



CR9201SS

Caple 900 Range 2 Cavity



TECHNICAL INFORMATION

Main oven features

Energy class C
8 Functions:
light
conventional heat
turbo conventional heat
fan heat
top plus fan heat
grill
turbo grill
turbo defrost
59 Litre capacity
Programmable electronic timer

Small oven features

Energy class B
3 Functions:
light
conventional heat
grill
35 Litre capacity

Hob features

5 Gas burners:
1 triple ring burner
1 rapid burner
2 semi-rapid burners
1 simmer burners
Cast iron pan supports
Auto electronic ignition

General features

Width 900mm
Fingerprint-proof stainless steel (CR9201SS)
Anthracite grey finish (CR9201AN)
Double glazed doors with heat reflective mirrored glass
Closed door grilling
Storage compartment
LPG jets included
Catalytic liners available
Cooling fans

Accessories

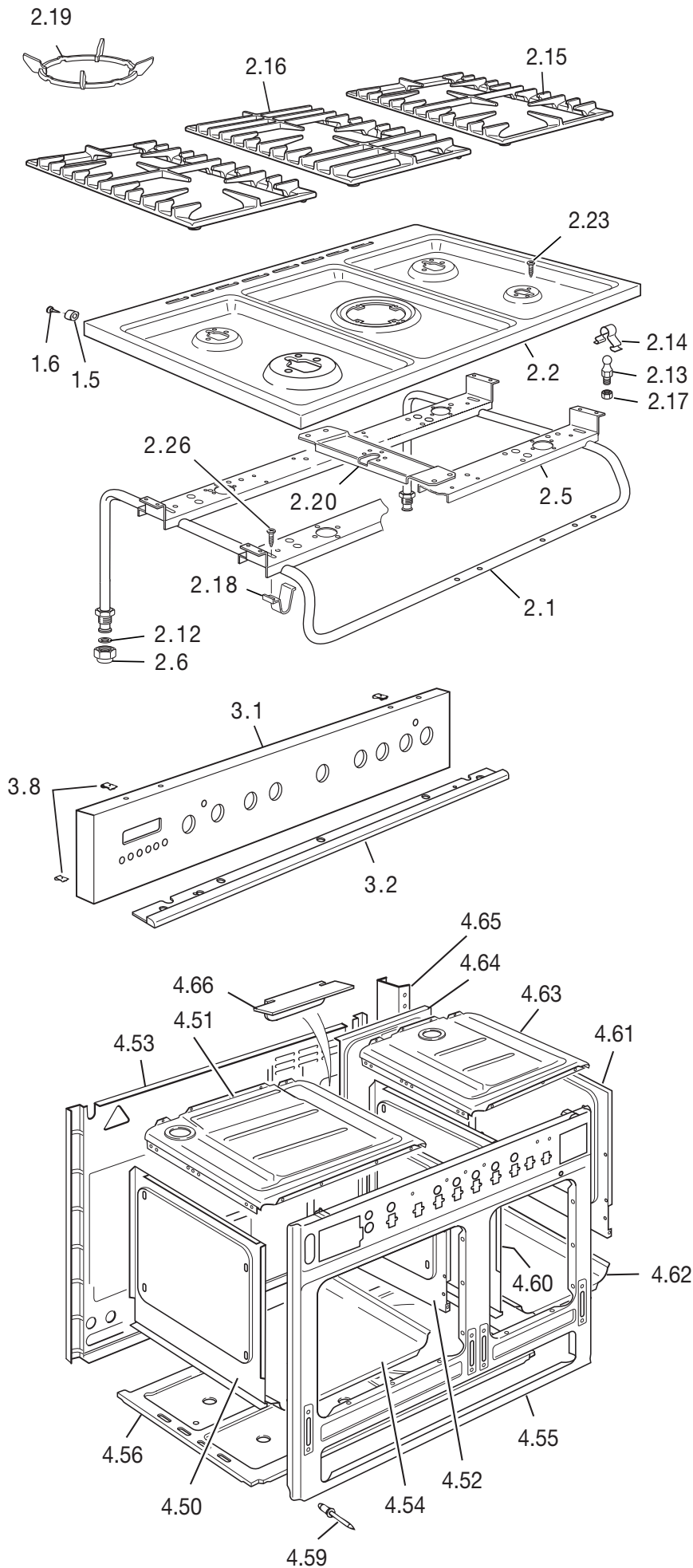
3 Shelves
2 Grill pans with handles
2 Enamelled baking trays

Electrical Connection

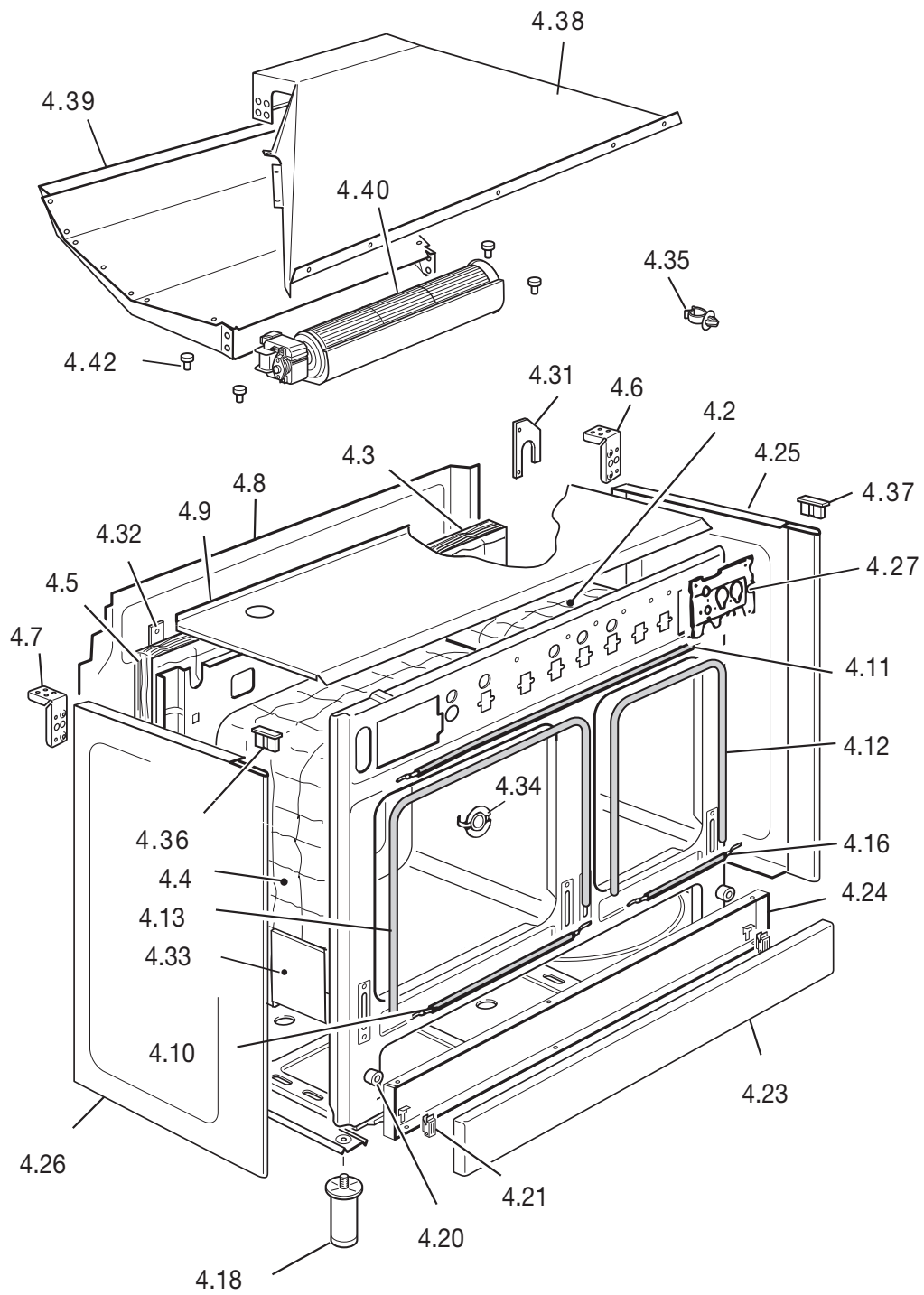
Voltage 230V
Rated load 4.09kW
Fuse rating 30A

Dimensions

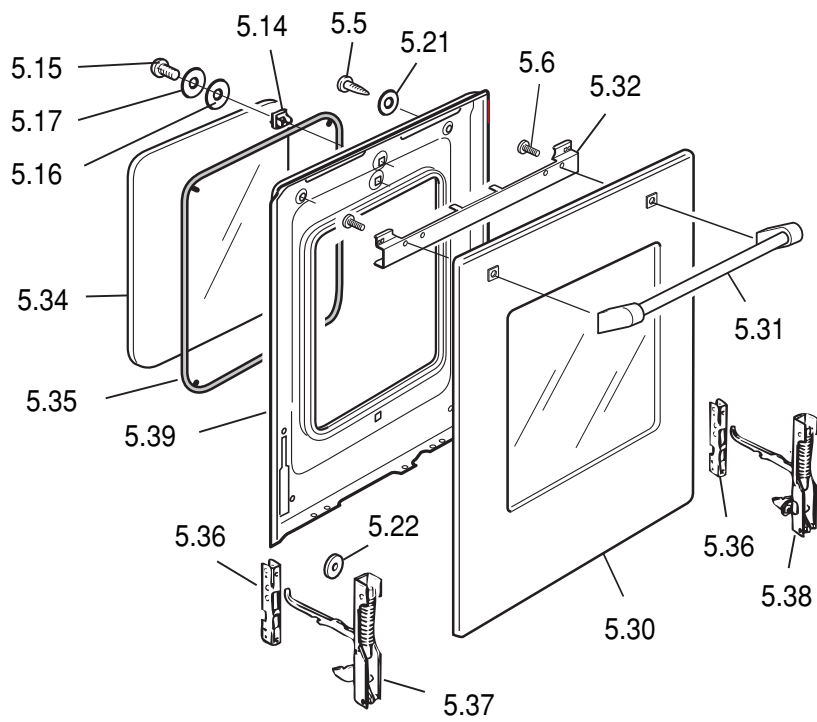
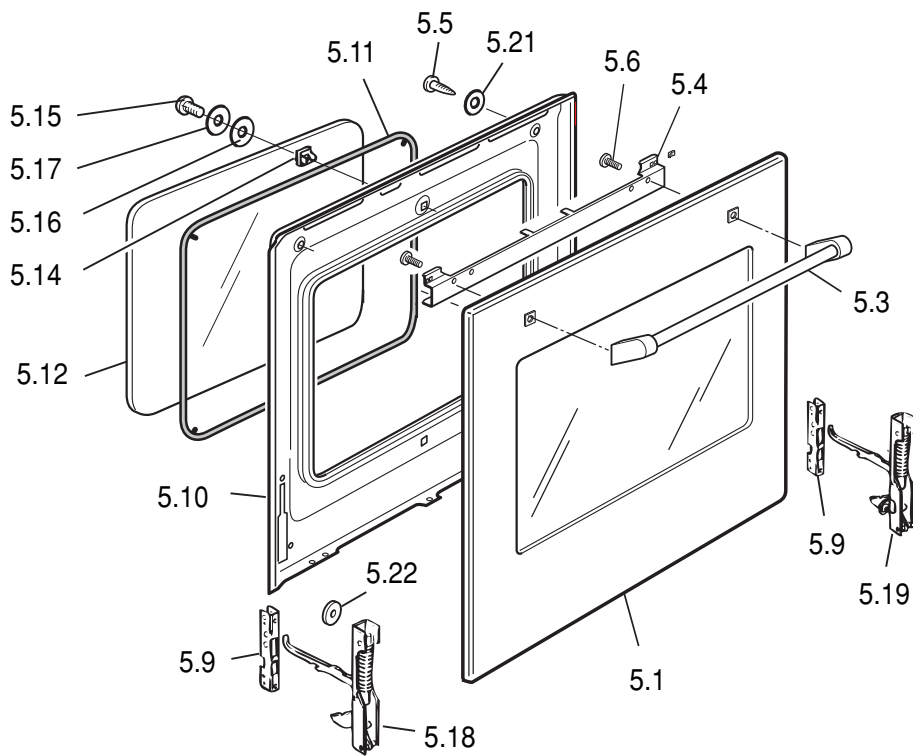
W 900mm, D 600mm, H 900 - 920mm



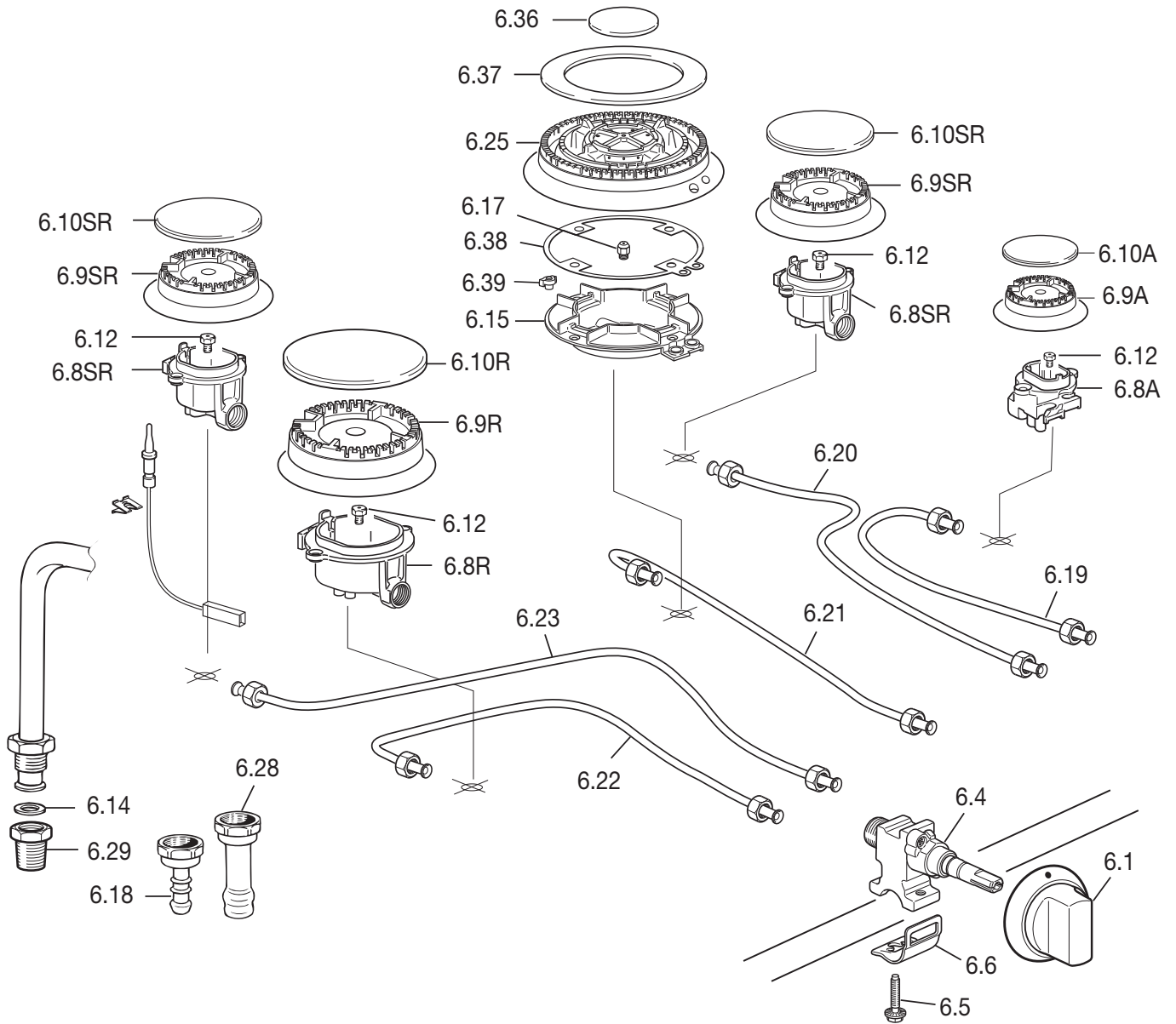
Ref.	Part description	Product code	
		C9T0CP014X	
		Feature	Part code
1.5	Plug		040041001
1.6	Stainless steel screw		001007
2.1	Manifold		3429S50001
2.2	Cooktop		3319S502S
2.5	Burners support		51B9S01
2.6	Inlet pipe plug		027015
2.12	Gasket		053024.1
2.13	Pin		103615
2.14	Spring		035100
2.15	Pan-support		217630
2.16	Central pan-support		217631
2.17	Nut		214062
2.18	Fixing plate		094473
2.19	Wok grid		217498
2.20	Cross-piece		51B9S05
2.23	Screw		001234.1
2.26	Screw		001167
3.1	Control panel		35N9159UCP
3.2	Control panel trim		103760
3.8	Clips		213007
4.50	Oven side panel (Left)		45EN6106K
4.51	Top oven panel		45EN6101K
4.52	Oven side panel (Right)		45EN6107K
4.53	Body rear panel		45H9S001K
4.54	Oven floor		47E6102K
4.55	Body front panel		45B9S001K
4.56	Lower element cover		45K96004Z
4.59	Rivet		211012
4.60	Oven side panel (Left)		45E65104K
4.61	Oven side panel (Right)		45E65105K
4.62	Oven floor		47E9S001K
4.63	Top oven panel		45E9T001K
4.64	Body rear panel		45H9T001K
4.65	Right oven shelter		4219S02Z
4.66	Right oven lower rear panel		4219S03Z



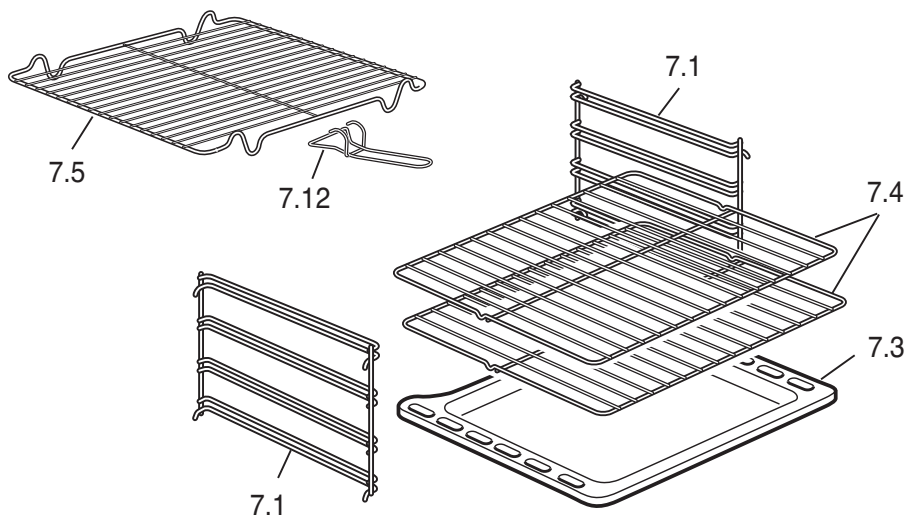
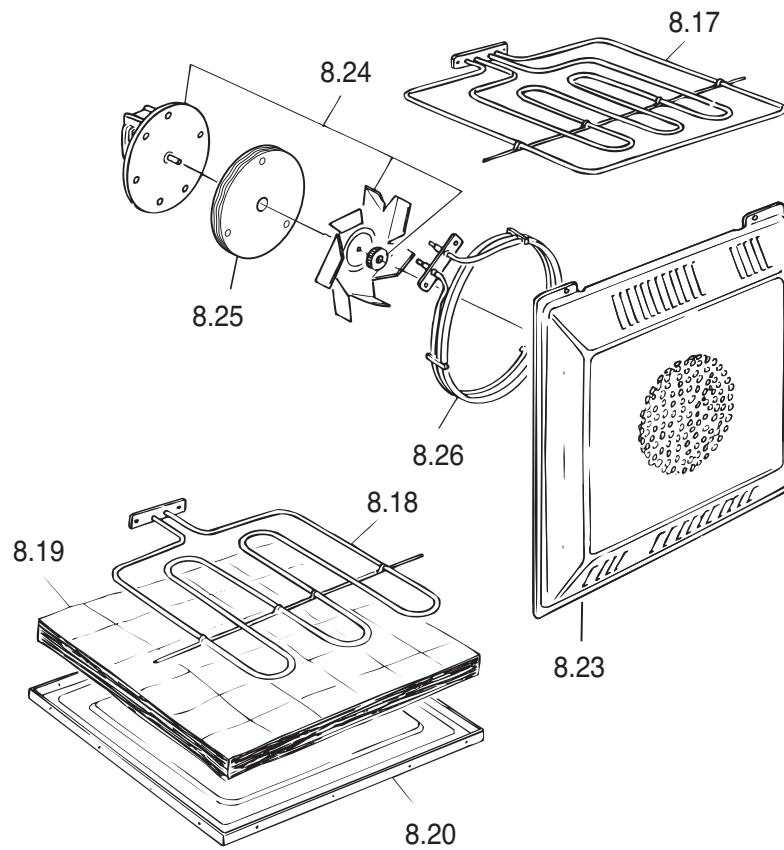
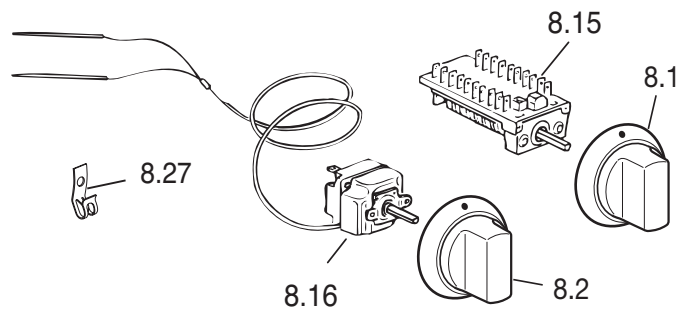
Ref.	Part description	Product code	
		C9T0CP014X	
		Feature	Part code
4.2	Oven insulation		030127.1
4.3	Rear insulation		030128.1
4.4	Oven insulation		030135.1
4.5	Rear insulation		030098.1
4.6	Rear right coupler		094417DX
4.7	Rear left coupler		094417SX
4.8	Rear panel		4119T02
4.9	Upper shelter		4219S01Z
4.10	Top/bottom seal		053074
4.11	Top seal		053095
4.12	Seal		053093
4.13	Seal		053039
4.16	Bottom seal		053094
4.18	Shim		103564
4.20	Buffer		040061
4.21	Hinge		063075
4.23	Front panel		371V969UCP
4.24	Inside panel		373V9601M
4.25	Side panel right		36C91D1S
4.26	Side panel left		36C91S1S
4.27	Bracket		094136
4.31	Bracket		094412
4.32	Rear insulation support		4219604Z
4.33	Hinge protection		58BN601
4.34	Rotisserie hole plug		035097
4.35	Tube retainer		531533
4.36	Left stopper		081084/NS
4.37	Right stopper		081083/NS
4.38	Air conveyor		46A9S02Z
4.39	Funnel		46A9S01Z
4.40	Tangential fan		079025
4.42	Vibration-damper buffer		040056
	Shim support		51B9604



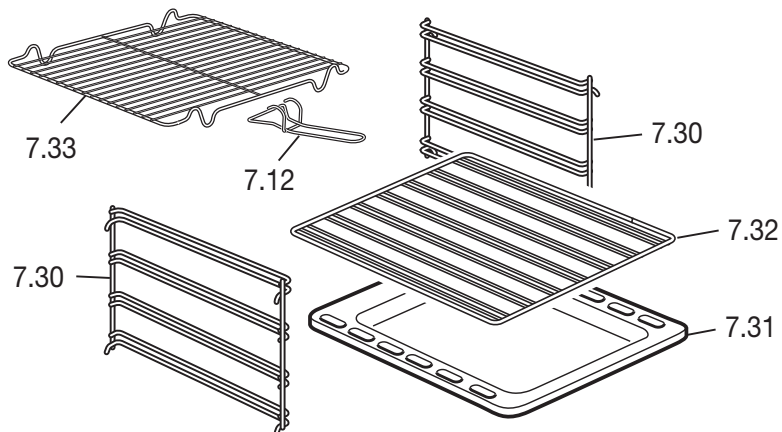
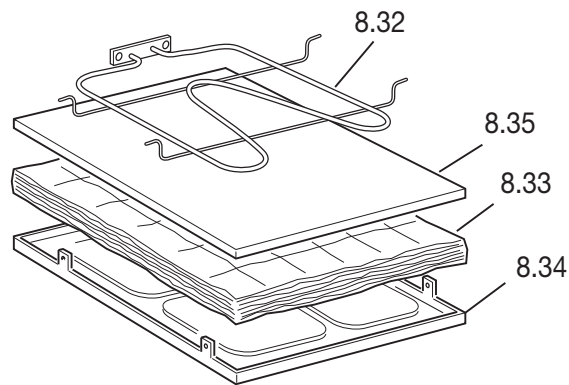
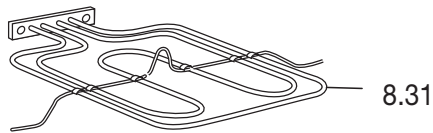
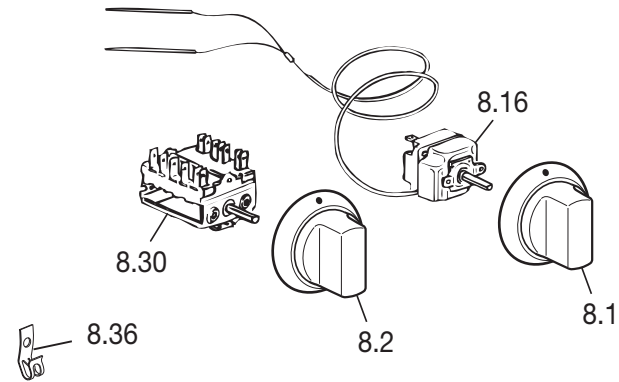
Ref.	Part description	Product code	
		C9T0CP014X	
		Feature	Part code
5.1	Door glass		032912158O
5.3	Door handle		037248062
5.4	Fixing bar		51B9102
5.5	Screw		001030
5.6	Screw		001056
5.9	Door hinge (female)		063109
5.10	Door panel		373F9104K
5.11	Gasket		053084
5.12	Inner glass		0311000.1T
5.14	Nut		214021
5.15	Screw		001143
5.16	Washer		003035
5.17	Washer		103205
5.18	Left door hinge (male)		063059/ZA
5.19	Right door hinge (male)		063058/ZA
5.21	Washer		003030
5.22	Washer R5,7x15		003041
5.30	Door glass		0329S2160O
5.31	Door handle		037251062
5.32	Fixing bar		51B9S04
5.34	Inner glass		0312159T
5.35	Gasket		053096
5.36	Door hinge (female)		063109
5.37	Left door hinge (male)		063111
5.38	Right door hinge (male)		063110
5.39	Door panel		373F9S01K



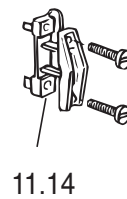
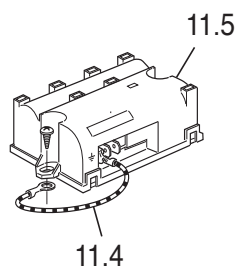
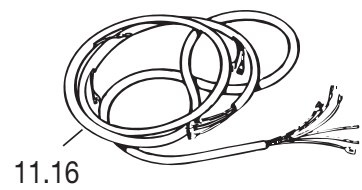
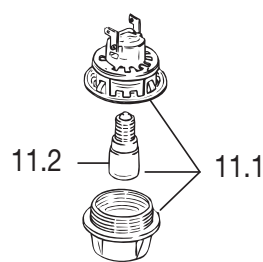
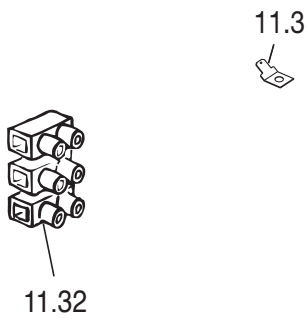
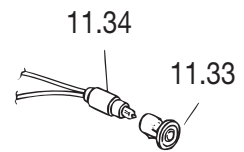
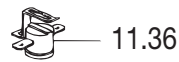
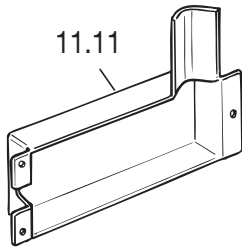
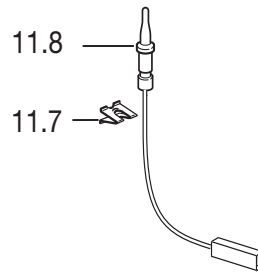
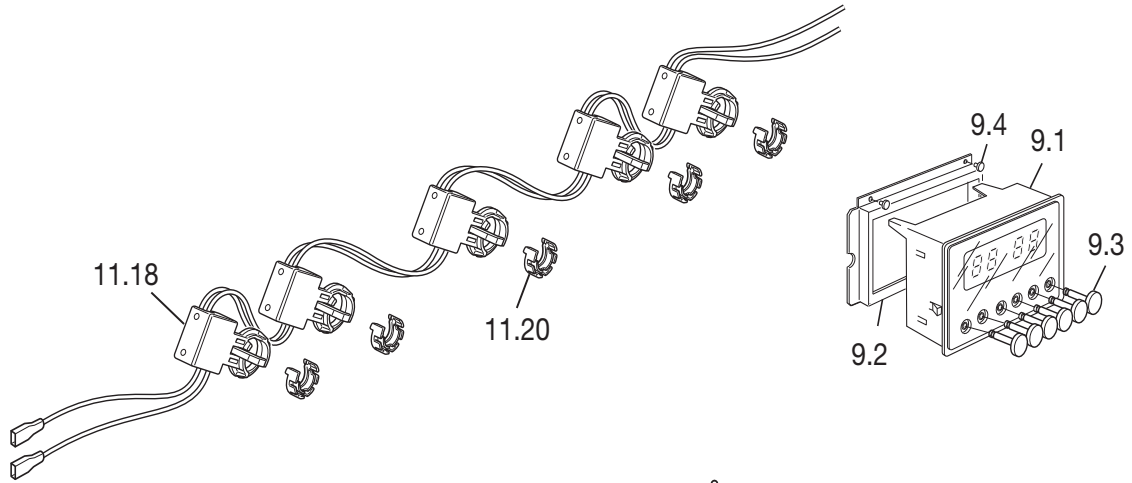
Ref.	Part description	Product code	
		C9T0CP014X	
		Feature	Part code
6.1	Burner knob		218G25A421
6.4	Tap	Ø 0.28	106266
		Ø 0.33	106267
		Ø 0.43	106268
		Ø 0.63	106269
6.5	Tap fixing screw		001282
6.6	Tap bracket		094653
6.8A	Burner-cup	A	215465
6.8SR	Burner-cup	SR	215466
6.8R	Burner-cup	R	215467
6.9R	Burner head	R	068111001
6.9SR	Burner head	SR	068110001
6.9A	Burner head	A	068109001
6.10A	Burner-cap	A	216129005A
6.10SR	Burner-cap	SR	216130005A
6.10R	Burner-cap	R	216131005A
6.12	Injector	Ø 0.72 - G20	101234
		Ø 0.97 - G20	101235
		Ø 1.15 - G20	101236
		Ø 0.50 - G30	101180
		Ø 0.65 - G30	101181
		Ø 0.85 - G30	101182
6.14	Elbow gasket		053024.1
6.15	Burner-cup	TR	215469
6.17	Injector	Ø 1.35 - G20	101237
		Ø 0.95 - G30	101233
6.18	LPG connection		027014
6.19	Inlet pipe - front right	A	029626
6.20	Inlet pipe - rear right	SR	029625
6.21	Inlet pipe - Central	TR	029634
6.22	Inlet pipe - front left	R	029635
6.23	Inlet pipe - rear left	SR	029622
6.25	Burner head	TR	068112001
6.28	Natural gas connection		027013
6.29	Connection		067026
6.36	Burner-cap inside	TR	216132005A
6.37	Burner-cap outside	TR	216133005A
6.38	Burner-cup gasket		053078
6.39	Stopper		040064



Ref.	Part description	Product code	
		C9T0CP014X	
		Feature	Part code
8.1	Oven thermostat knob		218G87A422
8.2	Oven switch knob		218G41A422
8.15	Oven switch		050028.1
8.16	Oven thermostat		066072
8.17	Top + grill element	230V	062103004
8.18	Bottom element	230V	062066004
8.19	Bottom element insulation		030083.1
8.20	Bottom insulation support		4216102Z
8.23	Fan diffuser		47AN601K
8.24	Fan motor		079008001F
8.25	Fan motor insulation		030136.1
8.26	Fan element	230 V	062057004
8.27	Clips		213015
			213023
7.1	Shelf support		217291
7.3	Oven tray		48B6101K
7.4	Oven shelf		217220
7.5	Grill-pan grid		217397
7.12	Grill-pan grid handle		037144

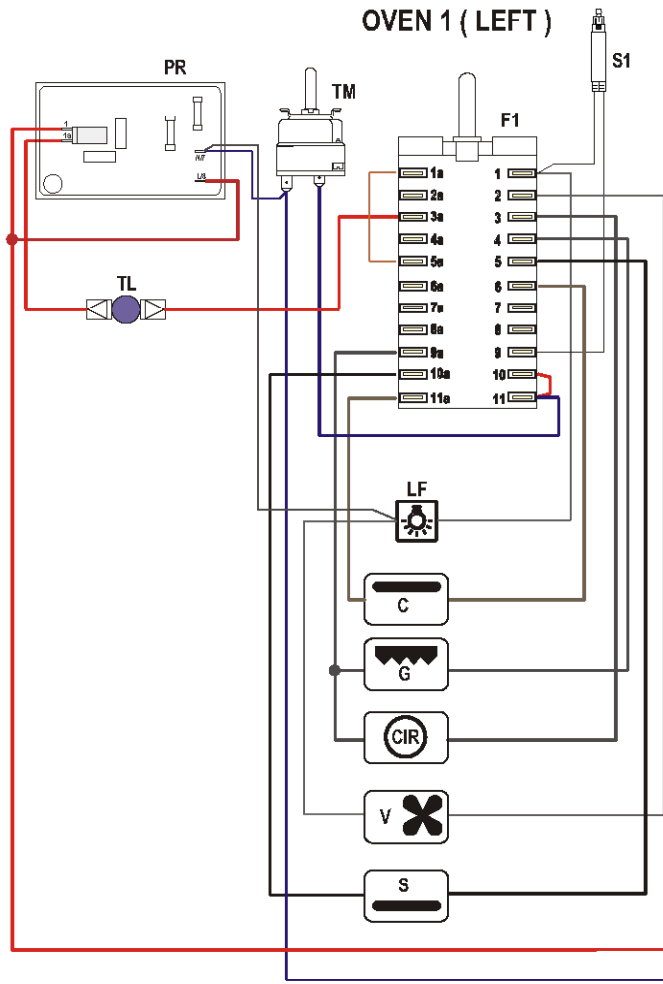


Ref.	Part description	Product code	
		C9T0CP014X	
		Feature	Part code
8.1	Oven thermostat knob		218G87A422
8.2	Oven switch knob		218G19A422
8.16	Oven thermostat		066072
8.30	Oven switch		050040.1
8.31	Top + grill element		062102004
8.32	Bottom element	230V	062096004
8.33	Bottom element insulation	230V	030129.1
8.34	Bottom element support		4219S04Z
8.35	Bottom element protection		4219S05Z
8.36	Clip		213025
7.12	Grill-pan grid handle		037144
7.30	Shelf support		217307
7.31	Oven tray		48B9S001K
7.32	Oven shelf		217542
7.33	Grill-pan grid		217537

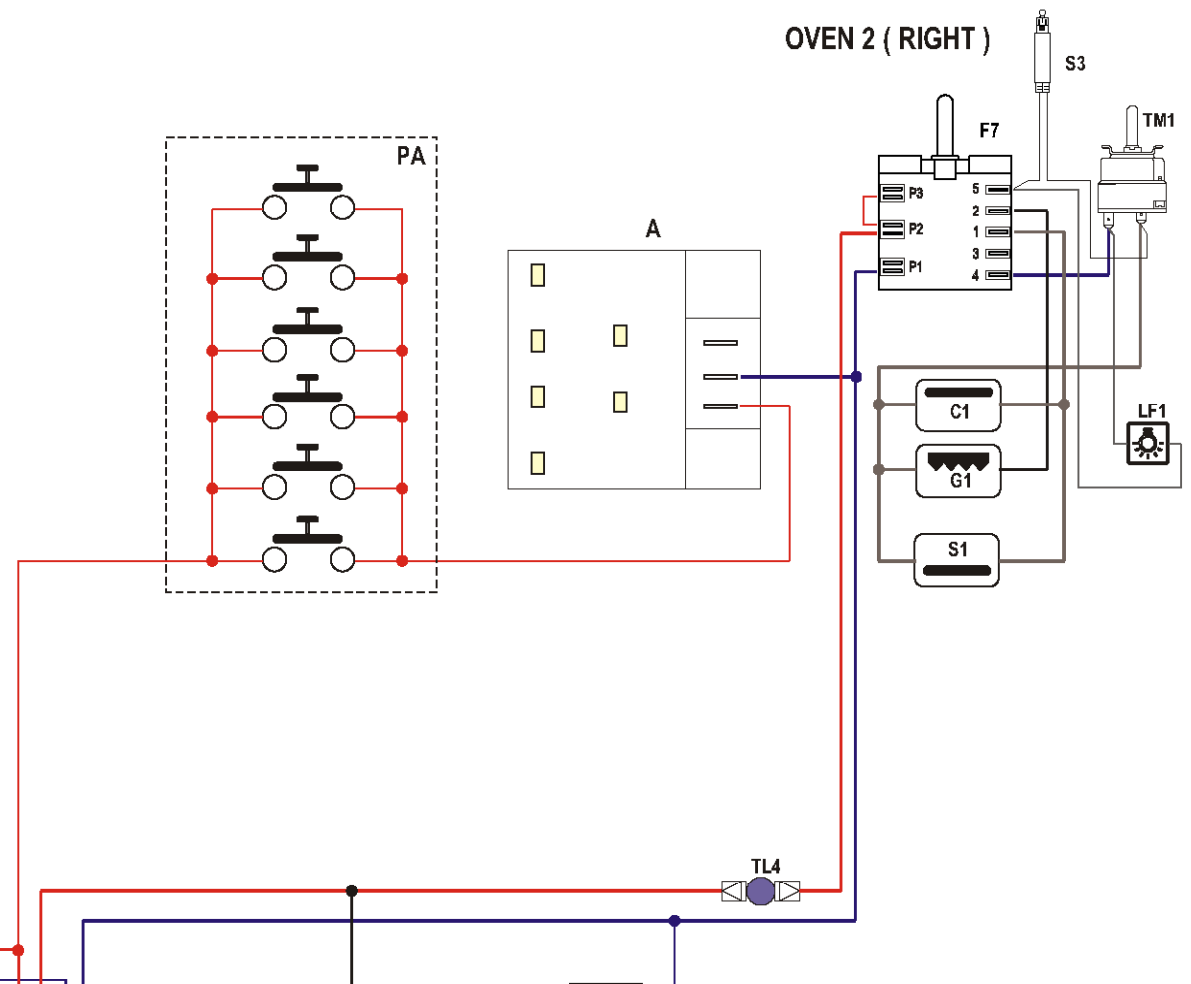


Ref.	Part description	Product code	
		C9T0CP014X	
		Feature	Part code
9.1	Electronic timer		074041
9.2	Electronic timer seal		094363
9.3	Button		10327100X
9.4	Protection		040056
11.1	Lamp holder		072003
11.2	Lamp - 15 W		073013001
11.3	Earth plate		094221
11.4	Burner ignition coil cable		103288
11.5	6 burners ignition coil		082048.1
11.7	Igniter spring		035094
11.8	Igniter	L = 630	084029
		TR - L = 500	084033
		L = 900	084036
11.11	Terminal block protection		103230.1A
11.14	Wire fastener		052008
11.16	Wiring		1131426
11.18	Ignition switches		1031237
11.20	Retaining ring		003077
11.32	Terminal block	25A - 3P	051049
11.33	Control lamp cover - Red		07306202.2
11.34	Control lamp	L = 200	073039.2
11.36	Cut-off thermostat	160°	066123
		150°	066073
		80°	066145
-	Instruction booklet		1102940

OVEN 1 (LEFT)



OVEN 2 (RIGHT)



ELECTRIC DIAGRAM KEY

- A Ignition coil
- PA Ignition switches
- TL1/2 Cooling fan thermolimitors
- CF Cooling fan
- M Terminal block
- T Hearth connection

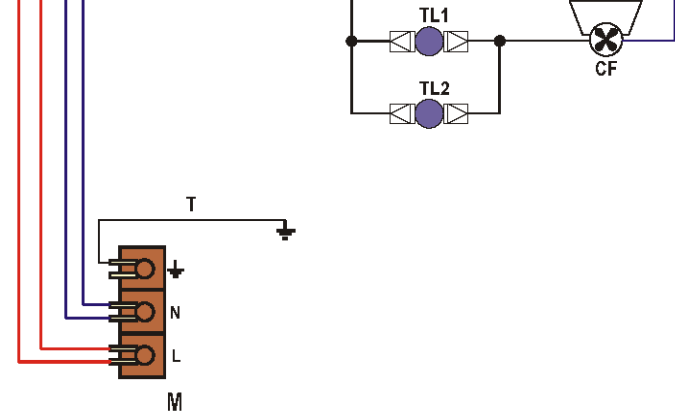
- G Grill element
- CIR Circular element
- V Fan
- S Bottom element

RIGHT OVEN

- F7 Oven switch
- TM1 Oven thermostat
- TL4 Thermal overload
- S3 Thermostat pilot lamp
- LF1 Oven Lamp
- S1 Top element
- G1 Grill element
- S1 Bottom element

LEFT OVEN

- F1 Oven switch
- TM Oven thermostat
- PR Programmer
- TL Thermal overload
- LF Oven lamp
- S1 Thermostat pilot lamp
- C Top element



caple

CR9201SS

Caple 900 Range 2 Cavity