



# CR9201SS

Caple 900 Range 2 Cavity



TECHNICAL INFORMATION

### Main oven features

Energy class C  
8 Functions:  
light  
conventional heat  
turbo conventional heat  
fan heat  
top plus fan heat  
grill  
turbo grill  
turbo defrost  
59 Litre capacity  
Programmable electronic timer

### Small oven features

Energy class B  
3 Functions:  
light  
conventional heat  
grill  
35 Litre capacity

### Hob features

5 Gas burners:  
1 triple ring burner  
1 rapid burner  
2 semi-rapid burners  
1 simmer burners  
Cast iron pan supports  
Auto electronic ignition

### General features

Width 900mm  
Fingerprint-proof stainless steel (CR9201SS)  
Anthracite grey finish (CR9201AN)  
Double glazed doors with heat reflective mirrored glass  
Closed door grilling  
Storage compartment  
LPG jets included  
Catalytic liners available  
Cooling fans

### Accessories

3 Shelves  
2 Grill pans with handles  
2 Enamelled baking trays

### Electrical Connection

Voltage 230V  
Rated load 4.09kW  
Fuse rating 30A

### Dimensions

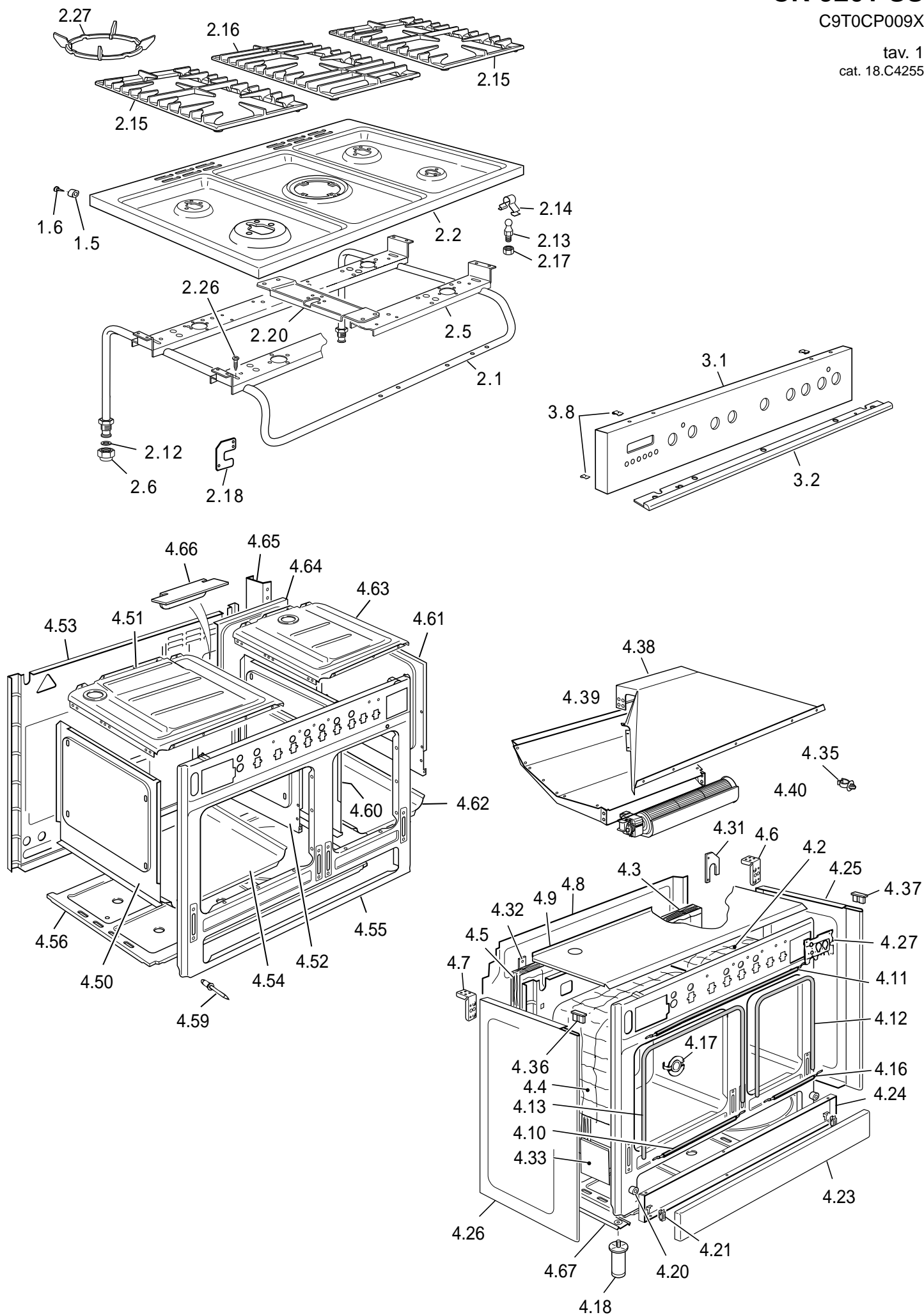
W 900mm, D 600mm, H 900 - 920mm

# CR 9201 SS

C9T0CP009X

tav. 1

cat. 18.C4255



REF.	CODE	DESCRIPTION
1.5	040041001	Plug
1.6	001007	Stainless steel screw
2.1	3429S50001	Manifold
2.2	3319S502S	Cooktop
2.5	51B9S01	Burners support
2.6	027015	Inlet pipe plug
2.12	053024.1	Gasket
2.13	103615	Pin
2.14	035100	Spring
2.15	217630	Pan-support
2.16	217631	Pan-support
2.17	214062	Nut
2.18	094473	Fixing plate
2.20	51B9S05	Cross-piece
2.24	001234.1	Screw
2.26	001167	Screw
2.27	217498	Wok grid
3.1	35N9159UCP	Control panel
3.2	103760	Control panel trim
3.8	213007	Clips
4.2	030127.1	Oven insulation
4.3	030128.1	Rear insulation
4.4	030135.1	Oven insulation
4.5	030098.1	Rear insulation
4.6	094417DX	Rear right coupler
4.7	094417SX	Rear left coupler
4.8	4119T02	Rear panel
4.9	4219S01Z	Upper shelter
4.10	053074	Top/bottom seal
4.11	053095	Top seal
4.12	053093	Seal
4.13	053039	Seal
4.16	053094	Bottom seal
4.17	035097	Rotisserie hole plug
4.18	103564	Shim
4.20	040061	Buffer
4.21	063075	Hinge
4.23	371V969UCP	Front panel
4.24	373V9601M	Inside panel
4.25	36C91D1S	Side panel right
4.26	36C91S1S	Side panel left
4.27	094136	Bracket
4.31	094412	Bracket
4.32	4219604Z	Rear insulation support
4.33	58BN601	Hinge protection plate (lateral)
4.35	531533	Tube retainer
4.36	081084/NS	Left stopper
4.37	081083/NS	Right stopper
4.38	46A9S02Z	Air conveyor
4.39	46A9S01Z	Funnel
4.40	079025	Tangential fan
	040056	Vibration-damper buffer

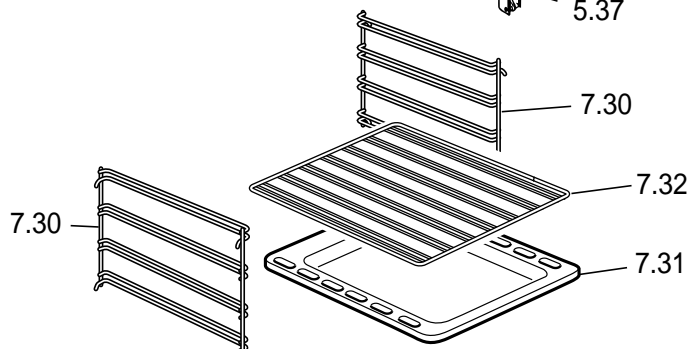
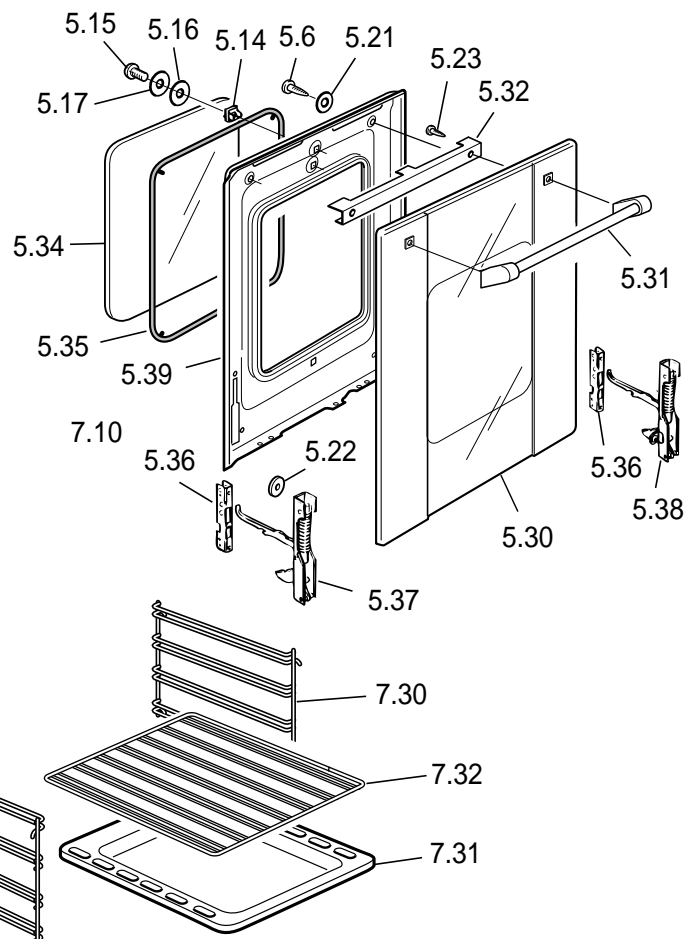
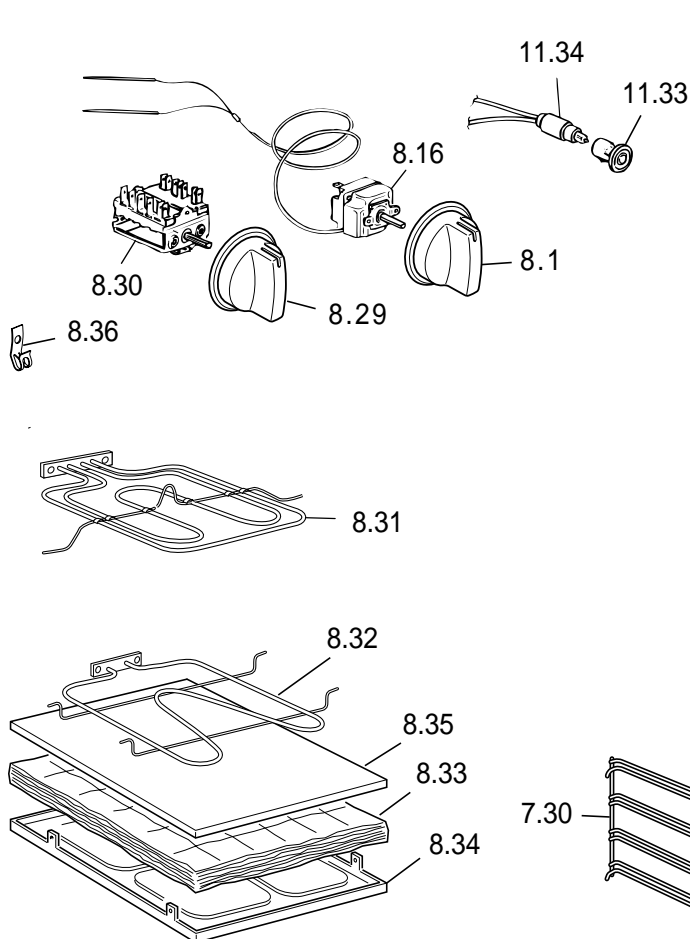
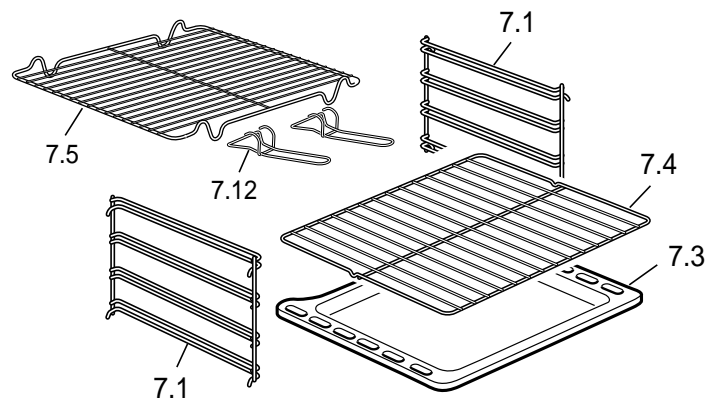
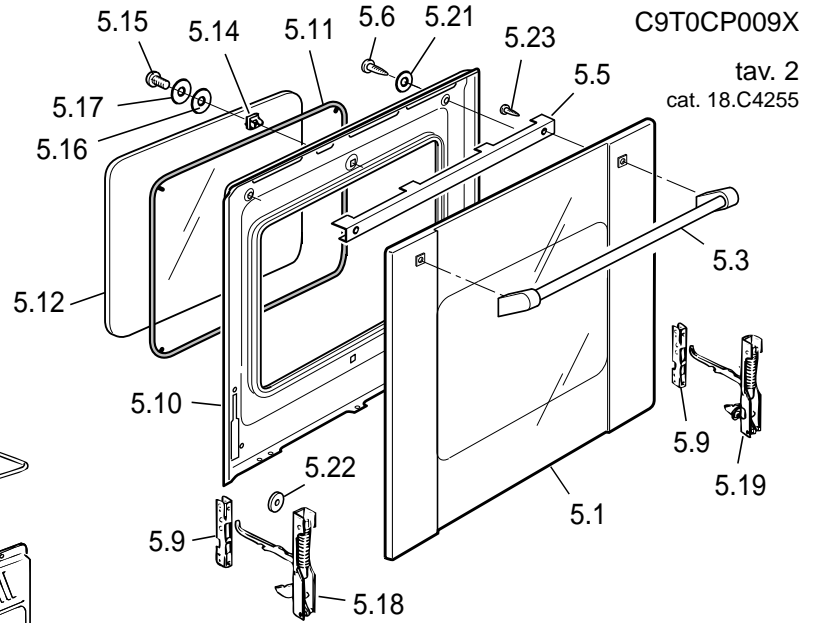
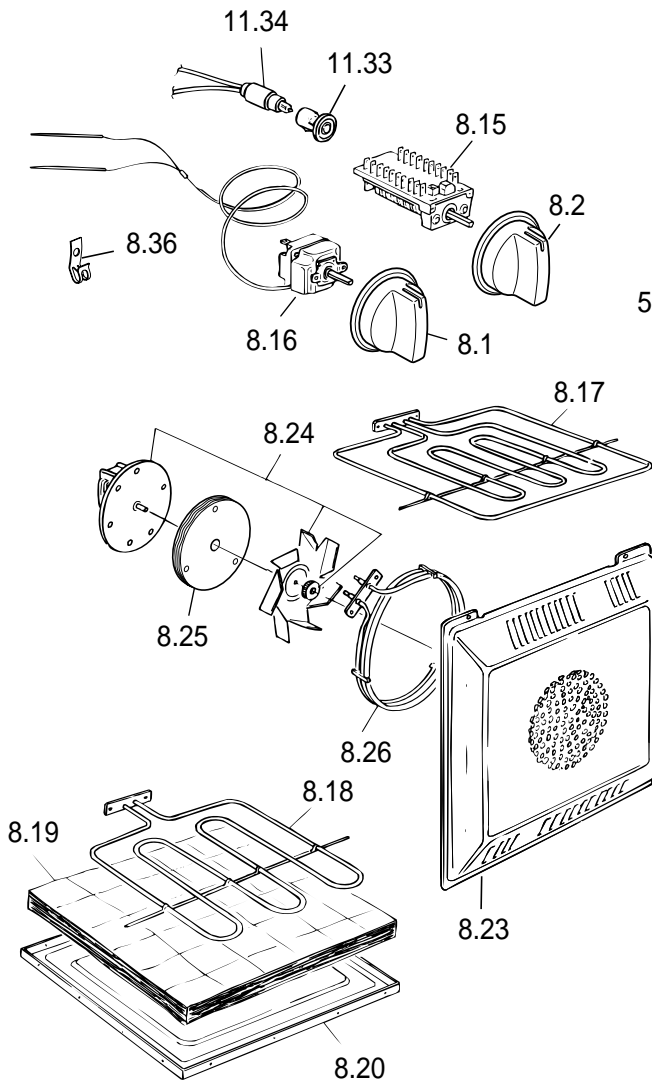
REF.	CODE	DESCRIPTION
4.50	45EN6106K	Oven side panel (Left)
4.51	45EN6101K	Top oven panel
4.52	45EN6107K	Oven side panel (Right)
4.53	45H9S001K	Body rear panel
4.54	47E6102K	Oven floor
4.55	45B9S001K	Body front panel
4.56	45K96004Z	Lower element cover
4.59	211012	Rivet
4.60	45E65104K	Oven side panel (Left)
4.61	45E65105K	Oven side panel (Right)
4.62	47E9S001K	Oven floor
4.63	45E9T001K	Top oven panel
4.64	45H9T001K	Body rear panel
4.65	4219S02Z	Right oven shelter
4.66	4219S03Z	Right oven lower rear panel
4.67	51B9604	Shim support

# CR 9201 SS

C9T0CP009X

tav. 2

cat. 18.C4255

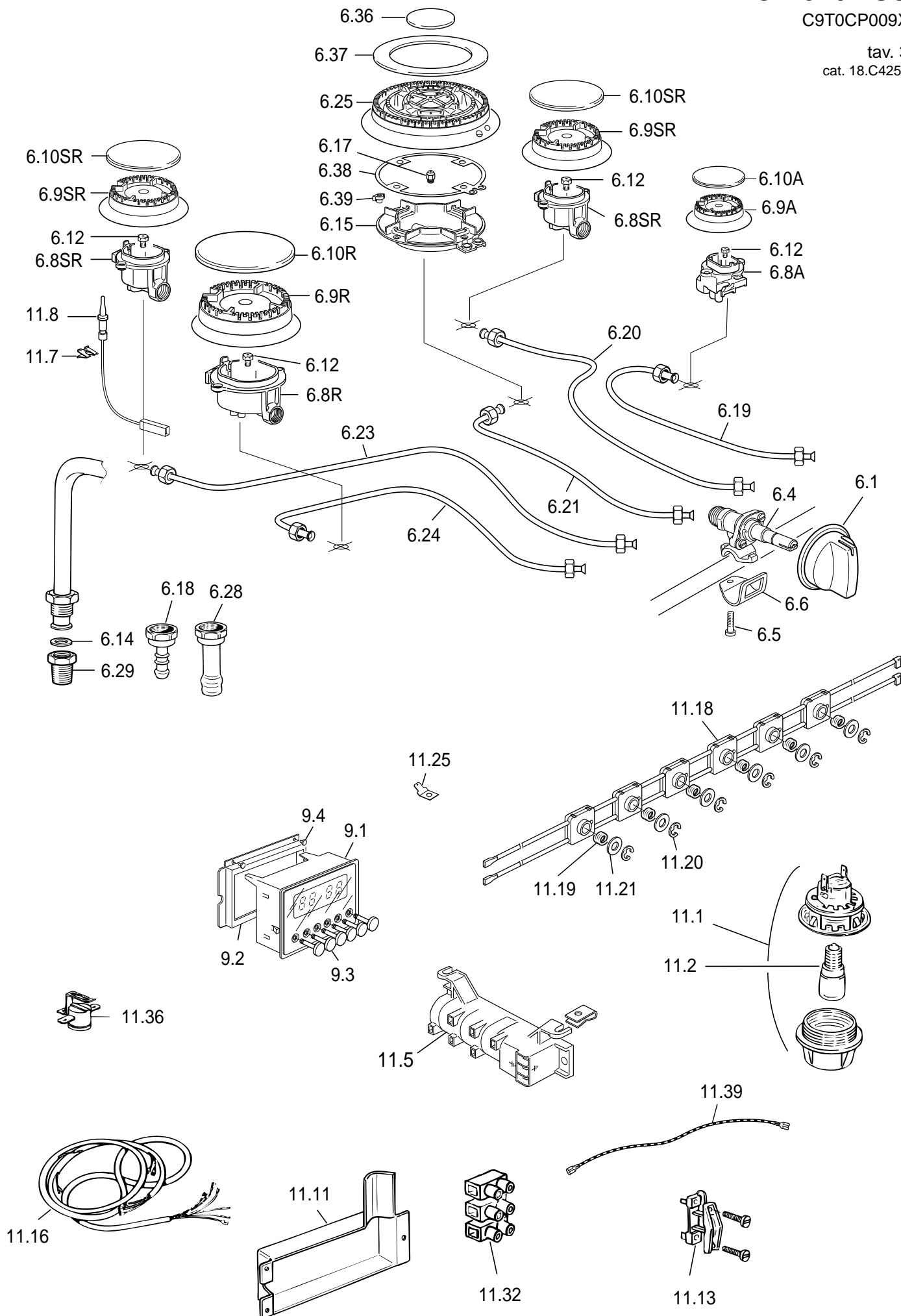


REF.	CODE	DESCRIPTION
5.1	032912158O	Door glass
5.3	037248062	Door handle
5.5	51B9102	Fixing bar
5.6	001030	Screw
5.9	063109	Door hinge (female)
5.10	373F9104K	Door panel
5.11	053084	Gasket
5.12	0311000.1T	Inner glass
5.14	214021	Nut
5.15	001143	Screw
5.16	003035	Washer
5.17	103205	Washer
5.18	063059/ZA	Left door hinge (male)
5.19	063058/ZA	Right door hinge (male)
5.21	003030	Washer
5.22	003041	Washer R 5,7x15
5.23	001056	Screw
5.30	0329S2160O	Door glass
5.31	037251062	Door handle
5.32	51B9S04	Fixing bar
5.34	0312159T	Inner glass
5.35	053096	Gasket
5.36	063109	Door hinge (female)
5.37	063111	Left door hinge (male)
5.38	063110	Right door hinge (male)
5.39	373F9S01K	Door panel
7.1	217291	Shelf support
7.3	48B6101K	Oven tray
7.4	217220	Oven shelf
7.5	217397	Grill-pan grid
7.12	037144	Grill-pan grid handle
7.30	217307	Shelf support
7.31	48B9S001K	Oven tray
7.32	217542	Oven shelf
7.33	217537	Grill-pan grid
8.1	218G87A422	Knob oven thermostat
8.2	218G41A422	Knob oven switch
8.15	050028.1	Oven switch
8.16	066072	Oven thermostat
8.17	062103004	Top + grill element - 230V
8.18	062066004	Bottom element - 230V
8.19	030083.1	Bottom element insulation
8.20	4216102Z	Bottom element support
8.23	47AN601K	Fan diffuser
8.24	079008001F	Complete oven fan - 220/240V
8.25	030136.1	Fan motor insulation
8.26	062057004	Fan element
8.27	213015	Clip
=	213023	Clip
8.29	218G19A422	Knob oven switch
8.30	050040.1	Oven switch
8.31	062102004	Top + grill element
8.32	062096004	Bottom element
8.33	030129.1	Bottom element insulation
8.34	4219S04Z	Bottom element support
8.35	4219S05Z	Bottom element protection
8.36	213025	Clip
11.33	07306202.2	Control lamp cover - Red
11.34	073039.2	Control lamp L=230

# CR 9201 SS

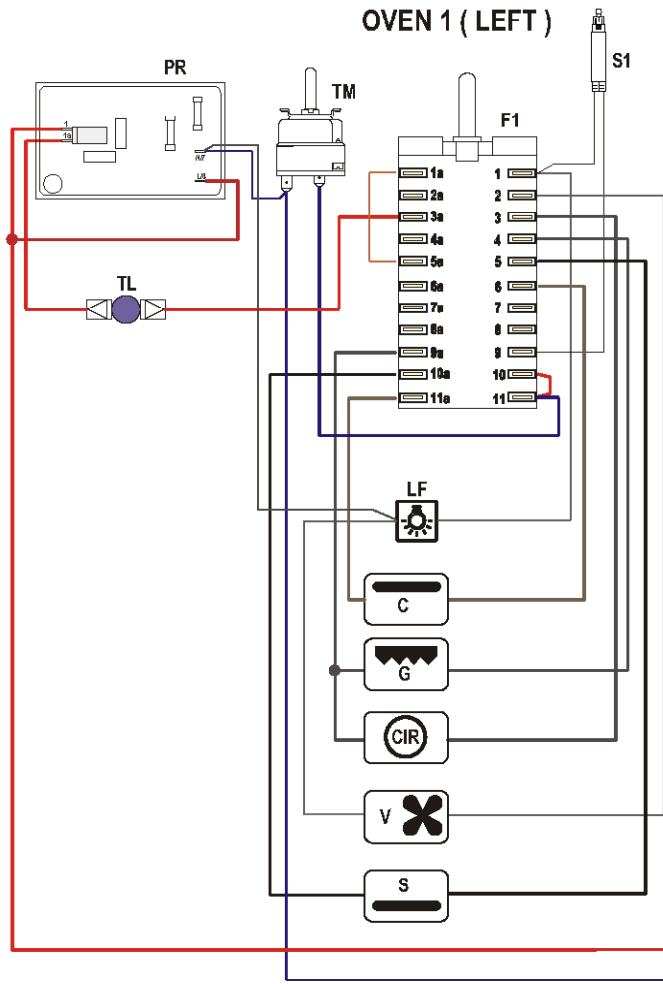
C9T0CP009X

tav. 3  
cat. 18.C4255

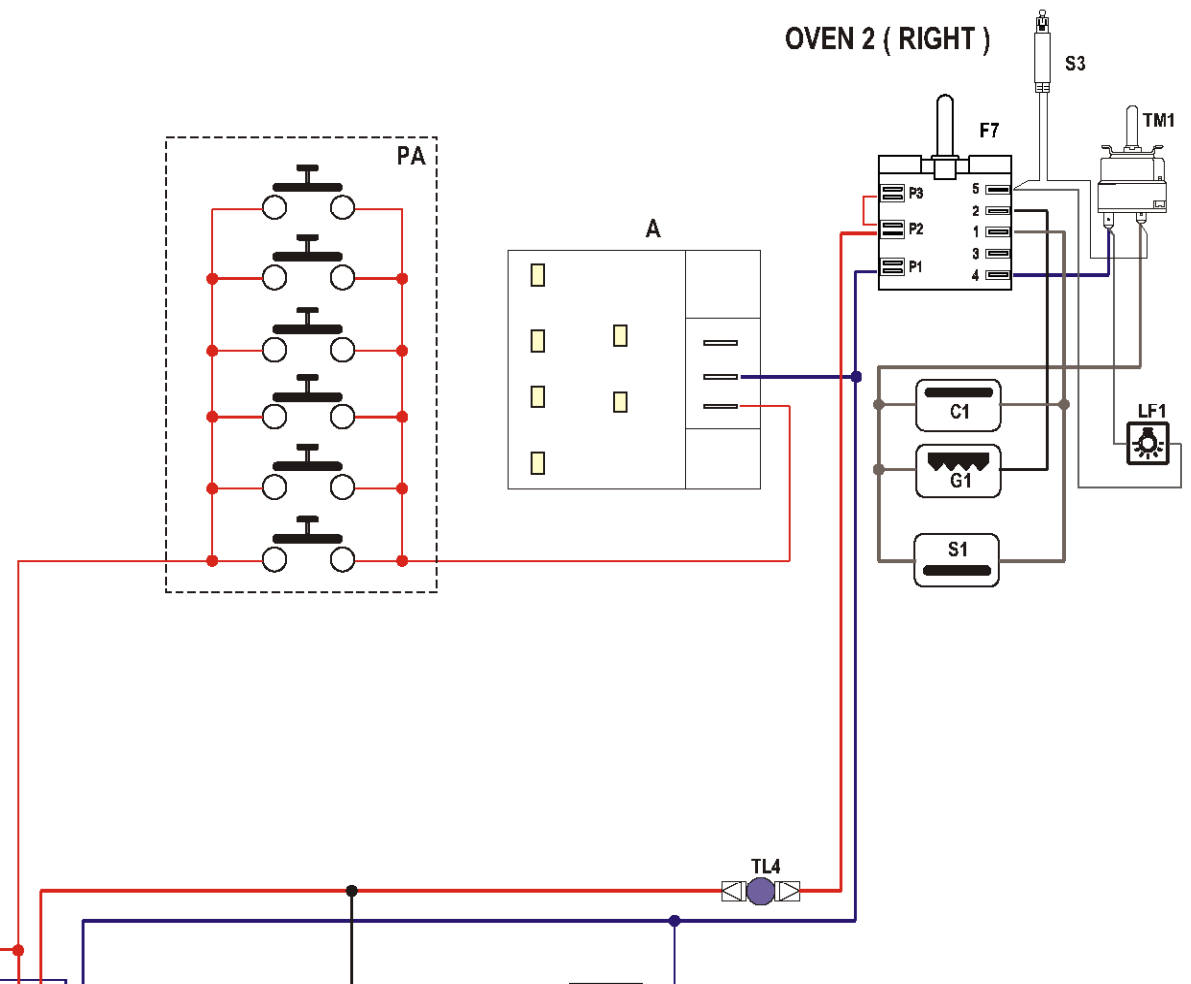


REF.	CODE	DESCRIPTION
6.1	218G25A421	Burner knob
6.4	106240	Tap - Ø 0.27
=	106241	Tap - Ø 0.32
=	106242	Tap - Ø 0.42
=	106243	Tap - Ø 0.65
6.5	001233	Tap fixing screw
6.6	094382	Tap bracket
6.8A	215465	A burner-cup
6.8SR	215466	SR burner-cup
6.8R	215467	R burner-cup
6.9R	068111001	R burner head
6.9SR	068110001	SR burner head
6.9A	068109001	A burner head
6.10A	216129005A	A burner-cap
6.10SR	216130005A	SR burner-cap
6.10R	216131005A	R burner-cap
6.12	101234	Injector - Ø 0.72 - G20
=	101235	Injector - Ø 0.97 - G20
=	101236	Injector - Ø 1.15 - G20
6.12	101180	Injector - Ø 0.50 - G30
=	101181	Injector - Ø 0.65 - G30
=	101182	Injector - Ø 0.85 - G30
6.14	053024.1	Elbow gasket
6.15	215469	Burner-cup TR
6.17	101237	Injector - Ø 1.35
=	101233	TR injector - Ø 0.95 - G30
6.18	027014	LPG connection
6.19	029626	A inlet pipe - front right
6.20	029625	SR inlet pipe - rear right
6.22	029634	TR inlet pipe - central
6.23	029622	SR inlet pipe - rear left
6.24	029635	R inlet pipe - rear left
6.25	068112001	TR burner head
6.28	027013	Natural gas connection
6.29	067026	Connection
6.36	216132005A	Burner-cap inside TR
6.37	216133005A	Burner-cap outside TR
6.38	053078	Burner-cup gasket
6.39	040064	Blanking rubber
9.1	074041	Electronic timer
9.2	094363	Electronic timer seal
9.3	10327100X	Button
9.4	040056	Protection
11.1	072003	Lamp holder
11.2	073013001	Lamp
11.5	082048.1	Burners ignition coil
11.7	035094	Igniter spring
11.8	084029	Igniter - L = 630 mm
=	084033	Igniter TR - L = 500 mm
=	084036	Igniter - L = 900 mm
11.11	103230.1A	Terminal block protection
11.13	052008	Wire fastener
11.16	1131426	Wiring
11.18	103664	Ignition switches
11.19	035080	Ignition switches spring
11.20	003039	Retaining ring
11.21	003038	Washer
11.25	094221	Earth plate
11.32	051049	Terminal block 25A - 3P
11.36	066123	Cut-off thermostat 160°
=	066145	Cut-off thermostat 80°
=	066073	Cut-off thermostat 150°
11.39	103288	Igniter earth cable
-	1102940	Instruction booklet

### OVEN 1 ( LEFT )



### OVEN 2 ( RIGHT )



#### ELECTRIC DIAGRAM KEY

A Ignition coil  
 PA Ignition switches  
 TL1/2 Cooling fan thermolimitors  
 CF Cooling fan  
 M Terminal block  
 T Hearth connection

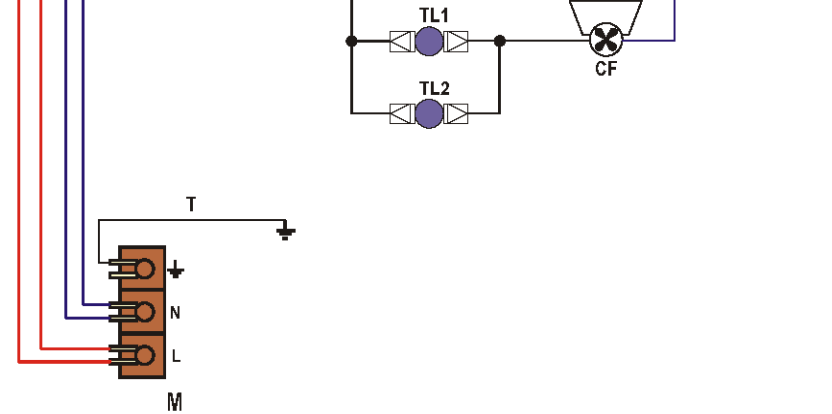
G Grill element  
 CIR Circular element  
 V Fan  
 S Bottom element

#### RIGHT OVEN

F7 Oven switch  
 TM1 Oven thermostat  
 TL4 Thermal overload  
 S3 Thermostat pilot lamp  
 LF1 Oven Lamp  
 C1 Top element  
 G1 Grill element  
 S1 Bottom element

#### LEFT OVEN

F1 Oven switch  
 TM Oven thermostat  
 PR Programmer  
 TL Thermal overload  
 LF Oven lamp  
 S1 Thermostat pilot lamp  
 C Top element



**caple**  
**CR9201SS**  
 Caple 900 Range 2 Cavity