



CR9201AN

Caple 900 Range 2 Cavity



TECHNICAL INFORMATION

Main oven features

Energy class C
8 Functions:
light
conventional heat
turbo conventional heat
fan heat
top plus fan heat
grill
turbo grill
turbo defrost
59 Litre capacity
Programmable electronic timer

Small oven features

Energy class B
3 Functions:
light
conventional heat
grill
35 Litre capacity

Hob features

5 Gas burners:
1 triple ring burner
1 rapid burner
2 semi-rapid burners
1 simmer burners
Cast iron pan supports
Auto electronic ignition

General features

Width 900mm
Fingerprint-proof stainless steel (CR9201SS)
Anthracite grey finish (CR9201AN)
Double glazed doors with heat reflective mirrored glass
Closed door grilling
Storage compartment
LPG jets included
Catalytic liners available
Cooling fans

Accessories

3 Shelves
2 Grill pans with handles
2 Enamelled baking trays

Electrical Connection

Voltage 230V
Rated load 4.09kW
Fuse rating 30A

Dimensions

W 900mm, D 600mm, H 900 - 920mm

CR 9201 AN

C9T0CP010A

tav. 1

cat. 18.C4256



REF.	CODE	DESCRIPTION
1.5	040041001	Plug
1.6	001007	Stainless steel screw
2.1	3429S50001	Manifold
2.2	3319S502S	Cooktop
2.5	51B9S01	Burners support
2.6	027015	Inlet pipe plug
2.12	053024.1	Gasket
2.13	103615	Pin
2.14	035100	Spring
2.15	217630	Pan-support
2.16	217631	Pan-support
2.17	214062	Nut
2.18	094473	Fixing plate
2.20	51B9S05	Cross-piece
2.24	001234.1	Screw
2.26	001167	Screw
2.27	217498	Wok grid
3.1	35C9159ACP	Control panel
3.2	103631	Control panel trim
3.8	213007	Clips
4.2	030127.1	Oven insulation
4.3	030128.1	Rear insulation
4.4	030135.1	Oven insulation
4.5	030098.1	Rear insulation
4.6	094417DX	Rear right coupler
4.7	094417SX	Rear left coupler
4.8	4119T02	Rear panel
4.9	4219S01Z	Upper shelter
4.10	053074	Top/bottom seal
4.11	053095	Top seal
4.12	053093	Seal
4.13	053039	Seal
4.16	053094	Bottom seal
4.17	035097	Rotisserie hole plug
4.18	103564	Shim
4.20	040061	Buffer
4.21	063075	Hinge
4.23	371V969AC1	Front panel
4.24	373V9601M	Inside panel
4.25	36C91D1A	Side panel right
4.26	36C91S1A	Side panel left
4.27	094136	Bracket
4.31	094412	Bracket
4.32	4219604Z	Rear insulation support
4.33	58BN601	Hinge protection plate (lateral)
4.35	531533	Tube retainer
4.36	081084/NS	Left stopper
4.37	081083/NS	Right stopper
4.38	46A9S02Z	Air conveyor
4.39	46A9S01Z	Funnel
4.40	079025	Tangential fan
4.41	053092	Funnel gasket
4.42	053097	Vibration-damper

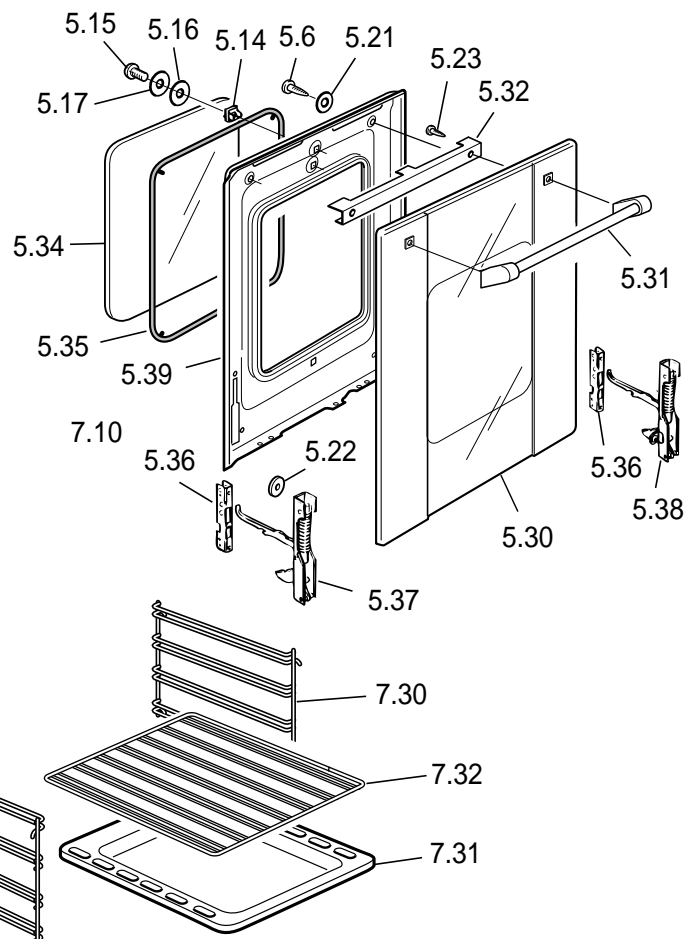
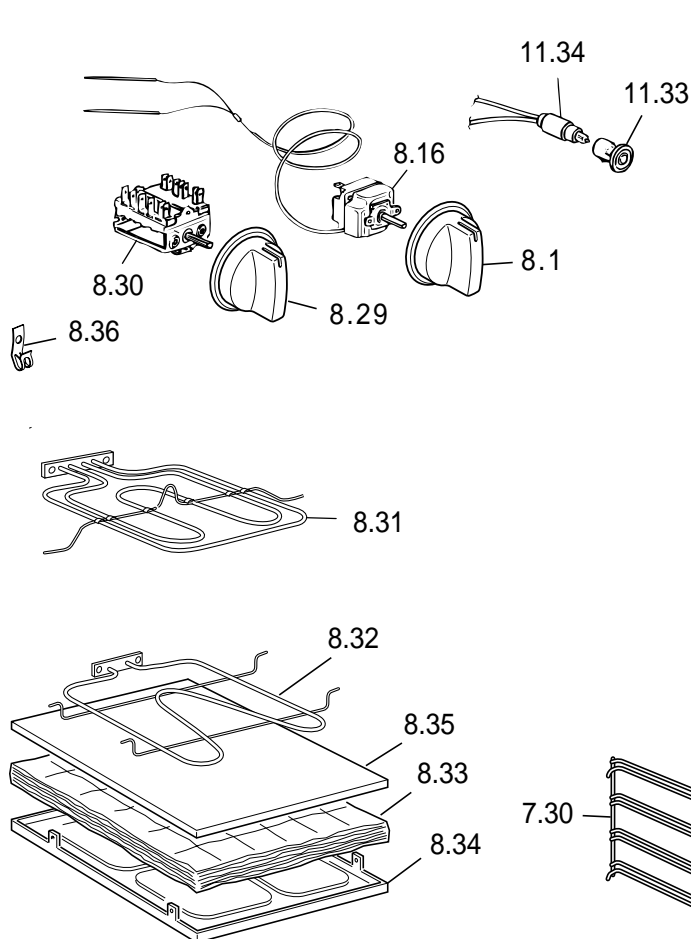
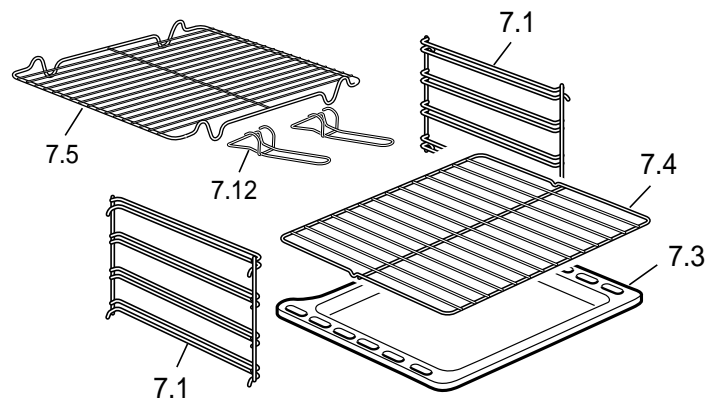
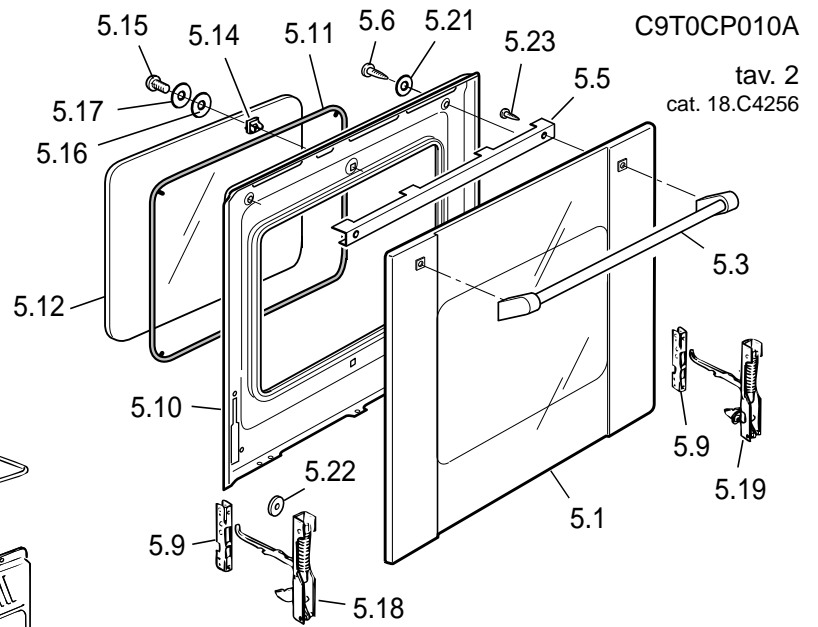
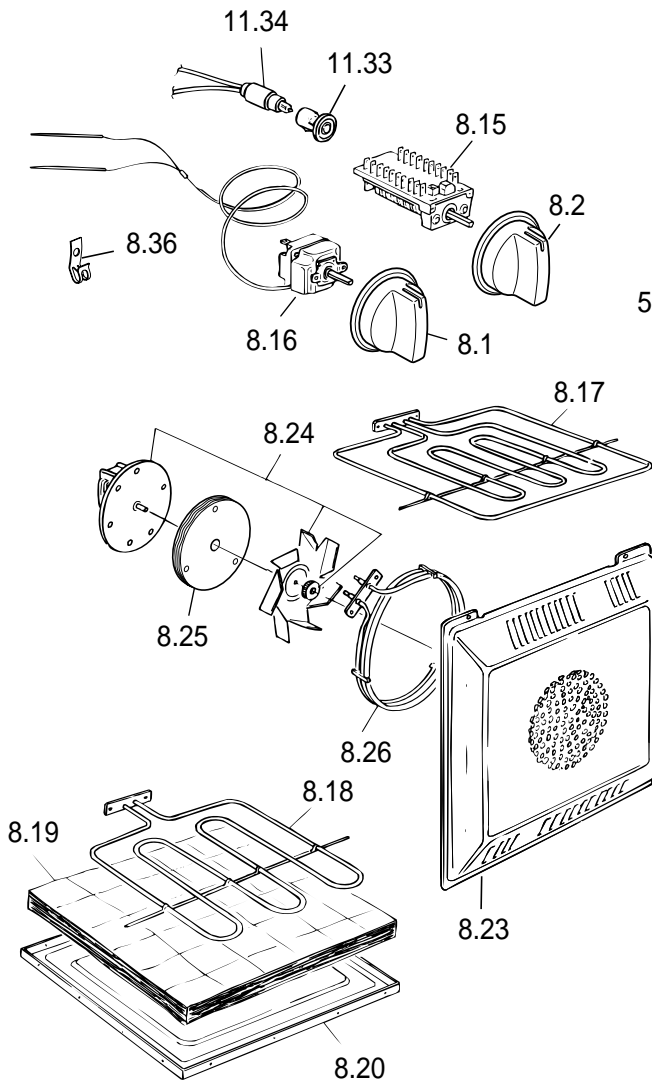
REF.	CODE	DESCRIPTION
4.50	45EN6106K	Oven side panel (Left)
4.51	45EN6101K	Top oven panel
4.52	45EN6107K	Oven side panel (Right)
4.53	45H9S001K	Body rear panel
4.54	47E6102K	Oven floor
4.55	45B9S001K	Body front panel
4.56	45K96004Z	Lower element cover
4.59	211012	Rivet
4.60	45E65104K	Oven side panel (Left)
4.61	45E65105K	Oven side panel (Right)
4.62	47E9S001K	Oven floor
4.63	45E9T001K	Top oven panel
4.64	45H9T001K	Body rear panel
4.65	4219S02Z	Right oven shelter
4.66	4219S03Z	Right oven lower rear panel
4.67	51B9604	Shim support
4.68	51B9S03	Rear insulation support

CR 9201 AN

C9T0CP010A

tav. 2

cat. 18.C4256



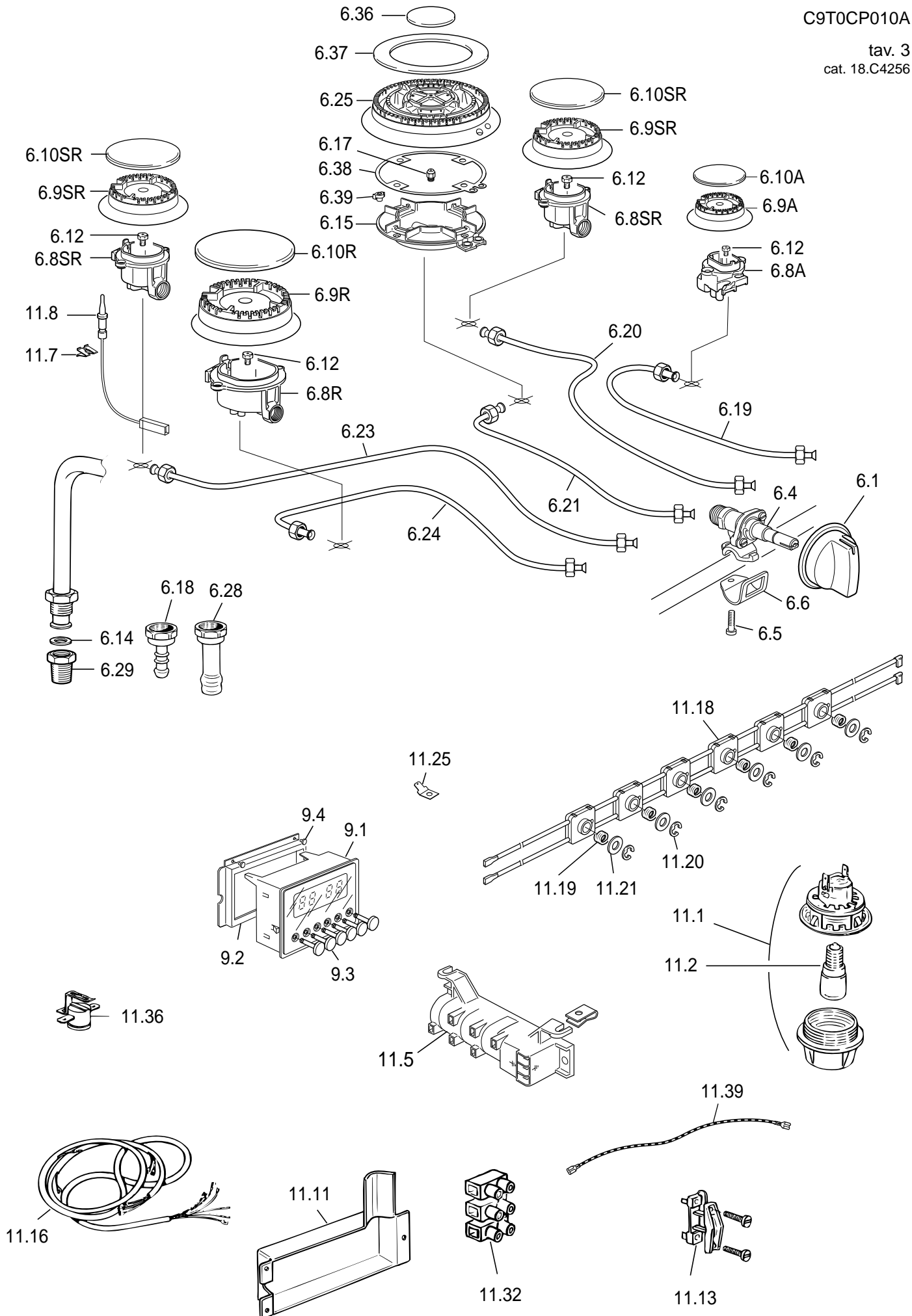
REF.	CODE	DESCRIPTION
5.1	032912158I	Door glass
5.3	037248062	Door handle
5.5	51B9102	Fixing bar
5.6	001056	Screw
5.9	063109	Door hinge (female)
5.10	373F9104K	Door panel
5.11	053084	Gasket
5.12	0311000.1T	Inner glass
5.14	214021	Nut
5.15	001143	Screw
5.16	003035	Washer
5.17	103205	Washer
5.18	063059/ZA	Left door hinge (male)
5.19	063058/ZA	Right door hinge (male)
5.21	003030	Washer
5.22	003041	Washer R5,7x15
5.23	001083	Screw
5.30	0329S2160I	Door glass
5.31	037251062	Door handle
5.32	51B9S04	Fixing bar
5.34	0312159T	Inner glass
5.35	053096	Gasket
5.36	063109	Door hinge (female)
5.37	063111	Left door hinge (male)
5.38	063110	Right door hinge (male)
5.39	373F9S01K	Door panel
7.1	217291	Shelf support
7.3	48B6101K	Oven tray
7.4	217220	Oven shelf
7.5	217397	Grill-pan grid
7.12	037144	Grill-pan grid handle
7.30	217307	Shelf support
7.31	48B9S001K	Oven tray
7.32	217542	Oven shelf
7.33	217537	Grill-pan grid
8.1	218G87A422	Knob oven thermostat
8.2	218G41A422	Knob oven switch
8.15	050028.1	Oven switch
8.16	066072	Oven thermostat
8.17	062103004	Top + grill element - 230V
8.18	062066004	Bottom element - 230V
8.19	030083.1	Bottom element insulation
8.20	4216102Z	Bottom element support
8.23	47AN601K	Fan diffuser
8.24	079008001F	Complete oven fan - 220/240V
8.25	030136.1	Fan motor insulation
8.26	062057004	Fan element
8.27	213015	Clip
=	213023	Clip
8.29	218G19A422	Knob oven switch
8.30	050040.1	Oven switch
8.31	062102004	Top + grill element
8.32	062096004	Bottom element
8.33	030129.1	Bottom element insulation
8.34	4219S04Z	Bottom element support
8.35	4219S05Z	Bottom element protection
8.36	213025	Clip
11.33	07306202.2	Control lamp cover - Red
11.34	073039.2	Control lamp L=230

CR 9201 AN

C9T0CP010A

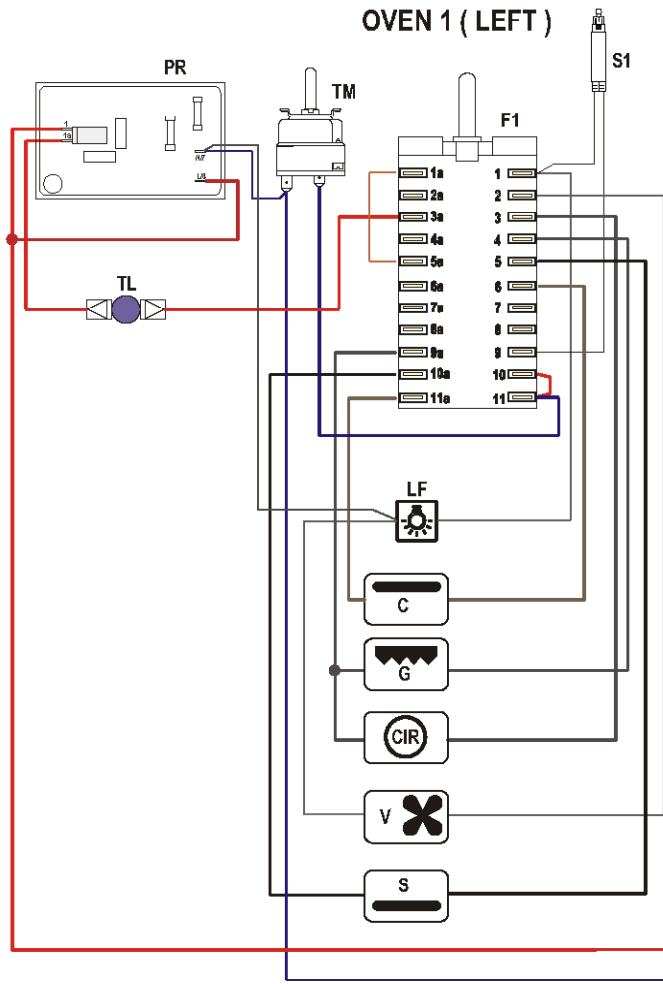
tav. 3

cat. 18.C4256

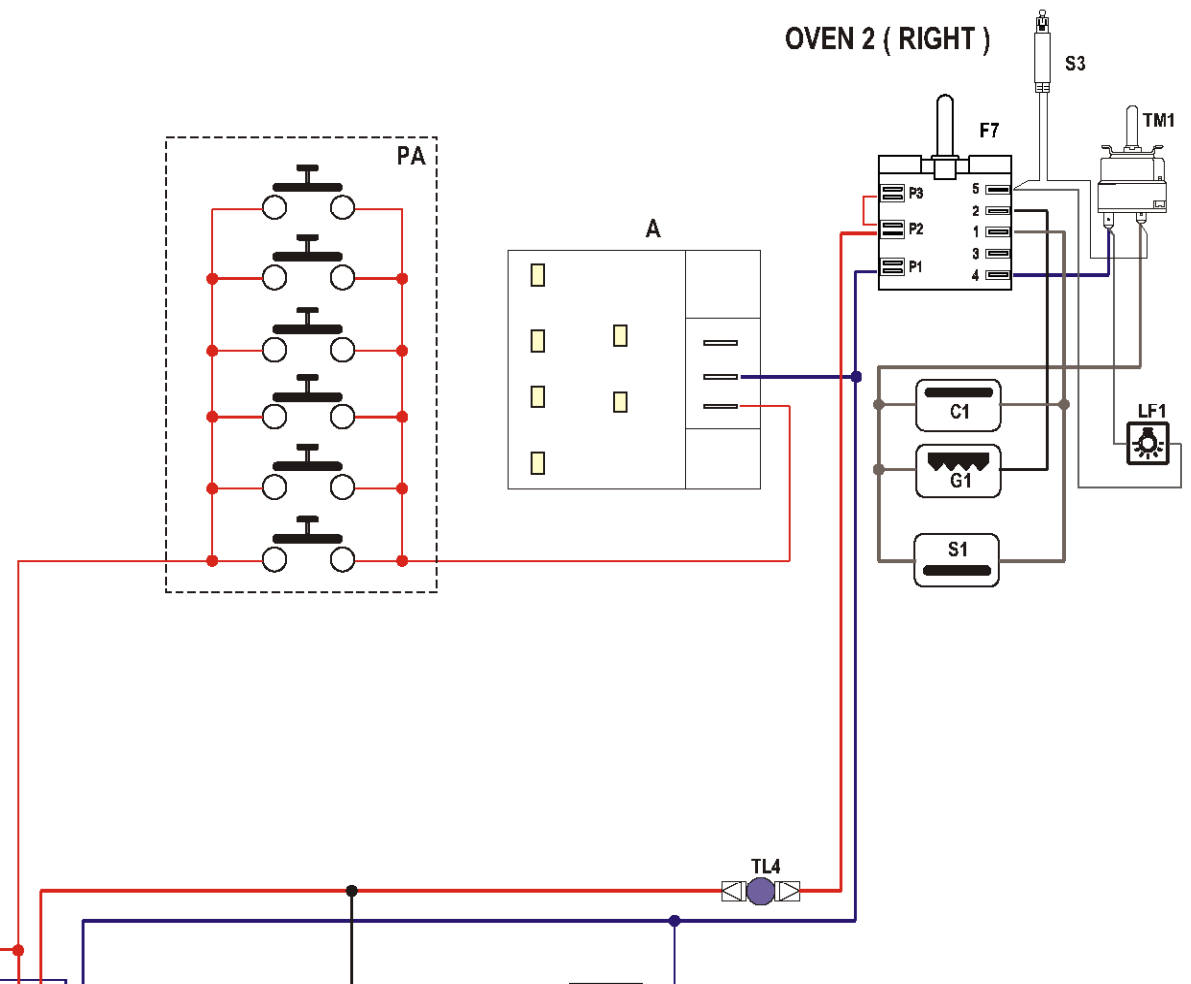


REF.	CODE	DESCRIPTION
6.1	218G25A421	Burner knob
6.4	106240	Tap - Ø 0.27
=	106241	Tap - Ø 0.32
=	106242	Tap - Ø 0.42
=	106243	Tap - Ø 0.65
6.5	001233	Tap fixing screw
6.6	094382	Tap bracket
6.8A	215465	A burner-cup
6.8SR	215466	SR burner-cup
6.8R	215467	R burner-cup
6.9R	068111001	R burner head
6.9SR	068110001	SR burner head
6.9A	068109001	A burner head
6.10A	216129005A	A burner-cap
6.10SR	216130005A	SR burner-cap
6.10R	216131005A	R burner-cap
6.12	101234	Injector - Ø 0.72 - G20
=	101235	Injector - Ø 0.97 - G20
=	101236	Injector - Ø 1.15 - G20
6.12	101180	Injector - Ø 0.50 - G30
=	101181	Injector - Ø 0.65 - G30
=	101182	Injector - Ø 0.85 - G30
6.14	053024.1	Elbow gasket
6.15	215469	Burner-cup TR
6.17	101237	Injector - Ø 1.35
=	101233	TR injector - Ø 0.95 - G30
6.18	027014	LPG connection
6.19	029626	A inlet pipe - front right
6.20	029625	SR inlet pipe - rear right
6.22	029634	TR inlet pipe - central
6.23	029622	SR inlet pipe - rear left
6.24	029635	R inlet pipe - rear left
6.25	068112001	TR burner head
6.28	027013	Natural gas connection
6.29	067026	Connection
6.36	216132005A	Burner-cap inside TR
6.37	216133005A	Burner-cap outside TR
6.38	053078	Burner-cup gasket
6.39	040064	Blanking rubber
9.1	074041	Electronic timer
9.2	094363	Electronic timer seal
9.3	10327100X2	Button
9.4	040056	Protection
11.1	072003	Lamp holder
11.2	073013001	Lamp
11.5	082048.1	Burners ignition coil
11.7	035094	Igniter spring
11.8	084029	Igniter - L = 630 mm
=	084033	Igniter TR - L = 500 mm
=	084036	Igniter - L = 900 mm
11.11	103230.1A	Terminal block protection
11.13	052008	Wire fastener
11.16	1131426	Wiring
11.18	103664	Ignition switches
11.19	035080	Ignition switches spring
11.20	003039	Retaining ring
11.21	003038	Washer
11.25	094221	Earth plate
11.32	051049	Terminal block 25A - 3P
11.36	066123	Cut-off thermostat 160°
=	066145	Cut-off thermostat 80°
=	066073	Cut-off thermostat 150°
11.39	103288	Igniter earth cable
-	1102940	Instruction booklet

OVEN 1 (LEFT)



OVEN 2 (RIGHT)



ELECTRIC DIAGRAM KEY

- A Ignition coil
- PA Ignition switches
- TL1/2 Cooling fan thermolimitors
- CF Cooling fan
- M Terminal block
- T Hearth connection

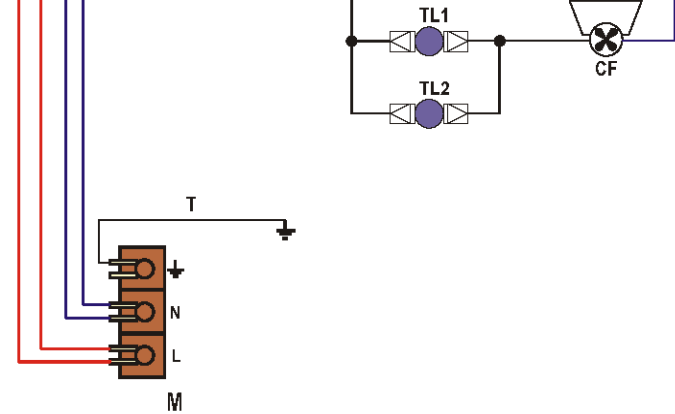
- G Grill element
- CIR Circular element
- V Fan
- S Bottom element

RIGHT OVEN

- F7 Oven switch
- TM1 Oven thermostat
- TL4 Thermal overload
- S3 Thermostat pilot lamp
- LF1 Oven Lamp
- C1 Top element
- G1 Grill element
- S1 Bottom element

LEFT OVEN

- F1 Oven switch
- TM Oven thermostat
- PR Programmer
- TL Thermal overload
- LF Oven lamp
- S1 Thermostat pilot lamp
- C Top element



caple
CR9201AN
 Caple 900 Range 2 Cavity