



# CR9200

Caple 900 Range 2 Cavity

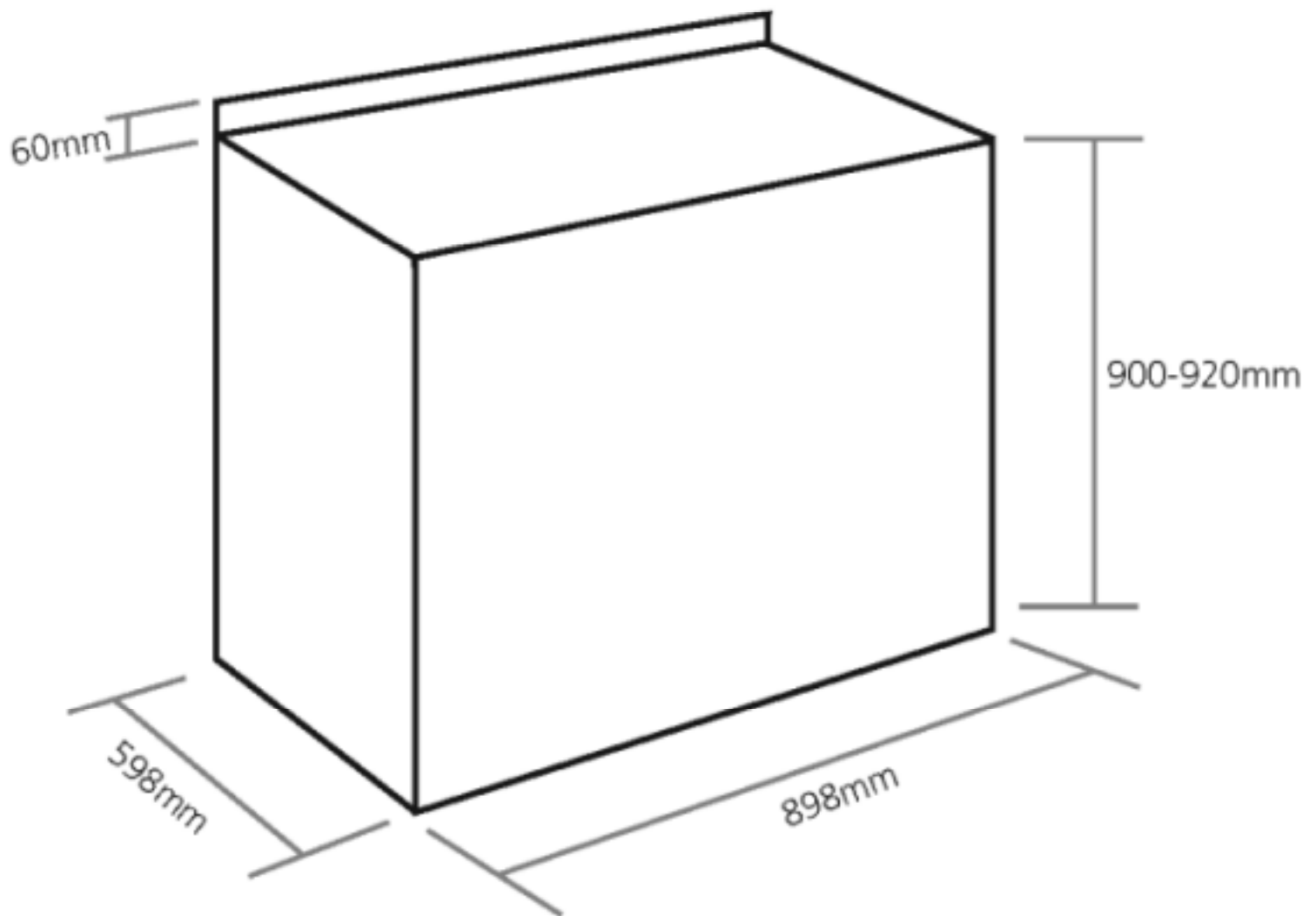


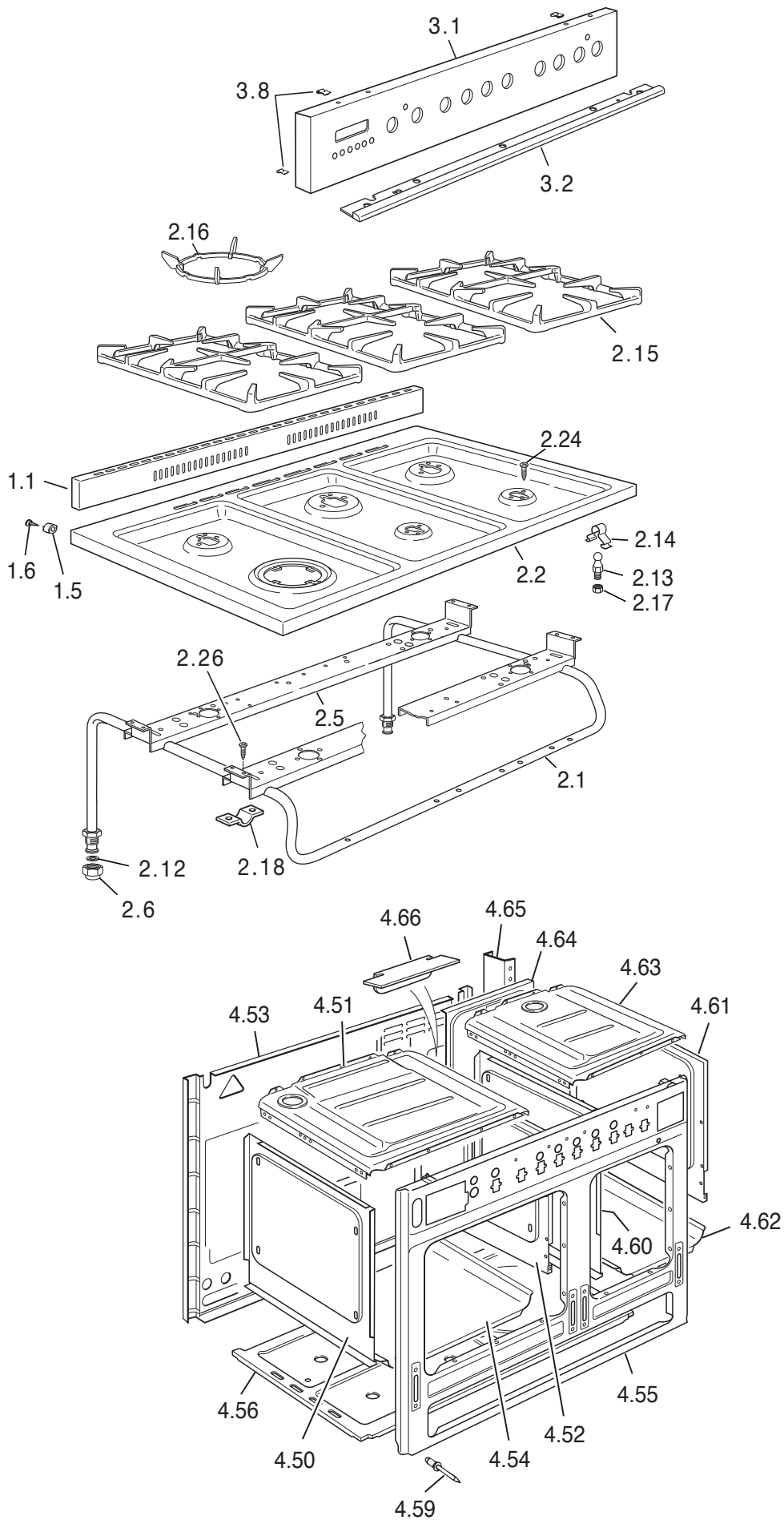
TECHNICAL INFORMATION



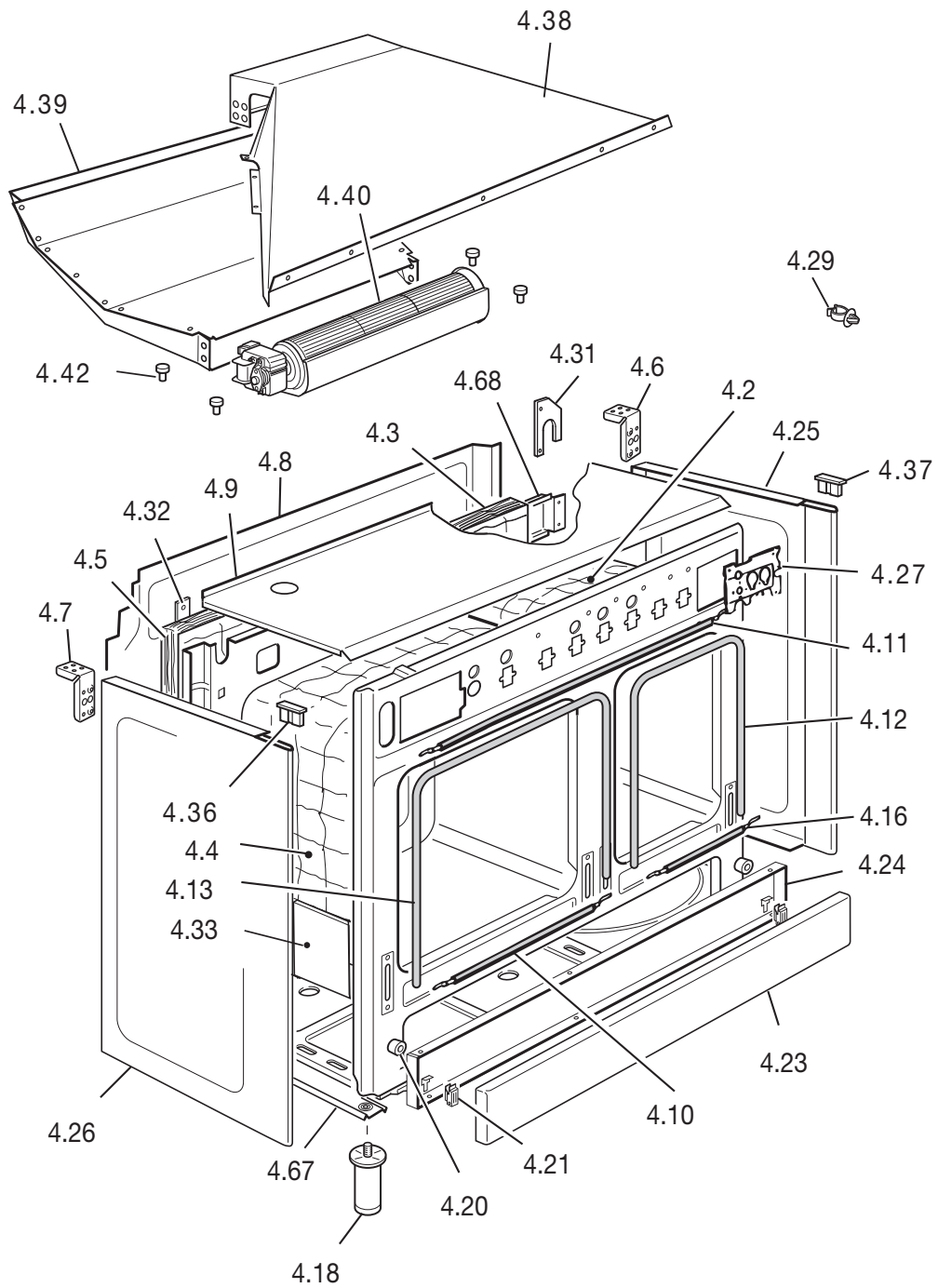
# CR9200

Caple 900 Range 2 Cavity

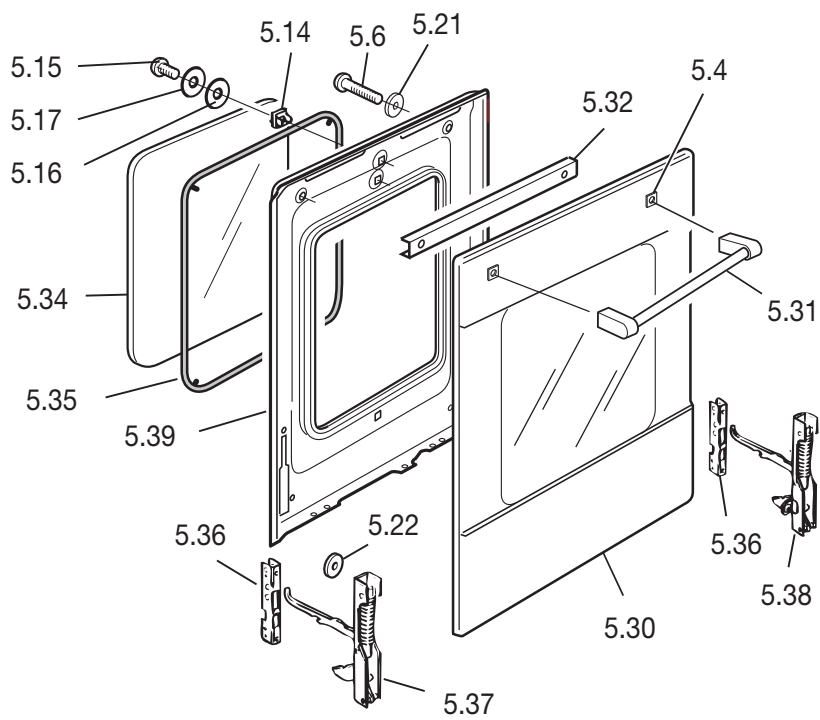
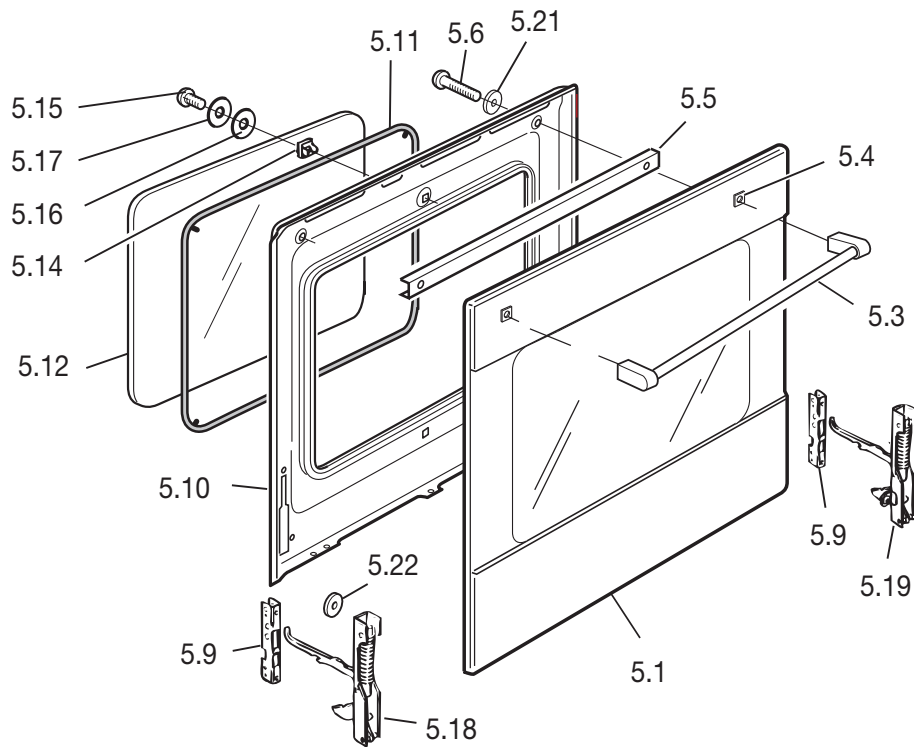




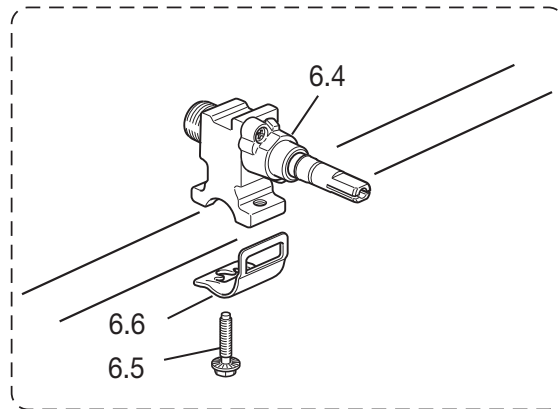
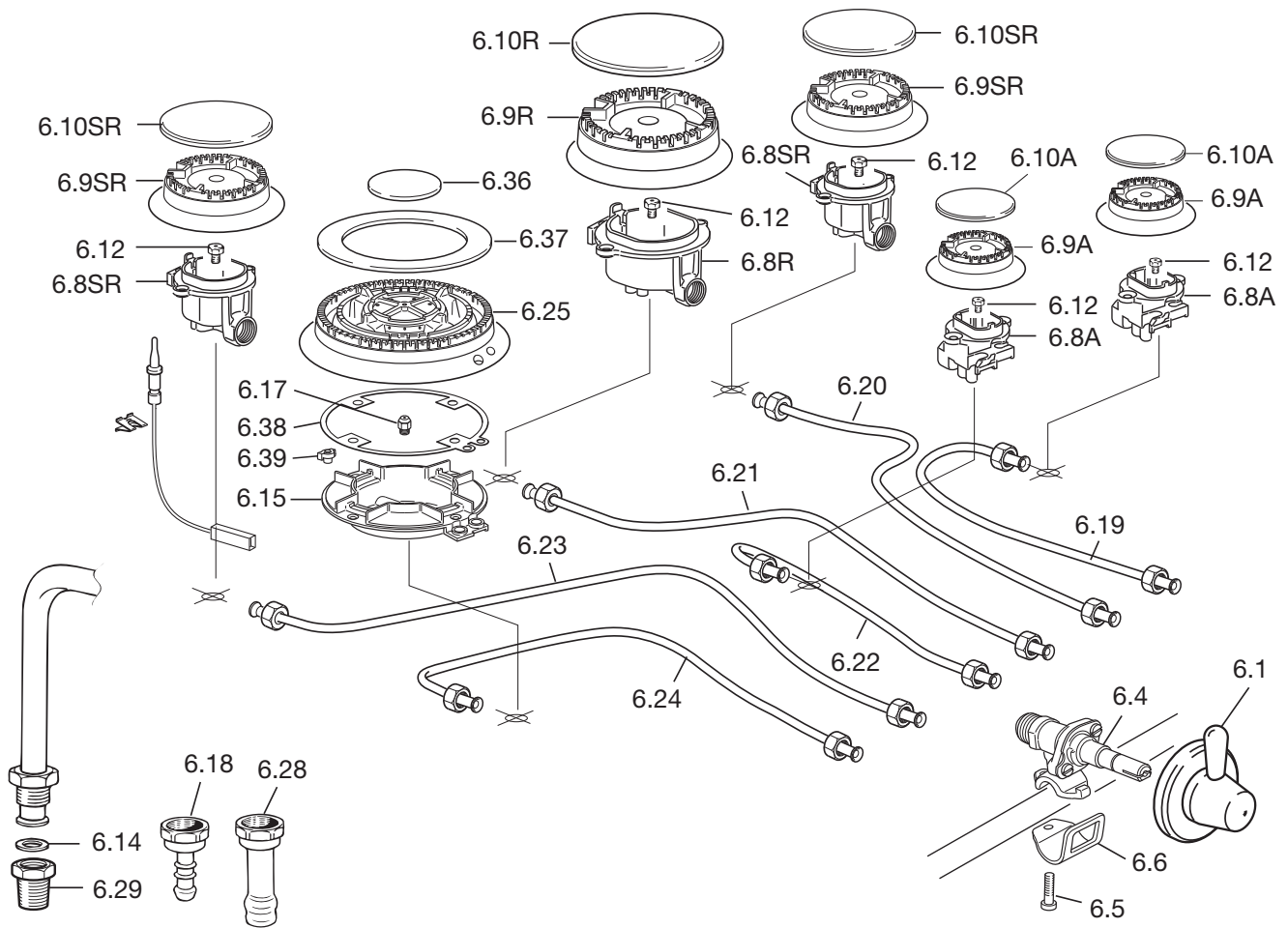
Ref.	Part description	Product code		Product code	
		<b>C9T0CP005X</b>		<b>C9T0CP013X</b>	
		Feature	Part code	Feature (*)	Part code (*)
1.1	Rear trim		103667061		103667063
1.5	Plug		040041001		
1.6	Stainless steel screw		001007		
2.1	Manifold		3429S60001		
2.2	Cooktop		3319S601S		
2.5	Burners support		51B9S01		
2.6	Inlet pipe plug		027015		
2.12	Gasket		053024.1		
2.13	Pin		103615		
2.14	Spring		035100		
2.15	Pan-support		217530		
2.16	Wok grid		217498		
2.17	Nut		214062		
2.18	Fixing plate		094254		094473
2.24	Screw		001234.1		
2.26	Screw		001167		
3.1	Control panel		35C9161SC1		35N9161UC1
3.2	Control panel trim		103631		103760
3.8	Clips		213007		
4.50	Oven side panel (Left)		45EN6106K		
4.51	Top oven panel		45EN6101K		
4.52	Oven side panel (Right)		45EN6107K		
4.53	Body rear panel		45H9S001K		
4.54	Oven floor		47E6102K		
4.55	Body front panel		45B9S001K		
4.56	Lower element cover		45K96004Z		
4.59	Rivet		211012		
4.60	Oven side panel (Left)		45E65104K		
4.61	Oven side panel (Right)		45E65105K		
4.62	Oven floor		47E9S001K		
4.63	Top oven panel		45E9T001K		
4.64	Body rear panel		45H9T001K		
4.65	Right oven shelter		4219S02Z		
4.66	Right oven lower rear panel		4219S03Z		



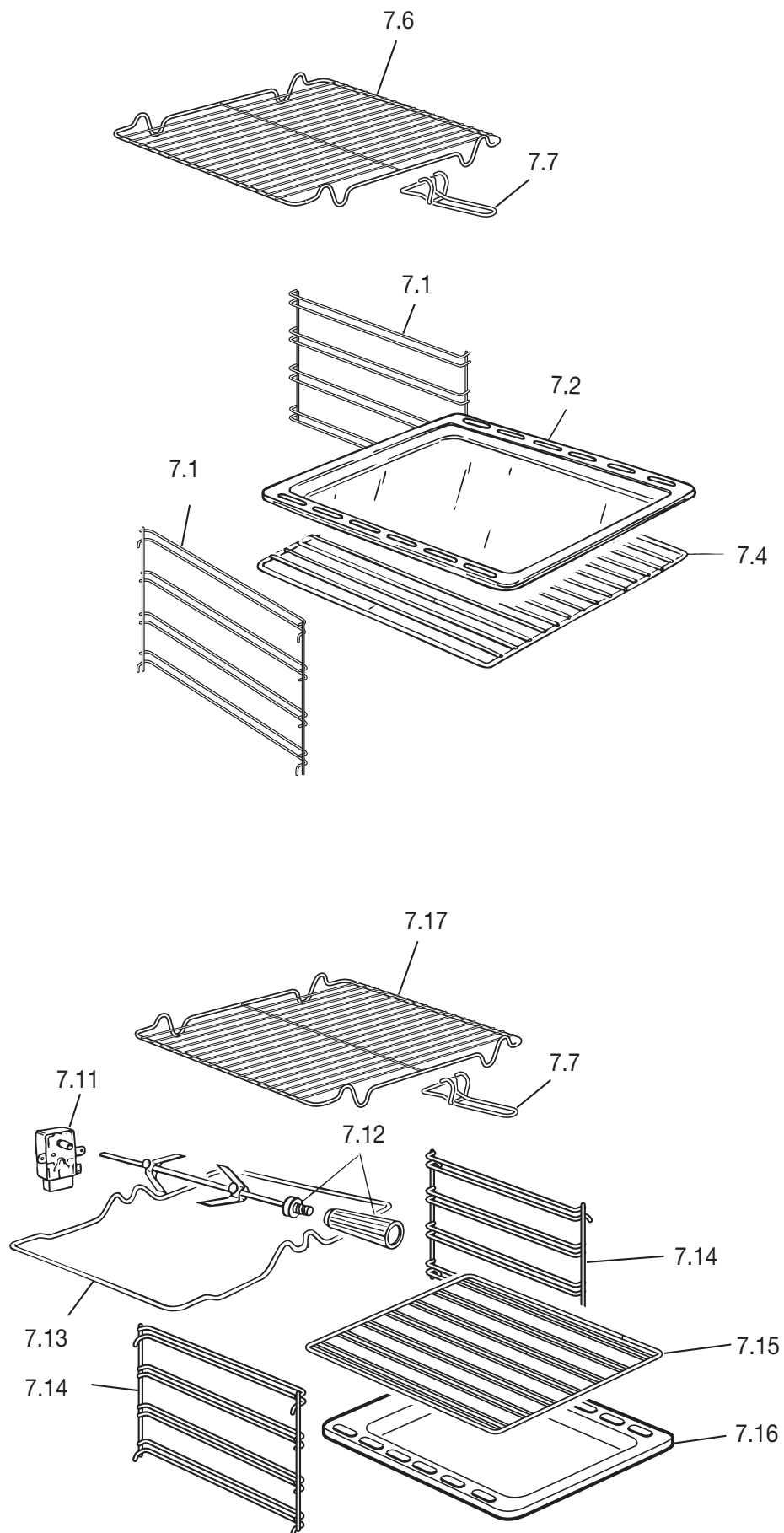
Ref.	Part description	Product code		Product code	
		<b>C9T0CP005X</b>		<b>C9T0CP013X</b>	
		Feature	Part code	Feature (*)	Part code (*)
4.2	Oven insulation		030127.1		
4.3	Rear insulation		030128.1		
4.4	Oven insulation		030135.1		
4.5	Rear insulation		030098.1		
4.6	Rear right coupler		094417DX		
4.7	Rear left coupler		094417SX		
4.8	Rear panel		4119S01		
4.9	Upper shelter		4219S01Z		
4.10	Top/bottom seal		053074		
4.11	Top seal		053095		
4.12	Seal		053093		
4.13	Seal		053039		
4.16	Bottom seal		053094		
4.18	Shim		103564		
4.20	Buffer		040061		
4.21	Hinge		063075		
4.23	Front panel		371V9607YS		371V969UCP
4.24	Inside panel		373V9601M		
4.25	Side panel right		36C91D1S		
4.26	Side panel left		36C91S1S		
4.27	Bracket		094136		
4.29	Tube retainer		531533		
4.31	Bracket		094412		
4.32	Rear insulation support		4219604Z		
4.33	Hinge protection		58BN601		
4.36	Left stopper		081067/NS		081084/NS
4.37	Right stopper		081068/NS		081083/NS
4.38	Air conveyor		46A9S02Z		
4.39	Funnel		46A9S01Z		
4.40	Tangential fan		079025		
4.42	Buffer vibration-damper		040056		
4.67	Shim support		51B9604		
4.68	Rear insulation support		51B9S03		



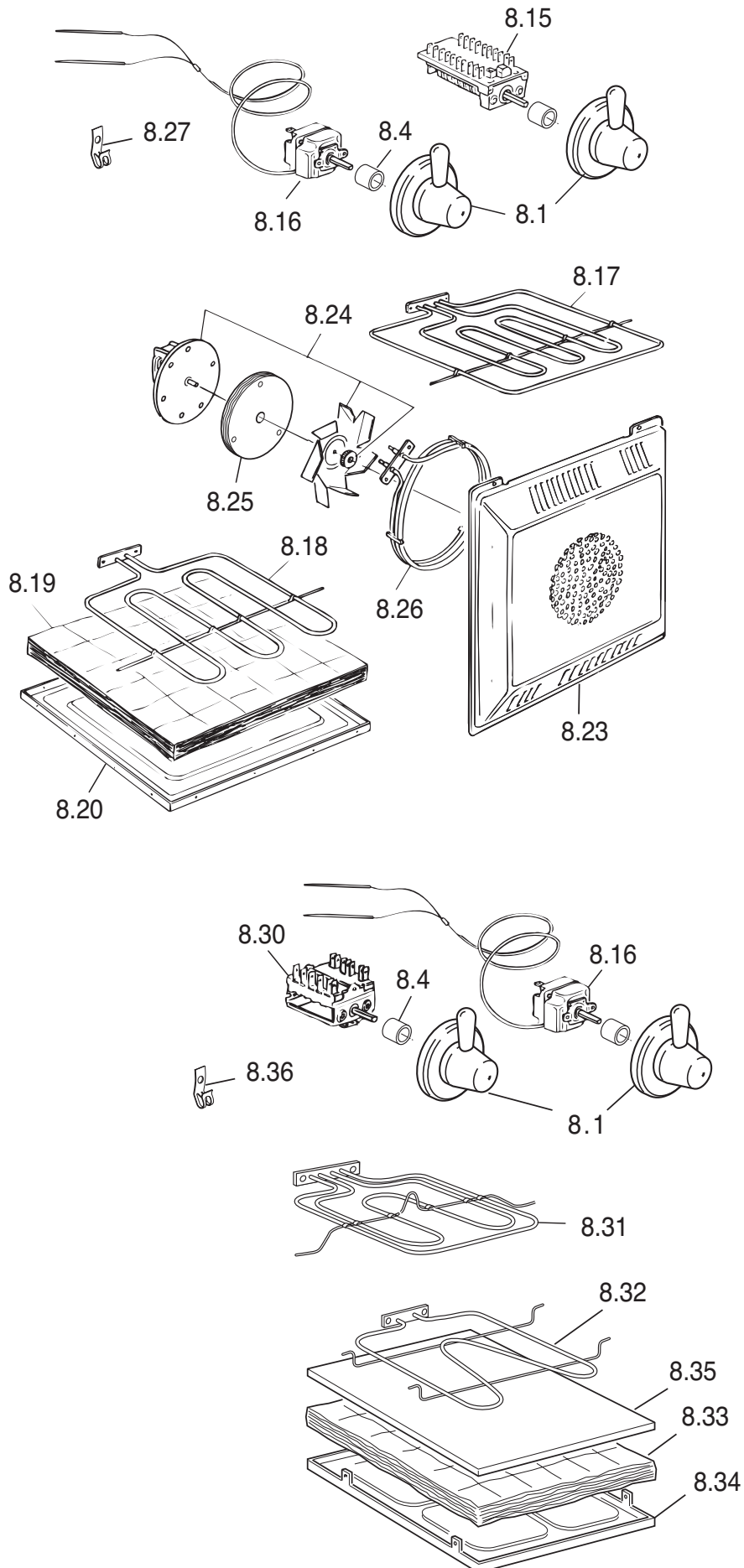
Ref.	Part description	Product code		Product code	
		<b>C9T0CP005X</b>		<b>C9T0CP013X</b>	
		Feature	Part code	Feature (*)	Part code (*)
5.1	Door glass		032912196		032912196A
5.3	Door handle		037215062		
5.4	Washer		103686.1		
5.5	Fixing bar		51B9102		
5.6	Screw		001056		
5.9	Door hinge (female)		063109		
5.10	Door panel		373F9104K		
5.11	Gasket		053084		
5.12	Inner glass		0311000.1T		
5.14	Nut		214021		
5.15	Screw		001143		
5.16	Washer		003035		
5.17	Washer		103205		
5.18	Left door hinge (male)		063059/ZA		
5.19	Right door hinge (male)		063058/ZA		
5.21	Washer		003030		
5.22	Washer		003041		
5.30	Door glass		0329T2197		0329T2197A
5.31	Door handle		037216062		
5.32	Fixing bar		51B9S04		
5.34	Inner glass		0312159T		
5.35	Gasket		053096		
5.36	Door hinge (female)		063109		
5.37	Left door hinge (male)		063111		
5.38	Right door hinge (male)		063110		
5.39	Door panel		373F9S01K		



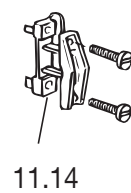
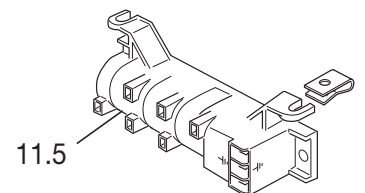
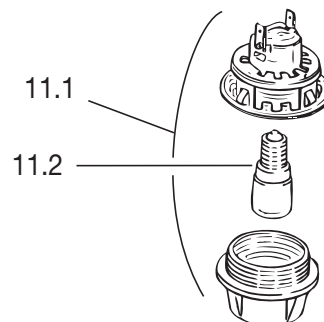
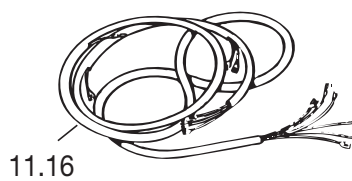
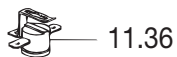
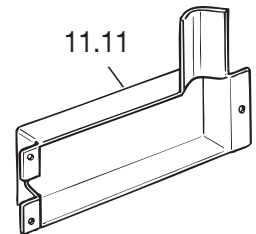
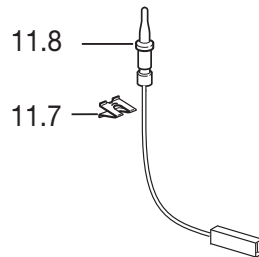
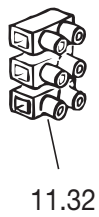
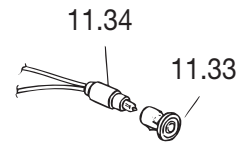
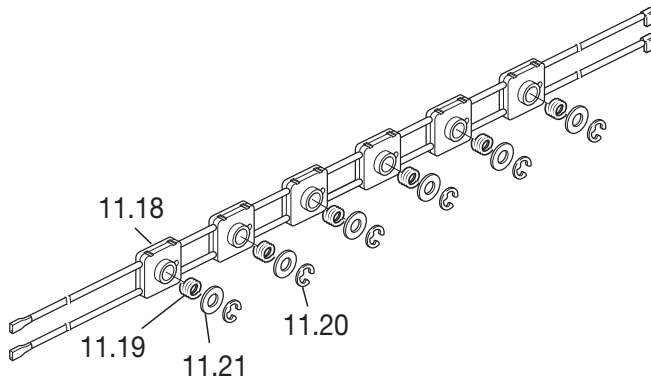
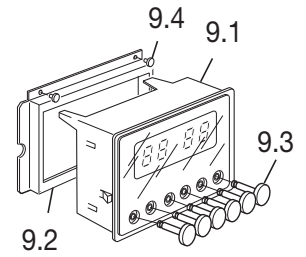
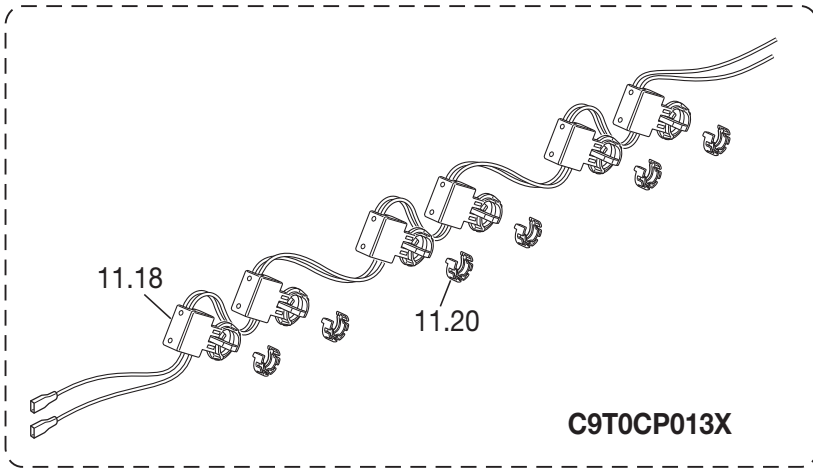
Ref.	Part description	Product code		Product code	
		C9T0CP005X		C9T0CP013X	
		Feature	Part code	Feature (*)	Part code (*)
6.1	Burner knob		2185002340		
6.4	Tap	Ø 0.27	106240	Ø 0.28	106266
		Ø 0.32	106241	Ø 0.33	106267
		Ø 0.42	106242	Ø 0.43	106268
		Ø 0.65	106243	Ø 0.63	106269
6.5	Tap fixing screw		001233		001282
6.6	Tap bracket		094382		094653
6.8A	Burner-cup	A	215465		
6.8SR	Burner-cup	SR	215466		
6.8R	Burner-cup	R	215467		
6.9R	Burner head	R	068111001		
6.9SR	Burner head	SR	068110001		
6.9A	Burner head	A	068109001		
6.10A	Burner-cap	A	216129005A		
6.10SR	Burner-cap	SR	216130005A		
6.10R	Burner-cap	R	216131005A		
6.12	Injector	Ø 0.72 - G20	101234		
		Ø 0.97 - G20	101235		
		Ø 1.15 - G20	101236		
6.12	Injector	Ø 0.50 - G30	101180		
		Ø 0.65 - G30	101181		
		Ø 0.85 - G30	101182		
6.14	Elbow gasket		053024.1		
6.15	Burner-cup	TR	215469		
6.17	Injector	Ø 1.35 - G20	101237		
		Ø 0.95 - G30	101233		
6.18	LPG connection		027014		
6.19	Inlet pipe - front right	A	029626		
6.20	Inlet pipe - rear right	SR	029625		
6.21	Inlet pipe - rear central	R	029624		
6.22	Inlet pipe - front central	A	029623		
6.23	Inlet pipe - rear left	SR	029622		
6.24	Inlet pipe - front left	TR	029621		
6.25	Burner head	TR	068112001		
6.28	Natural gas connection		027013		
6.29	Connection		067026		
6.36	Burner-cap inside	TR	216132005A		
6.37	Burner-cap outside	TR	216133005A		
6.38	Burner-cup gasket		053078		
6.39	Stopper		040064		



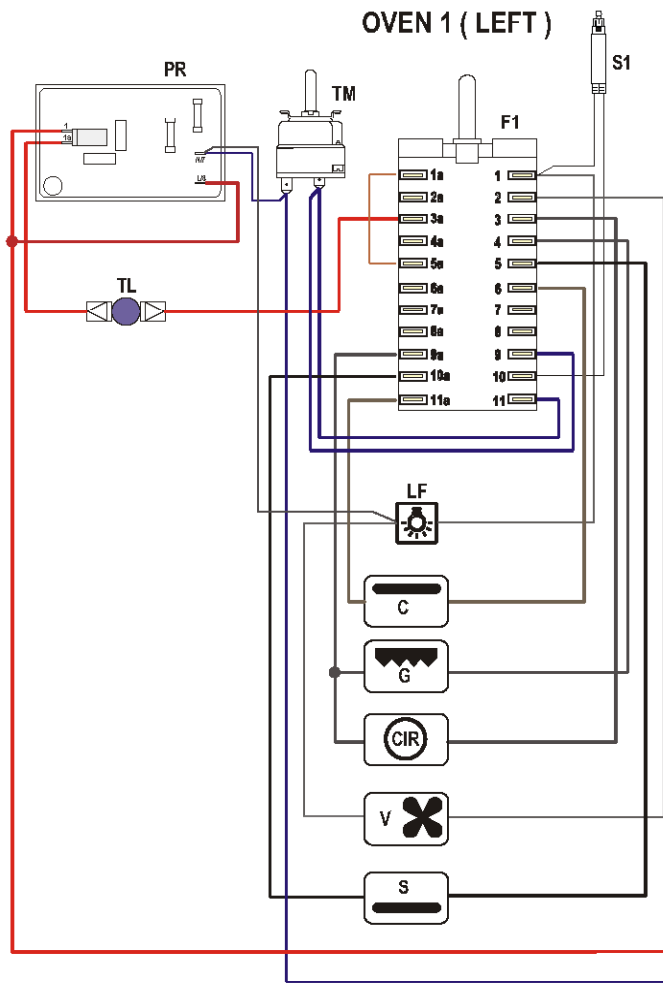
Ref.	Part description	Product code		Product code	
		<b>C9T0CP005X</b>		<b>C9T0CP013X</b>	
		Feature	Part code	Feature (*)	Part code (*)
7.1	Shelf support		217291		
7.2	Oven tray		48B6101K		
7.4	Oven shelf		217220		
7.6	Grill-pan grid		217397		
7.7	Grill-pan grid handle		037144		
7.11	Rotisserie motor		079014		
7.12	Rotisserie spear		080025+037012		
7.13	Rotisserie support		217539		
7.14	Shelf support		217307		
7.15	Oven shelf		217542		
7.16	Oven tray		48B9S001K		
7.17	Grill-pan grid		217537		



Ref.	Part description	Product code		Product code	
		<b>C9T0CP005X</b>		<b>C9T0CP013X</b>	
		Feature	Part code	Feature (*)	Part code (*)
8.1	Knob		2185002294		
8.4	Knob sleeve		085081		
8.15	Oven switch		050028.1		
8.16	Oven thermostat		066072		
8.17	Top + grill element - 230V		062103004		
8.18	Bottom element - 230V		062066004		
8.19	Bottom element insulation		030083.1		
8.20	Bottom element support		4216102Z		
8.23	Fan diffuser		47AN601K		
8.24	Complete oven fan - 220/240V		079008001F		
8.25	Fan motor insulation		030136.1		
8.26	Fan element		062057004		
8.27	Clip		213015		
			213023		
8.30	Oven switch		050030		
8.31	Top + grill element		062102004		
8.32	Bottom element		062096004		
8.33	Bottom element insulation		030129.1		
8.34	Bottom element support		4219S04Z		
8.35	Bottom element protection		4219S05Z		
8.36	Clip		213025		



Ref.	Part description	Product code		Product code	
		C9T0CP005X		C9T0CP013X	
		Feature	Part code	Feature (*)	Part code (*)
9.1	Electronic timer		074041		
9.2	Electronic timer seal		094363		
9.3	Button (Black)		103271080		
9.4	Protection		040056		
11.1	Lamp holder		072003		
11.2	Lamp		073013001		
11.5	Burners ignition coil		082054		082048.1
11.7	Igniter spring		035094		
11.8	Igniter	L = 500 mm	084029		
		TR - L = 900	084035		
		L = 900 mm	084036		
11.11	Terminal block protection		103230.1		103230.1A
11.14	Wire fastener		052008		
11.16	Wiring		1131313		
11.18	Ignition switches		103633		1031236
11.19	Ignition switches spring		035080		NO
11.20	Retaining ring		003039		003077
11.21	Washer		003038		NO
11.32	Terminal block	25A - 3P	051049		
11.33	Control lamp cover - Red		07306202.2		
11.34	Control lamp	L=230 mm	073039.2		
11.36	Cut-off thermostat	160°	066123		
		80°	066145		
		150°	066073		
-	LPG Gas conversion kit		6109S60001		
-	Instruction booklet		1102223		



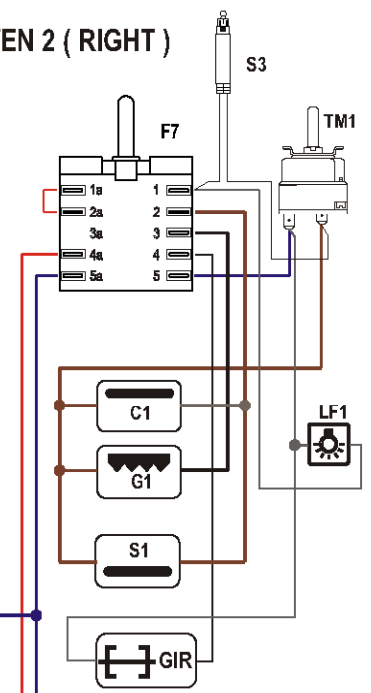
Oven switch diagram ( LEFT )

POSITION 0	0	1	2	3	4	5	6	7	8	9	10	11
FUNCTION 1 40° ← Oven light	15	20	25	30	35	40	45	50	55	60	65	70
FUNCTION 2 30° ← Traditional convection cooking	15	20	25	30	35	40	45	50	55	60	65	70
FUNCTION 3 120° ← Grilling	15	20	25	30	35	40	45	50	55	60	65	70
FUNCTION 4 150° ← Defrosting frozen foods	15	20	25	30	35	40	45	50	55	60	65	70
FUNCTION 5 200° ← Hot air cooking	15	20	25	30	35	40	45	50	55	60	65	70
FUNCTION 6 240° ← Ventilated grill cooking	15	20	25	30	35	40	45	50	55	60	65	70
FUNCTION 7 280° ← Maintaining temperature after cooking or slowly heating foods	15	20	25	30	35	40	45	50	55	60	65	70
FUNCTION 8 320° ← Convection cooking with ventilation	15	20	25	30	35	40	45	50	55	60	65	70

OVEN 2 ( RIGHT )

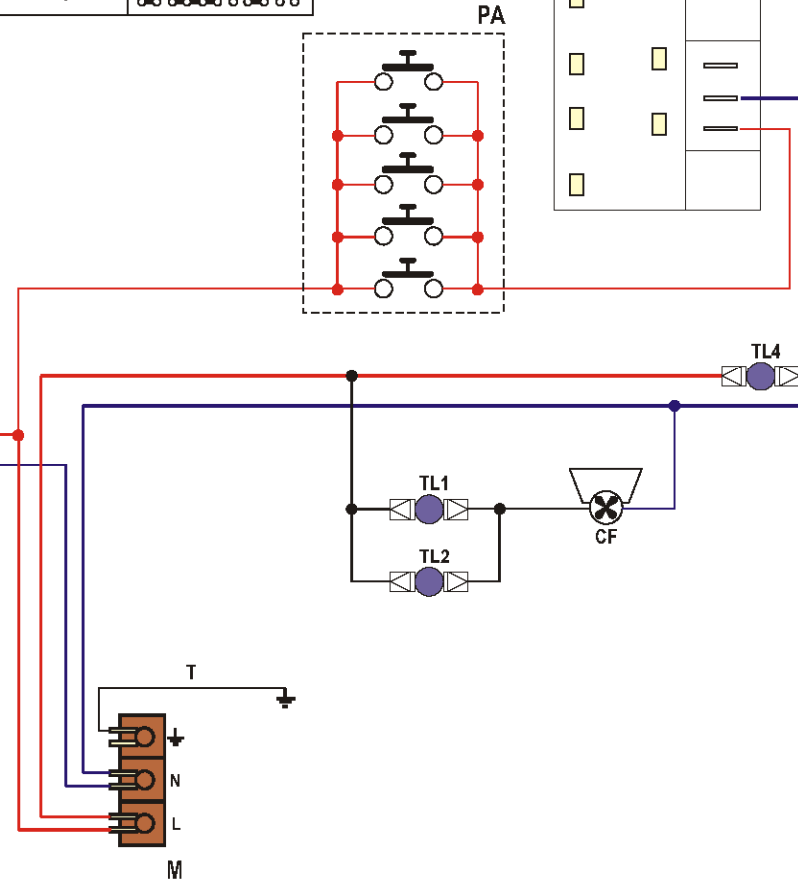
Oven switch diagram ( RIGHT )

POSITION 0	1	2	3	4	5
FUNCTION 1 Oven light	1a	2a	3a	4a	5a
FUNCTION 2 Traditional convection cooking	1a	2a	3a	4a	5a
FUNCTION 3 Convection cooking with rotisserie	1a	2a	3a	4a	5a
FUNCTION 4 Grill cooking with rotisserie	1a	2a	3a	4a	5a
FUNCTION 5 Grilling	1a	2a	3a	4a	5a



**ELECTRIC DIAGRAM KEY**

- |       |                         |     |                  |
|-------|-------------------------|-----|------------------|
| A     | Ignition coil           | G   | Grill element    |
| PA    | Ignition switches       | CIR | Circular element |
| TL1/2 | Cooling fan thermostats | V   | Fan              |
| CF    | Cooling fan             | S   | Bottom element   |
| M     | Terminal block          |     |                  |
| T     | Hearth plant            |     |                  |
- 
- |                  |                       |                   |                       |
|------------------|-----------------------|-------------------|-----------------------|
| <b>LEFT OVEN</b> |                       | <b>RIGHT OVEN</b> |                       |
| F1               | Oven switch           | F7                | Oven switch           |
| TM               | Oven thermostat       | TM1               | Oven Thermostat       |
| PR               | Programmer            | TL4               | Thermal overload      |
| TL               | Thermal overload      | S3                | Thermostat pilot lamp |
| LF               | Oven Lamp             | LF1               | Oven Lamp             |
| S1               | Thermostat pilot lamp | G1                | Grill element         |
| C                | Top element           | S1                | Bottom element        |
|                  |                       | GIR               | Rotisserie            |



**caple**  
**CR9200**  
Caple 900 Range 2 Cavity