



# CR9110

Caple 900 GAS Range 1 Cavity

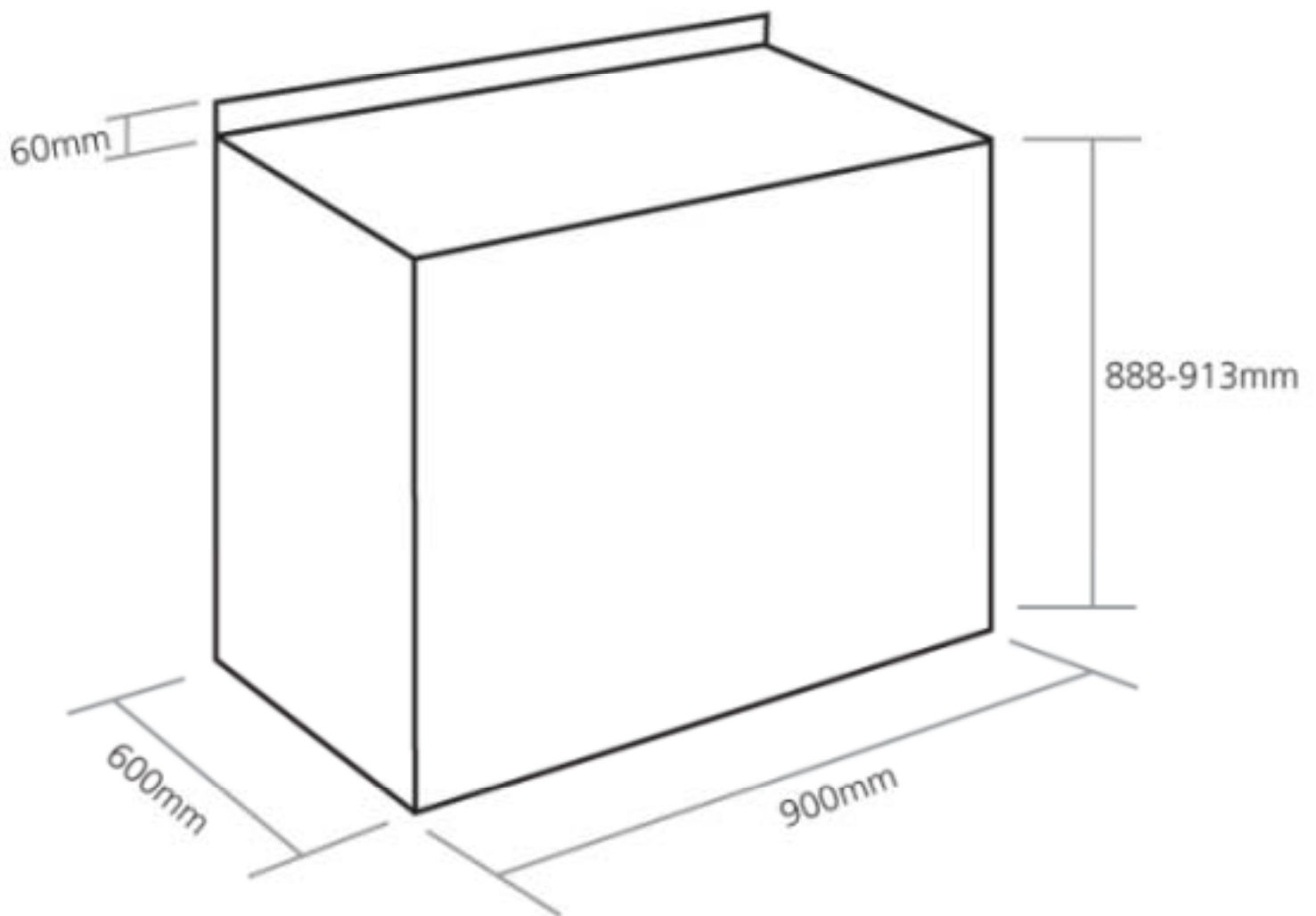


TECHNICAL INFORMATION



# CR9110

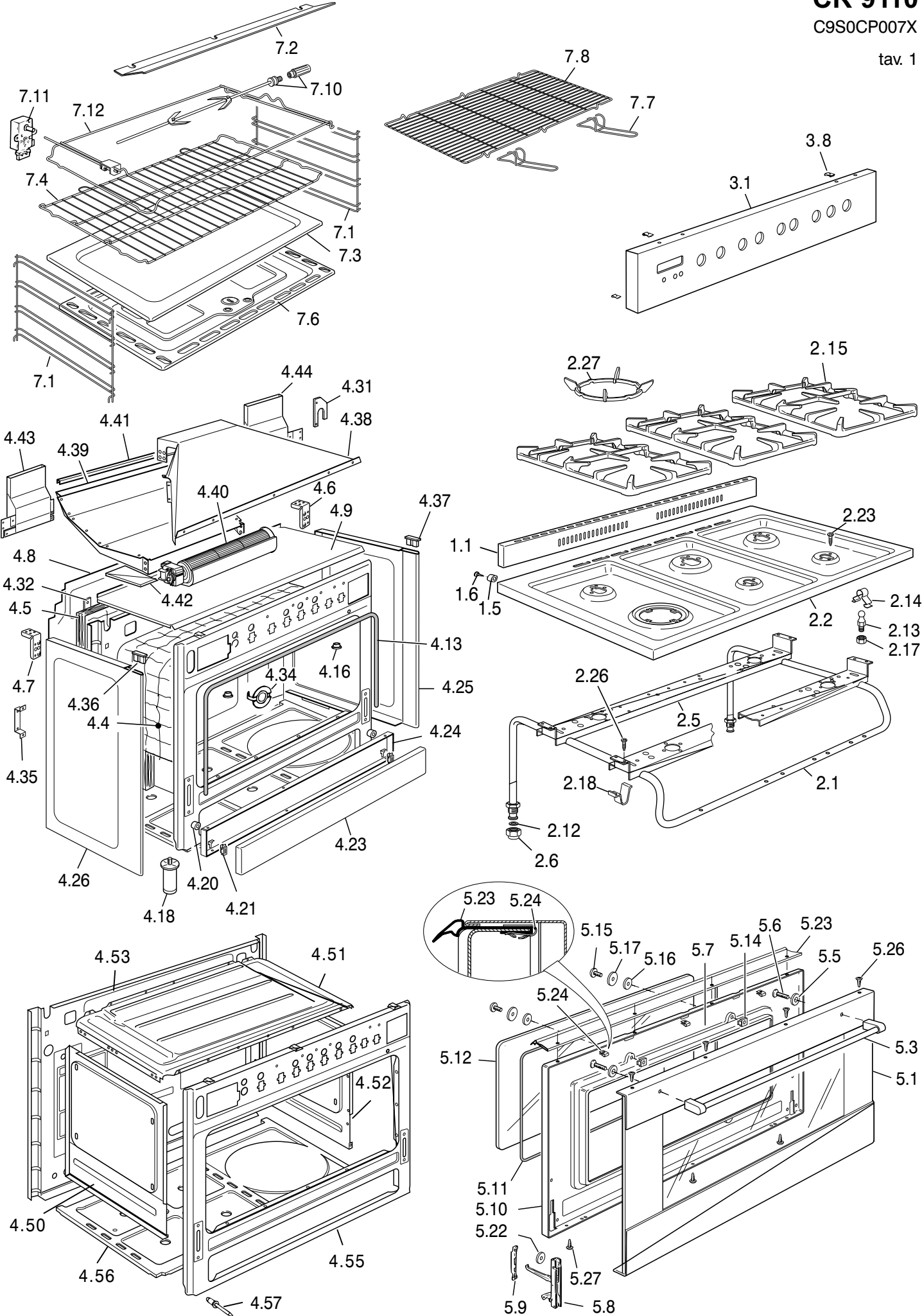
Caple 900 GAS Range 1 Cavity



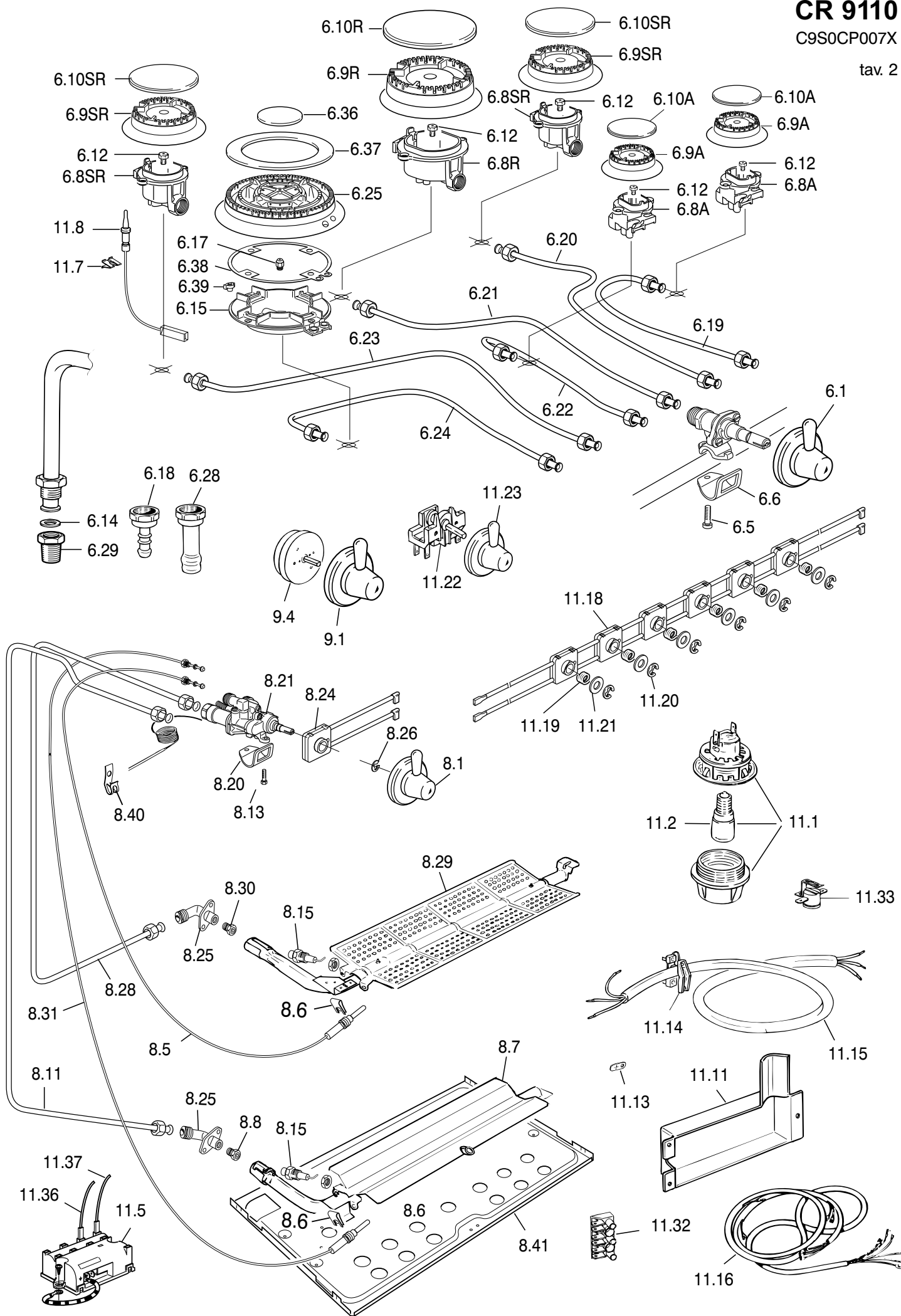
# CR 9110

C9S0CP007X

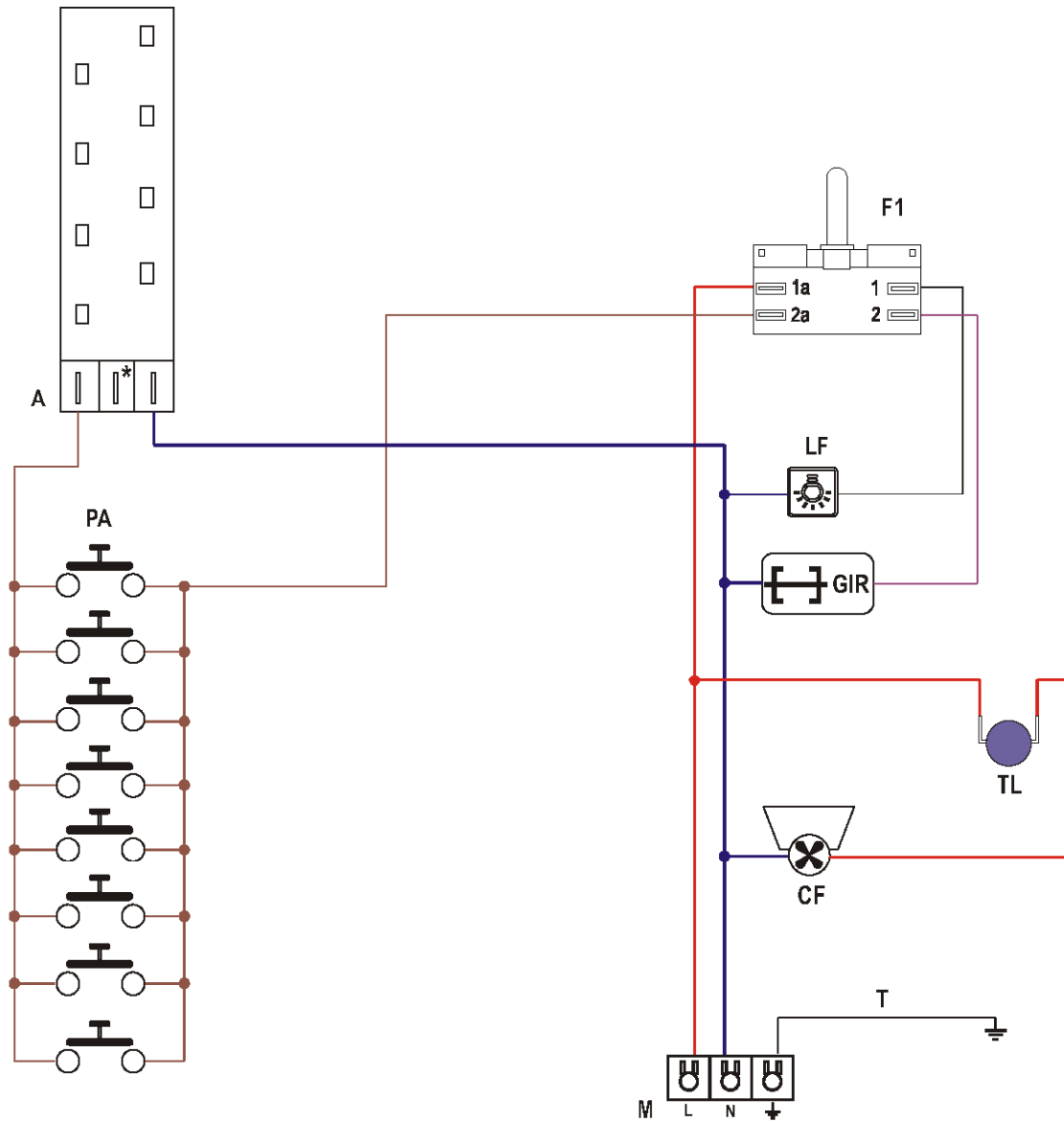
tav. 1



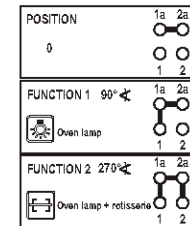
REF.	CODE	DESCRIPTION	REF.	CODE	DESCRIPTION
1.1	103630063	Rear trim	5.1	032961902V	Door glass
1.5	040041001	Plug	5.3	037214062	Door handle
1.6	001007	Stainless steel screw	5.5	003057	Washer
2.1	3429S60002	Manifold	5.6	001083	Screw
2.2	3319S601S	Cooktop	5.8	063100	Door hinge (male)
2.5	51B9S01	Burners support	5.9	063066	Door hinge (female)
2.6	027015	Inlet pipe plug	5.10	373F9604K	Door panel
2.12	053024.1	Gasket	5.11	053058	Gasket
2.13	103615	Pin	5.12	0311292/TH	Inner glass
2.14	035100	Spring	5.14	214021	Nut
2.15	217530	Pan-support	5.15	001143	Screw
2.17	214062	Nut	5.16	003035	Washer
2.18	094473	Fixing plate	5.17	103205	Washer
2.23	001234	Screw	5.22	003041	Hinge washer
2.26	001167	Screw	5.23	053083	Gasket
2.27	217498	Wok grid	5.24	213029	Clip
3.1	35C9141SC1	Control panel	5.26	001089	Screw
3.8	213007	Clips	5.27	001007	Screw
4.4	030074.1	Oven insulation	7.1	217291	Shelf support
4.5	030075.1	Rear insulation	7.2	103560	Grill deflector
4.6	094417DX	Rear right coupler	7.3	48B9601K	Oven tray
4.7	094417SX	Rear left coupler	7.4	217403	Oven shelf
4.8	4119602	Rear panel	7.6	47E9604K	Oven floor
4.9	4219S01Z	Upper shelter	7.7	037208	Grill-pan grid handle
4.13	053057	Seal	7.8	217524	Grill-pan grid
4.16	085044	Sleeve	7.10	080027+037012	Rotisserie spear
4.18	103533.1	Shim	7.11	079014	Rotisserie motor
4.20	040061	Buffer	7.12	217401.1	Rotisserie support
4.21	063075	Hinge			
4.23	371V9601YS	Front panel			
4.24	373V9601M	Inside panel			
4.25	36C96D1S	Side panel right			
4.26	36C96S1S	Side panel left			
4.31	094412	Bracket			
4.32	4219604Z	Rear insulation support			
4.34	035097	Rotisserie hole plug			
4.35	094266	Rotisserie motor support			
4.36	081084/NS	Left stopper			
4.37	081083/NS	Right stopper			
4.38	46A9S02Z	Air conveyor			
4.39	46A9S06Z	Funnel			
4.40	079025	Tangential fan			
4.41	053092	Funnel gasket			
4.42	053097	Vibration-damper			
4.43	46A9S05Z	Cavity left funnel			
4.44	46A9S04Z	Cavity right funnel			
4.50	45EN6106K	Oven side panel (Left)			
4.51	45E96001K	Top oven panel rear panel			
4.55	45B96003K	Body front panel			
4.56	45K96004Z	Lower element cover			
4.57	211012	Clips			



REF.	CODE	DESCRIPTION	REF.	CODE	DESCRIPTION
6.1	2185002340	Burner knob	8.25	067030	Elbow
6.4	106240	Tap - Ø 0.27 A	8.26	003040	Retaining ring
=	106241	Tap - Ø 0.32 SR	8.28	029893	Grill inlet pipe
=	106242	Tap - Ø 0.42 R	8.29	215448	Grill burner
=	106243	Tap - Ø 0.65 TR	8.30	101200	Grill burner injector - Ø 1.07 - G30
6.5	001233	Tap fixing screw	=	101202	Grill burner injector - Ø 1.65 - G20
6.6	094382	Tap bracket	8.31	107049	Oven thermocouple - L=1250
6.8A	215465	A burner-cup	8.40	213015	Clip
6.8SR	215466	SR burner-cup	8.41	4219603Z	Burner shield
6.8R	215467	R burner-cup	9.1	2185002294	Alarm knob
6.9R	068111001	R burner head	9.4	074009	60'alarm
6.9SR	068110001	SR burner head	11.1	072004	Lamp holder
6.9A	068109001	A burner head	11.2	073013001	Lamp
6.10A	216129005A	A burner-cap	11.5	082068.1	Burners ignition coil
6.10SR	216130005A	SR burner-cap	11.7	035094	Igniter spring
6.10R	216131005A	R burner-cap	11.8	084029	Igniter - L = 630 mm
6.12	101234	Injector - Ø 0.72 - G20	=	084035	Igniter TR - L= 900 mm
=	101235	Injector - Ø 0.97 - G20	=	084036	Igniter - L= 900 mm
=	101236	Injector - Ø 1.15 - G20	11.11	103230.1A	Terminal block protection
6.1	2101180	Injector - Ø 0.50 - G30	11.14	052008	Wire fastener
=	101181	Injector - Ø 0.65 - G30	11.15	054066	Cord 3x0,75
=	101182	Injector - Ø 0.85 - G30	11.16	1131397	Wiring
6.14	053024.1	Elbow gasket	11.18	1031137	Ignition switches
6.15	215469	Burner-cup TR	11.19	035080	Ignition switches spring
6.17	101237	TR injector - Ø 1.35 - G20	11.20	003039	Retaining ring
=	101233	TR injector - Ø 0.95 - G30	11.21	003038	Washer
6.18	027014	LPG connection	11.22	050035	Oven light switch
6.19	029626	A inlet pipe - front right	11.23	2185002294	Oven light switch knob
6.20	029625	SR inlet pipe - rear right	11.32	051049	Terminal block 25A- 3P
6.21	029624	R inlet pipe - rear central	11.33	066080	Cut-off thermostat 55°
6.22	029623	A inlet pipe - front central	11.36	103289	Cable - L= 1700 mm
6.23	029622	SR inlet pipe - rear left	11.37	103290	Cable - L= 1300 mm
6.24	029621	TR inlet pipe - front left			
6.25	068112001	TR burner head	-	1102108	Instruction booklet
6.28	027013	Natural gas connection			
6.29	067026	Connection			
6.36	216132005A	Burner-cap inside TR	6109S60002		LPG gas conversion kit
6.37	216133005A	Burner-cap outside TR			
6.38	053078	Burner-cup gasket			
6.39	040064	Stopper			
8.1	2185002340	Thermostat knob			
8.5	107048	Grill thermocouple - L=1100			
8.6	035098	Spring			
8.7	215439	Oven burner			
8.8	101201	Oven burner injector - Ø 1.20 - G30			
=	101203	Oven burner injector - Ø 1.80 - G20			
8.11	029892	Oven inlet pipe			
8.13	001248	Screw			
8.15	084034	Electrode			
8.20	094503	Bracket			
8.21	066159	Thermostat			
8.24	1031136	Switch			



**Switch**



**ELECTRIC DIAGRAM KEY**

- F1 Switch
- LF Oven lamp
- GIR Rotisserie
- CF Cooling fan
- TL Thermal overload
- A Ignition coil
- PA Ignition switches group
- M Terminal block
- T Earth connection



**CR910**

Caple 900 GAS Range 1 Cavity