



# CR9110

Caple 900 GAS Range 1 Cavity

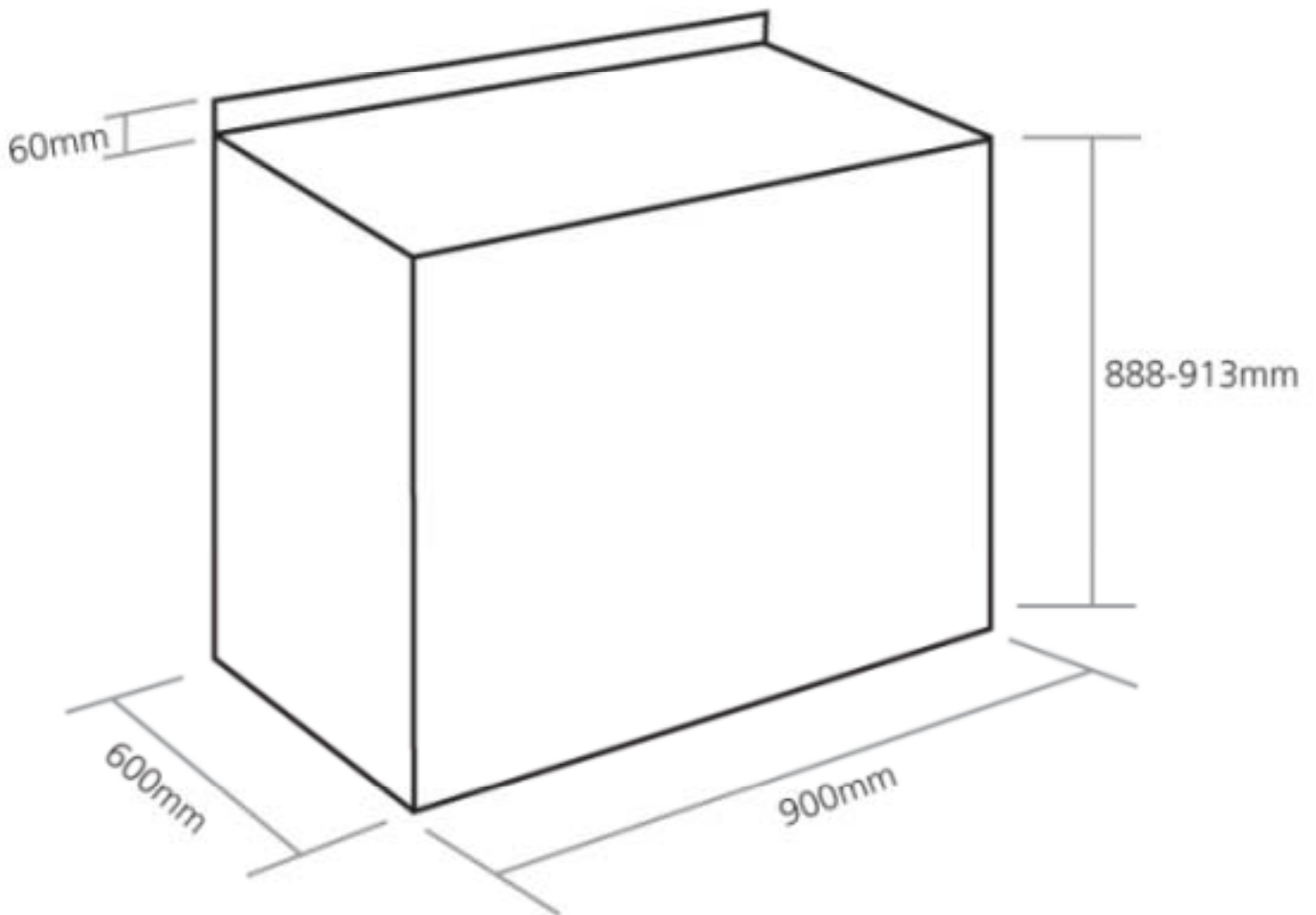


TECHNICAL INFORMATION



# CR9110

Caple 900 GAS Range 1 Cavity

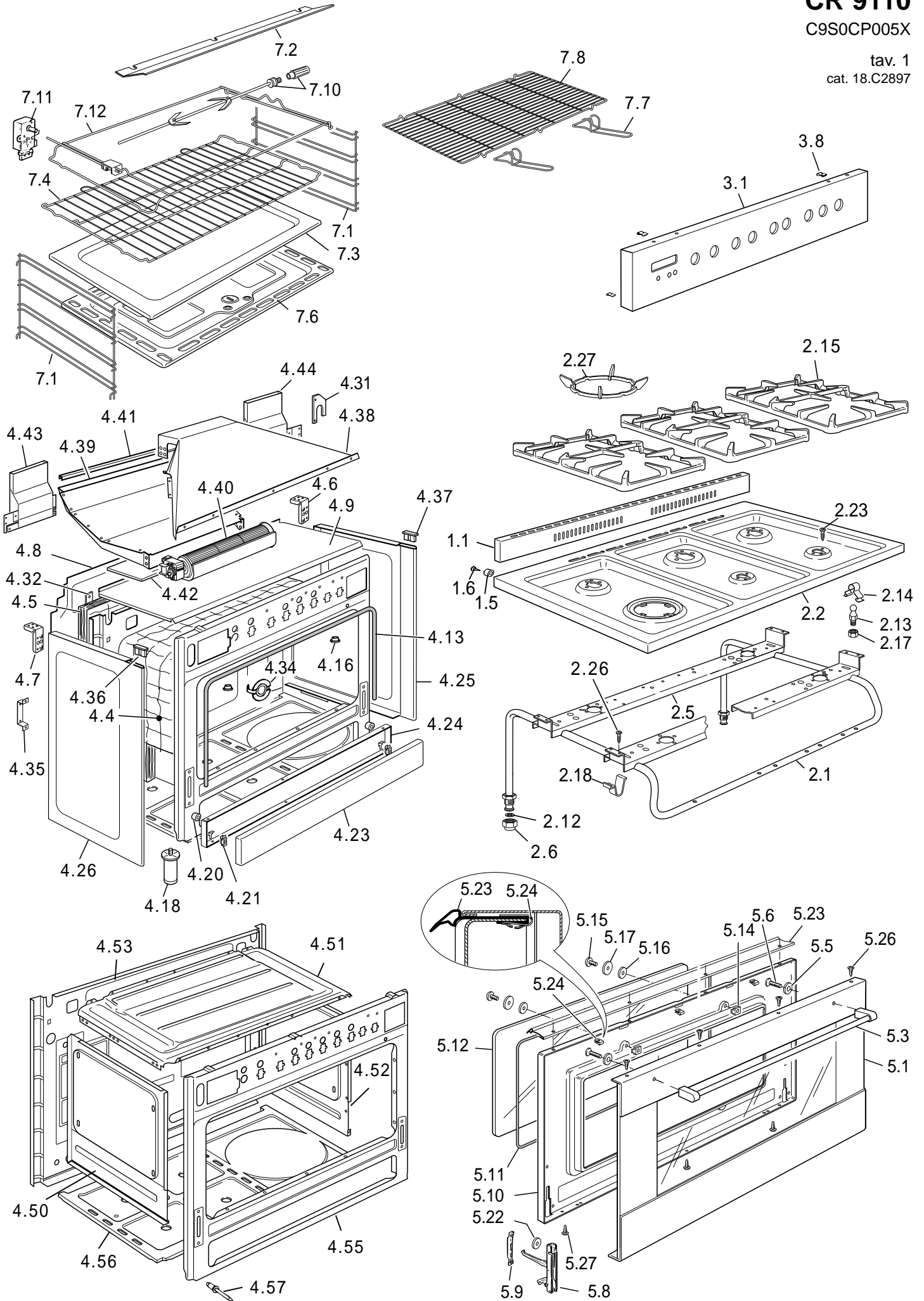


# CR 9110

C9S0CP005X

tav. 1

cat. 18.C2897



REF.	CODE	DESCRIPTION
1.1	103630063	Rear trim
1.5	040041001	Plug
1.6	001007	Stainless steel screw
2.1	3429S60002	Manifold
2.2	3319S601S	Cooktop
2.5	51B9S01	Burners support
2.6	027015	Inlet pipe plug
2.12	053024.1	Gasket
2.13	103615	Pin
2.14	035100	Spring
2.15	217530	Pan-support
2.17	214062	Nut
2.18	094473	Fixing plate
2.23	001234.1	Screw
2.26	001167	Screw
2.27	217498	Wok grid
3.1	35C9141SC1	Control panel
3.8	213007	Clips
4.4	030074.1	Oven insulation
4.5	030075.1	Rear insulation
4.6	094417DX	Rear right coupler
4.7	094417SX	Rear left coupler
4.8	4119602	Rear panel
4.9	4219S01Z	Upper shelter
	094407	Switch protection
4.13	053057	Seal
4.16	085044	Sleeve
4.18	103533.1	Shim
4.20	040061	Buffer
4.21	063075	Hinge
4.23	371V9601YS	Front panel
4.24	373V9601M	Inside panel
4.25	36C96D1S	Side panel right
4.26	36C96S1S	Side panel left
	094226	Switch support front up
4.31	094412	Bracket
4.32	4219604Z	Rear insulation support
4.34	035097	Rotisserie hole plug
4.35	094266	Rotisserie motor support
4.36	081084/NS	Left stopper
4.37	081083/NS	Right stopper
4.38	46A9S02Z	Air conveyor
4.39	46A9S06Z	Funnel
4.40	079025	Tangential fan
4.41	053092	Funnel gasket
4.42	053097	Vibration-damper
4.43	46A9S05Z	Cavity left funnel
4.44	46A9S04Z	Cavity right funnel
4.50	45EN6106K	Oven side panel (Left)
4.51	45E96001K	Top oven panel
4.52	45EN6107K	Oven side panel (Right)
4.53	45H96006K	Body rear panel
4.55	45B96003K	Body front panel
4.56	45K96004Z	Lower element cover
4.57	211012	Clips

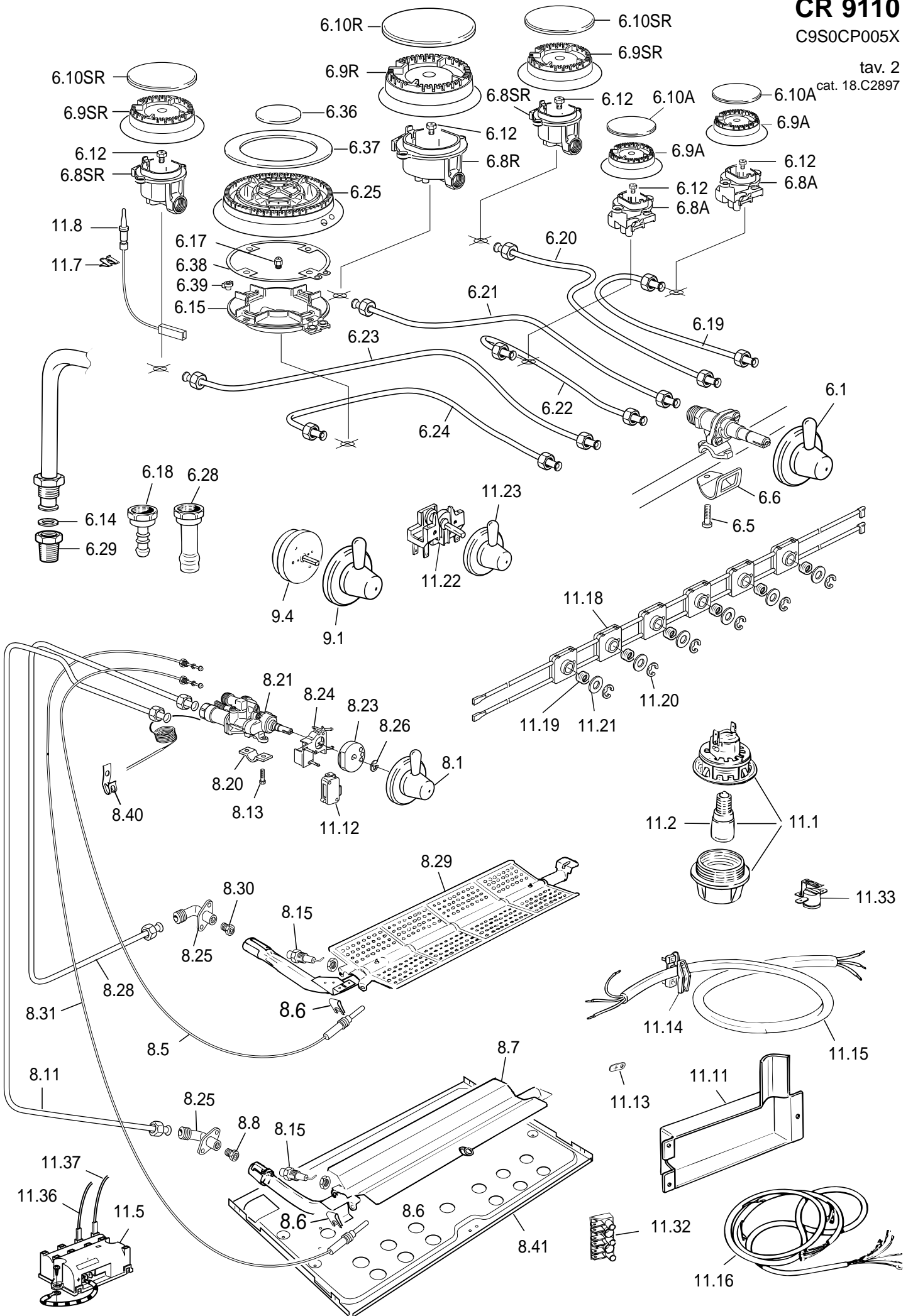
REF.	CODE	DESCRIPTION
5.1	032961902V	Door glass
5.3	037214062	Door handle
5.5	003057	Washer
5.6	001083	Screw
5.8	063100	Door hinge (male)
5.9	063066	Door hinge (female)
5.10	373F9604K	Door panel
5.11	053058	Gasket
5.12	0311292/TH	Inner glass
5.14	214021	Nut
5.15	001143	Screw
5.16	003035	Washer
5.17	103205	Washer
5.22	003041	Hinge washer
5.23	053083	Gasket
5.24	213029	Clip
5.26	001089	Screw
5.27	001007	Screw
7.1	217291	Shelf support
7.2	103560	Grill deflector
7.3	48B9601K	Oven tray
7.4	217403	Oven shelf
7.6	47E9604K	Oven floor
7.7	037208	Grill-pan grid handle
7.8	217524	Grill-pan grid
7.10	080027+037012	Rotisserie spear
7.11	079014	Rotisserie motor
7.12	217401.1	Rotisserie support

# CR 9110

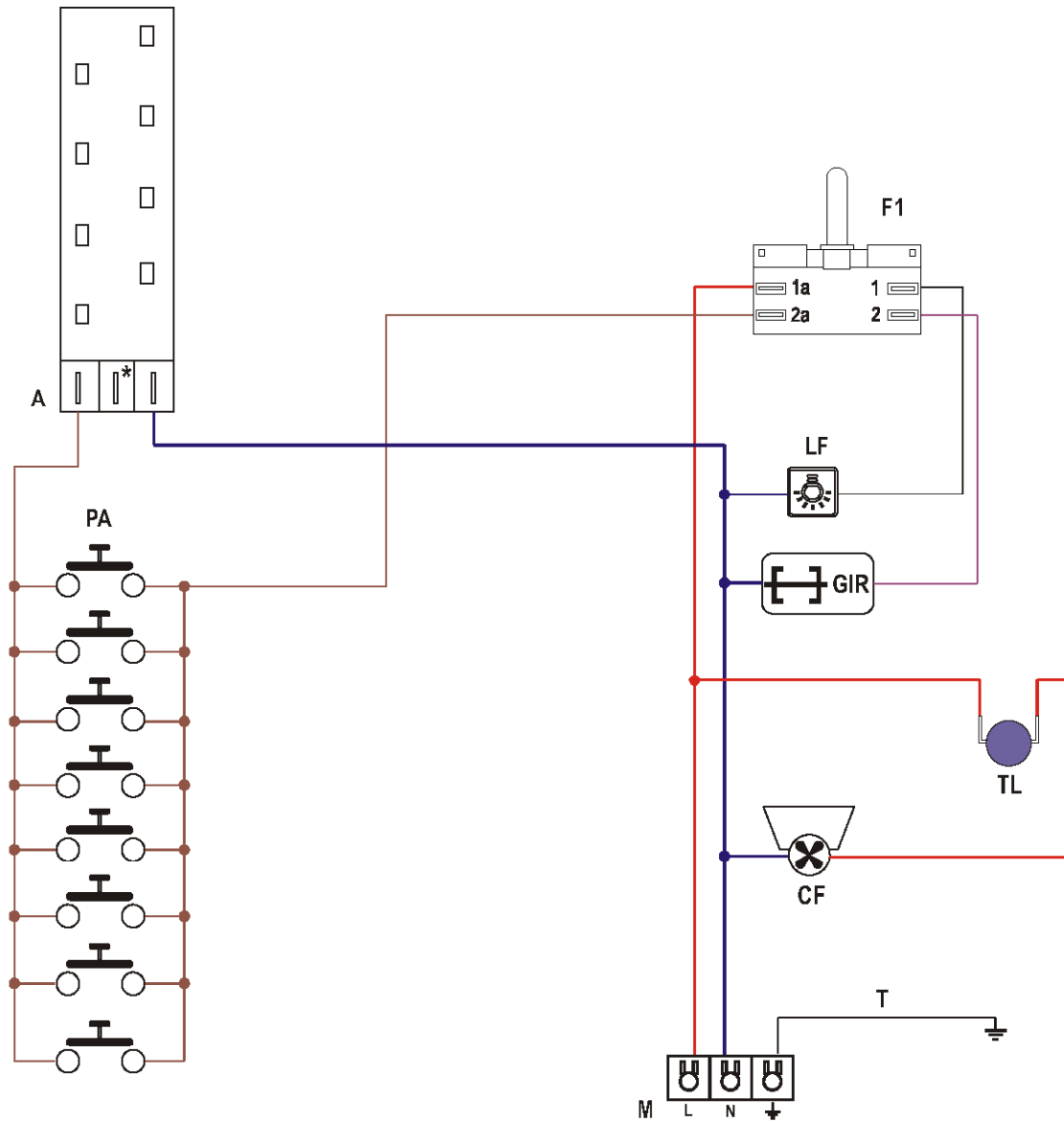
C9S0CP005X

tav. 2

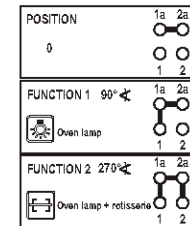
cat. 18.C2897



REF.	CODE	DESCRIPTION	REF.	CODE	DESCRIPTION
6.1	2185002340	Burner knob	8.25	067030	Elbow
6.4	106240	Tap - Ø 0.27 A	8.26	003039	Retaining ring
=	106241	Tap - Ø 0.32 SR	8.28	029628	Grill inlet pipe
=	106242	Tap - Ø 0.42 R	8.29	215448	Grill burner
=	106243	Tap - Ø 0.65 TR	8.30	101200	Grill burner injector - Ø 1.07 - G30
6.5	001233	Tap fixing screw	=	101202	Grill burner injector - Ø 1.65 - G20
6.6	094382	Tap bracket	8.31	107049	Oven thermocouple - L=1250
6.8A	215465	A burner-cup	8.40	213015	Clip
6.8SR	215466	SR burner-cup	8.41	4219603Z	Burner shield
6.8R	215467	R burner-cup			
6.9R	068111001	R burner head	9.1	2185002294	Alarm knob
6.9SR	068110001	SR burner head		085081	Knob sleeve
6.9A	068109001	A burner head			
6.10A	216129005A	A burner-cap	9.4	074009	60' alarm
6.10SR	216130005A	SR burner-cap			
6.10R	216131005A	R burner-cap			
6.12	101234	Injector - Ø 0.72 - G20	11.1	072004	Lamp holder
=	101235	Injector - Ø 0.97 - G20	11.2	073013001	Lamp
=	101236	Injector - Ø 1.15 - G20	11.5	082068.1	Burners ignition coil
6.12	101180	Injector - Ø 0.50 - G30	11.7	035094	Igniter spring
=	101181	Injector - Ø 0.65 - G30	11.8	084029	Igniter - L = 630 mm
=	101182	Injector - Ø 0.85 - G30	=	084035	Igniter TR - L = 900 mm
6.14	053024.1	Elbow gasket	=	084036	Igniter - L = 900 mm
6.15	215469	Burner-cup TR	11.11	103230.1A	Terminal block protection
6.17	101237	TR injector - Ø 1.35 - G20	11.12	077073	Switch
=	101233	TR injector - Ø 0.95 - G30	11.14	052008	Wire fastener
6.18	027014	LPG connection	11.15	054066	Cord 3x0,75
6.19	029626	A inlet pipe - front right	11.16	1131397	Wiring
6.20	029625	SR inlet pipe - rear right	11.18	103634	Ignition switches
6.21	029624	R inlet pipe - rear central	11.19	035080	Ignition switches spring
6.22	029623	A inlet pipe - front central	11.20	003039	Retaining ring
6.23	029622	SR inlet pipe - rear left	11.21	003038	Washer
6.24	029621	TR inlet pipe - front left	11.22	050035	Oven light switch
6.25	068112001	TR burner head	11.23	2185002294	Oven light switch knob
6.28	027013	Natural gas connection	11.32	051049	Terminal block 25A - 3P
6.29	067026	Connection	11.33	066080	Cut-off thermostat 55°
6.36	216132005A	Burner-cap inside TR	11.36	103289	Cable - L = 1700 mm
6.37	216133005A	Burner-cap outside TR	11.37	103290	Cable - L = 1300 mm
6.38	053078	Burner-cup gasket	-	1102108	Instruction booklet
6.39	040064	Stopper		6109S60002	LPG gas conversion kit
8.1	2185002340	Thermostat knob			
8.5	107048	Grill thermocouple - L=1100			
8.6	035098	Spring			
8.7	215439	Oven burner			
8.8	101201	Oven burner injector - Ø 1.20 - G30			
=	101203	Oven burner injector - Ø 1.80 - G20			
8.11	029627	Oven inlet pipe			
8.13	001189	Screw			
8.15	084034	Electrode			
8.20	094316	Bracket			
8.21	066089	Thermostat			
8.23	103392	Cam			
8.24	103439	Switch support			



**Switch**



**ELECTRIC DIAGRAM KEY**

- F1 Switch
- LF Oven lamp
- GIR Rotisserie
- CF Cooling fan
- TL Thermal overload
- A Ignition coil
- PA Ignition switches group
- M Terminal block
- T Earth connection



**CR910**

Caple 900 GAS Range 1 Cavity