



CR9105

Caple 900mm Range



TECHNICAL INFORMATION



New product information sheet

Product name: CR9105

Description: Dual fuel single cavity range cooker

Product code: CR9105

Width 900mm

Oven features

Energy class D

4 functions:

- *grill*
- *fan heat*
- *turbo defrost*
- *light*

100 litre capacity

Cooling fan

60 Minute audible timer

Hob features

5 Gas burners:

- *1 triple ring burner*

Cast iron pan supports

Auto electronic ignition



General features

Dual fuel

Flame safety device

Fingerprint-proof stainless steel front panel, doors and storage panel

Black side panels

Black glass doors

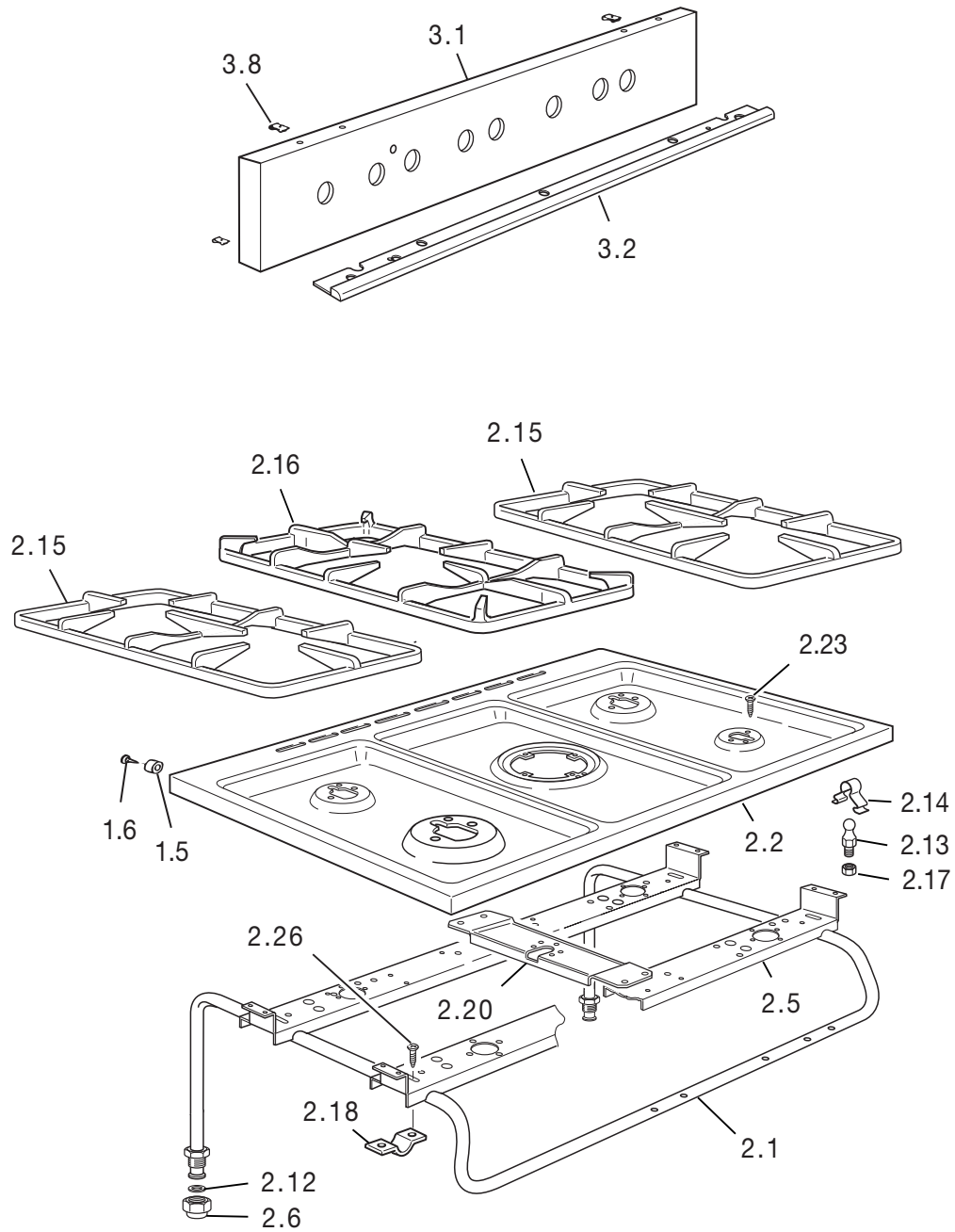
Double glazed doors with heat reflective glass

Closed door grilling

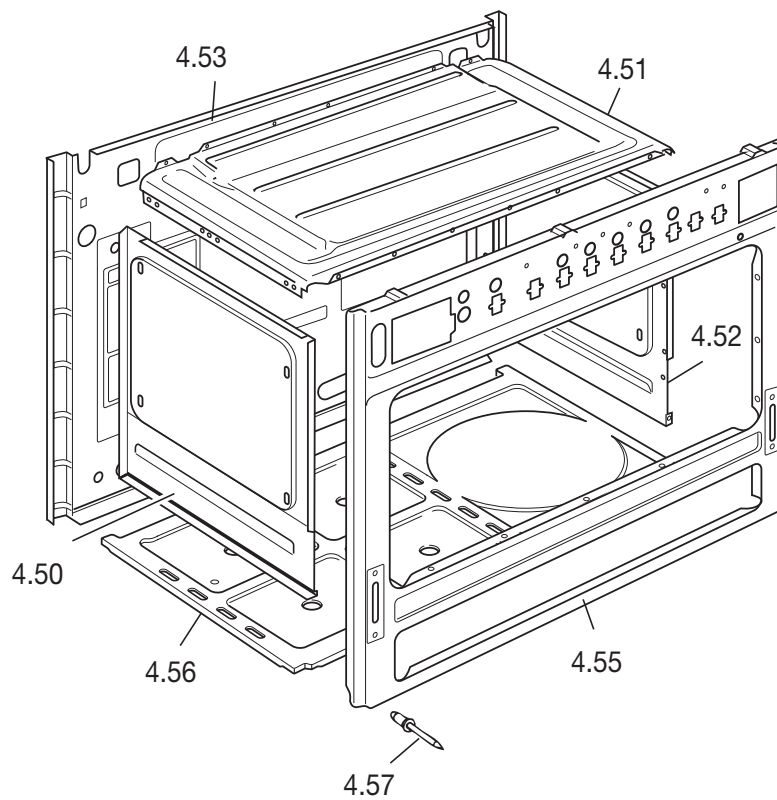
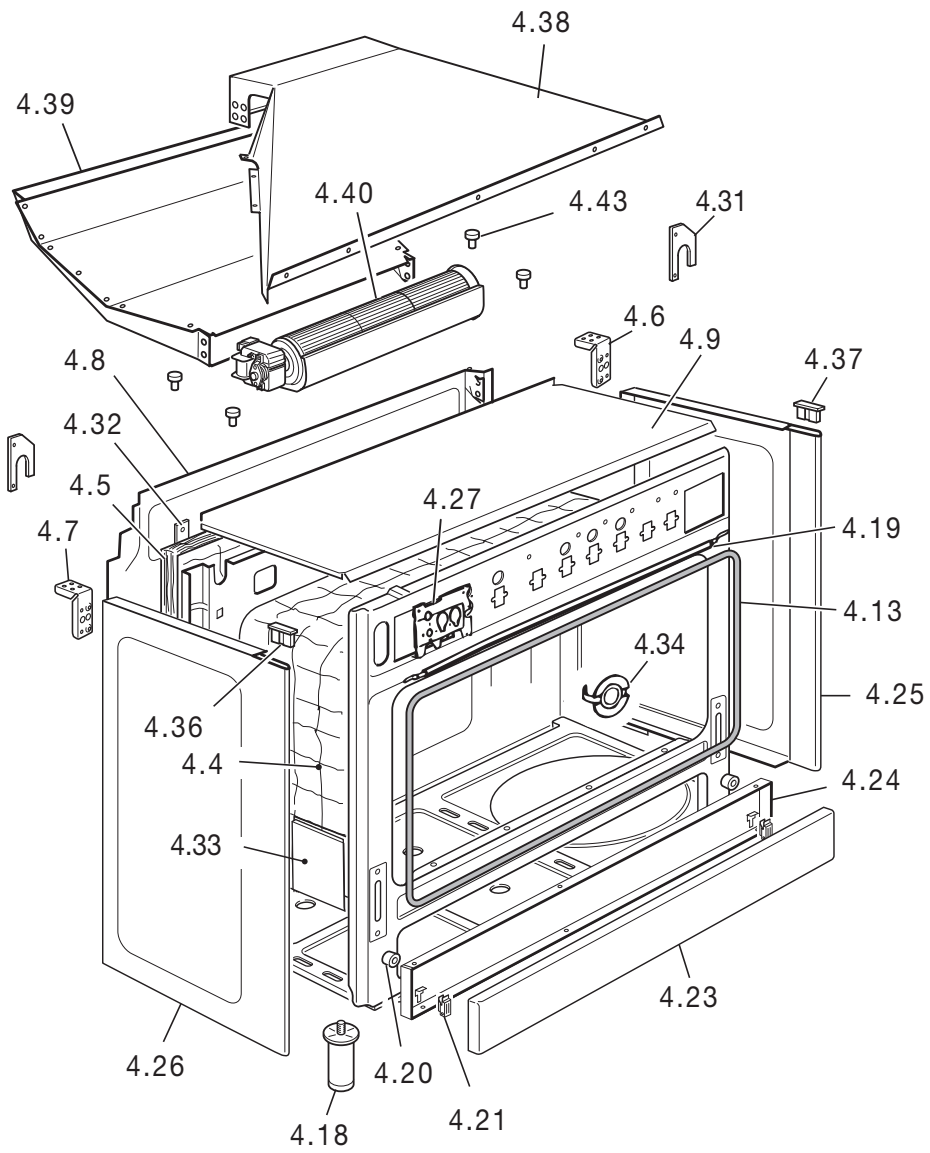
Storage compartment

LPG jets included

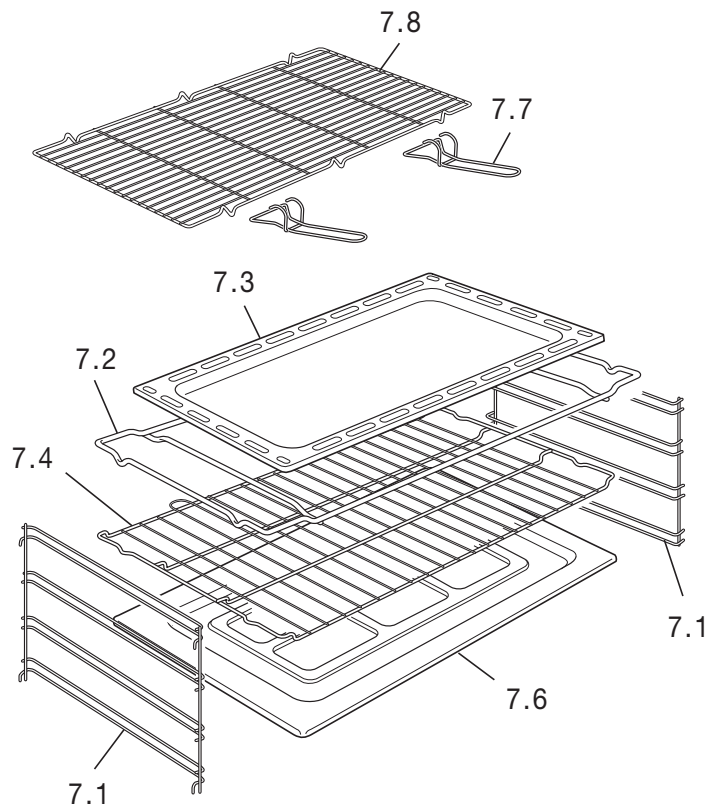
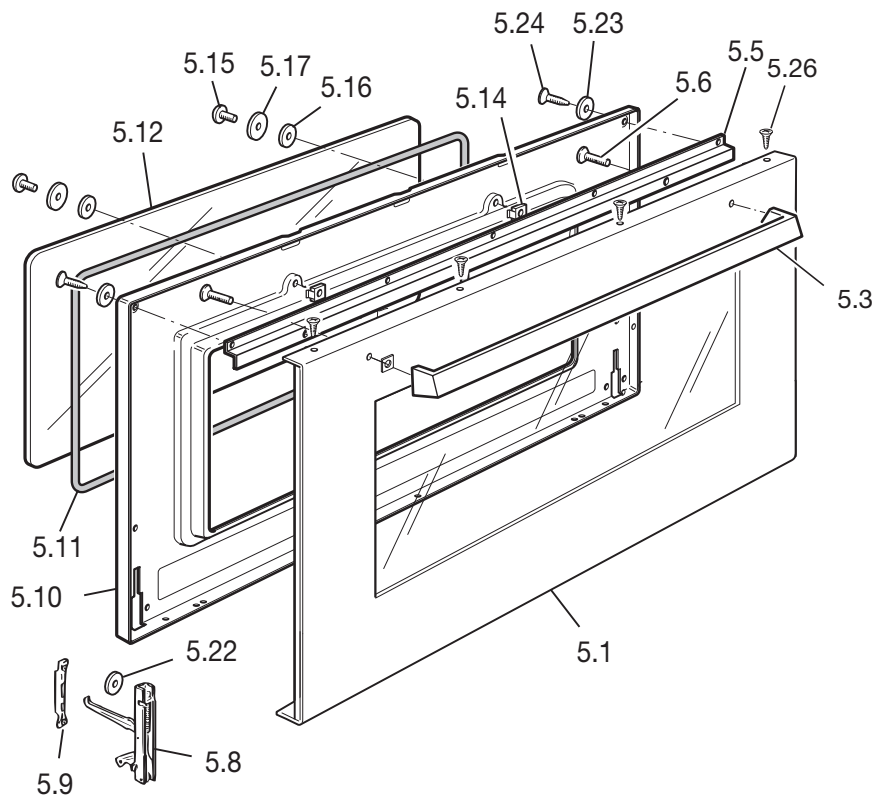
Self-cleaning catalytic liners available



Ref.	Part description	Product code	
		C9S0CP011X	
		Feature	Part code
1.5	Plug		040041001
1.6	Stainless steel screw		001007
2.1	Manifold		3429S50001
2.2	Cooktop		3319S502S
2.5	Burners support		51B9S01
2.6	Inlet pipe plug		027015
2.12	Gasket		053024.1
2.13	Pin		103615
2.14	Spring		035100
2.15	Pan-support		217566
2.16	Central pan-support		217639
2.17	Nut		214062
2.18	Fixing plate		094473
2.20	Cross-piece		51B9S05
2.23	Screw		001234.1
2.26	Screw		001167
3.1	Control panel		35N91A4LCP
3.2	Control panel trim		103760
3.8	Clips		213007

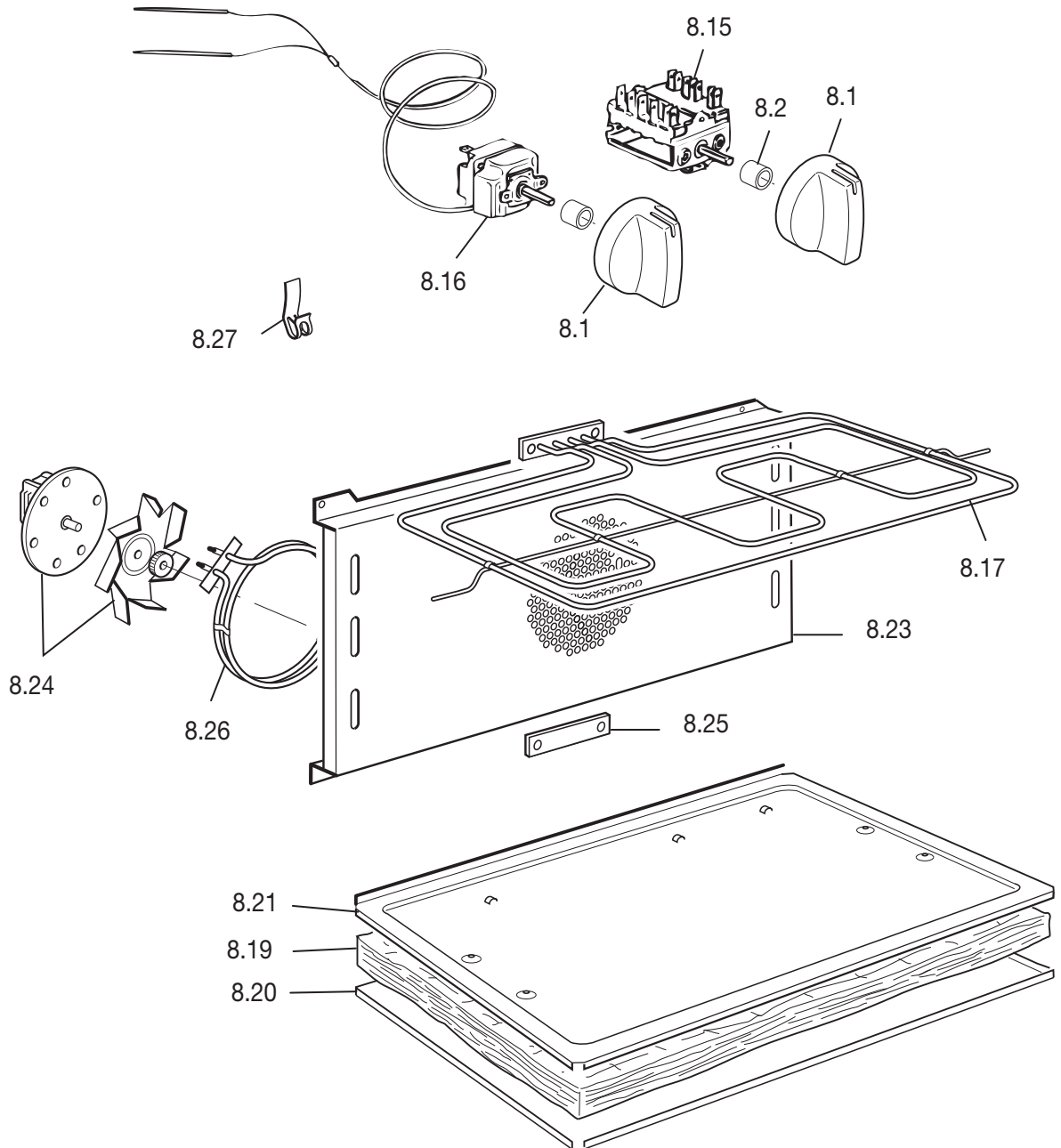


Ref.	Part description	Product code	
		C9S0CP011X	
		Feature	Part code
4.4	Oven insulation		030134.1
4.5	Rear insulation		030106.1
4.6	Rear right coupler		094417DX
4.7	Rear left coupler		094417SX
4.8	Rear panel		4119602
4.9	Upper shelter		4219S01Z
4.13	Seal		053101
4.18	Shim		103533.1
4.19	Top seal front ovens up		053095
4.20	Buffer		040061
4.21	Hinge		063075
4.23	Front panel		371V961LCP
4.24	Inside panel		373V9601Y
4.25	Side panel right		36C96D1H
4.26	Side panel left		36C96S1H
4.27	Switch support front up		094260
4.31	Bracket		094412
4.32	Rear insulation support		4219604Z
4.33	Hinge protection		58BN601
4.34	Rotisserie hole plug		035097
4.36	Left stopper		081084080
4.37	Right stopper		081083080
4.38	Air conveyor		46A9S02Z
4.39	Funnel		46A9S01Z
4.40	Tangential fan		079025
4.43	Vibration-damper buffer		040056
4.50	Oven side panel (Left)		45EN6106G
4.51	Top oven panel		45E96001G
4.52	Oven side panel (Right)		45EN6107G
4.53	Body rear panel		45H96005G
4.55	Body front panel		45B96004G
4.56	Lower element cover		45K96004Z
4.57	Clips		211012

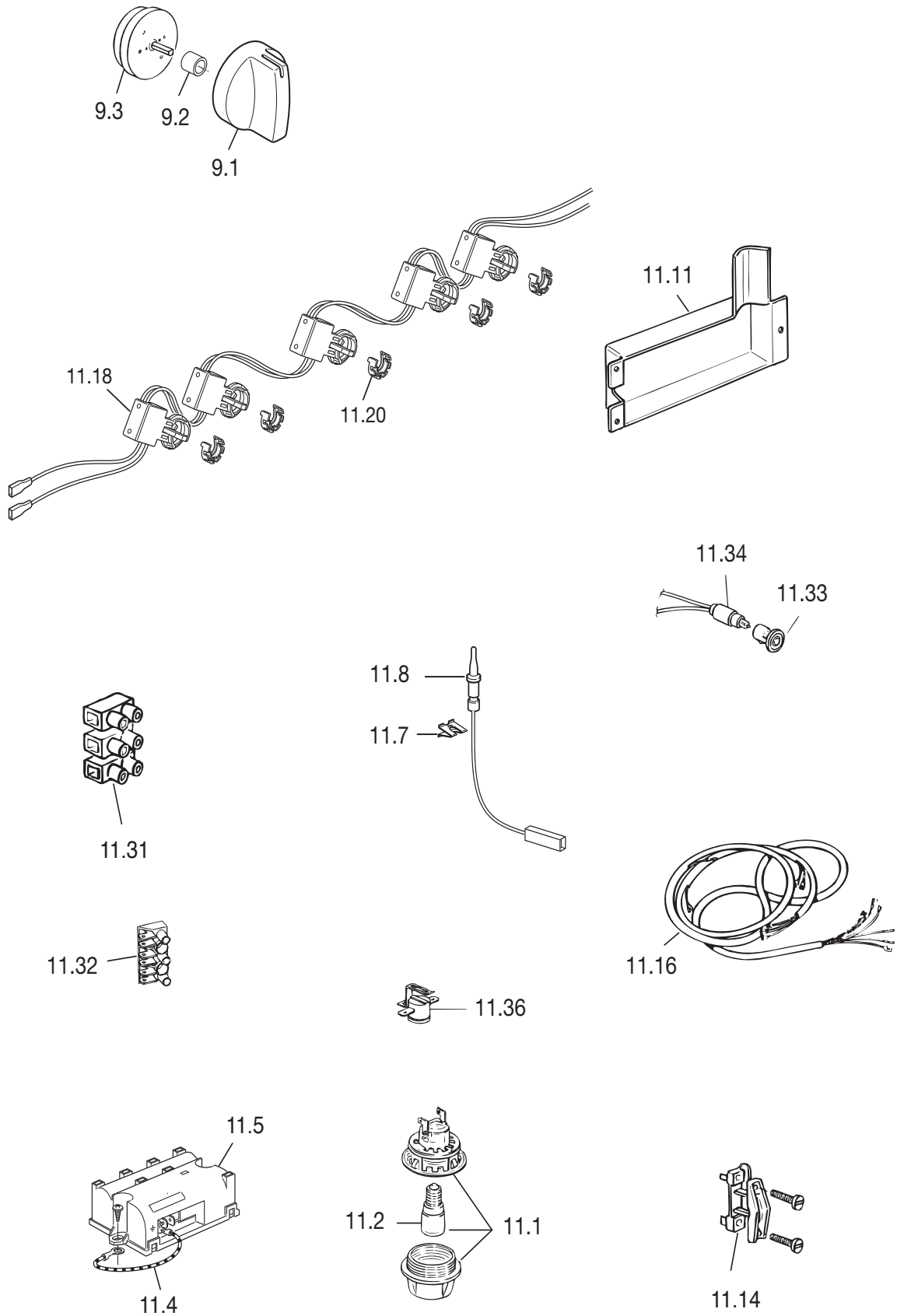


Ref.	Part description	Product code	
		C9S0CP011X	
		Feature	Part code
5.1	Door glass		032962820
5.3	Door handle		037302061
5.5	Cross-piece		51B9605
5.6	Screw		001245
5.8	Door hinge (male)		063073
5.9	Door hinge (female)		063066
5.10	Door panel		373F9605G
5.11	Gasket		053058
5.12	Inner glass		0311292/TH
5.14	Nut		214021
5.15	Screw		001143
5.16	Washer		003035
5.17	Washer		103205
5.22	Hinge washer		003062
5.23	Washer		003057
5.24	Screw		001007
5.26	Screw		001056
7.1	Shelf support		217291
7.2	Oven tray support		217497
7.3	Oven tray		48B8501G
7.4	Oven shelf		217496
7.6	Oven floor		47E9604G
7.7	Grill-pan grid handle		037208
7.8	Grill-pan grid		217523

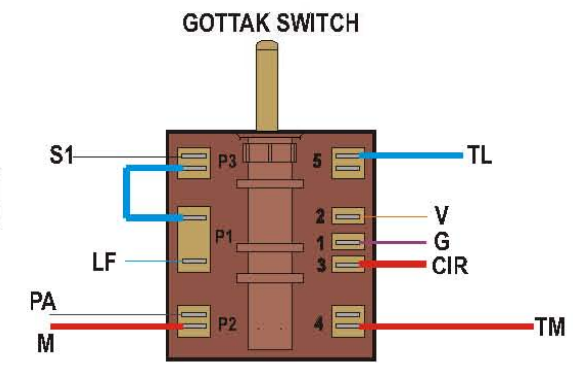
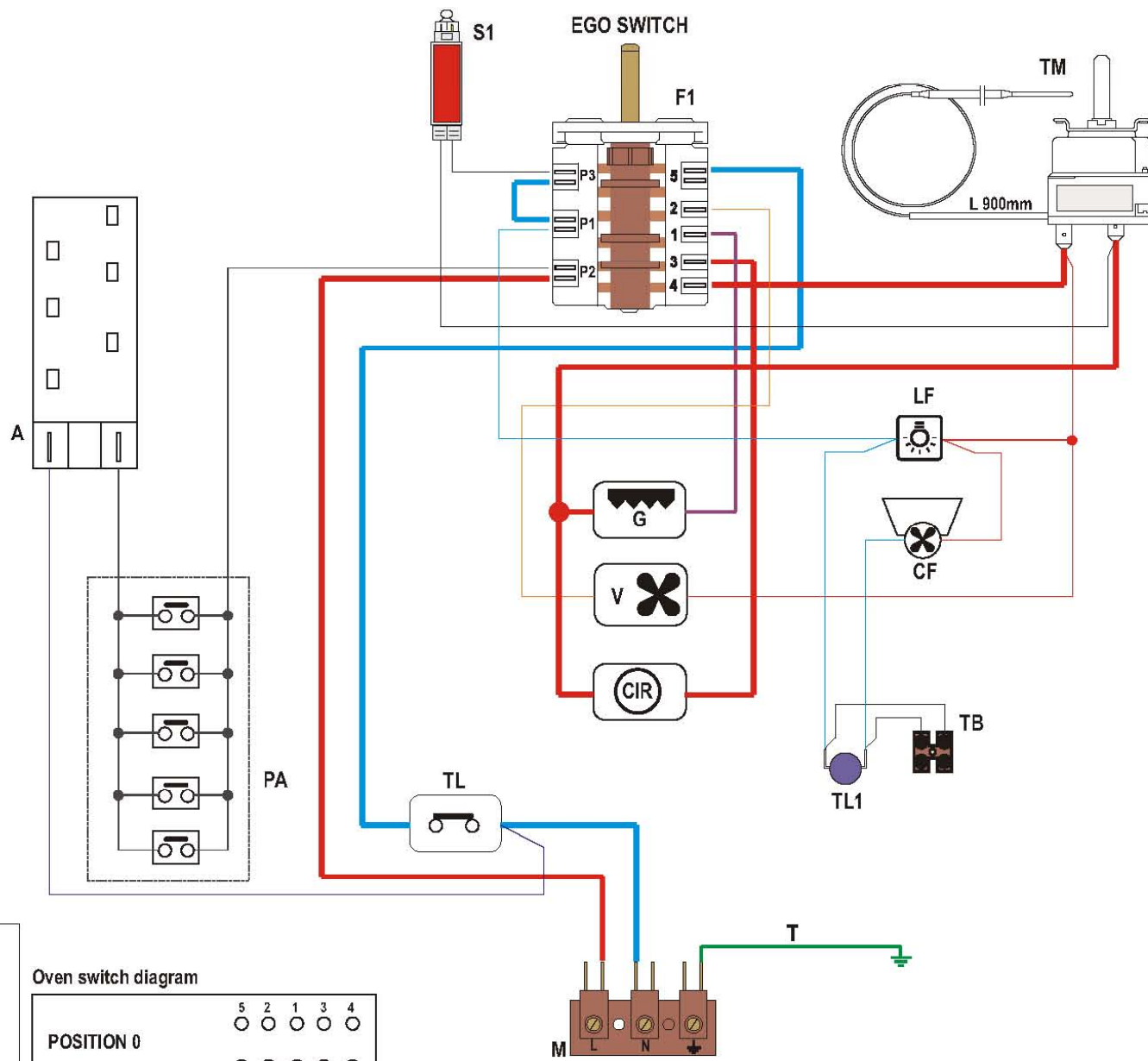
Ref.	Part description	Product code	
		C9S0CP011X	
		Feature	Part code
6.1	Burner knob		2182002416
6.4	Tap	Ø 0.28	106270
		Ø 0.33	106271
		Ø 0.43	106272
		Ø 0.63	106273
6.5	Tap fixing screw		001282
6.6	Tap bracket		094654
6.8A	Burner-cup	A	215465
6.8SR	Burner-cup	SR	215466
6.8R	Burner-cup	R	215467
6.9R	Burner head	R	068105001
6.9SR	Burner head	SR	068104001
6.9A	Burner head	A	068108001
6.10A	Burner-cap	A	216129005A
6.10SR	Burner-cap	SR	216130005A
6.10R	Burner-cap	R	216131005A
6.12	Injector	Ø 0.72 - G20	101234
		Ø 0.97 - G20	101235
		Ø 1.15 - G20	101236
		Ø 0.50 - G30	101180
		Ø 0.65 - G30	101181
		Ø 0.85 - G30	101182
6.14	Elbow gasket		053024.1
6.15	Burner-cup	TR	215469
6.17	Injector	Ø 1.35 - G20	101237
		Ø 0.95 - G30	101233
6.18	LPG connection		027014
6.19	Inlet pipe - front right	A	029633
6.20	Inlet pipe - rear right	SR	029632
6.21	Inlet pipe - central	TR	029649
6.22	Inlet pipe - front left	R	029650
6.23	Inlet pipe - rear left	SR	029630
6.25	Burner head	TR	068113
6.26	Burner thermocouple	L = 250	107038
		L = 500	107039
		L = 500	107043
6.27	Thermocouple nut		214057
6.28	Natural gas connection		027013
6.29	Connection		067026
6.36	Burner-cap inside	TR	216132005A
6.37	Burner-cap outside	TR	216133005A
6.38	Burner-cup gasket		053078



Ref.	Part description	Product code	
		C9S0CP011X	
		Feature	Part code
8.1	Oven knob		2182002417
8.2	Oven knob sleeve		085081
8.15	Oven switch		050066
8.16	Oven thermostat		066072
8.17	Top element	230V	062074004
8.19	Bottom element insulation		030076.1
8.20	Bottom insulation support		4219602Z
8.21	Bottom element support		4219605Z
8.23	Fan diffuser		47A9601G.2
8.24	Fan motor	220/240 V	079008001F
8.25	Element plug		094364
8.26	Fan element	230V	062057004
8.27	Clip		213025



Ref.	Part description	Product code	
		C9S0CP011X	
		Feature	Part code
9.1	Alarm knob		2182002417
9.2	Alarm knob sleeve		085081
9.3	60' alarm		074009
11.1	Lamp holder		072004
11.2	Lamp - 15 W		073013001
11.4	Burner ignition coil cable		103288
11.5	6 burners ignition coil		082048.1
11.7	Igniter spring		035094
11.8	Igniter	L = 630	084029
		TR - L = 500	084033
		L = 900	084036
11.11	Terminal block protection		103230.1A
11.14	Wire fastener		052008
11.16	Wiring		1131783
11.18	Ignition switches		1031237
11.20	Retaining ring		003077
11.31	Terminal block	25A - 3P	051049
11.32	Terminal block	16A - 2P	051036
11.33	Control lamp lens - Red		07306202.2
11.34	Control neon	L = 230	073039.2
11.36	Cut-off thermostat	160°	066123
		55°	066080
-	LPG gas conversion kit		6109S50004
-	Instruction booklet		1103512



ELECTRIC DIAGRAM KEY

- F1 Oven switch
- TM Oven thermostat
- TL Thermal overload
- LF Oven lamp
- C Top element
- G Grill element
- CIR Circular element
- V Fan
- CF Cooling fan
- S1 Thermostat pilot lamp
- PA Ignition switches group
- A Ignition coil
- M Terminal block
- T Earth connection
- T11 Thermal overload
- TB Testing block

Oven switch diagram

