



CR9100

Caple 900 Range 1 Cavity

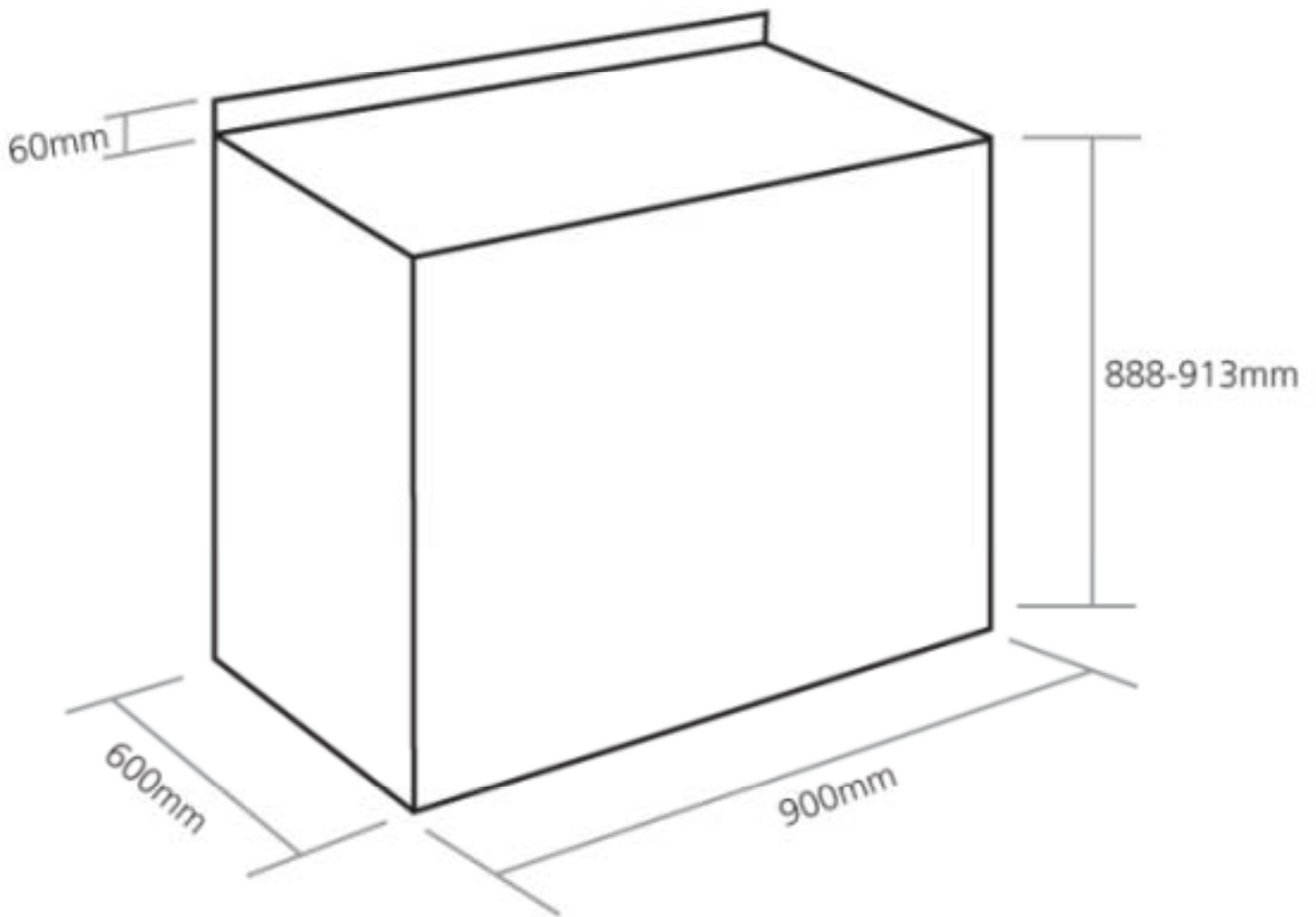


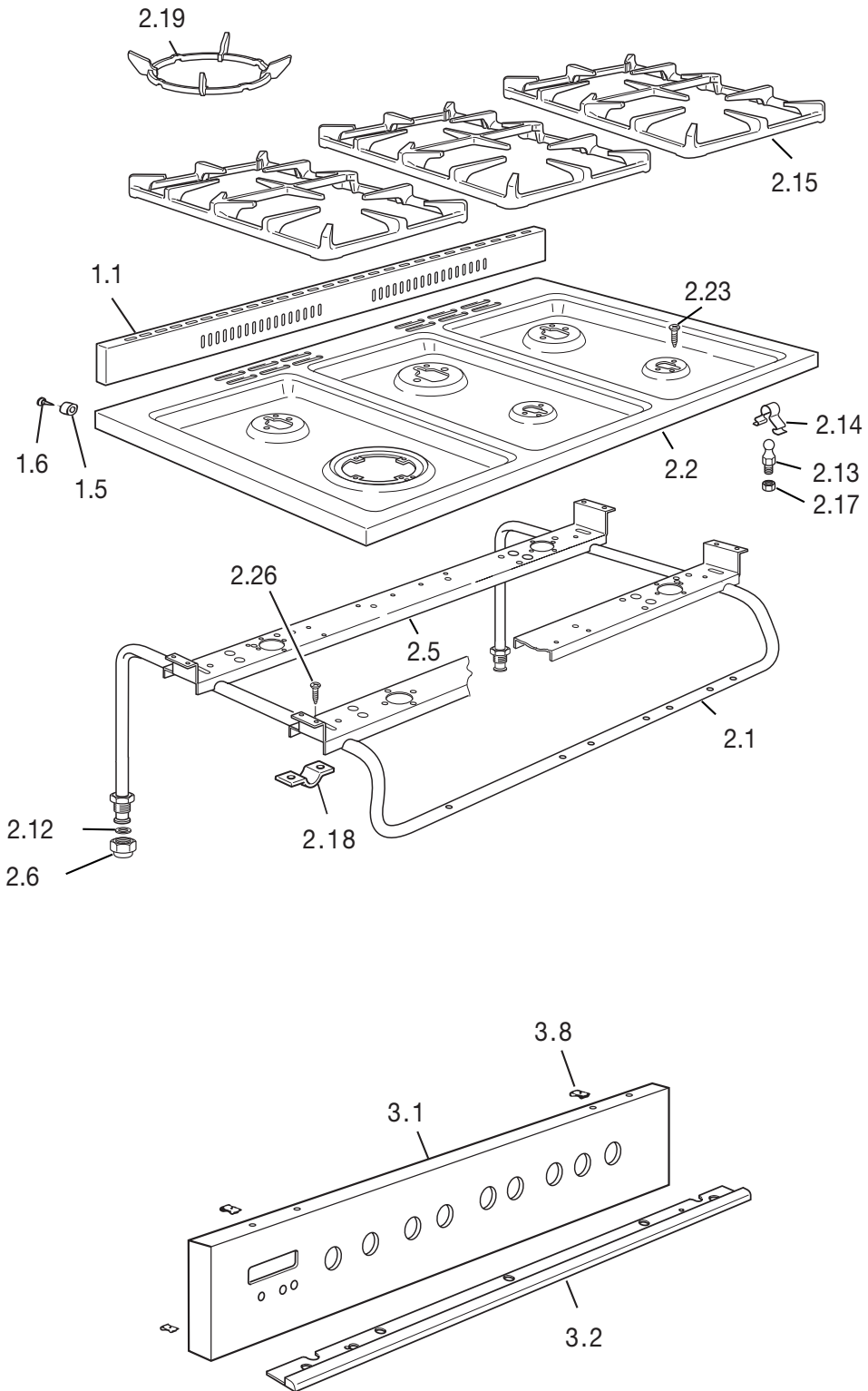
TECHNICAL INFORMATION



CR9100

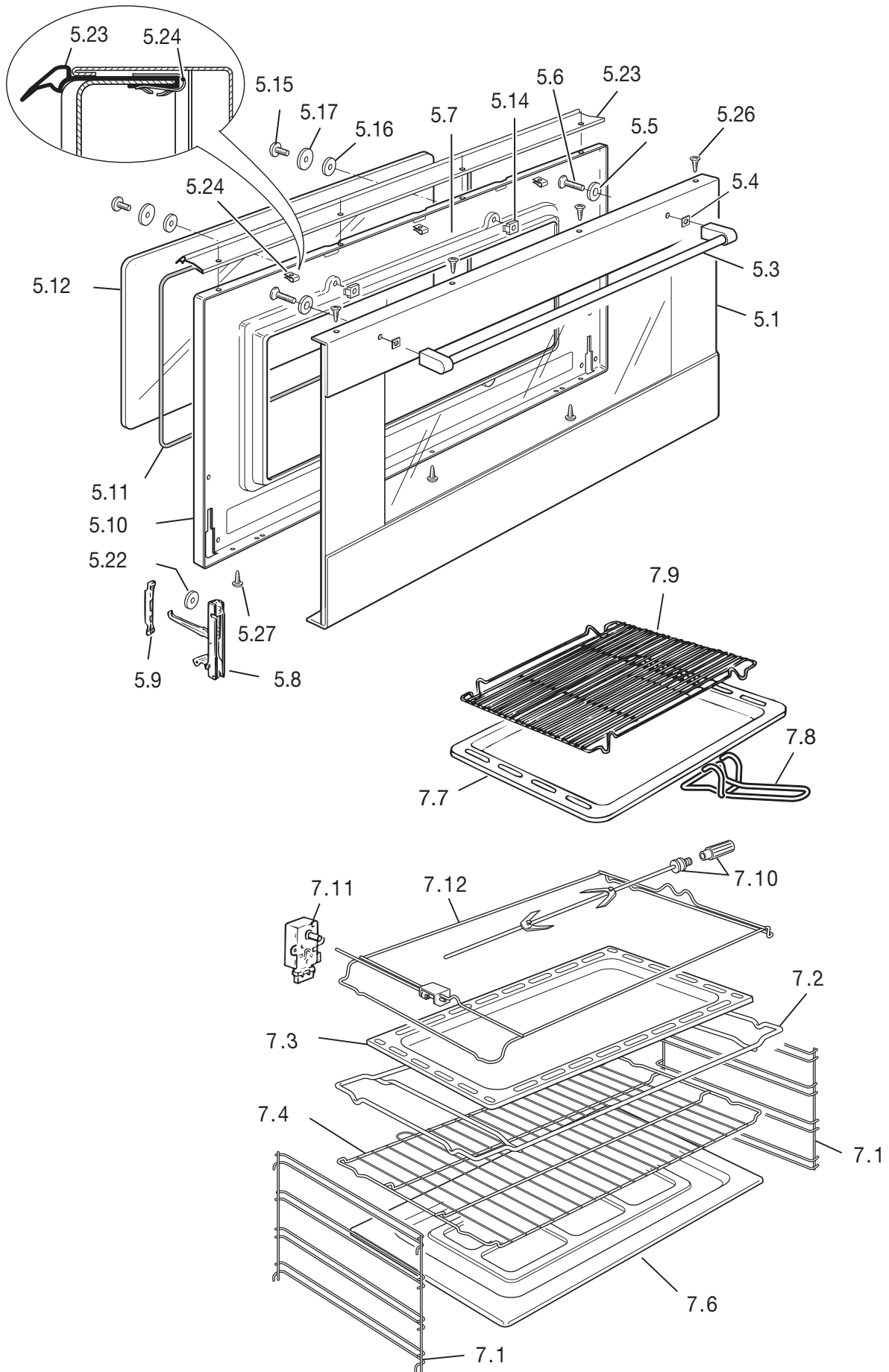
Caple 900 Range 1 Cavity



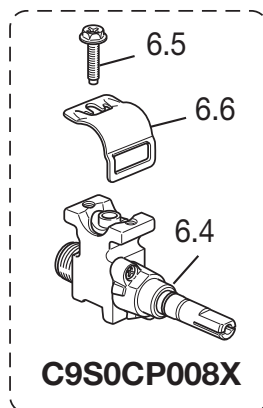
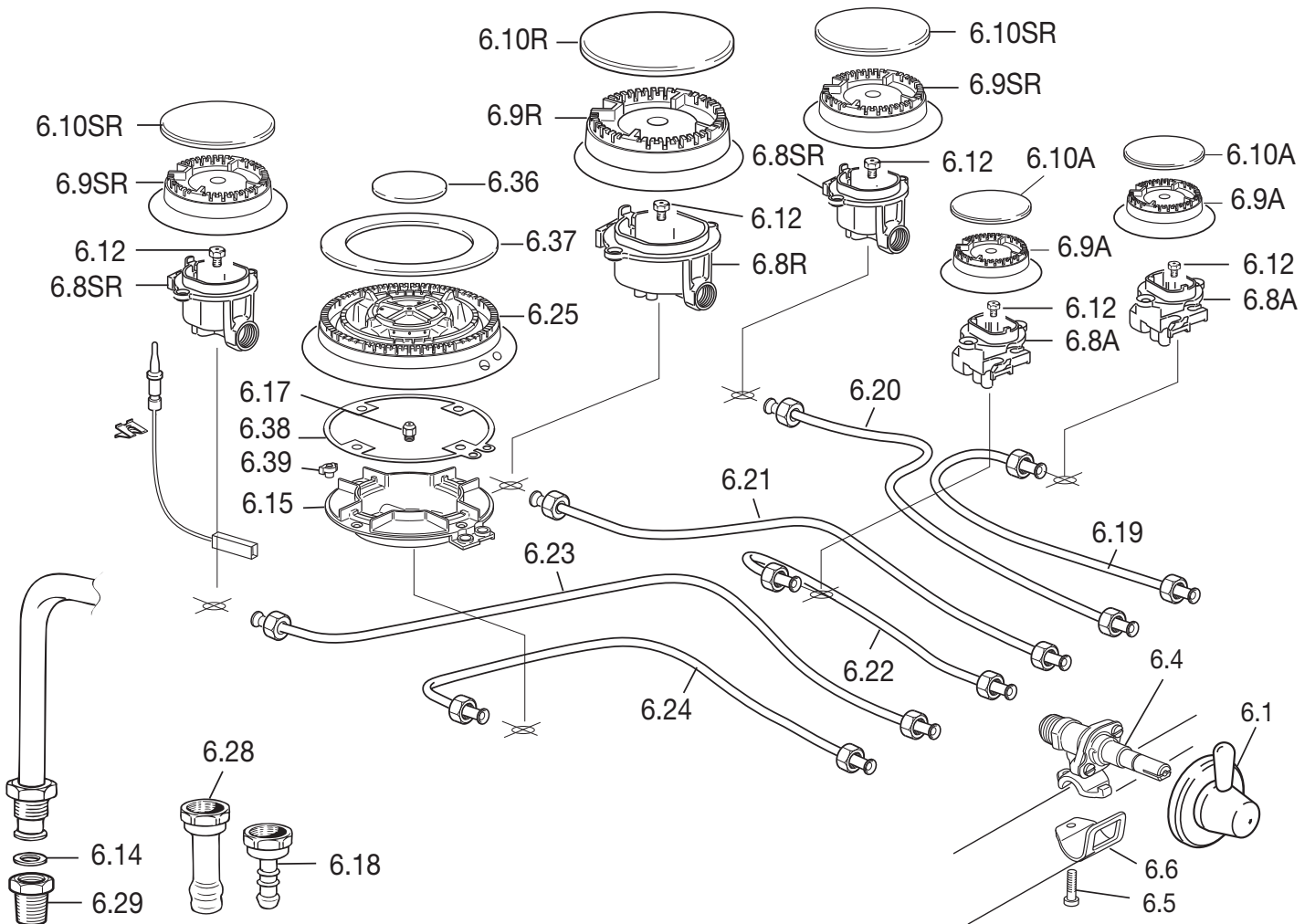


Ref.	Part description	Product code		Product code	
		C9S0CP006X		C9S0CP008X	
		Feature	Part code	Feature (*)	Part code (*)
1.1	Rear trim		103630061		103630063
1.5	Plug		040041001		
1.6	Stainless steel screw		001007		
2.1	Manifold		3429S60001		
2.2	Cooktop		3319S601S		
2.5	Burners support		51B9S01		
2.6	Inlet pipe plug		027015		
2.12	Gasket		053024.1		
2.13	Pin		103615		
2.14	Spring		035100		
2.15	Pan-support		217530		
2.17	Nut		214062		
2.18	Fixing plate		094254		094473
2.19	Wok grid		217498		
2.23	Screw		001234		001234.1
2.26	Screw		001008		001167
3.1	Control panel		35C9137SC2		35N9137UC2
3.2	Control panel trim		103631		103760
3.8	Clips		213007		

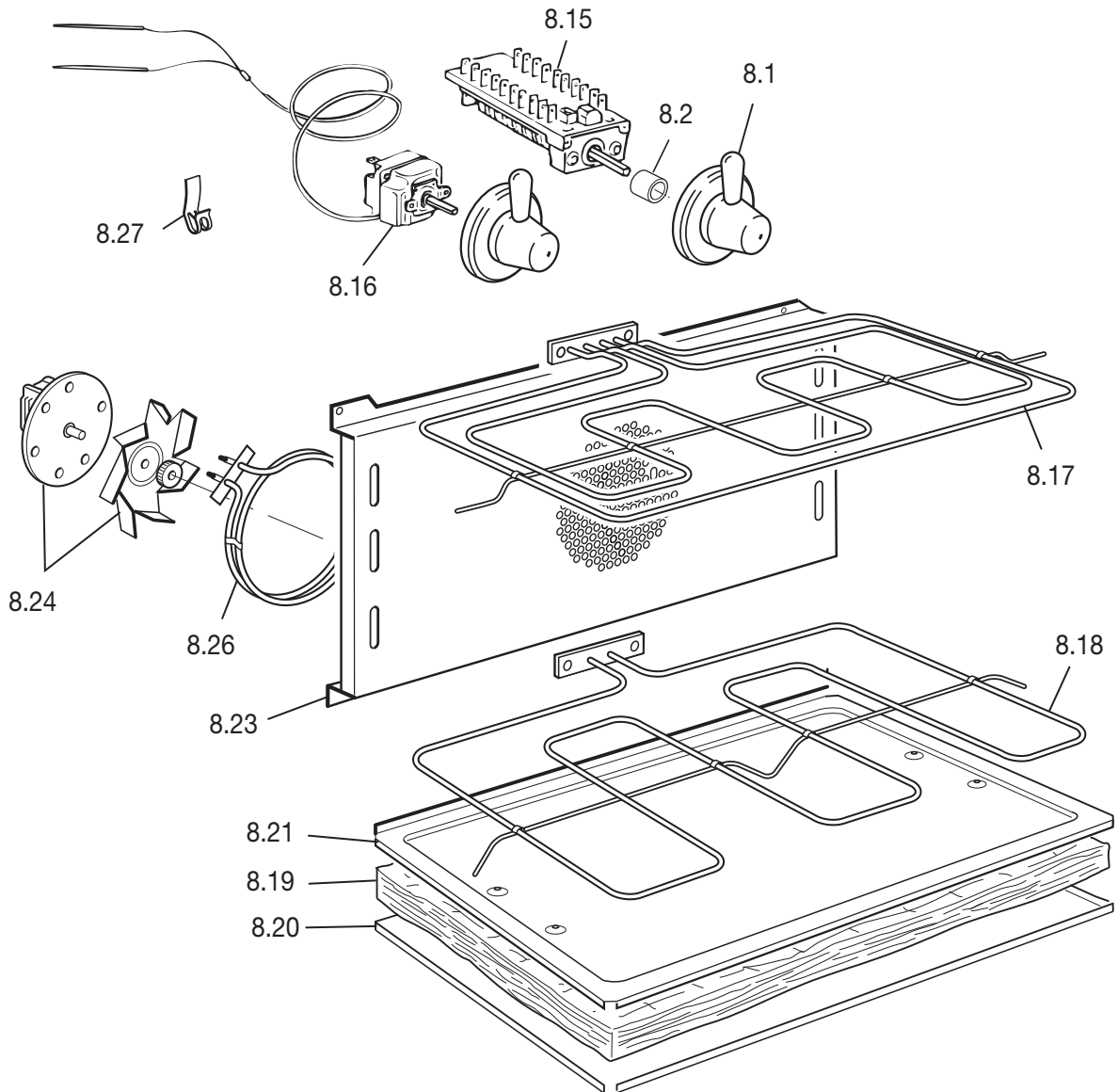
Ref.	Part description	Product code		Product code	
		C9S0CP006X		C9S0CP008X	
		Feature	Part code	Feature (*)	Part code (*)
4.4	Oven insulation		030134.1		
4.5	Rear insulation		030106.1		
4.6	Rear right coupler		094417DX		
4.7	Rear left coupler		094417SX		
4.8	Rear panel		4119602		
4.9	Upper shelter		4219S01Z		
4.13	Seal		053101		
4.18	Shim		103533.1		
4.20	Buffer		040061		
4.21	Hinge		063075		
4.23	Front panel		371V9601YS		371V9601U
4.24	Inside panel		373V9601M		373V9601Y
4.25	Side panel right		36C96D1S		
4.26	Side panel left		36C96S1S		
4.27	Switch support front up		094226		
4.31	Bracket		094412		
4.32	Rear insulation support		4219604Z		
4.33	Hinge protection		58BN601		
4.34	Rotisserie motor protection		103505		
4.35	Rotisserie motor support		094266		
4.36	Left stopper		081067/NS		081084/NS
4.37	Right stopper		081068/NS		081083/NS
4.38	Air conveyor		46A9S02Z		
4.39	Funnel		46A9S01Z		
4.40	Tangential fan		079025		
4.41	Funnel gasket		053092		NO
4.42	Vibration-damper		053097		NO
4.45	Vibration-damper buffer		NO		040056
4.50	Oven side panel (Left)		45EN6106K		45EN6106G
4.51	Top oven panel		45E96001K		45E96001G
4.52	Oven side panel (Right)		45EN6107K		45EN6107G
4.53	Body rear panel		45H96005K		45H96005G
4.55	Body front panel		45B96003K		45B96003G
4.56	Lower element cover		45K96004Z		
4.57	Clips		211012		



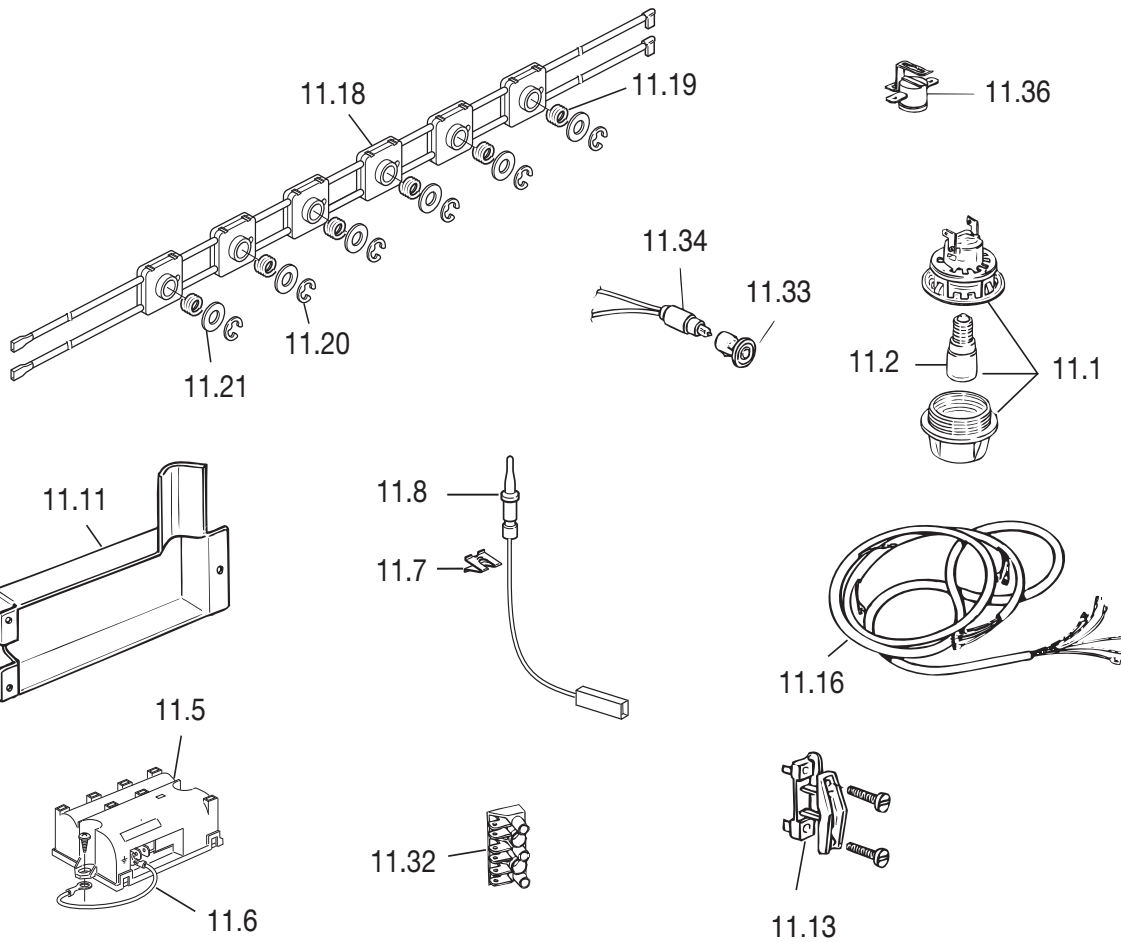
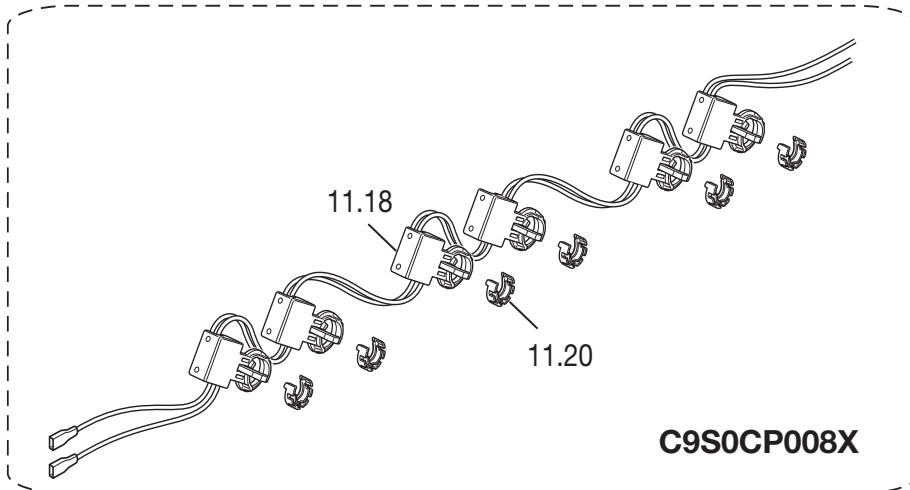
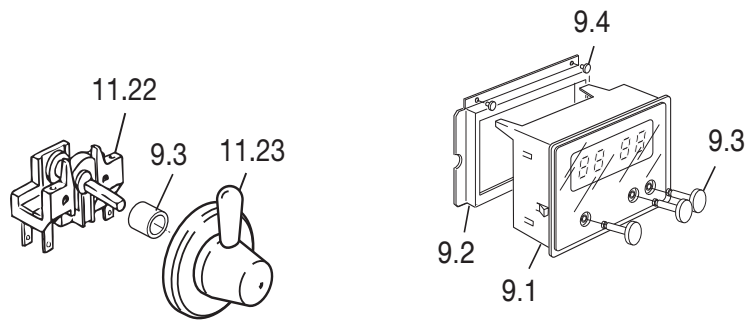
Ref.	Part description	Product code		Product code	
		C9S0CP006X		C9S0CP008X	
		Feature	Part code	Feature (*)	Part code (*)
5.1	Door glass		032961902V		0329619024
5.3	Door handle		037214062		
5.4	Washer		NO		103686.1
5.5	Washer		003057		
5.6	Screw		001083		
5.8	Door hinge (male)		063100		
5.9	Door hinge (female)		063066		
5.10	Door panel		373F9604K		373F9604G
5.11	Gasket		053058		
5.12	Inner glass		0311292/TH		
5.14	Nut		214021		
5.15	Screw		001143		
5.16	Washer		003035		
5.17	Washer		103205		
5.22	Hinge washer		003041		
5.23	Gasket		053083		
5.24	Clip		213029		
5.26	Screw		001089		
5.27	Screw		001007		
7.1	Shelf support		217291		
7.2	Oven tray support		217497		
7.3	Oven tray		48B8501K		48B8501G
7.4	Oven shelf		217496		
7.6	Oven floor		47E9604K		47E9604G
7.7	Oven tray		48B6101K		48B6101G
7.8	Grill-pan grid handle		037144		
7.9	Grill-pan grid		217397		
7.10	Rotisserie spear		080027+037012		
7.11	Rotisserie motor		079014		
7.12	Rotisserie support		217401.1		



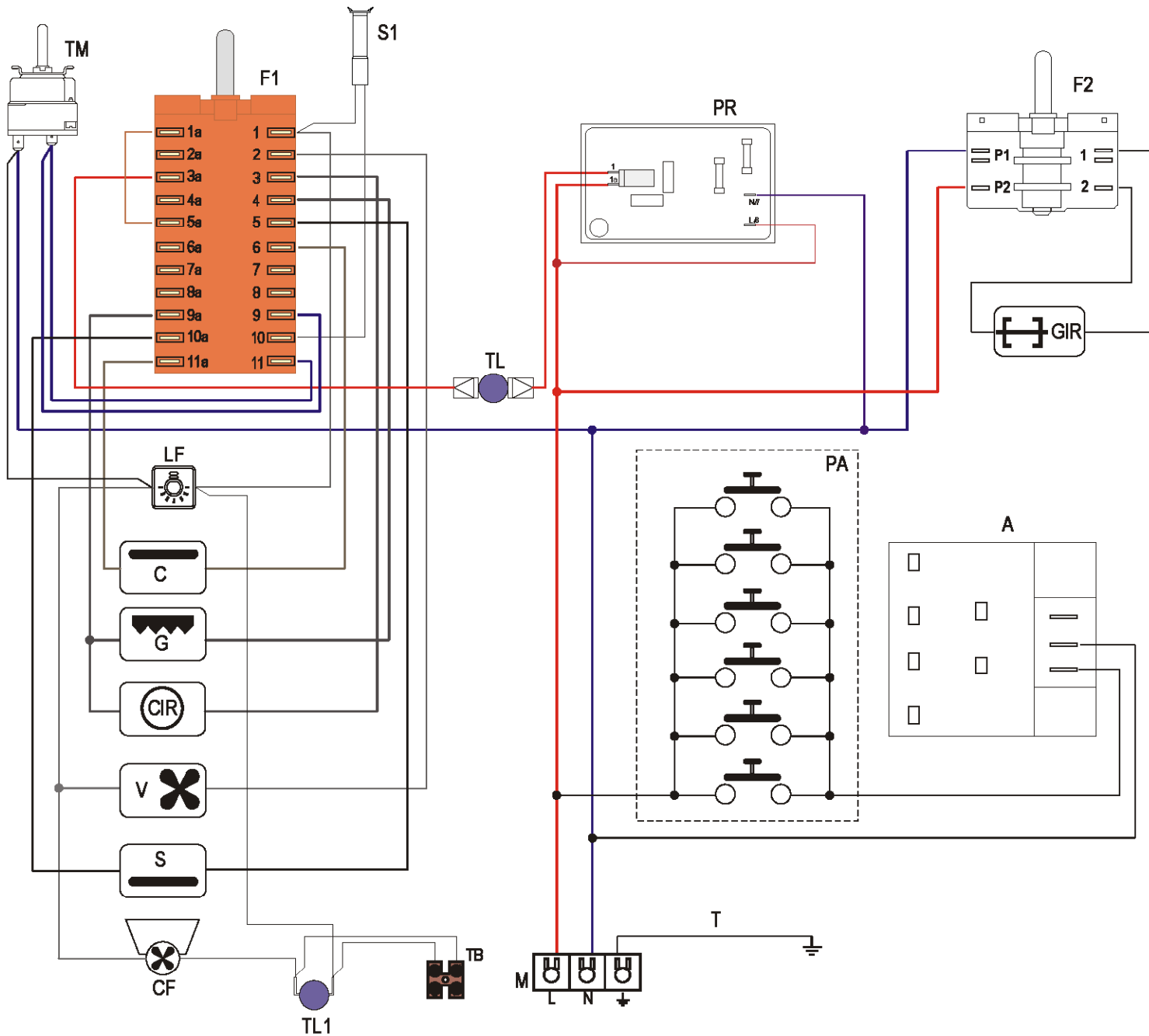
Ref.	Part description	Product code		Product code	
		C9S0CP006X		C9S0CP008X	
		Feature	Part code	Feature (*)	Part code (*)
6.1	Burner knob		2185002340		
6.4	Tap	Ø 0.27	106240	Ø 0.28	106266
		Ø 0.32	106241	Ø 0.33	106267
		Ø 0.42	106242	Ø 0.43	106268
		Ø 0.65	106243	Ø 0.63	106269
6.5	Tap fixing screw		001233		001282
6.6	Tap bracket		094382		094653
6.8A	Burner-cup	A	215465		
6.8SR	Burner-cup	SR	215466		
6.8R	Burner-cup	R	215467		
6.9R	Burner head	R	068111001		
6.9SR	Burner head	SR	068110001		
6.9A	Burner head	A	068109001		
6.10A	Burner-cap	A	216129005A		
6.10SR	Burner-cap	SR	216130005A		
6.10R	Burner-cap	R	216131005A		
6.12	Injector	Ø 0.72 - G20	101234		
		Ø 0.97 - G20	101235		
		Ø 1.15 - G20	101236		
		Ø 0.50 - G30	101180		
		Ø 0.65 - G30	101181		
		Ø 0.85 - G30	101182		
6.14	Elbow gasket		053024		053024.1
6.15	Burner-cup	TR	215469		
6.17	Injector	Ø 1.35 - G20	101237		
		Ø 0.95 - G30	101233		
6.18	LPG connection		027014		
6.19	Inlet pipe - front right	A	029626		
6.20	Inlet pipe - rear right	SR	029625		
6.21	Inlet pipe - rear central	R	029624		
6.22	Inlet pipe - front central	A	029623		
6.23	Inlet pipe - rear left	SR	029622		
6.24	Inlet pipe - front left	TR	029621		
6.25	Burner head	TR	068112001		
6.28	Natural gas connection		027013		
6.29	Connection		067026		
6.36	Burner-cap inside	TR	216132005A		
6.37	Burner-cap outside	TR	216133005A		
6.38	Burner-cup gasket		053078		
6.39	Stopper		040064		



Ref.	Part description	Product code		Product code	
		C9S0CP006X		C9S0CP008X	
		Feature	Part code	Feature (*)	Part code (*)
8.1	Oven knob		2185002294		
8.2	Knob sleeve		NO		085081
8.15	Oven switch		050028.1		
8.16	Oven thermostat		066072		
8.17	Top element	230 V	062100004		
8.18	Bottom element	230 V	062101004		
8.19	Bottom element insulation		030076.1		
8.20	Bottom insulation support		4219602Z		
8.21	Bottom element support		4219605Z		
8.23	Fan diffuser		47A9601K.1		47A9601G.2
8.24	Fan motor	220/240 V	079026		079008001F
8.26	Fan element	230 V	062057004		
8.27	Clip		213025		



Ref.	Part description	Product code		Product code	
		C9S0CP006X		C9S0CP008X	
		Feature	Part code	Feature (*)	Part code (*)
9.1	Electronic timer		074055		
9.2	Electronic timer seal		094363		
9.3	Button (Black)		103271080		
9.4	Protection		040056		
11.1	Lamp holder		072004		
11.2	Lamp		073013001		
11.5	Burners ignition coil		082054		082048.1
11.6	Burners ignition coil cable		NO		103288
11.7	Igniter spring		035094		
11.8	Igniter	L = 630 mm	084029		
		TR - L = 900 mm	084035		
		L = 900 mm	084036		
11.11	Terminal block protection		103230.1		103230.1A
11.13	Wire fastener		052002		052008
11.16	Wiring		1131434		
11.18	Ignition switches		103633		1031236
11.19	Ignition switches spring		035080		NO
11.20	Retaining ring		003039		003077
11.21	Washer		003038		NO
11.22	Oven light switch		050058		
11.23	Switch oven knob		2185002294		
11.32	Terminal block		051039		051049
			NO		051036
11.33	Control lamp cover - Red		073016025		073035
11.34	Control lamp	L=200	073038		073038.2
11.36	Cut-off thermostat	55°	066080		
		160°	066123		
-	LPG gas conversion kit		6109S60001		
-	Instruction booklet		1102225		



Oven switch diagram

POSITION 0	1 2 3 4 5 6 7 8 9 10 11
FUNCTION 1 40°C Oven light	1a 2a 3a 4a 5a 6a 7a 8a 9a 10a 11a
FUNCTION 2 80°C Traditional convection cooking	
FUNCTION 3 120°C Grilling	
FUNCTION 4 160°C Defrosting frozen foods	
FUNCTION 5 200°C Hot air cooking	
FUNCTION 6 240°C Ventilated grill cooking	
FUNCTION 7 280°C Maintaining temperature after cooking or slowly heating foods	
FUNCTION 8 320°C Convection cooking with ventilation	

Rotisserie switch

POSITION	P1 P2
0	1 2
FUNCTION 1 90°C	1 2

ELECTRIC DIAGRAM KEY

- F1 Oven switch
- TM Thermostat
- LF Oven lamp
- F2 Rotisserie switch
- GIR Rotisserie
- CF Cooling fan
- PR Oven programmer
- C Top element
- G Grill element
- V Fan
- S Bottom element
- CIR Circular element
- PA Ignition switches group
- A Ignition coil
- TL Thermal overload
- S1 Thermostat pilot lamp
- M Terminal block
- T Earth connection
- TL1 Thermal overload
- TB Testing block

caple

CR9100

Caple 900 Range 1 Cavity