



CR9100

Caple 900 Range 1 Cavity

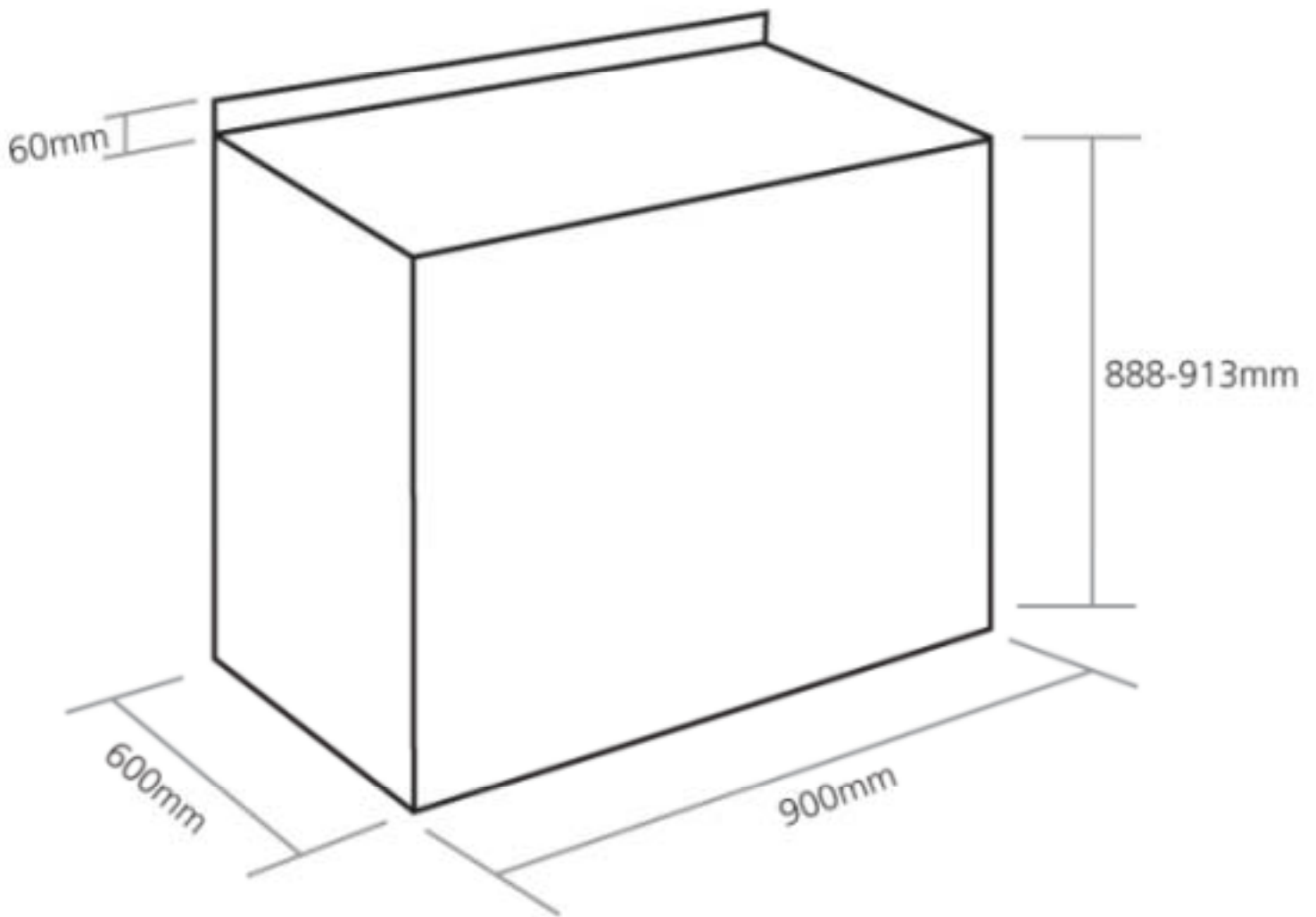


TECHNICAL INFORMATION



CR9100

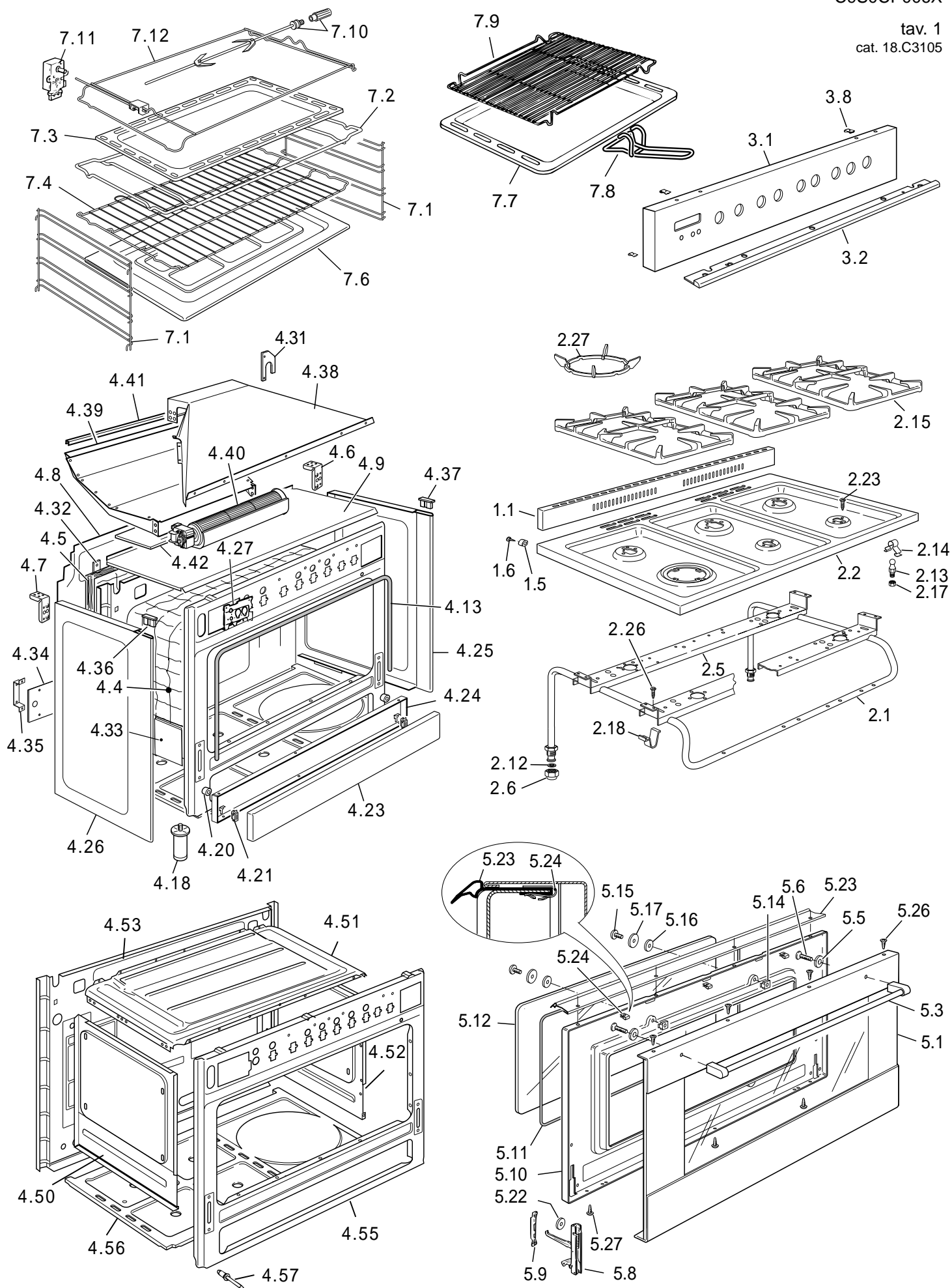
Caple 900 Range 1 Cavity



CR 9100/1

C9S0CP006X

tav. 1
cat. 18.C3105



REF.	CODE	DESCRIPTION
1.1	103630063	Rear trim
1.5	040041001	Plug
1.6	001007	Stainless steel screw
2.1	3429S60001	Manifold
2.2	3319S601S	Cooktop
2.5	51B9S01	Burners support
2.6	027015	Inlet pipe plug
2.12	053024.1	Gasket
2.13	103615	Pin
2.14	035100	Spring
2.15	217530	Pan-support
2.17	214062	Nut
2.18	094473	Fixing plate
2.23	001234.1	Screw
2.26	001167	Screw
2.27	217498	Wok grid
3.1	35N9137UC2	Control panel
3.2	103760	Control panel trim
3.8	213007	Clips
4.4	030134.1	Oven insulation
4.5	030106.1	Rear insulation
4.6	094417DX	Rear right coupler
4.7	094417SX	Rear left coupler
4.8	4119602	Rear panel
4.9	4219S01Z	Upper shelter
4.13	053101	Seal
4.18	103533.1	Shim
4.20	040061	Buffer
4.21	063075	Hinge
4.23	371V9601YS	Front panel
4.24	373V9601M	Inside panel
4.25	36C96D1S	Side panel right
4.26	36C96S1S	Side panel left
4.27	094226	Bracket
4.31	094412	Bracket
4.32	4219604Z	Rear insulation support
4.33	58BN601	Hinge protection
4.34	103505	Rotisserie motor protection
4.35	094266	Rotisserie motor support
4.36	081084/NS	Left stopper
4.37	081083/NS	Right stopper
4.38	46A9S02Z	Air conveyor
4.39	46A9S01Z	Funnel
4.40	079025	Tangential fan
4.41	053092	Funnel gasket
4.42	053097	Vibration-damper
4.50	45EN6106K	Oven side panel (Left)
4.51	45E96001K	Top oven panel
4.52	45EN6107K	Oven side panel (Right)
4.53	45H96005K	Body rear panel
4.55	45B96003K	Body front panel
4.56	45K96004Z	Lower element cover
4.57	211012	Clips

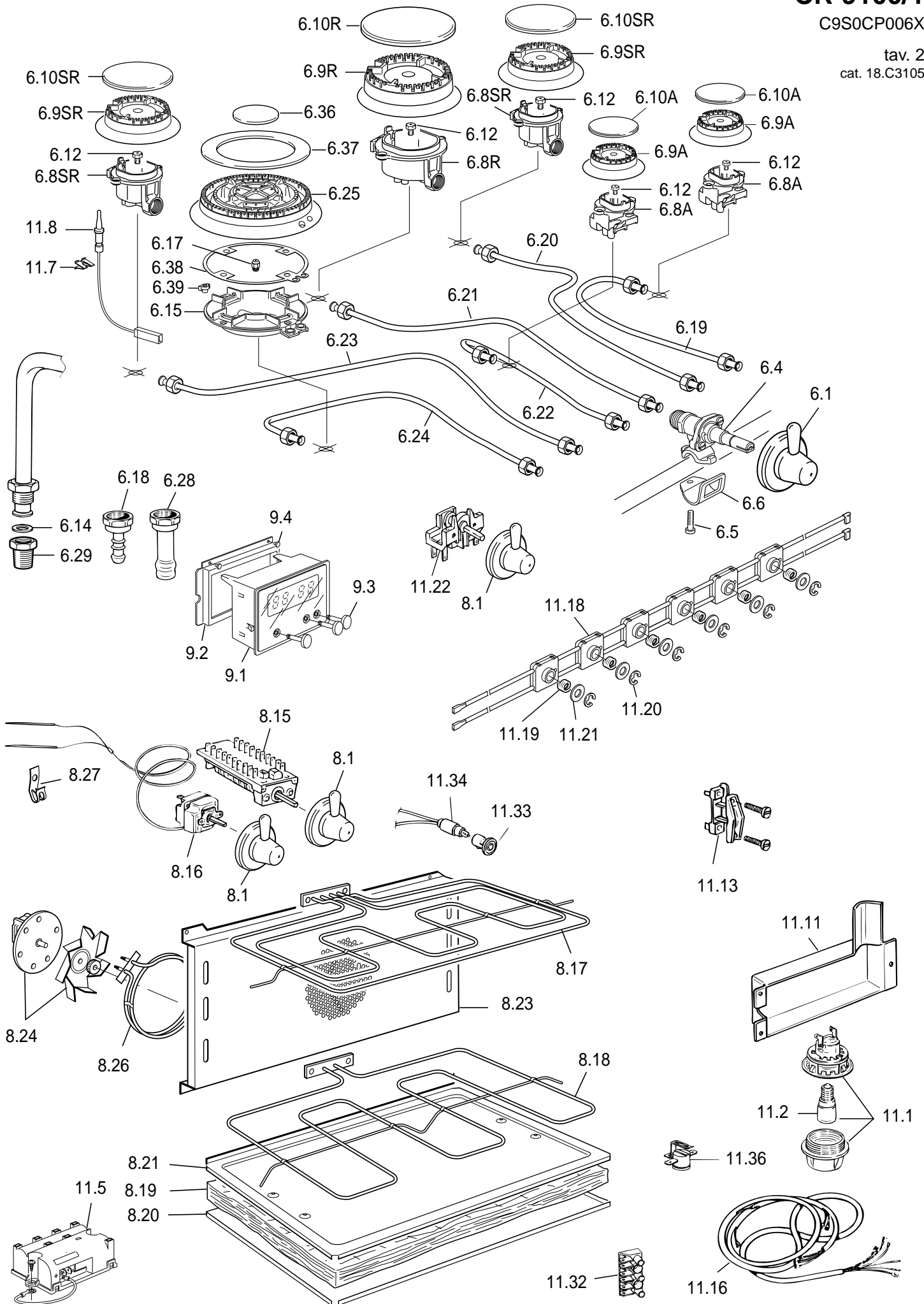
REF.	CODE	DESCRIPTION
5.1	032961902V	Door glass
5.3	037214062	Door handle
	103686.1	Washer
5.5	003057	Washer
5.6	001083	Screw
5.8	063100	Door hinge (male)
5.9	063066	Door hinge (female)
5.10	373F9604K	Door panel
5.11	053058	Gasket
5.12	0311292/TH	Inner glass
5.14	214021	Nut
5.15	001143	Screw
5.16	003035	Washer
5.17	103205	Washer
5.22	003041	Hinge washer
5.23	053083	Gasket
5.24	213029	Clip
5.26	001089	Screw
5.27	001007	Screw
7.1	217291	Shelf support
7.2	217497	Oven tray support
7.3	48B8501K	Oven tray
7.4	217496	Oven shelf
7.6	47E9604K	Oven floor
7.7	48B6101K	Oven tray
7.8	037144	Grill-pan grid handle
7.9	217397	Grill-pan grid
7.10	080027+037012	Rotisserie spear
7.11	079014	Rotisserie motor
7.12	217401.1	Rotisserie support

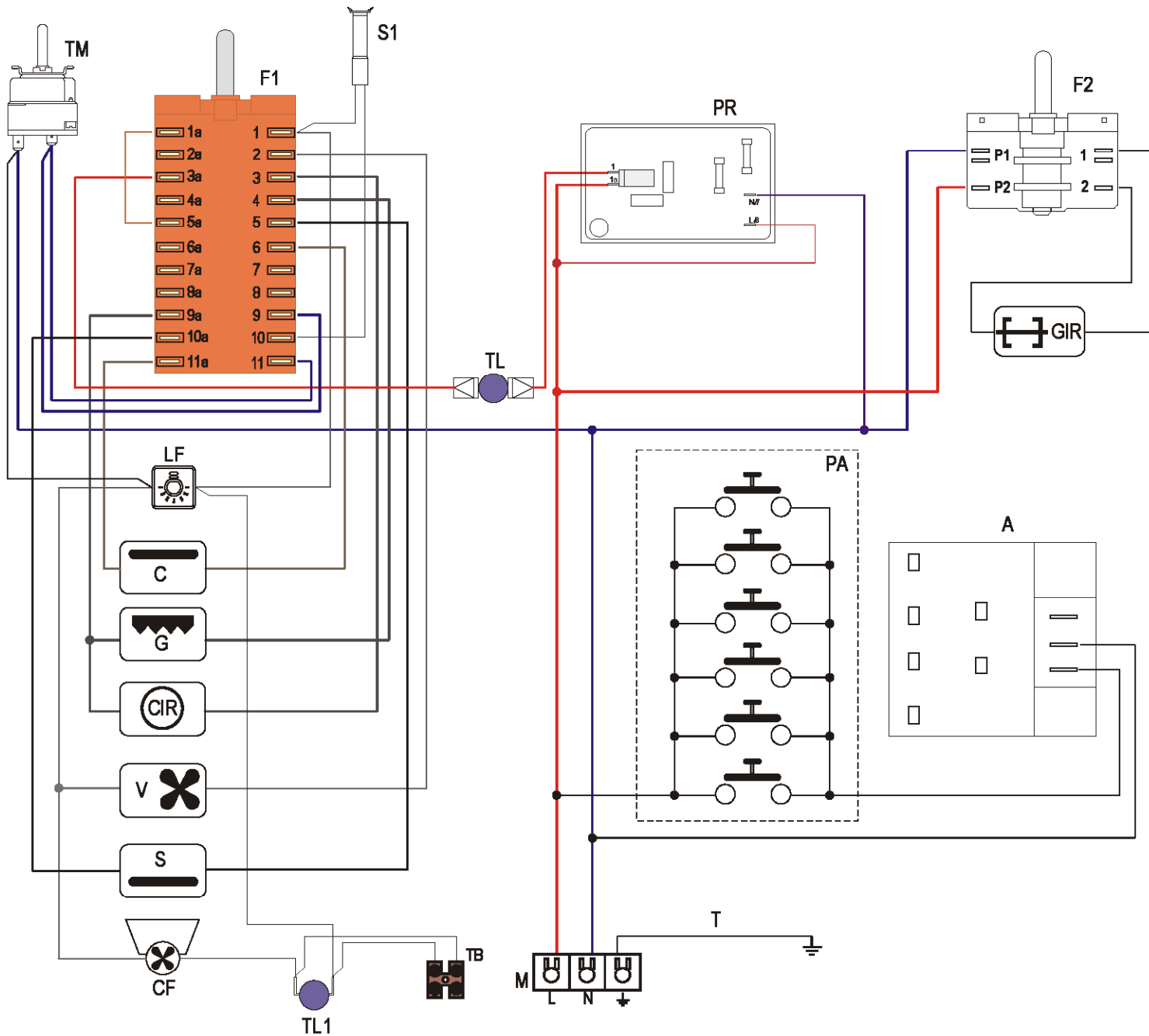
CR 9100/1

C9S0CP006X

tav. 2

cat. 18.C3105





Oven switch diagram

POSITION 0	1 2 3 4 5 6 7 8 9 10 11
FUNCTION 1 40°C Oven light	1a 2a 3a 4a 5a 6a 7a 8a 9a 10a 11a
FUNCTION 2 80°C Traditional convection cooking	
FUNCTION 3 120°C Grilling	
FUNCTION 4 160°C Defrosting frozen foods	
FUNCTION 5 200°C Hot air cooking	
FUNCTION 6 240°C Ventilated grill cooking	
FUNCTION 7 280°C Maintaining temperature after cooking or slowly heating foods	
FUNCTION 8 320°C Convection cooking with ventilation	

Rotisserie switch

POSITION	P1	P2
0	1	2
FUNCTION 1 90°C	1	2

ELECTRIC DIAGRAM KEY

- F1 Oven switch
- TM Thermostat
- LF Oven lamp
- F2 Rotisserie switch
- GIR Rotisserie
- CF Cooling fan
- PR Oven programmer
- C Top element
- G Grill element
- V Fan
- S Bottom element
- CIR Circular element
- PA Ignition switches group
- A Ignition coil
- TL Thermal overload
- TL1 Thermal overload pilot lamp
- M Terminal block
- T Earth connection
- TL1 Thermal overload
- TB Testing block

caple

CR9100

Caple 900 Range 1 Cavity