



# CR9100

Caple 900 Range 1 Cavity

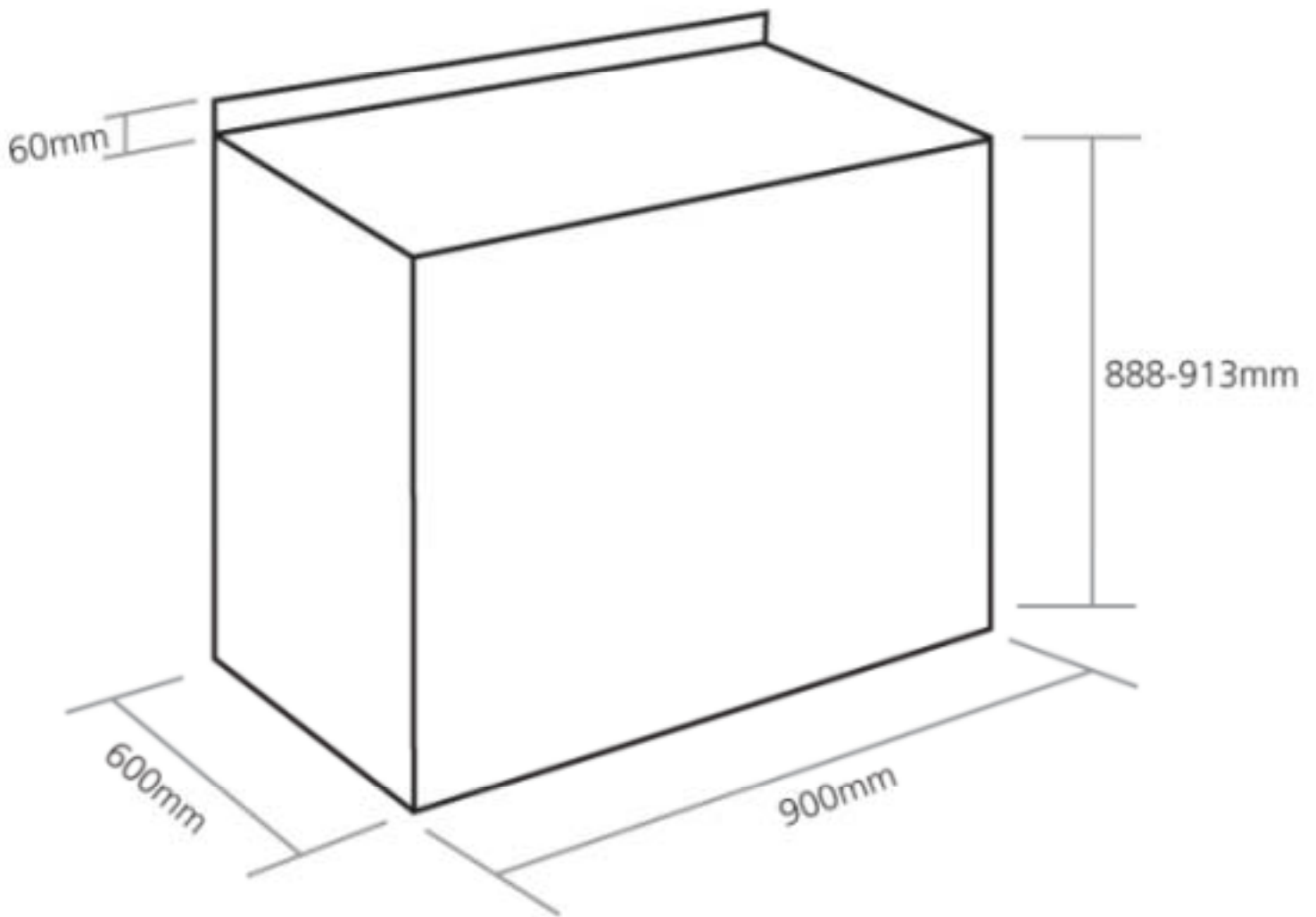


TECHNICAL INFORMATION



# CR9100

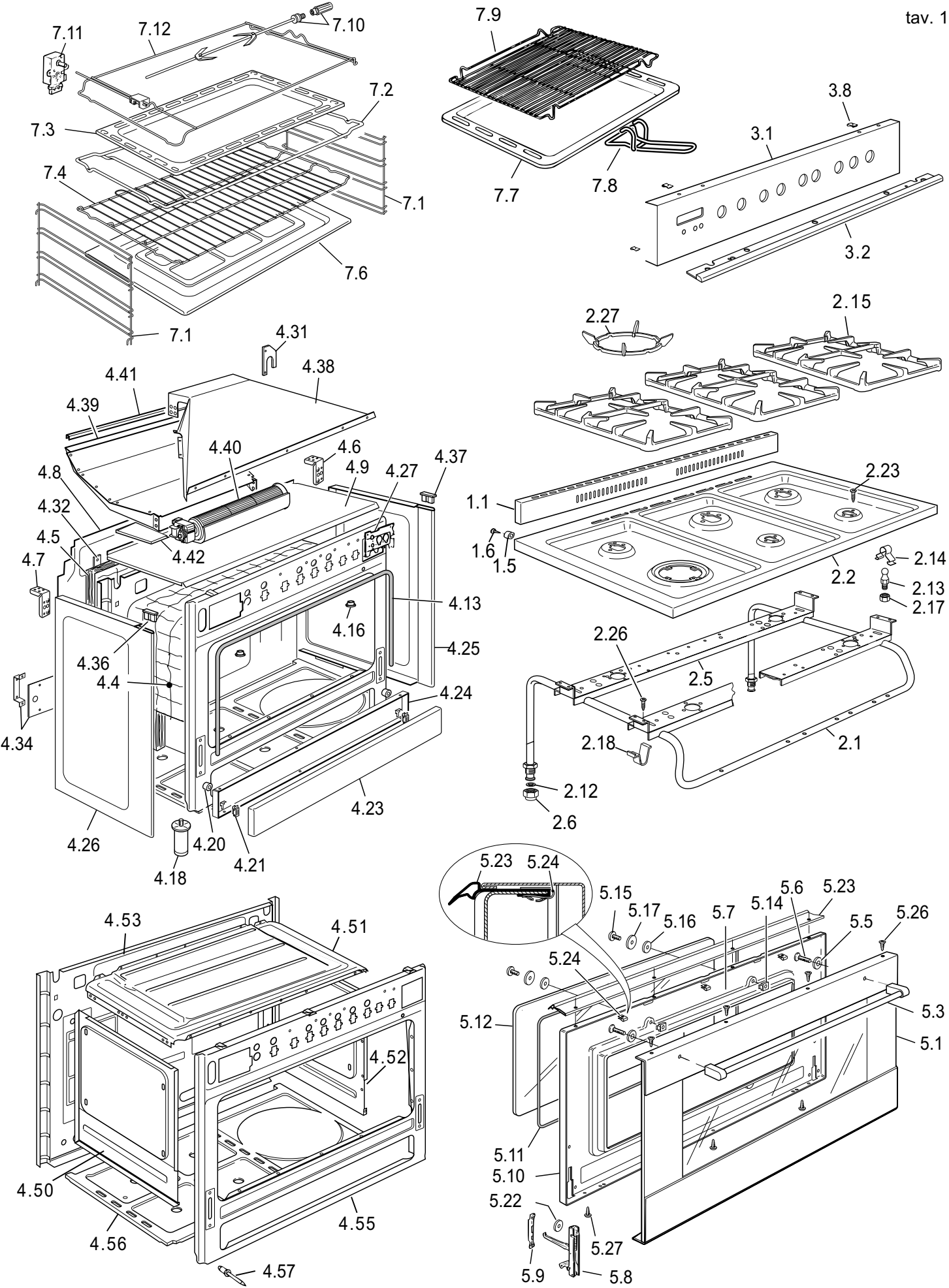
Caple 900 Range 1 Cavity



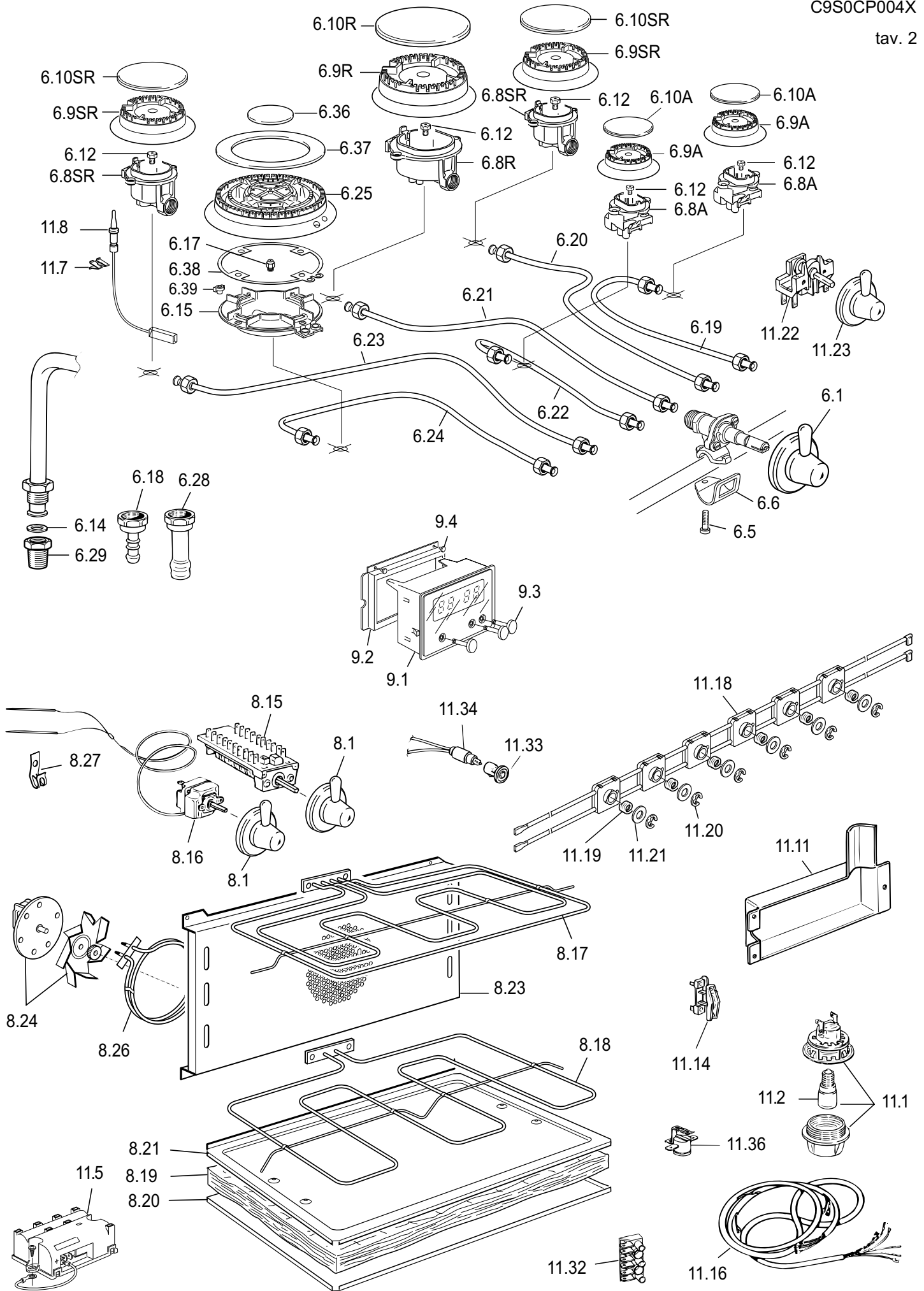
# CR 9100

C9S0CP004X

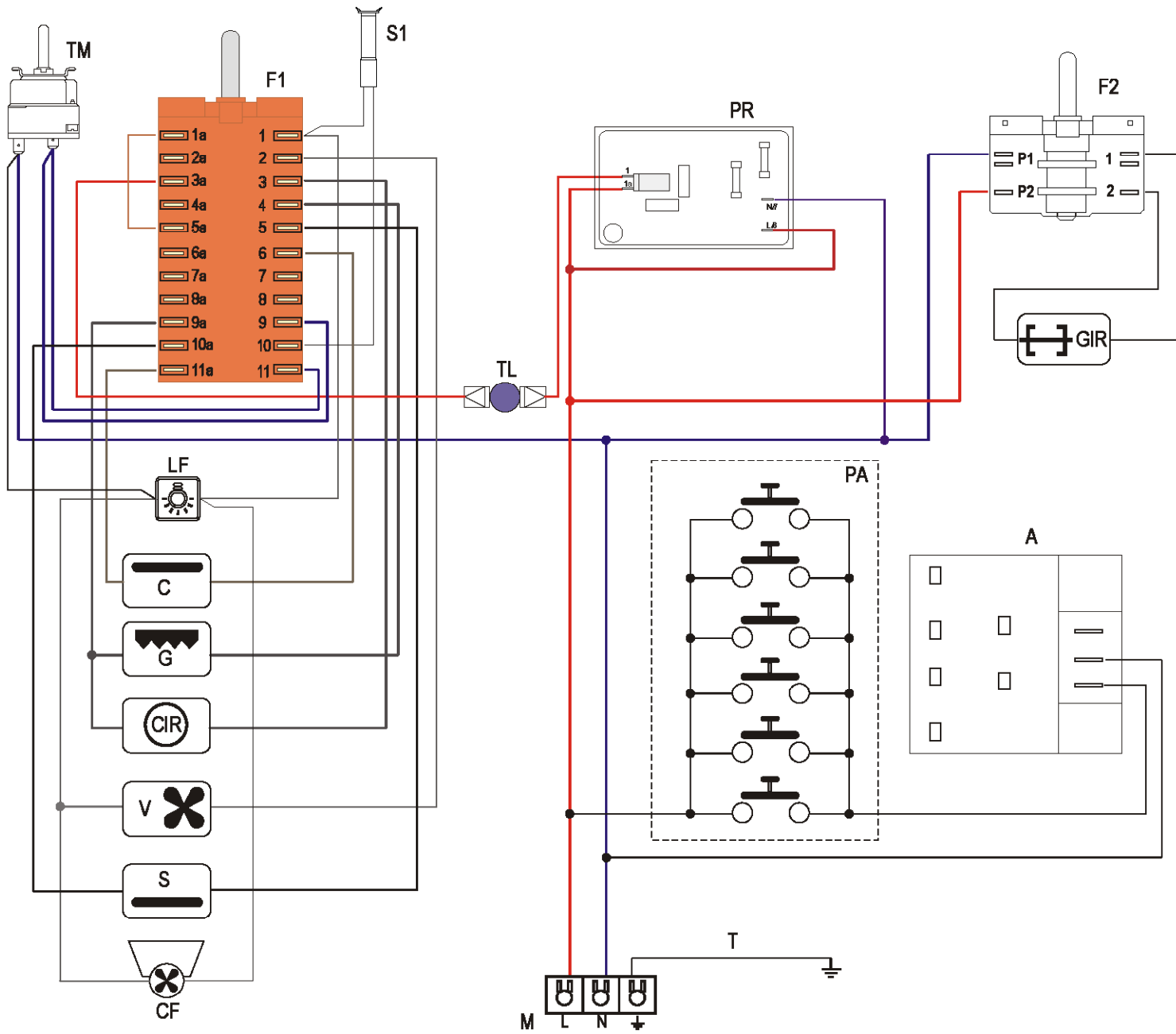
tav. 1



REF.	CODE	DESCRIPTION	REF.	CODE	DESCRIPTION
1.1	103630063	Rear trim	5.1	032961902F	Door glass
1.5	040041001	Plug	5.3	037214062	Door handle
1.6	001007	Stainless steel screw	5.5	003057	Washer
2.1	3429S60001	Manifold	5.6	001083	Screw
2.2	3319S601S	Cooktop	5.8	063100	Door hinge (male)
2.5	51B9S01	Burners support	5.9	063066	Door hinge (female)
2.6	027015	Inlet pipe plug	5.10	373F9604K	Door panel
2.12	053024.1	Gasket	5.11	053058	Gasket
2.13	103615	Pin	5.12	0311292TH	Inner glass
2.14	035100	Spring	5.14	214021	Nut
2.15	217530	Pan-support	5.15	001143	Screw
2.17	214062	Nut	5.16	003035	Washer
2.18	094473	Fixing plate	5.17	103205	Washer
2.23	001234	Screw	5.22	003041	Hinge washer
2.26	001167	Screw	5.23	053083	Gasket
2.27	217498	Wok grid	5.24	213029	Clip
3.1	35C9137SC2	Control panel	5.26	001089	Screw
3.2	103631	Control panel trim	5.27	001007	Screw
3.8	213007	Clips	7.1	217291	Shelf support
4.4	030074.1	Oven insulation	7.2	217497	Oven tray support
4.5	030106.1	Rear insulation	7.3	48B8501K	Oven tray
4.6	094417DX	Rear right coupler	7.4	217496	Oven shelf
4.7	094417SX	Rear left coupler	7.5	47E9603K	Oven floor
4.8	4119602	Rear panel	7.7	48B6101K	Oven tray
4.9	4219S01Z	Upper shelter	7.8	037144	Grill-pan grid handle
4.13	053057	Seal	7.9	217397	Grill-pan grid
4.18	103533.1	Shim	7.10	080027+037012	Rotisserie spear
4.20	040061	Buffer	7.11	079014	Rotisserie motor
4.21	063075	Hinge	7.12	217401.1	Rotisserie support
4.23	371V9601YS	Front panel			
4.24	373V9601M	Inside panel			
4.25	36C96D1S	Side panel right			
4.26	36C96S1S	Side panel left			
4.27	094226	Bracket			
4.31	094412	Bracket			
4.32	4219604Z	Rear insulation support			
4.34	103505A	Rotisserie motor support			
4.36	081084/NS	Left stopper			
4.37	081083/NS	Right stopper			
4.38	46A9S02Z	Air conveyor			
4.39	46A9S01Z	Funnel			
4.40	079025	Tangential fan			
4.41	053092	Funnel gasket			
4.42	053097	Vibration-damper			
4.50	45EN6106K	Oven side panel (Left)			
4.51	45E96001K	Top oven panel			
4.52	45EN6107K	Oven side panel (Right)			
4.53	45H96005K	Body rear panel			
4.55	45B96003K	Body front panel			
4.56	45K96004Z	Lower element cover			
4.57	211012	Rivet			







### Oven switch diagram

POSITION 0	1 2 3 4 5 6 7 8 9 10 11
FUNCTION 1 40° Oven light	
FUNCTION 2 80° Traditional convection cooking	
FUNCTION 3 120° Grilling	
FUNCTION 4 160° Defrosting frozen foods	
FUNCTION 5 200° Hot air cooking	
FUNCTION 6 240° Ventilated grill cooking	
FUNCTION 7 280° Maintaining temperature after cooking or slowly heating foods	
FUNCTION 8 320° Convection cooking with ventilation	

### Rotisserie switch

POSITION	P1	P2
0		
FUNCTION 1 90°		

### ELECTRIC DIAGRAM KEY

- F1 Oven switch
- TM Thermostat
- LF Oven lamp
- F2 Rotisserie switch
- CF Cooling fan
- PR Oven programmer
- C Top element
- G Grill element
- V Fan
- S Bottom element
- CIR Circular element
- PA Ignition switches group
- A Ignition coil
- TL Thermal overload
- S1 Thermostat pilot lamp
- M Terminal block
- T Earth connection



# CR9100

Cape 900 Range 1 Cavity