



# CR7200

**Caple 700 Stainless Steel 5 burner range**

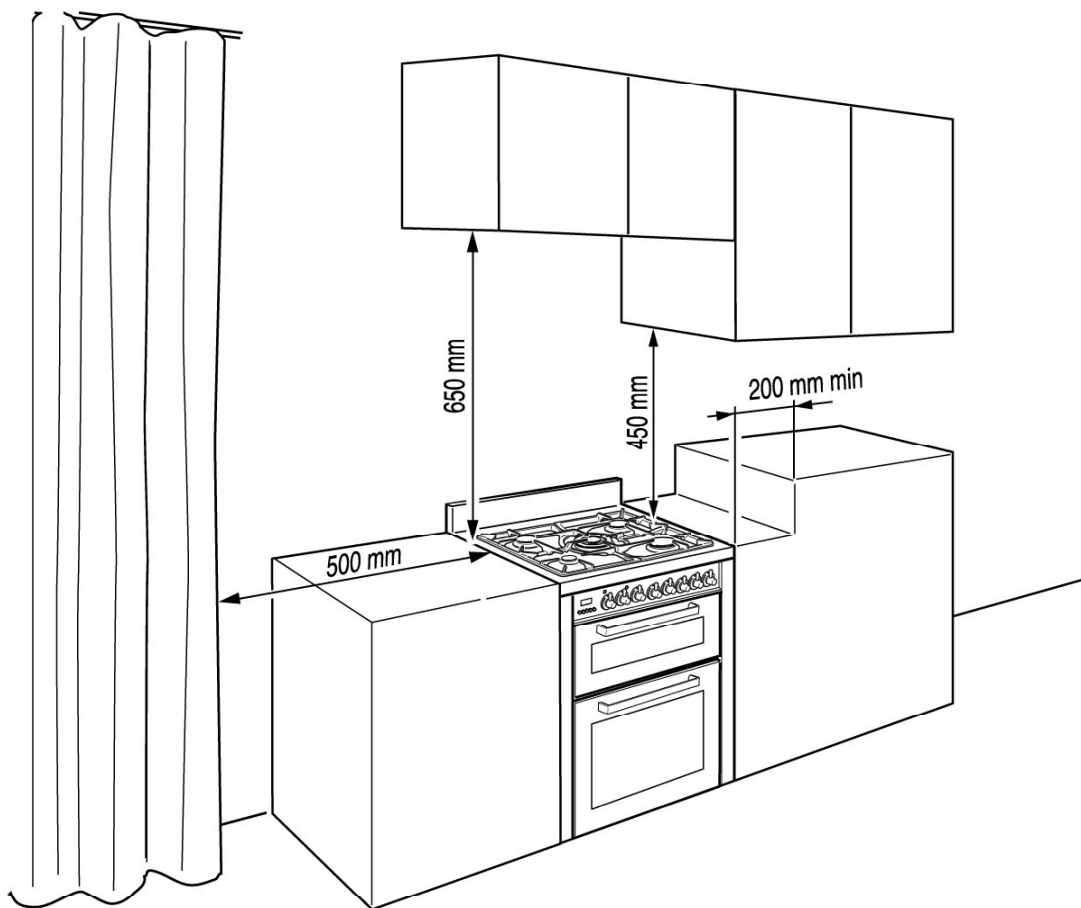


**TECHNICAL INFORMATION**



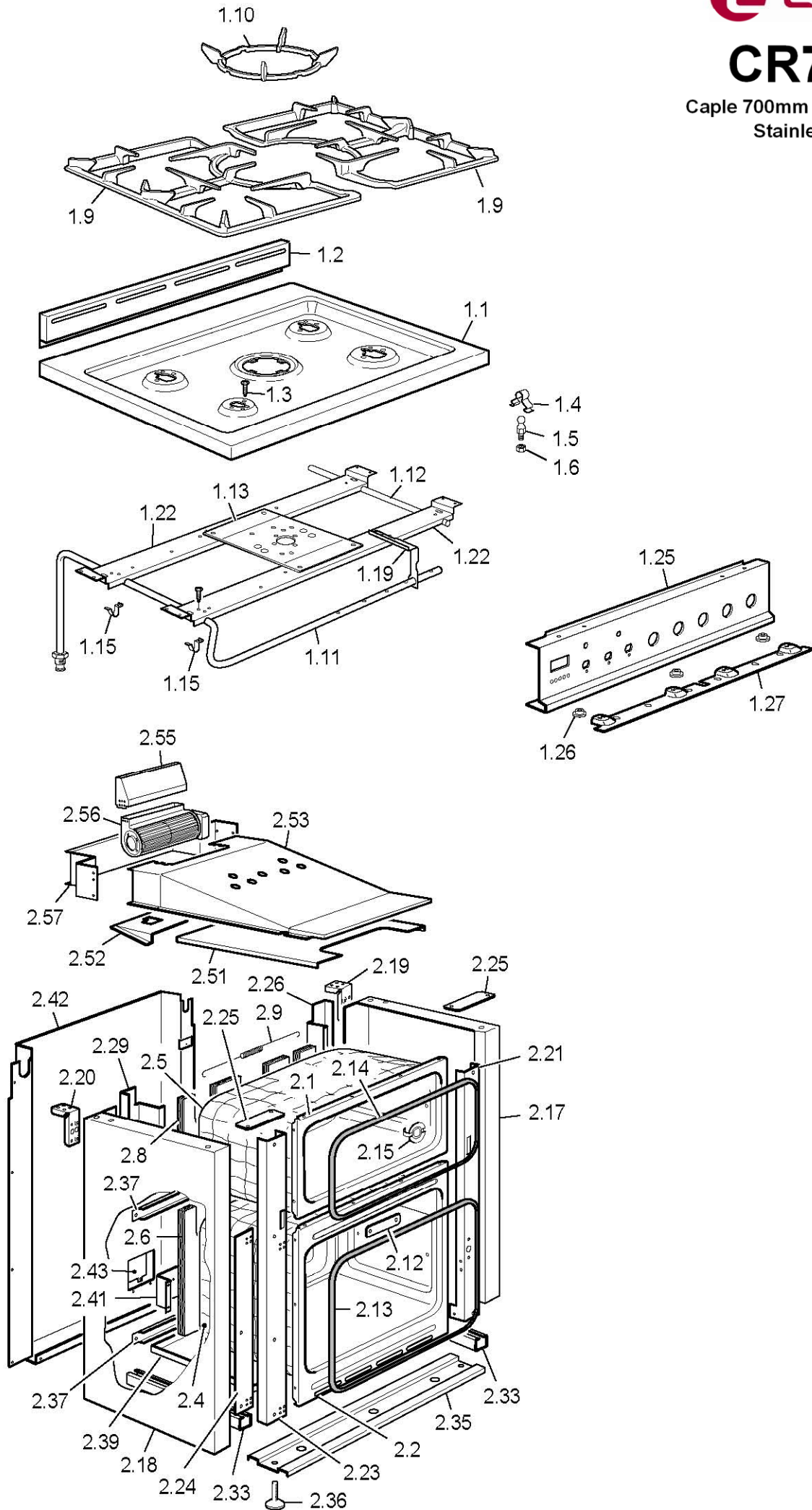
# CR7200

Caple 700 Stainless Steel 5 burner range



# CR7200

Caple 700mm 5 Burner Range  
Stainless Steel



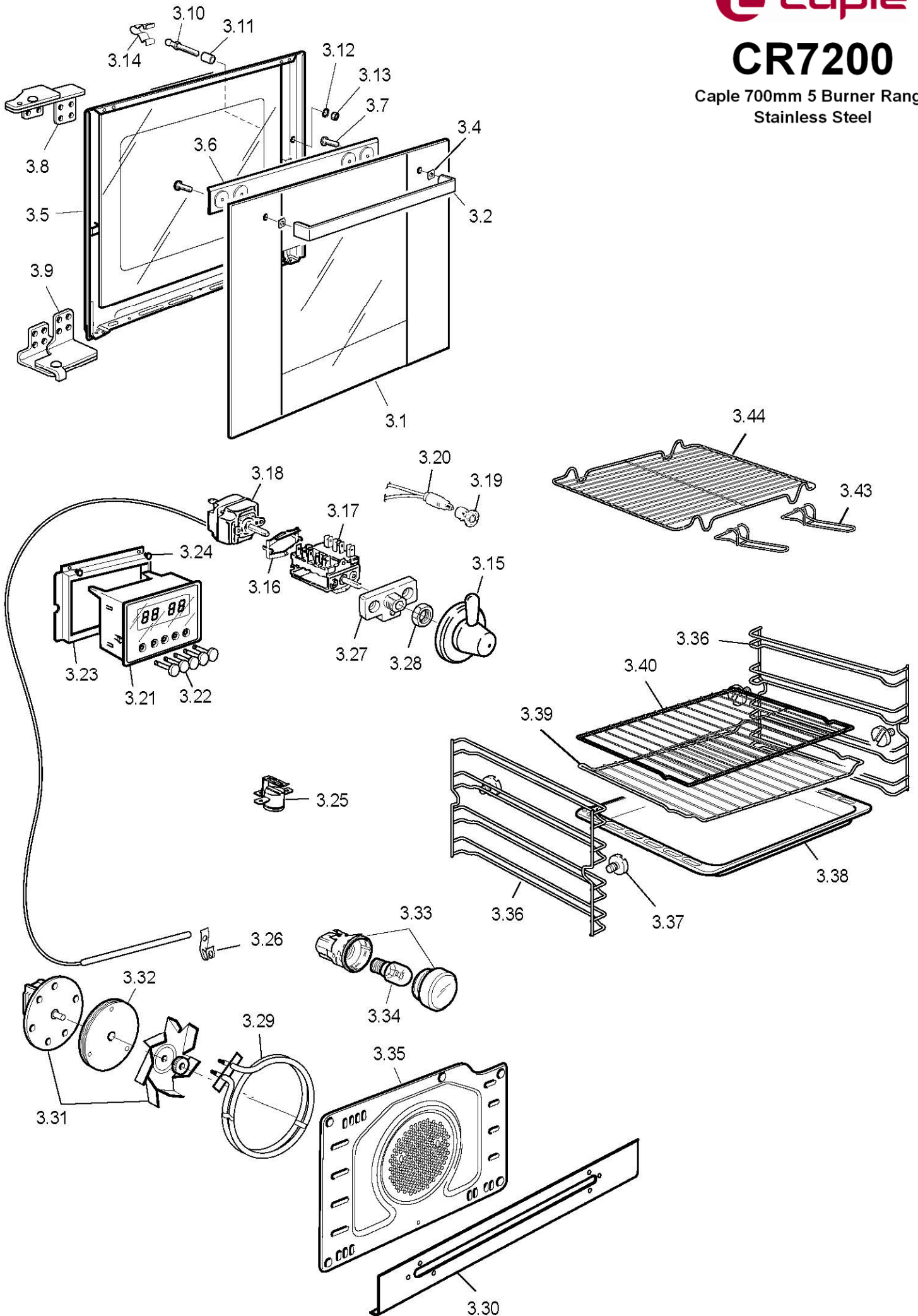
REF.	CODE	DESCRIPTION
1.1	33176502S	Cooktop
1.2	103823063	Backguard
1.3	001234.1	Screw - M3X8
1.4	035100	Spring
1.5	103615	Pin
1.6	214062	Nut
1.9	217571	Pan-support
1.10	217498	Wok grid
1.11	3427650001	Manifold
1.12	3426P40002	Anchorage pipe
1.13	51B9S05	TR burner support
1.15	094254	Clamp
1.19	094482	Manifold plate
1.20	213007	Clips
1.22	51B7602	Burners support
1.25	35C7600UCP	Control panel
1.26	085086	Sleeve
1.27	51B7D01S	Deflector

2.1	450F31ES31	Top oven body
2.2	450F61EV32	Bottom oven body
2.4	030120.1	Main oven insulation
2.5	030139.1	Top oven insulation
2.6	030122.1	Main oven rear insulation
2.8	030140.1	Top oven rear insulation
2.9	035101	Insulation spring
2.12	094364	Top element hole plug
2.13	053087	Bottom oven seal
2.14	053102	Top oven seal
2.15	035097	Rotisserie hole plug
2.17	36C7DD1S	Side panel right
2.18	36C7DS1S	Side panel left
2.19	094417DX	Rear right coupler
2.20	094417SX	Rear left coupler
2.21	51B6D006H	Front right trim
2.23	51B6D001H	Front left trim
2.24	51B6D005	Reinforcement

REF.	CODE	DESCRIPTION
2.25	094429	Side panel bracket
2.26	51B6D007	Rear right trim
2.29	51B6D003	Rear left trim
2.33	51B6601	Bottom side trim
2.35	51B6602	Base trim
2.36	103174	Shim
2.37	51B12006	Oven body bar
2.39	4216602Z	Bottom panel
2.41	094484	Terminal block support
2.42	4117D01Z	Rear panel
2.43	51BUM01	Terminal block protection
2.51	4211201Z	Upper shelter
2.52	094463	Fan support
2.53	4116D01Z	Upper air conveyor
2.55	46A6D01Z	Funnel
2.56	079030	Tangential fan
2.57	51B6D004	Fan support

# CR7200

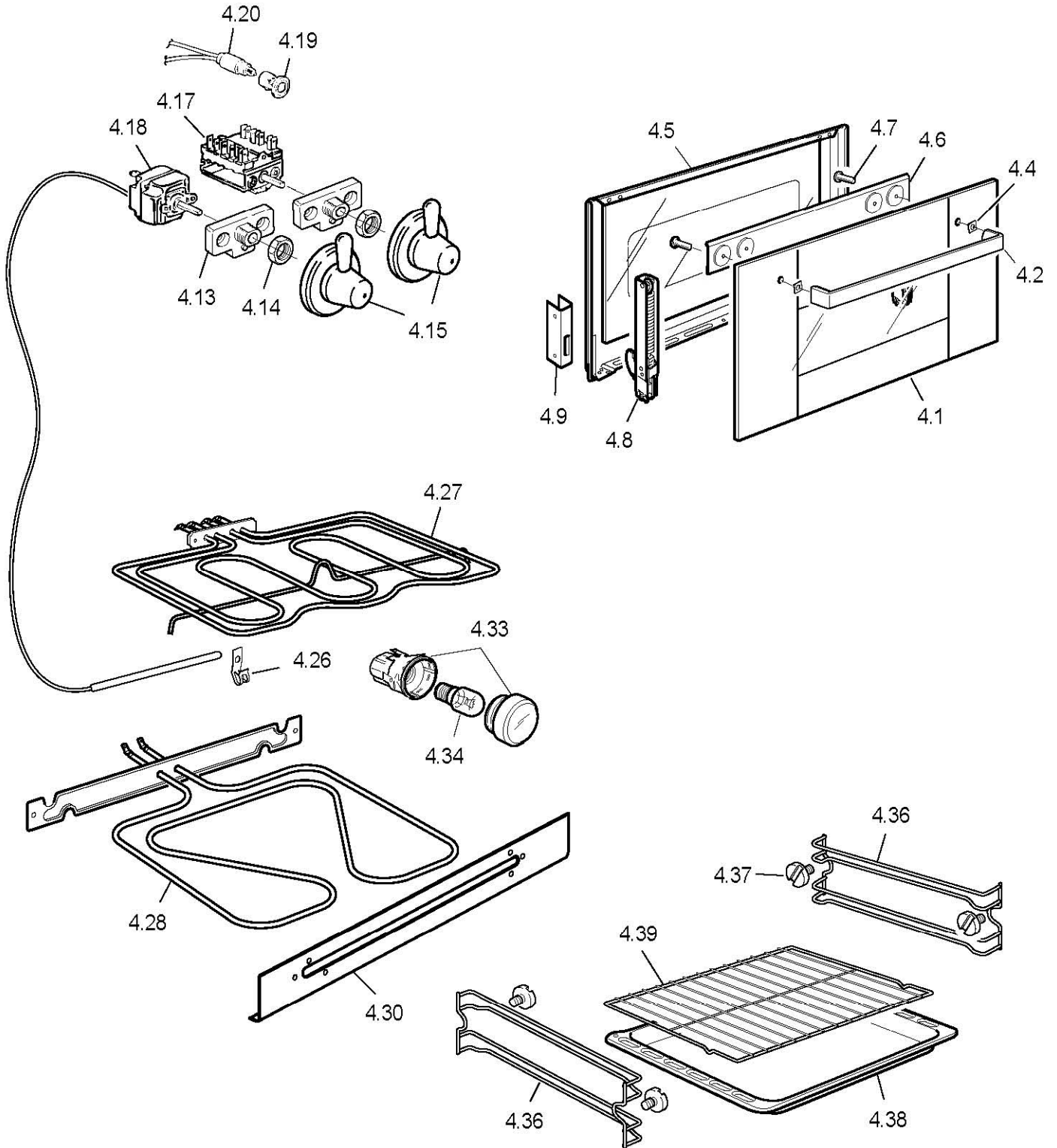
Caple 700mm 5 Burner Range  
Stainless Steel



REF.	CODE	DESCRIPTION
3.1	032F2359C2	Door glass
3.2	037227061	Door handle
3.4	103734080	Handle plaque
3.5	375FF6005	Door panel
3.6	51BF604	Handle bar
3.7	001071	Screw
3.8	094461	Support door bracket
3.9	094460	Bracket inferior
3.10	071061	Door pin
3.11	085088	Sleeve
3.12	003019	Washer
3.13	214026	Nut
3.14	103782	Door hook
3.15	2185002407	Oven knob
3.16	094069	Switch / thermostat bracket
3.17	050045	Oven switch
3.18	066141	Oven thermostat
3.19	07306202.2	Control lamp cover - Red
3.20	073039.2	Control lamp L=230
3.21	074038	Electronic programmer
3.22	103861080	Button
3.23	094483	Electronic timer seal
3.24	040056	Rubber
3.25	066068	Cut-off thermostat 130°
=	066057	Cut-off thermostat 140°
=	066080	Cut-off thermostat 55°
3.26	213025	Clip
3.27	103210.1	Oven switch support
3.28	214063	Nut
3.29	062097004	Circular element - 230 V
3.30	51BF603	Bottom element support
3.31	079008001F	Fan motor - 230 V
3.32	030136.1	Fan motor insulation
3.33	072006	Lamp holder
3.34	073013001	Lamp
3.35	47AF601P	Fan diffuser
3.36	217528	Shelf support
3.37	001142	Screw
3.38	48B6101P	Oven tray
3.39	217556	Oven shelf
3.40	217527	Oven shelf
3.43	037144	Grill-pan grid handle
3.44	217546	Grill-pan grid

# CR7200

Caple 700mm 5 Burner Range  
Stainless Steel



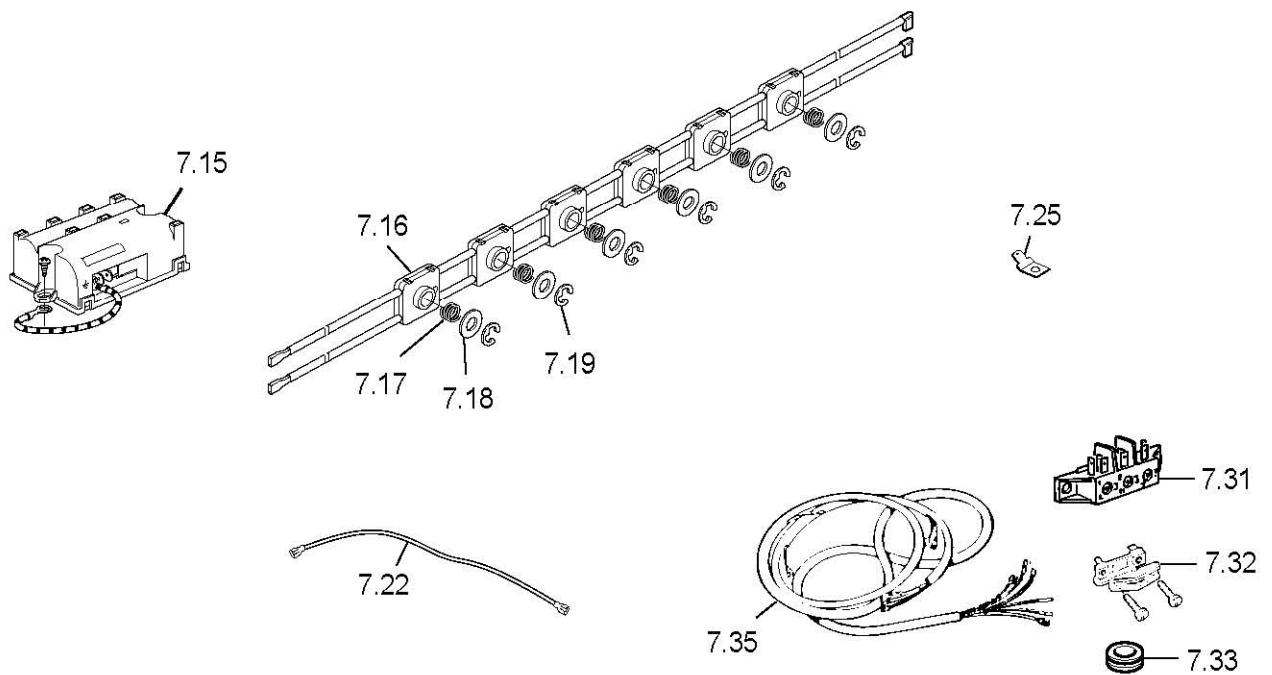
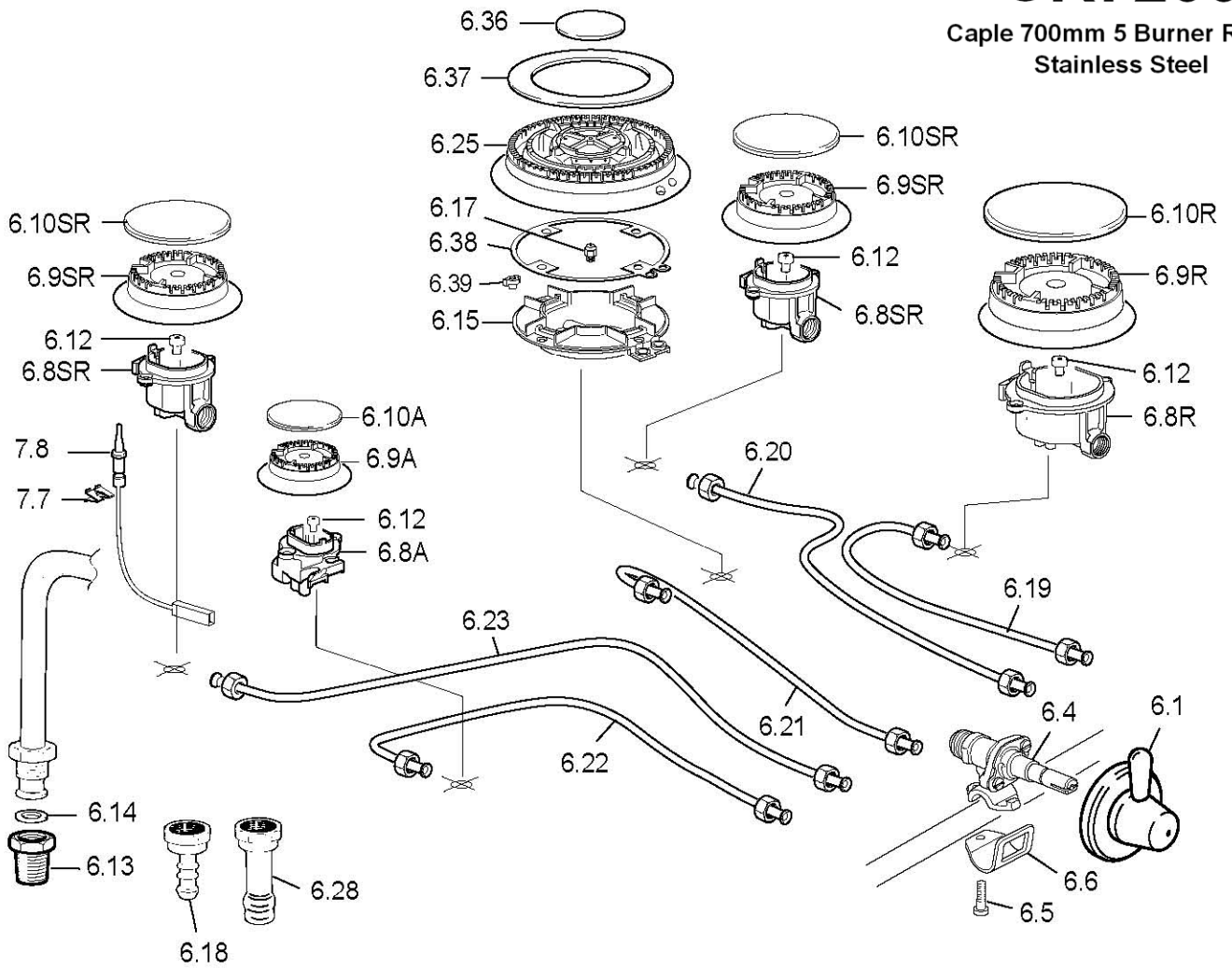
---

---

REF.	CODE	DESCRIPTION
4.1	032F32475U	Door glass
4.2	037227061	Door handle
4.4	103734080	Handle plaque
4.5	375FF3001	Door panel
4.6	51BF604	Handle bar
4.7	001071	Screw
4.8	063112	Door hinge male
4.9	094390	Door hinge (female)
4.13	103210.1	Oven switch support
4.14	214063	Nut
4.15	2185002407	Oven knob
4.17	050046	Oven switch
4.18	066078	Oven thermostat
4.19	07306202.2	Control lamp cover
4.20	073039.2	Control lamp L=230
4.26	213025	Clip
=	213031	Clip
4.27	062106004	Top + grill element - 230V
4.28	062105004	Bottom element - 230V
4.30	51BF603	Bottom element support
4.33	072006	Lamp holder
4.34	073013001	Lamp
4.36	217578	Shelf support
4.37	001142	Screw
4.38	48B6101P	Oven tray
4.39	217527	Oven shelf

# CR7200

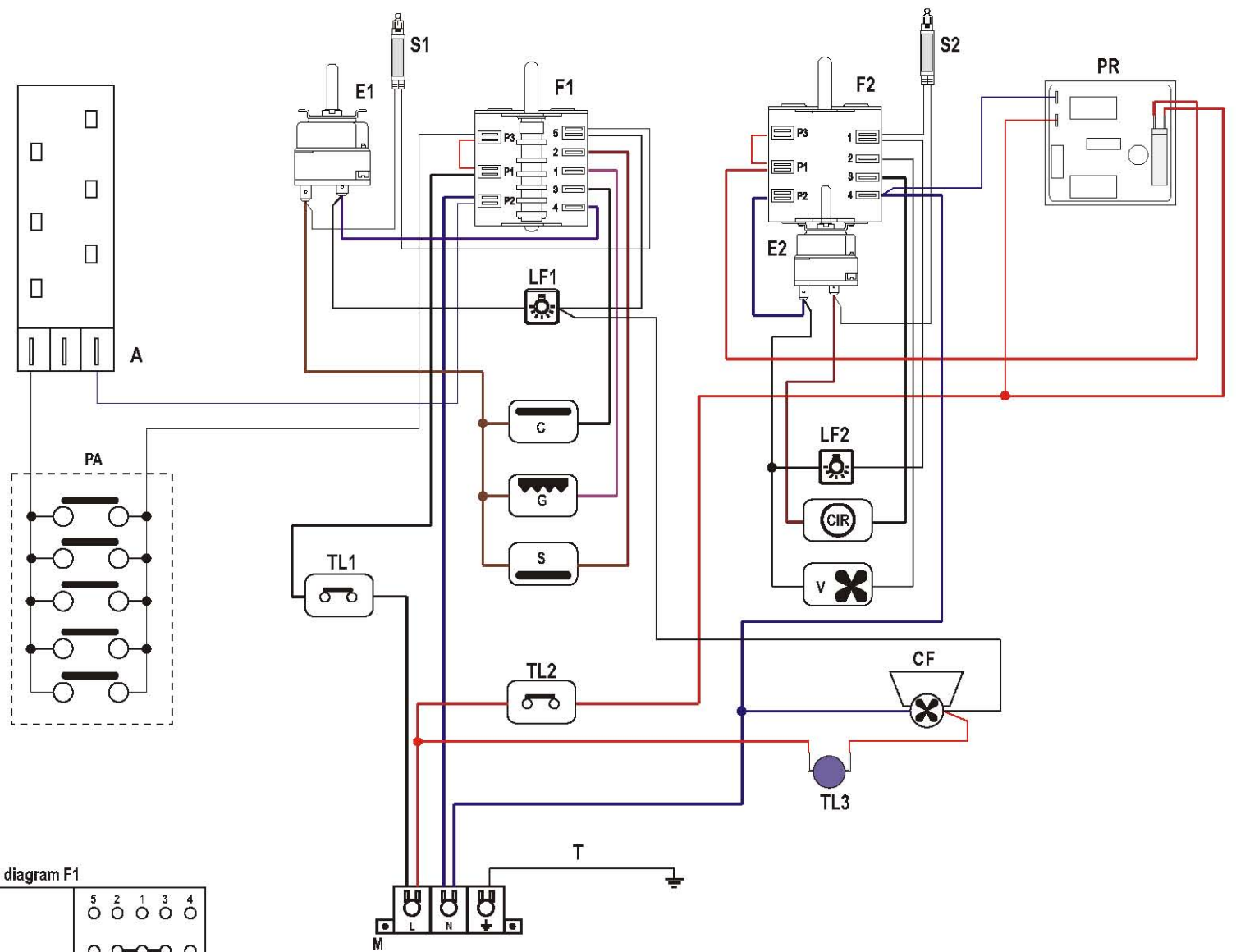
Caple 700mm 5 Burner Range  
Stainless Steel



REF.	CODE	DESCRIPTION
6.1	2185002340	Burner knob
6.4	106240	Tap - Ø 0.27 A
=	106241	Tap - Ø 0.32 SR
=	106242	Tap - Ø 0.42 R
=	106243	Tap - Ø 0.65 TR
6.5	001233	Tap fixing screw
6.6	094382	Tap bracket
6.8A	215465	A burner-cup
6.8SR	215466	SR burner-cup
6.8R	215467	R burner-cup
6.9R	068111001	R burner head
6.9SR	068110001	SR burner head
6.9A	068109001	A burner head
6.10A	216129005A	A burner-cap
6.10SR	216130005A	SR burner-cap
6.10R	216131005A	R burner-cap
6.12	101234	Injector - Ø 0.72
=	101235	Injector - Ø 0.97
=	101236	Injector - Ø 1.15
6.12	101180	Injector - Ø 0.50
=	101181	Injector - Ø 0.65
=	101182	Injector - Ø 0.85
6.13	067026	Connection
6.14	053024.1	Elbow gasket
6.15	215469	Burner-cup TR
6.17	101237	TR injector - Ø 1.35
=	101233	TR injector - Ø 0.95
6.18	027014	LPG connection
6.19	029794	TR inlet pipe - central
6.20	029793	SR inlet pipe - rear left
6.21	029792	R inlet pipe - front right
6.22	029790	A inlet pipe - front left
6.23	029791	SR inlet pipe - rear right
6.25	068112001	TR burner head
6.28	027013	Natural gas connection
6.36	216132005A	Burner-cap inside TR
6.37	216133005A	Burner-cap outside TR
6.38	053078	Burner-cup gasket
6.39	040064	Stopper

REF.	CODE	DESCRIPTION
7.7	035094	Igniter spring
7.8	084028	Igniter - L = 250 mm
=	084029	Igniter - L = 630 mm
=	084033	Igniter TR - L = 500 mm
7.15	082048.1	6 burners ignition coil
7.16	103824	Ignition switches
7.17	035080	Ignition switches spring
7.18	003038	Washer
7.19	003039	Retaining ring
7.22	103235	Wire
7.25	094221	Earth plate
7.31	051038	Terminal block - 40A - 3P
7.32	052008	Wire fastener
7.33	052007	Grommet
7.35	1131487	Wiring

- 1102674 Instruction booklet 6107650001 LPG kit



ELECTRIC DIAGRAM KEY	
<b>TOP OVEN</b>	
F1	Oven switch
E1	Oven thermostat
LF1	Oven lamp
S1	Thermostat pilot lamp
TL1	Thermal overload
C	Top element
G	Grill element
S	Bottom element
<b>BOTTOM OVEN</b>	
F2	Oven switch
E2	Oven thermostat
PR	Oven programmer
S2	Thermostat pilot lamp
LF2	Oven lamp
CIR	Circular element
V	Fan
TL2	Thermal overload
CF	Cooling fan
TL3	Thermal overload
A	Ignition coil
PA	Ignition switches group
M	Terminal block
T	Earth connection

Top oven switch diagram F1

<b>POSITION 0</b>	5 2 1 3 4 P3 P1 P2
<b>FUNCTION 1</b> Traditional convection cooking (upper & lower heating elements)	
<b>FUNCTION 2</b> Traditional convection cooking (lower heating element)	
<b>FUNCTION 3</b> Traditional convection cooking (upper heating element)	
<b>FUNCTION 3</b> Grilling	

Bottom main oven diagram F2

<b>POSITION 0</b>	1 2 3 4 P3 P1 P2
<b>FUNCTION 1</b> 30° <	
<b>FUNCTION 2</b> 60°-270° <	
Defrosting frozen foods	
Hot air cooking	

**caple**

**CR7200**

Caple 700mm 5 Burner Range  
Stainless Steel