



CR1204

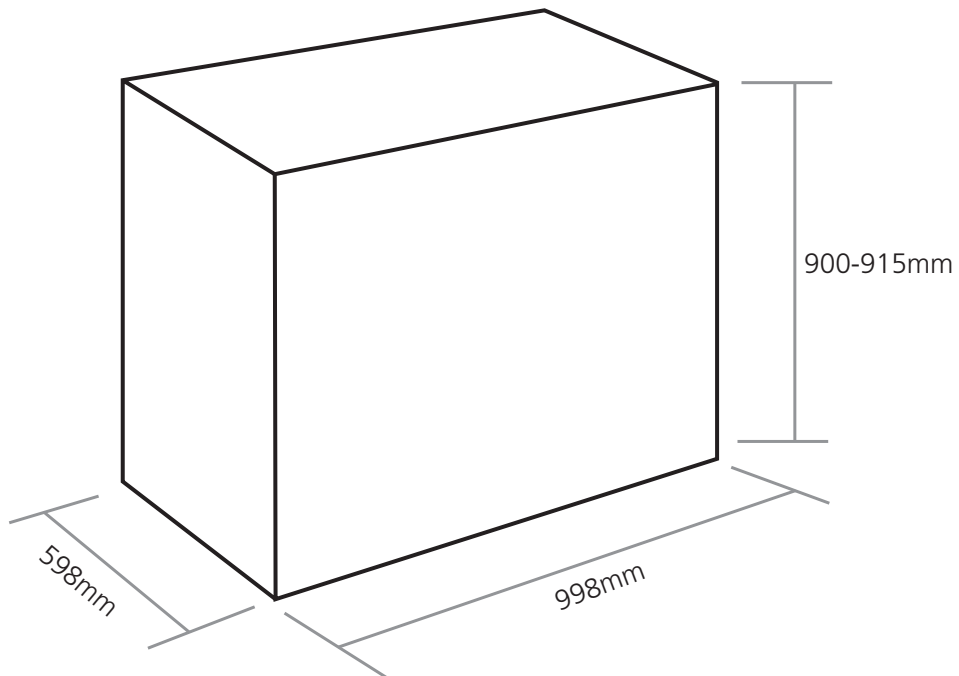
Caple Sense 1000mm Range

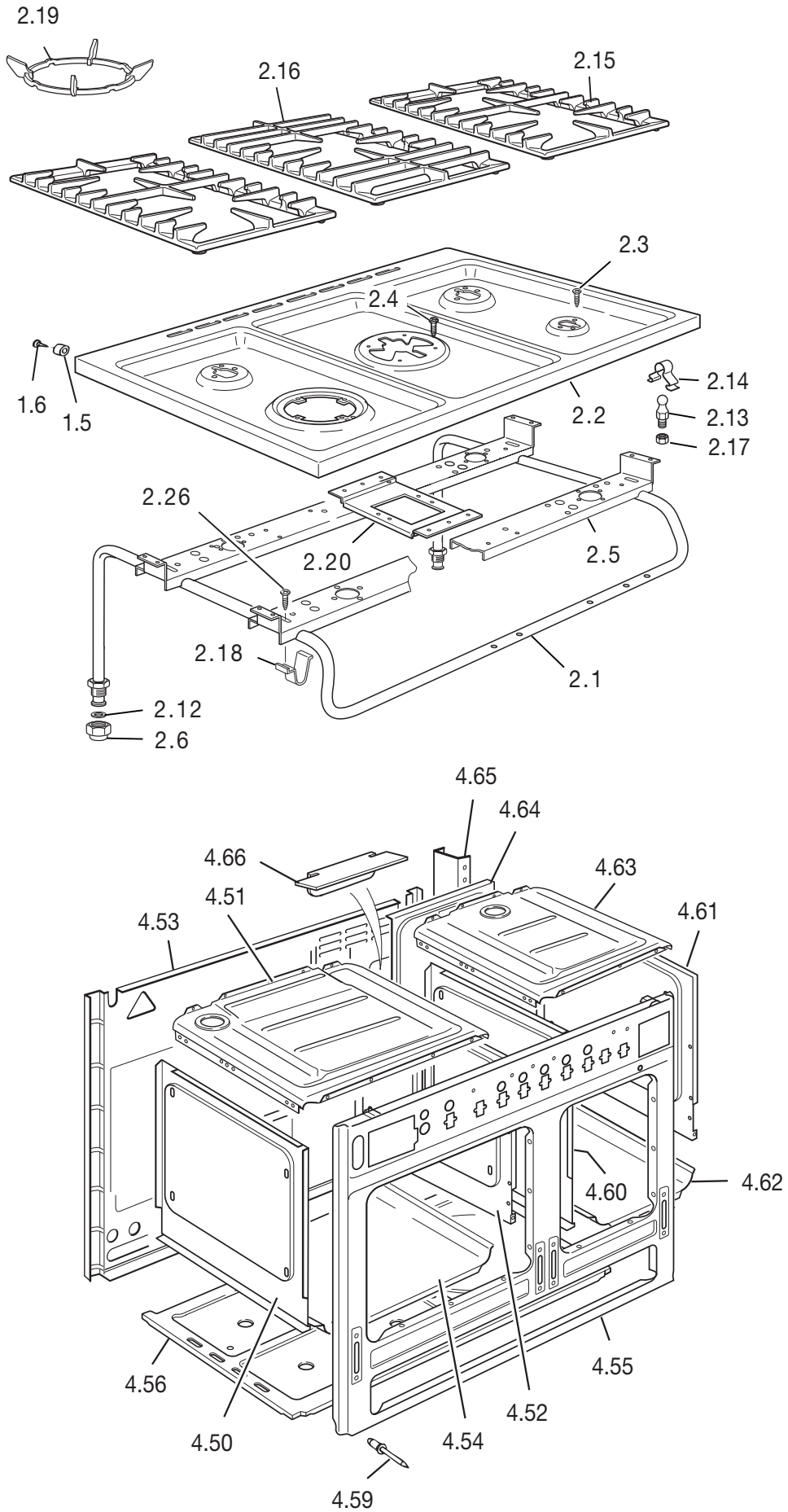


TECHNICAL INFORMATION

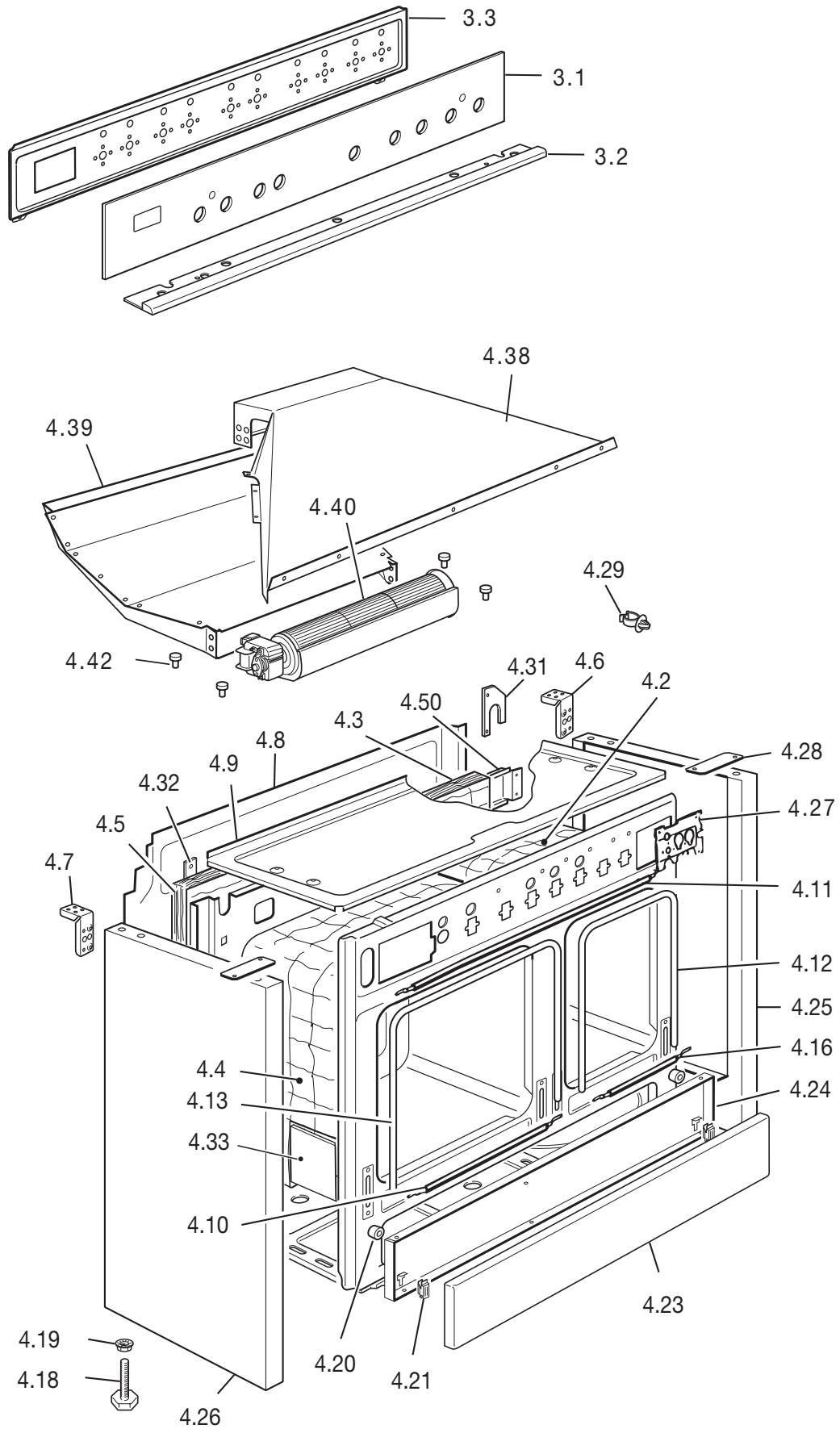
Product installation diagrams

Models:
CR1204

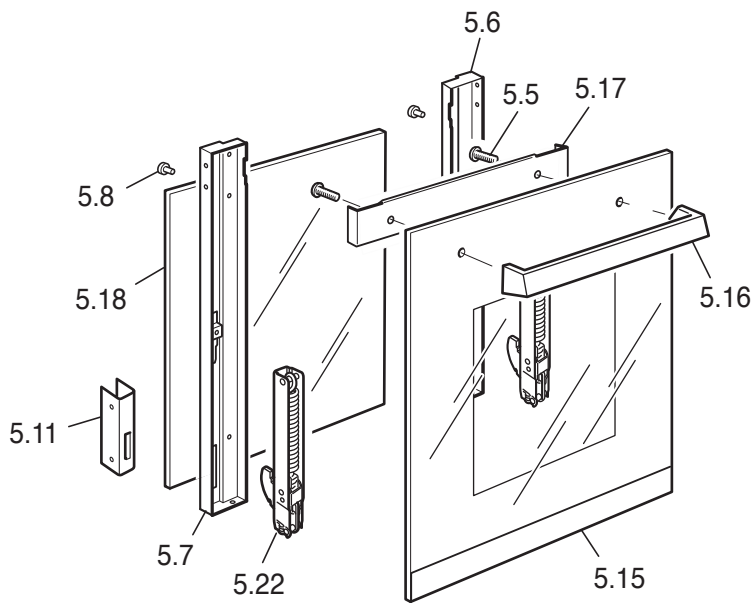
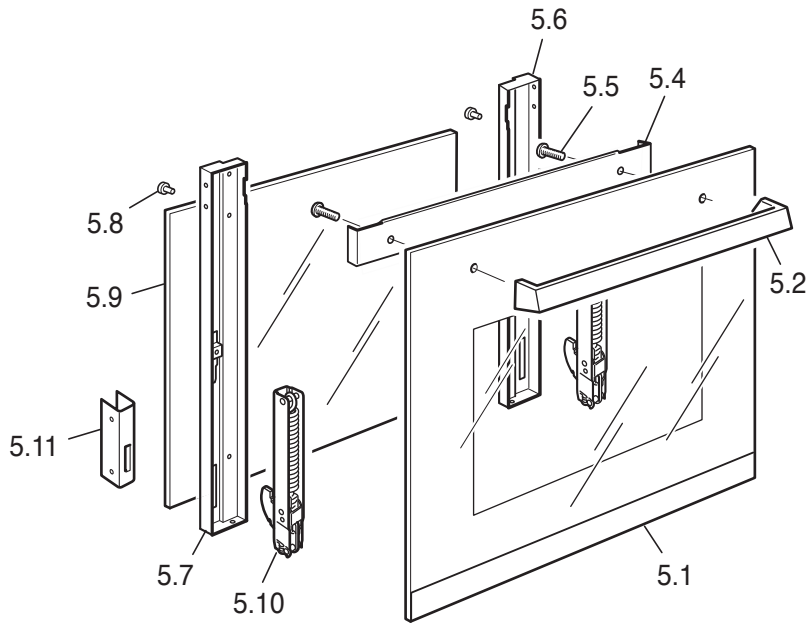




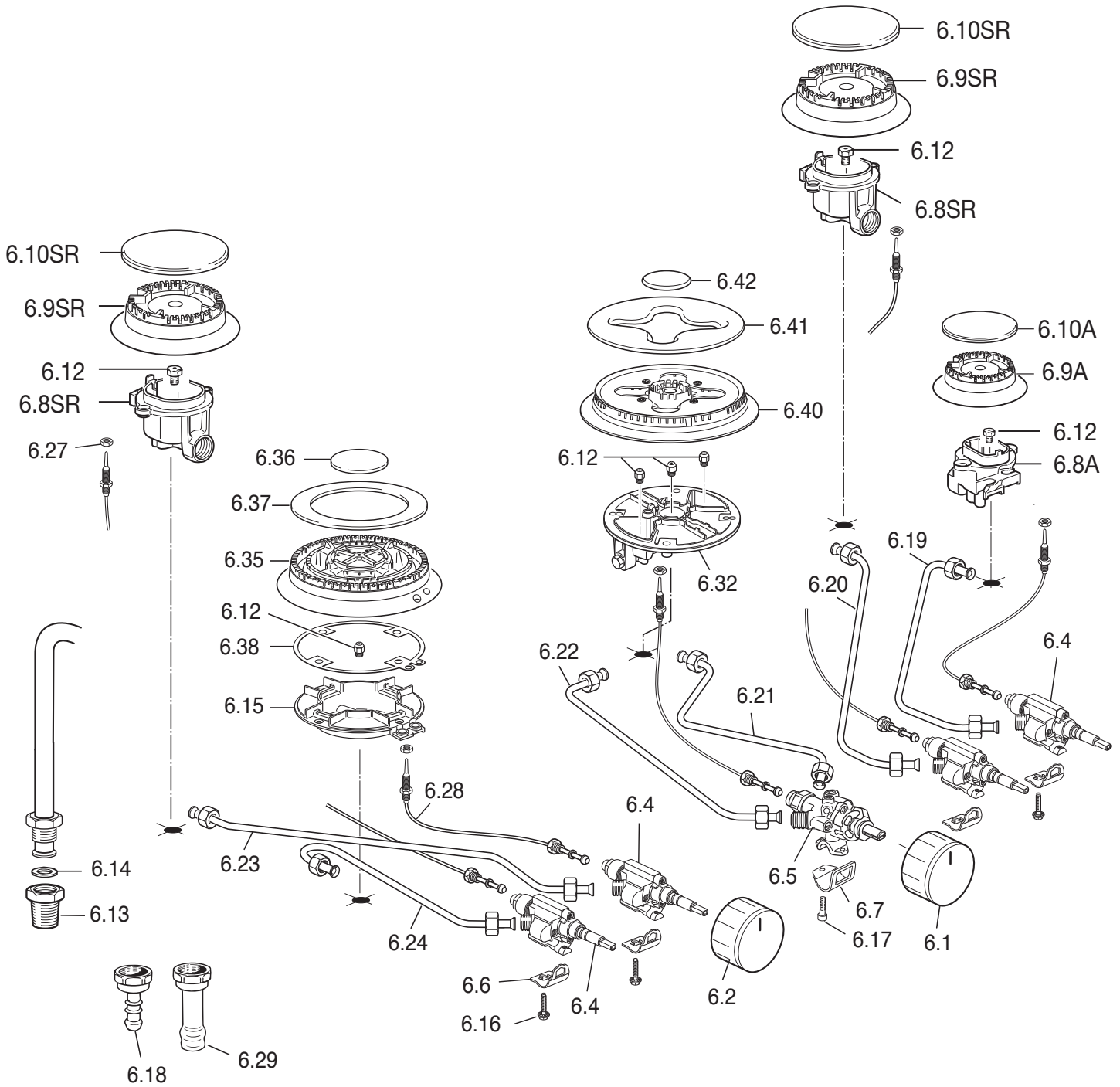
Ref.	Part description	Product code	
		C1T0CP006X	
		Feature	Part code
1.5	Plug		040041001
1.6	Stainless steel screw		001007
2.1	Manifold		3421050001
2.2	Cooktop		33110507S
2.3	Screw		001234.1
2.4	Screw		001252
2.5	Burners support		51B1002
2.6	Inlet pipe plug		027015
2.12	Gasket		053024.1
2.13	Pin		103615
2.14	Spring		035100
2.15	Pan-support		217630
2.16	Central pan-support		217635
2.17	Nut		214062
2.18	Fixing plate		094473
2.19	Wok grid		217498
2.20	DUAL burner support		094548
2.26	Screw		001167
4.50	Oven side panel (Left)		45EN6106K
4.51	Top oven panel		45EN6101K
4.52	Oven side panel (Right)		45EN6107K
4.53	Body rear panel		45H9S001K
4.54	Oven floor		47E6102K
4.55	Body front panel		45B36T01K
4.56	Lower element cover		45K96004Z
4.59	Rivet		211012
4.60	Oven side panel (Left)		45E65104K
4.61	Oven side panel (Right)		45E65105K
4.62	Oven floor		47E9S001K
4.63	Top oven panel		45E9T001K
4.64	Body rear panel		45H9T001K
4.65	Right oven shelter		4219S02Z
4.66	Right oven lower rear panel		4219S03Z



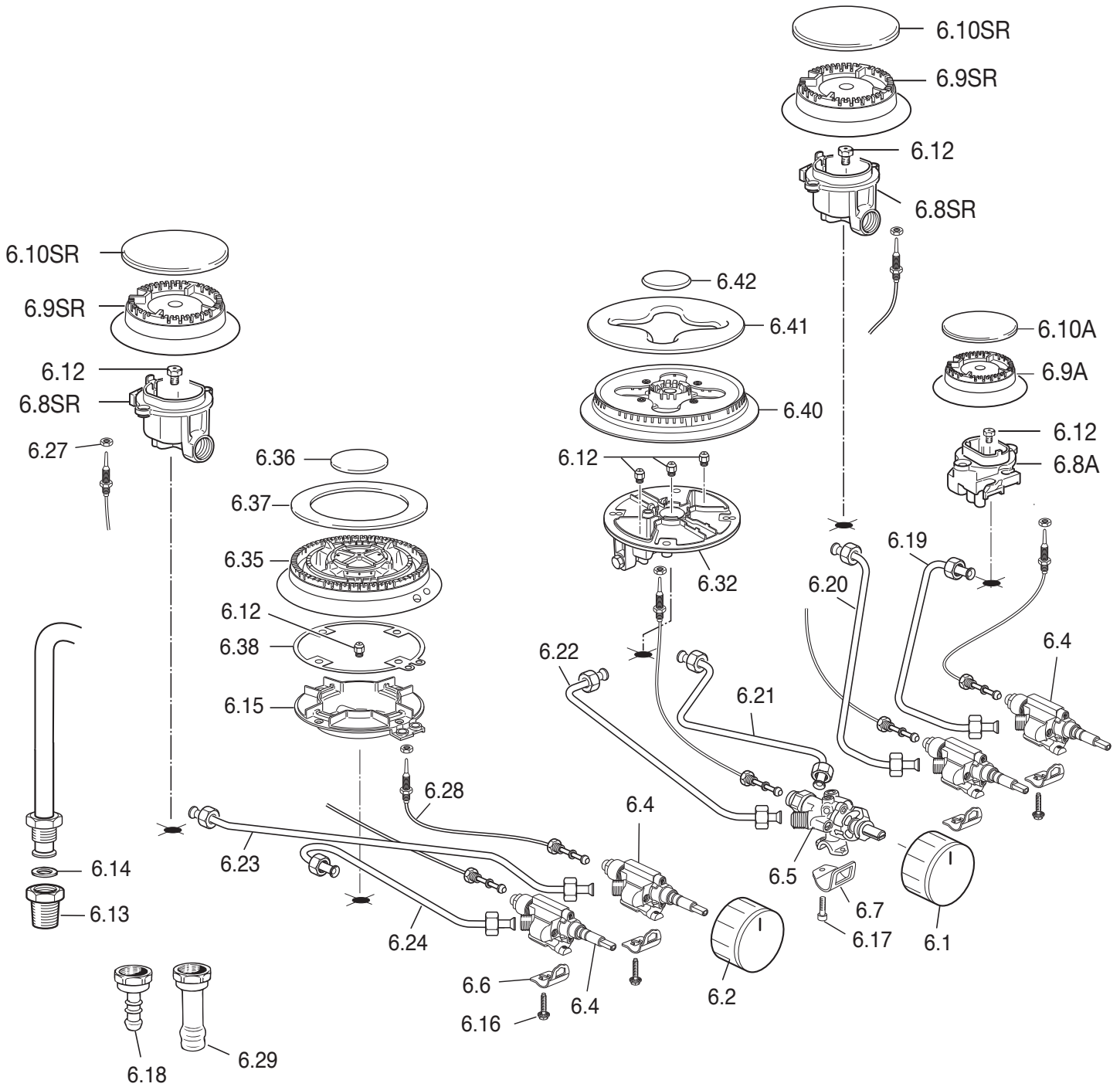
Ref.	Part description	Product code	
		C1T0CP006X	
		Feature	Part code
3.1	Control panel		0321T005
3.2	Control panel trim		1031188
3.3	Interior control panel		35M1T001H
4.2	Oven insulation		030172.1
4.3	Rear insulation		030207
4.4	Oven insulation		030206
4.5	Rear insulation		030185
4.6	Rear right coupler		094417DX
4.7	Rear left coupler		094417SX
4.8	Rear panel		4119S01
4.9	Upper shelter		4219S01Z
4.10	Top/bottom seal		053074
4.11	Top seal		053095
4.12	Seal		053093
4.13	Seal		053039
4.16	Bottom seal		053094
4.18	Shim		103410080
4.19	Nut shim		214056
4.20	Buffer front left/front right		040061
4.21	Door panel hinge		063075
4.23	Front panel		371V969LCP
4.24	Inside panel		373V9601M
4.25	Side panel right		3611TD1S
4.26	Side panel left		3611TS1S
4.27	Bracket		094136
4.28	Side panel bracket		094646
4.29	Tube retainer		531533
4.31	Bracket		094419
4.32	Rear insulation support		4219604Z
4.33	Hinge protection		58BN601
4.38	Air conveyor		46A9S02Z
4.39	Funnel		46A9S01Z
4.40	Tangential fan		079025
4.42	Vibration-damper buffer		040056
4.50	Rear insulation support		51B9S03



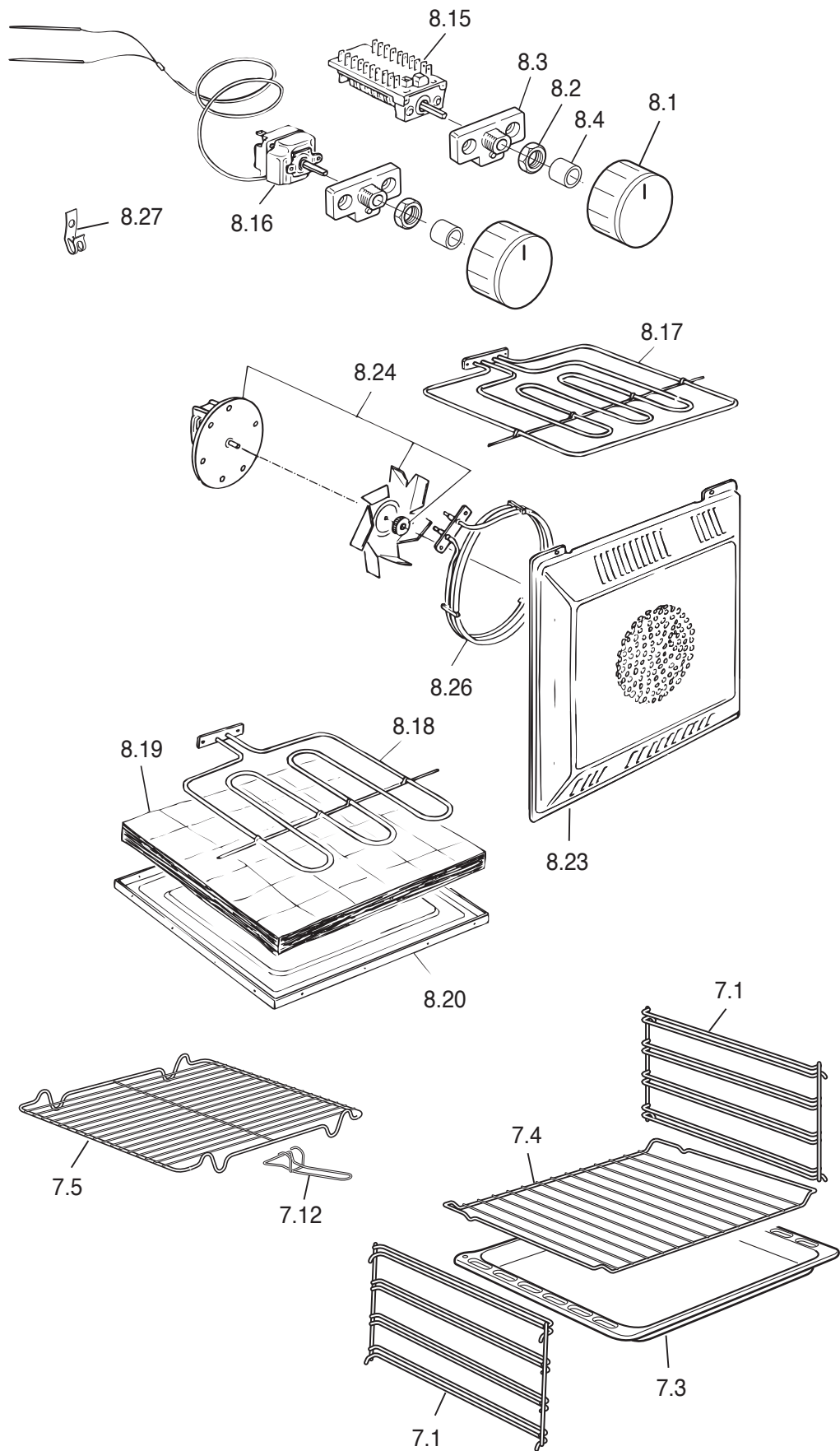
Ref.	Part description	Product code	
		C1T0CP006X	
		Feature	Part code
5.1	Door glass		0321T004
5.2	Door handle		037299061
5.4	Fixing bar		51B9103H
5.5	Door handle screw		001265
5.6	Right door trim		51A9T01DH
5.7	Left door trim		51A9T01SH
5.8	Rubber		040051
5.9	Inner glass		0312726TH
5.10	Right door hinge (male)		063123
5.11	Door hinge (female)		063109
5.15	Door glass		0329S2728B
5.16	Door handle		037300061
5.17	Fixing bar		51B9S07H
5.18	Inner glass		0312727TH
5.22	Left door hinge (male)		063124



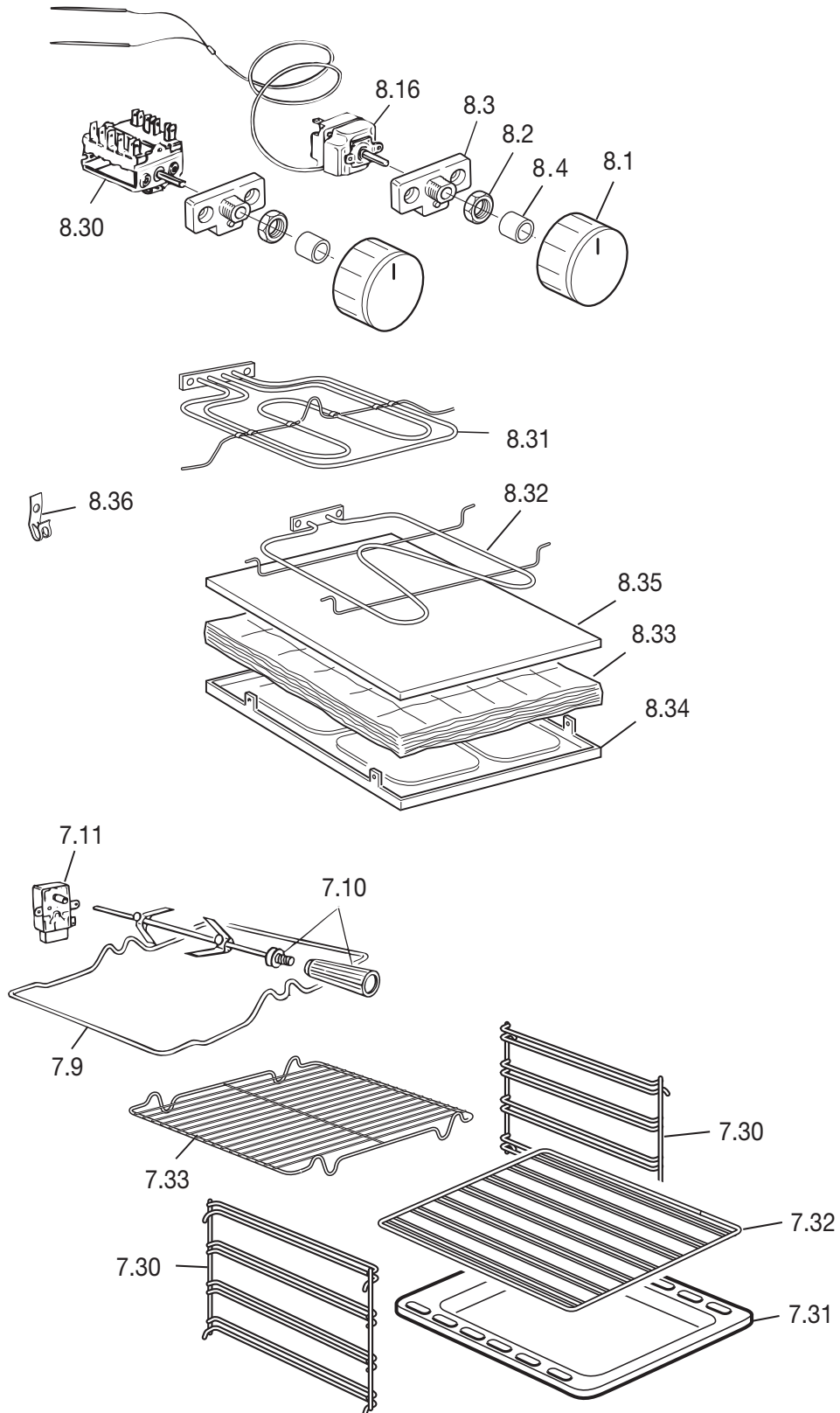
Ref.	Part description	Product code	
		C1T0CP006X	
		Feature	Part code
6.1	Burner knob		2183009462
6.4	Tap	Ø 0.28 A	106270
		Ø 0.33 SR	106271
		Ø 0.63 TR	106273
6.5	Tap	DUAL 27/60	106247
6.6	Tap bracket		094654
6.7	Tap bracket	DUAL	094523
6.16	Tap fixing screw		001282
6.17	Tap fixing screw	DUAL	001251
6.8A	Burner-cup	A	215465
6.8SR	Burner-cup	SR	215466
6.8R	Burner-cup	R	215467
6.9A	Burner head	A	068109003
6.9SR	Burner head	SR	068110003
6.10A	Burner-cap	A	216129005A
6.10SR	Burner-cap	SR	216130005A
6.12	Injector	Ø 0.72 (X)	101234
		Ø 1.02 (Z)	101323
		Ø 0.69 (F1)	101330
		Ø 0.97 (Z)	101235
		Ø 0.50 - G30	101180
		Ø 0.65 - G30	101181
		Ø 0.66 - G30	101321
6.13	Connection		067026
6.14	Elbow gasket		053024.1
6.15	Burner-cup	TR	215469
6.17	Injector	Ø 1.35 (T)	101237
		Ø 0.95	101233
6.18	LPG connection		027014
6.19	Inlet pipe - front right	A	029647
6.20	Inlet pipe - rear right	SR	029973
6.21	Inlet pipe - inside	DUAL	029972
6.22	Inlet pipe - outside	DUAL	029971
6.23	Inlet pipe - rear left	SR	029643
6.24	Inlet pipe - front left	TR	029642



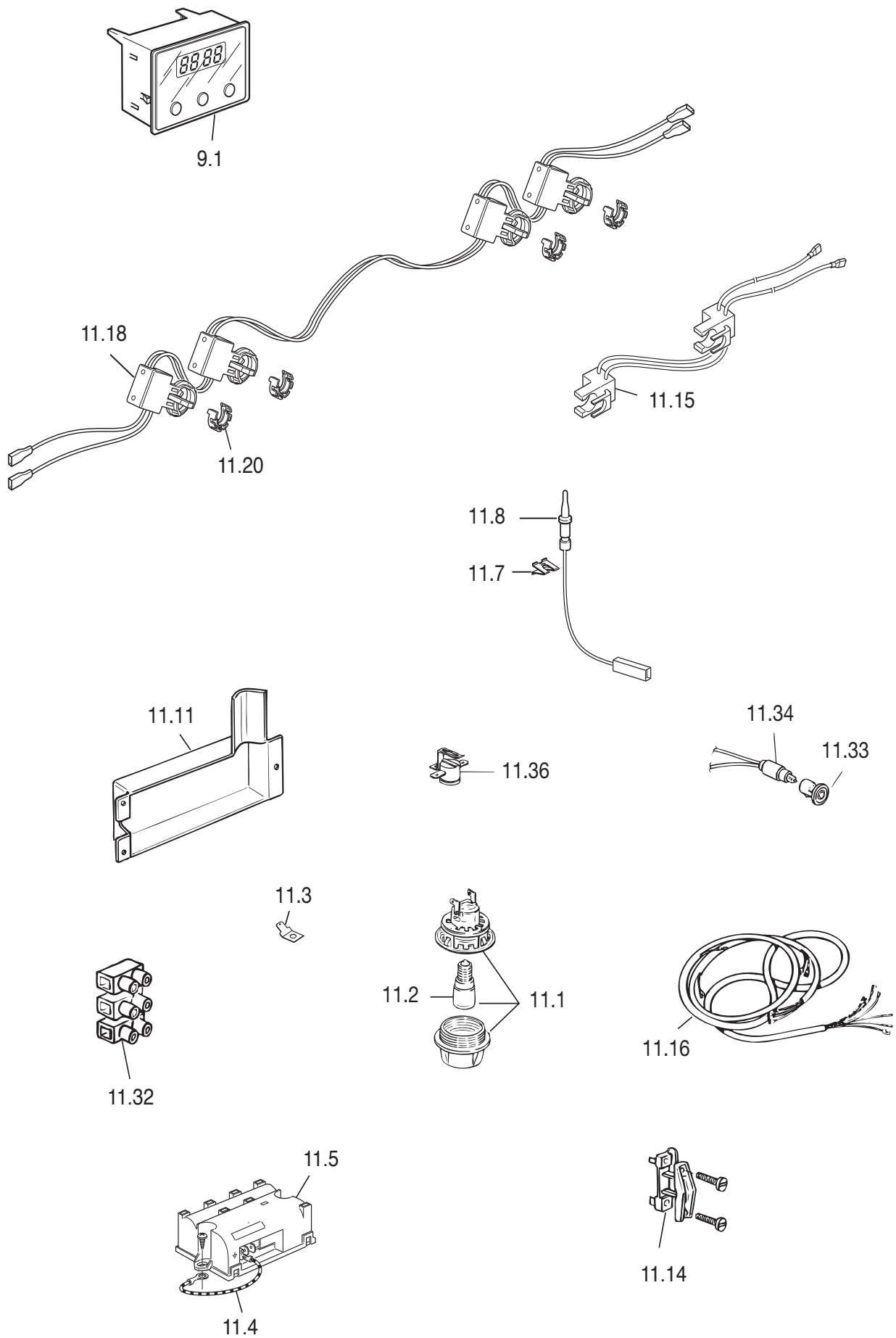
Ref.	Part description	Product code	
		C1T0CP006X	
		Feature	Part code
6.27	Thermocouple nut		214057
		DUAL	214067
6.28	Burner thermocouple	L=250 mm	107038
		L=500 mm	107039
		DUAL - L=450 mm	107057
		TR L=500 mm	107043
6.29	Natural gas connection		027013
6.32	Burner-cup	DUAL	215476
6.35	Burner head	TR	068112003
6.36	Burner-cap inside	TR	216132005A
6.37	Burner-cap outside	TR	216133005A
6.38	Burner-cup gasket		053078
6.40	Burner head	DUAL	068118003
6.41	Burner-cap outside	DUAL	216135005A
6.42	Burner-cap inside	DUAL	216136005A



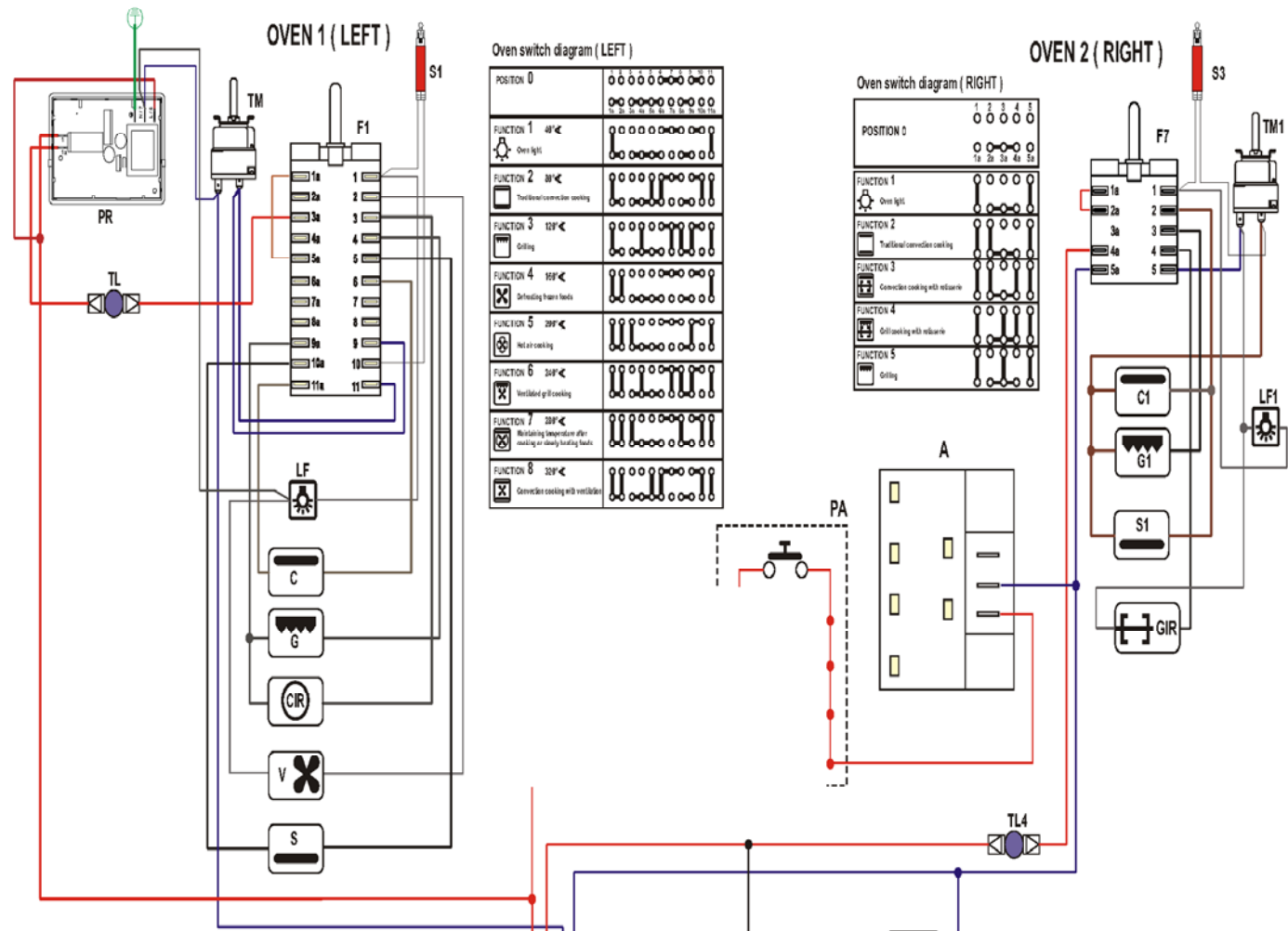
Ref.	Part description	Product code	
		C1T0CP006X	
		Feature	Part code
8.1	Oven knob		2183009482
8.2	Switch nut		214063
8.3	Switch plate support		103210.1
8.4	Knob sleeve		085081
8.15	Oven switch		050028.1
8.16	Oven thermostat		066072
8.17	Top + grill element	230V	062103004
8.18	Bottom element	230V	062107004
8.19	Bottom element insulation		030083.1
8.20	Bottom insulation support		4216102Z
8.23	Fan diffuser		47AN604K
8.24	Fan motor		079008001F
8.26	Fan element	230 V	062097004
8.27	Clips		213025
7.1	Shelf support		217291
7.3	Oven tray		48B6101K
7.4	Oven shelf		217220
7.5	Grill-pan grid		217397
7.12	Grill-pan grid handle		037144



Ref.	Part description	Product code	
		C1T0CP006X	
		Feature	Part code
8.1	Oven knob		2183009482
8.3	Oven knob sleeve		085081
8.16	Oven thermostat		066072
8.30	Oven switch		050030
8.31	Top + grill element		062102004
8.32	Bottom element	230V	062096004
8.33	Bottom element insulation	230V	030129.1
8.34	Bottom element support		4219S04Z
8.35	Bottom element protection		4219S05Z
8.36	Clip		213025
7.9	Rotisserie support		217539
7.10	Rotisserie spear		080025+037012
7.11	Rotisserie motor		079014
7.30	Shelf support		217307
7.31	Oven tray		48B9S001K
7.32	Oven shelf		217542
7.33	Grill-pan grid		217537



Ref.	Part description	Product code	
		C1T0CP006X	
		Feature	Part code
9.1	Electronic timer		074105
11.1	Lamp holder		072003
11.2	Lamp - 15 W		073013001
11.3	Earth plate		094221
11.5	6 burners ignition coil		082048.1
11.7	Igniter spring		035094
11.8	Igniter	L = 630	084029
		TR - L = 900	084035
		L = 900	084036
		DUAL - L = 450 mm	084042
11.11	Terminal block protection		103230.1A
11.14	Wire fastener		052008
11.15	Ignition switch	DUAL	103926
11.16	Wiring		1131760
11.18	Ignition switches		1031366
11.20	Retaining ring		003077
11.32	Terminal block	25A - 3P	051049
11.33	Control lamp cover - Red		073041.2
11.34	Control lamp	L = 200	073039.2
11.36	Cut-off thermostat	160°	066123
		150°	066073
		80°	066145
		55°	066080
-	LGP gas conversion kit		6109S50033
-	Instruction booklet		1103422



Oven switch diagram (LEFT)

POSITION 0	0 0 0 0 0 0 0 0 0 0
FUNCTION 1 40°C	0 0 0 0 0 0 0 0 0 0
FUNCTION 2 30°C	0 0 0 0 0 0 0 0 0 0
FUNCTION 3 120°C	0 0 0 0 0 0 0 0 0 0
FUNCTION 4 150°C	0 0 0 0 0 0 0 0 0 0
FUNCTION 5 200°C	0 0 0 0 0 0 0 0 0 0
FUNCTION 6 240°C	0 0 0 0 0 0 0 0 0 0
FUNCTION 7 280°C	0 0 0 0 0 0 0 0 0 0
FUNCTION 8 320°C	0 0 0 0 0 0 0 0 0 0
FUNCTION 9 350°C	0 0 0 0 0 0 0 0 0 0
FUNCTION 0 320°C	0 0 0 0 0 0 0 0 0 0
FUNCTION 2 320°C	0 0 0 0 0 0 0 0 0 0
FUNCTION 8 320°C	0 0 0 0 0 0 0 0 0 0

Oven switch diagram (RIGHT)

POSITION 0	1 2 3 4 5
FUNCTION 1	0 0 0 0 0
FUNCTION 2	0 0 0 0 0
FUNCTION 3	0 0 0 0 0
FUNCTION 4	0 0 0 0 0
FUNCTION 5	0 0 0 0 0

ELECTRIC DIAGRAM KEY

- A Ignition coil
 - PA Ignition switches
 - TL1/2 Cooling fan thermostats
 - CF Cooling fan
 - M Terminal block
 - T Hearth plant
 - G Grill element
 - CIR Circular element
 - V Fan
 - S Bottom element
- RIGHT OVEN**
- F7 Oven switch
 - TM1 Oven Thermostat
 - TL4 Thermal overload
 - S3 Thermostat pilot lamp
 - LF1 Oven Lamp
 - C1 Top element
 - G1 Grill element
 - S1 Bottom element
 - GIR Rotisserie
- LEFT OVEN**
- F1 Oven switch
 - TM Oven thermostat
 - PR Programmer
 - TL Thermal overload
 - LF Oven Lamp
 - S1 Thermostat pilot lamp
 - C Top element

caple
CR1204
 Caple Sense 1000mm Range