



CR1204

Caple Sense 1000mm Range



INSTRUCTION MANUAL

Thank you for buying your new **CAPLE** cooker.

To ensure that you get the best results from your new **CAPLE** cooker, we strongly suggest that you read this instruction manual thoroughly before use.

This manual contains installation advice, cleaning tips and a cooking guide, as well as other important facts about your **CAPLE** cooker.

If treated with care, your **CAPLE** appliance should give you years of trouble-free cooking.

For Product Service or Spare Parts
please check contact details at:
www.caple.co.uk

Important:

This appliance is designed and manufactured solely for the cooking of domestic (household) food and is not suitable for any non domestic application and therefore should not be used in a commercial environment.

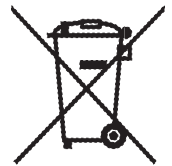
This appliance guarantee will be void if the appliance is used within a non domestic environment i.e. a semi commercial, commercial or communal environment.

Declaration of CE conformity

- ✓ This cooker has been designed, constructed and marketed in compliance with:
- Safety requirements of EU Directive "Gas" 90/396/EEC;
 - Safety requirements of EU Directive "Low Voltage" 2006/95/EC;
 - Protection requirements of EU Directive "EMC" 2004/108/EC;
 - Requirements of EU Directive 93/68/EEC.

Important information for correct disposal of the product in accordance with EC directive 2002/96/EC.

At the end of its working life, the product must not be disposed of as urban waste. It must be taken to a special local authority differentiated waste collection centre or to a dealer providing this service. Disposing of a household appliance separately avoids possible negative consequences for the environment and health deriving from inappropriate disposal and enables the constituent materials to be recovered to obtain significant savings in energy and resources. As a reminder of the need to dispose of household appliances separately, the product is marked with a crossed-out wheeled dustbin.



Important precautions and recommendations

After having unpacked the appliance, check to ensure that it is not damaged and that the oven doors close correctly. In case of doubt, do not use it and consult your supplier or a professionally qualified technician.

Packing elements (i.e. plastic bags, polystyrene foam, nails, packing straps, etc.) should not be left around within easy reach of children, as these may cause serious injuries.

- **ATTENTION: Please peel plastic cover off both sides and front of the cooker before use.**
- Do not attempt to modify the technical characteristics of the appliance as this may cause danger to users.
- Do not carry out cleaning or maintenance operations on the appliance without having previously disconnected it from the electric power supply.
- If you should decide not to use this appliance any longer (or decide to substitute an older model), before disposing of it, it is recommended that it be made inoperative in an appropriate manner in accordance to health and environmental protection regulations, ensuring in particular that all potentially hazardous parts be made harmless, especially in relation to children who could play with unused appliances.
- After use, ensure that the knobs are in off position.
- Household appliances are not intended to be played with by children.
- Keep children away from the appliance during use.
- The appliance is not intended for use by young children or infirm persons unless they have been adequately supervised by a responsible person to ensure that they can use the appliance safely.
- During and after use of the cooker, certain parts will become very hot. Do not touch hot parts.
- Some appliances are supplied with a protective film on steel and aluminium parts. This film must be removed before using the appliance.

- **WARNING**

When correctly installed, your product meets all safety requirements laid down for this type of product category. However special care should be taken around the rear or the underneath of the appliance as these areas are not designed or intended to be touched and may contain sharp or rough edges, that may cause injury.

- **Fire risk!** Do not store flammable material in the oven/s or in the storage compartment.
- Make sure that electrical cables connecting other appliances in the proximity of the cooker cannot come into contact with the hob or become entrapped in the oven door/s.
- Do not line the oven walls with aluminium foil. Do not place baking trays or the drip tray on the base of the oven chamber.
- The manufacturer declines all liability for injury to persons or damage to property caused by incorrect or improper use of the appliance.
- The various components of the appliance are recyclable. Dispose of them in accordance with the regulations in force in your country. If the appliance is to be scrapped, remove the power cord.
- Always use oven gloves when removing the shelves and food trays from the oven whilst hot.
- Do not hang towels, dishcloths or other items on the appliance or its handle/s – as this could be a fire hazard.
- Clean the oven regularly and do not allow fat or oils to build up in the oven base or tray. Remove spillages as soon as they occur.
- Do not stand on the cooker or on the open oven door/s.
- Always stand back from the appliance when opening the oven door/s to allow steam and hot air to escape before removing the food.
- This appliance is for domestic use only.
- **WARNING: Taking care NOT to lift the cooker by the door handle/s.**
- **Safe food handling:** leave food in the oven for as short a time as possible before and after cooking. This is to avoid contamination by organisms which may cause food poisoning. Take particular care during warmer weather.

1 - Electrical Requirements

WARNING!
ELECTRICITY CAN BE EXTREMELY DANGEROUS.
THIS APPLIANCE MUST BE EARTHED.

For your safety please read the following information:

This appliance must be installed by a qualified technician according with the current local regulations and in compliance with the manufacturer instructions.

The appliance must be connected to the electrical network verifying above all that the voltage corresponds to the value indicated on the specifications plate and that the cables section of the electrical plant can bear the load which is also indicated on the plate.

The cooker must be connected directly to the mains placing an omnipolar switch with minimum opening between the contacts of 3 mm between the appliance and the mains.

The power supply cable must not touch the hot parts and must be positioned so that it does not exceed 75°C at any point.

Once the cooker has been installed, the switch must always be accessible.

Before effecting any intervention on the electrical parts the appliance must be disconnected from the network.

IMPORTANT: This cooker must be connected to a suitable double pole control unit adjacent to the cooker.

NO DIVERSITY CAN BE APPLIED TO THIS CONTROL UNIT.

Electrical Installation - Wall box connection

This appliance must be connected to a double pole isolating switch (fig. 1.1) and to the terminal block in the cooker (figs. 1.2, & 1.3) using the following guide:

- 1) The wire which is coloured brown must be connected to the terminal marked **L** (Live), or coloured Red.
- 2) The wire which is coloured blue must be connected to the terminal marked **N** (Neutral), or coloured Black.
- 3) The wire which is coloured green and yellow must be connected to the terminal marked **E** (Earth) \perp or coloured Green.

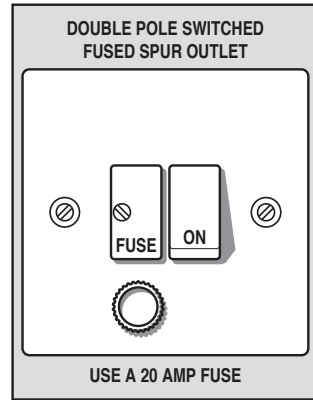


Fig. 1.1

IMPORTANT: These connections must be carried out by a qualified electrical engineer.

Electrical feeder cable connection

To connect the feeder cable to the cooker it is necessary to:

- Remove the screw that hold shield "A" behind the cooker (fig. 1.2).
- Insert the feeder cable of the suitable section (as described in the next chapter) into the cable clamp "D".
- Connect the phase and earth cables to the terminal block "B" according to the diagram in figure 1.3.
- Pull the feeder cable and block it with cable clamp "D".
- Re-mount shield "A".

N.B. The earth conductor must be left about 3 cm longer than the others.

FEEDER CABLE SECTION type H05RR-F

230 V ~ 3 x 2,5 mm² (**)

(**) - Connection with wall box connection.

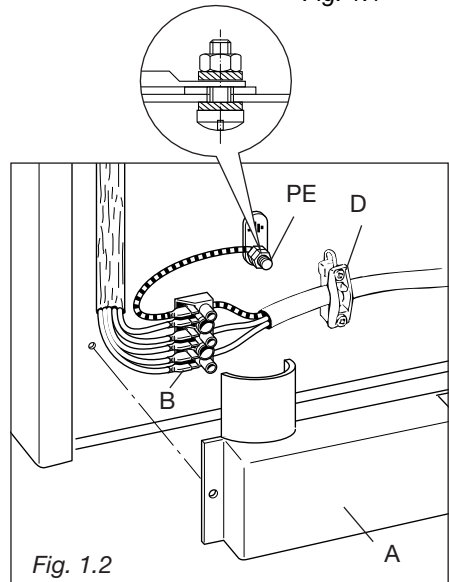


Fig. 1.2

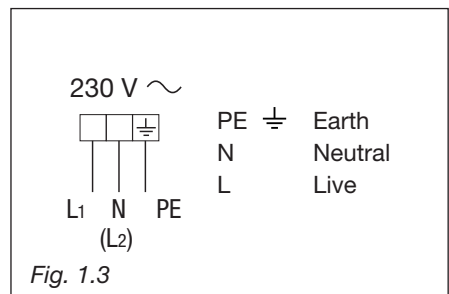


Fig. 1.3

FOR THE INSTALLER

2 - Location

This cooker has class “2/1” overheating protection so that it can be installed next to a cabinet.

The appliance may be installed in a kitchen, Kitchen/diner or a bed sitting room, but not in a room or space containing a bath or a shower.

The appliance must not be installed in a bed-sitting room of less than 20 m³.

The appliance is designed and approved for domestic use only and should not be installed in a commercial, semi commercial or communal environment.

Your product will not be guaranteed if installed in any of the above environments and could affect any third party or public liability insurances you may have. If the cooker is installed adjacent to furniture which is higher than the gas hob cooktop, a gap of at least 200 mm must be left between the side of the cooker and the furniture.

The furniture walls adjacent to the cooker must be made of material resistant to heat.

The veneered synthetic material and the glue used must be resistant to a temperature of 90°C in order to avoid ungluing or deformations.

Curtains must not be fitted immediately behind appliance or within 500 mm of the sides.

It is essential that the cooker is positioned as stated in (Figs. 2.1a - 2.1b).

The cooker must be installed by a qualified technician and in compliance with local safety standards.

If the cooker is located on a pedestal it is necessary to provide safety measures to prevent falling out.

Model CR 9204

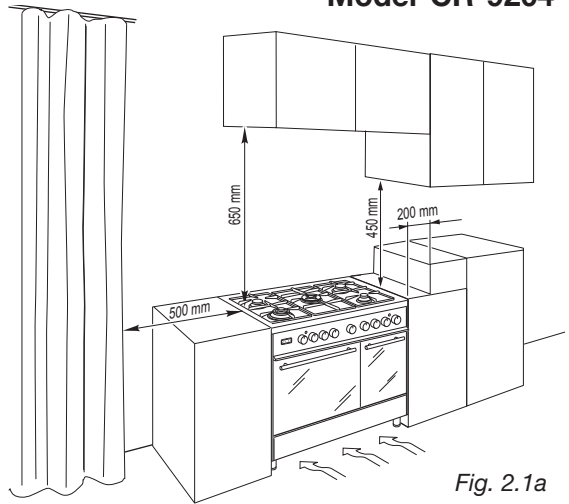


Fig. 2.1a

Model CR 1204

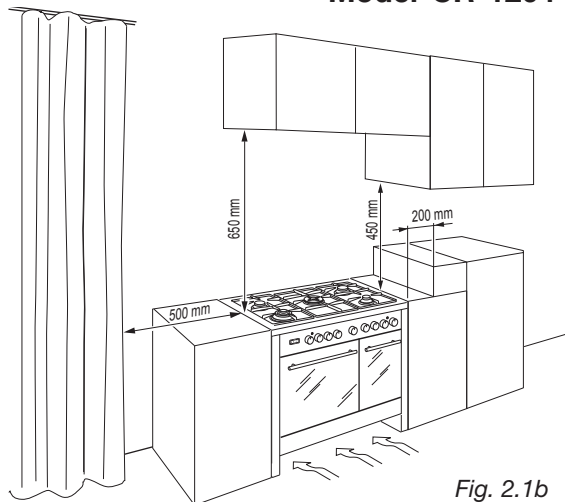
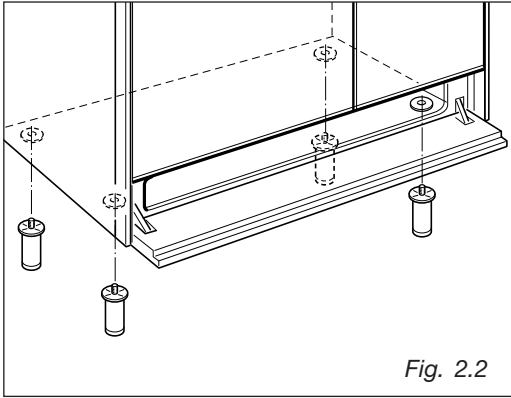


Fig. 2.1b

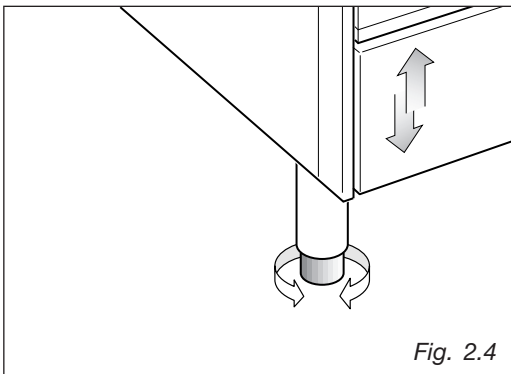
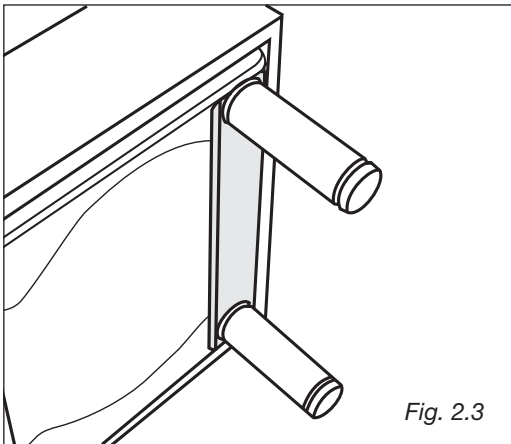
Fitting the adjustable feet and levelling the cooker - Model CR 9204



The adjustable feet must be fitted to the base of the cooker before use.

Rest the rear of the cooker on a piece of the polystyrene packaging exposing the base for the fitting of the feet.

Fit the 4 legs by screwing them tight into the support base as shown in picture 2.3.



Levelling the cooker

The cooker may be levelled by screwing the lower ends of the feet IN or OUT (fig. 2.4).

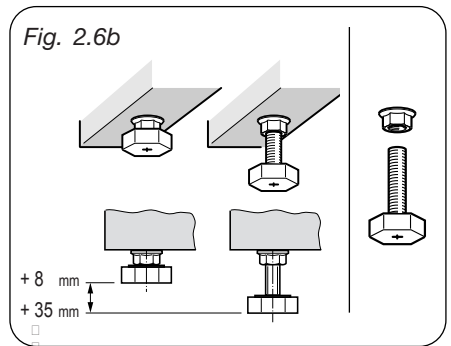
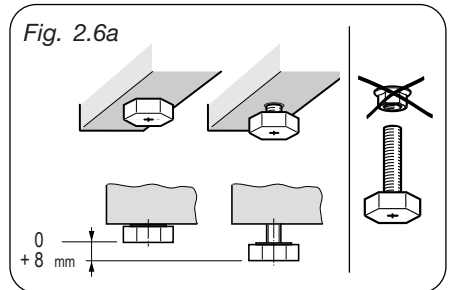
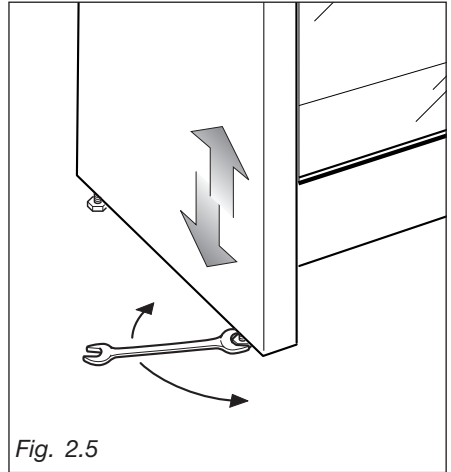
Levelling the cooker - Model CR 1204

The cooker is already fitted with four levelling feet.

Level the cooker by screwing or unscrewing the feet (Fig. 2.5).

Make sure you follow the instructions in Figs. 2.6a and 2.6b.

Note: bolts are supplied with the cooker in a separate kit.



Moving the cooker - Warning

When raising cooker to upright position always ensure two people carry out this manoeuvre to prevent damage to the adjustable feet (fig. 2.7a - 2.7b).

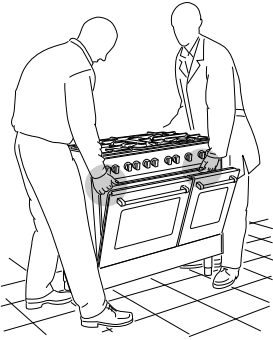


Fig. 2.7a

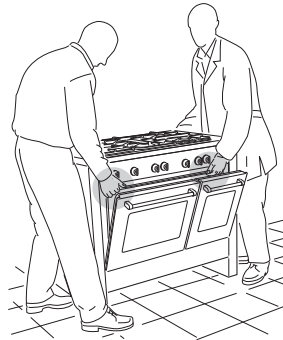


Fig. 2.7b

Warning

Be careful: do not lift the cooker by the door handle when raising to the upright position (fig. 2.8a - 2.8b).

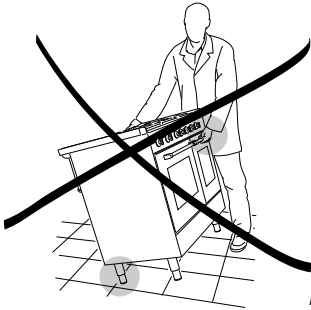


Fig. 2.8a

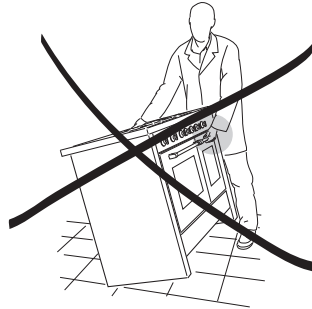


Fig. 2.8b

Warning

When moving cooker to its final position **DO NOT DRAG** (fig. 2.9a - 2.9b). Lift feet clear of floor (fig. 2.7a - 2.7b).



Fig. 2.9a

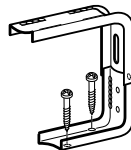
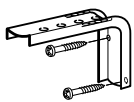
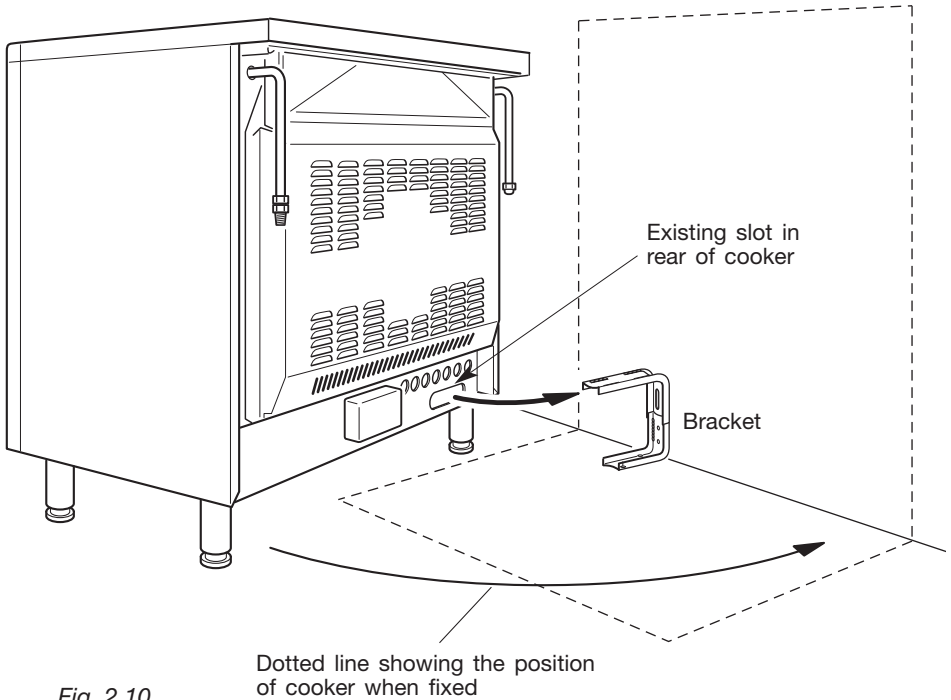


Fig. 2.9b

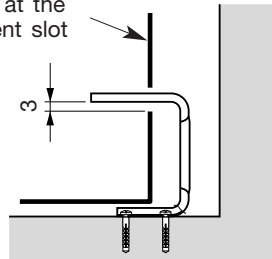
Stability bracket - Model CR 9204

We recommend a stability bracket is fitted to the cooker.

The type shown in fig. 2.10 can be purchased from most plumbers merchants and do it yourself (D.I.Y.) shops.



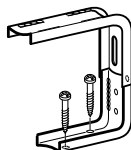
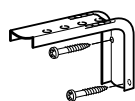
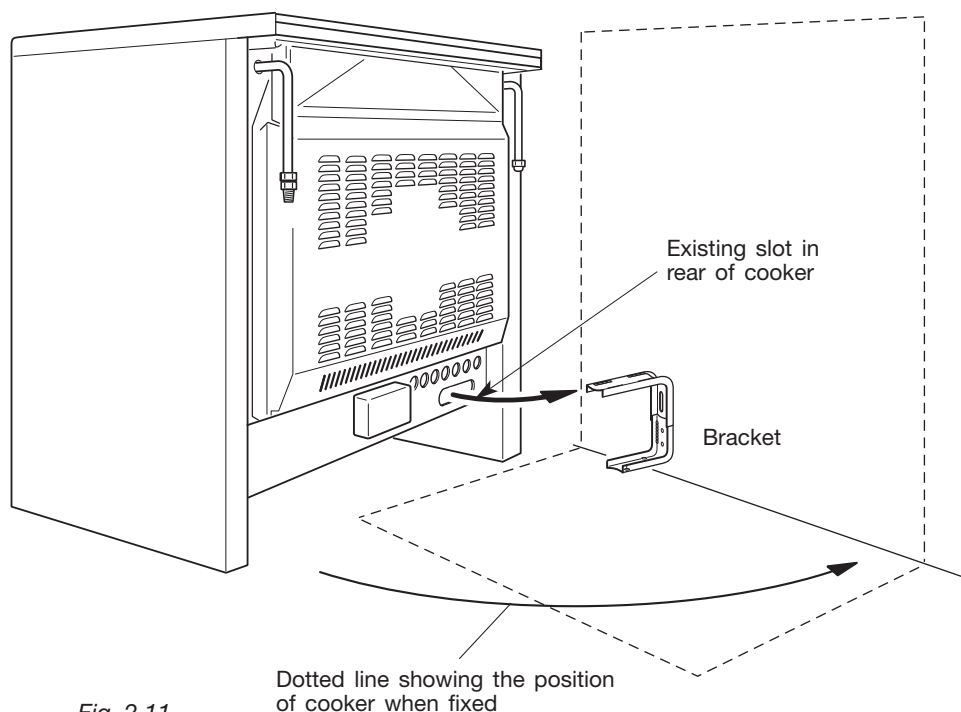
Outline of cooker backplate at the engagement slot



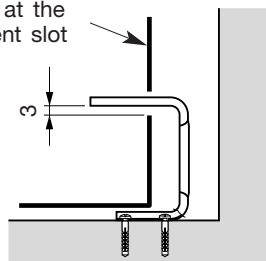
Stability bracket - Model CR 1204

We recommend a stability bracket is fitted to the cooker.

The type shown in fig. 2.11 can be purchased from most plumbers merchants and do it yourself (D.I.Y.) shops.



Outline of cooker backplate at the engagement slot



Provision for ventilation

- The appliance should be installed into a room or space with an air supply in accordance with BS 5440-2: 2000.
- For rooms with a volume of less than 5 m³ - permanent ventilation of 100 cm² free area will be required.
- For rooms with a volume of between 5 m³ and 10 m³ a permanent ventilation of 50 cm² free area will be required unless the room has a door which opens directly to the outside air in which case no permanent ventilation is required.
- For rooms with a volume greater than 10 m³ - no permanent ventilation is required.
- **NB. Regardless of room size, all rooms containing the appliance must have direct access to the outside air via an openable window or equivalent.**
- Where there are other fuel burning appliances in the same room, BS 5440-2: 2000 should be consulted to determine the correct amount of free area ventilation requirements.
- The above requirements allow also for use of a gas oven and grill but if there are other gas burning appliances in the same room, consult a qualified engineer.

3 - Gas installation

IMPORTANT NOTE

This appliance is supplied for use on NATURAL GAS or LPG (check the gas regulation label attached on the appliance).

- Appliances supplied for use on NATURAL GAS: they are adjusted for this gas only and cannot be used on any other gas (LPG) without modification. The appliances are manufactured for conversion to LPG.
- Appliances supplied for use on LPG: they are adjusted for this gas only and cannot be used on any other gas (NATURAL GAS) without modification. The appliances are manufactured for conversion to NATURAL GAS.

If the NATURAL GAS/LPG conversion kit is not supplied with the appliance this kit can be purchased by contacting the After-Sales Service.

Installation & service regulations (United Kingdom)

It is a legal requirement that all gas appliances are Installed & Serviced by a competent person in accordance with the current editions of the following Standards & Regulations or those regulations appropriate to the geographical region in which they are to be installed:

- Gas Safety (Installation & Use) Regulations
- Building Regulations
- British Standards
- Regulations for Electrical Installation

Installation and service of any gas product must be made by a suitably qualified person competent on the type of product being installed or serviced and holding a valid certificate of competence for the work being carried out. Currently the proof of competence is the Accredited Certification Scheme (ACS) or S/NVQ that has been aligned to the ACS.

It is also a requirement that all businesses or self employed installers are members of a class of person approved by the Health and Safety Executive.

Failure to install the appliance correctly could invalidate any manufacturers warranty and lead to prosecution under the above quoted regulation.

Gas connection

The installation of the gas appliance to Natural Gas or LP Gas must be carried out by a suitably qualified and registered person. Installers shall take due account of the provisions of the relevant British Standards Code of Practice, the Gas Safety Regulations and the Building Standards (Scotland)(Consolidation) Regulations issued by the Scottish Development Department.

Installation to Natural Gas

Installation to Natural Gas must conform to the Code of Practice, etc.

The supply pressure for Natural Gas is 20 mbar.

The installation must conform to the relevant British Standards.

Installation to LP Gas

When operating on Butane gas a supply pressure of 28-30 mbar is required. When using Propane gas a supply pressure of 37 mbar is required.

The installation must conform to the relevant British Standards.

Warning: Only a suitably qualified and registered person, also with technical knowledge of electricity should install the appliance. He should observe the Regulations and Codes of Practice governing such installation of gas appliances.

Note: It is recommended that the gas connection to the appliance is installed with a flexible connecting tube made to BS5386.

Notes:

- **Flexible hoses can be used where the sited ambient temperature of the hose does not exceed 70°C. These hoses must be manufactured in accordance with BS669 part 1 and be of the correct construction for the type of gas being used.**
- **Gas hoses designed for natural gas MUST NOT be used for supplying LPG gas (LPG gas hoses can be identified by a either a red band or stripe on the rubber outer coating of the hose).**
The hose should not be crushed or trapped or be in contact with sharp or abrasive edges.

Using a suitable leak detection fluid solution (e.g. Rocol) check each gas connection one at a time by brushing the solution over the connection.

The presence of bubbles will indicate a leak.

If there is a leak, tighten the fitting and then recheck for leaks.

IMPORTANT!

Do not use a naked flame to test for leaks.

Gas connection **GB** Cat: II 2H3+

The gas supply must use the nearest gas inlet pipe which is located at the left or the right hand side at the rear of the appliance (figs. 3.1a, 3.1b).

The hose should be connected in such way that it does not touch the floor.

To screw the connecting tube operate with two spanners (fig. 3.2).

The unused end inlet pipe must be closed with the plug interposing the gasket.

After connecting to the mains, check that the coupling are correctly sealed, using soapy solution, but never a flame.

Model CR 9204

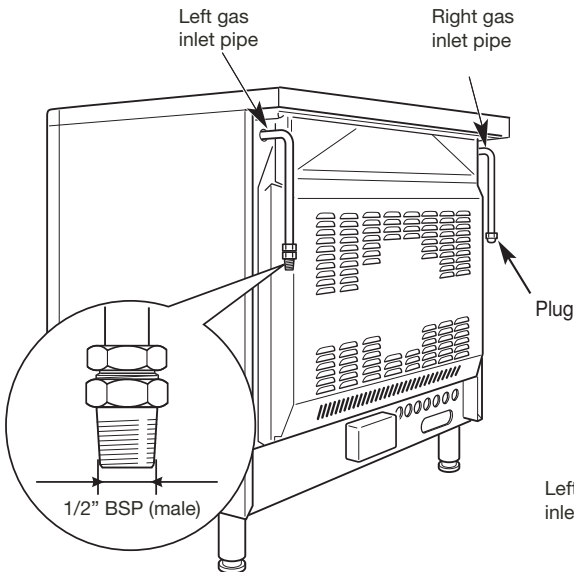
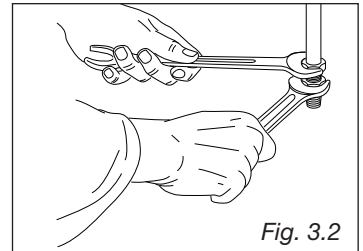


Fig. 3.1a



Model CR 1204

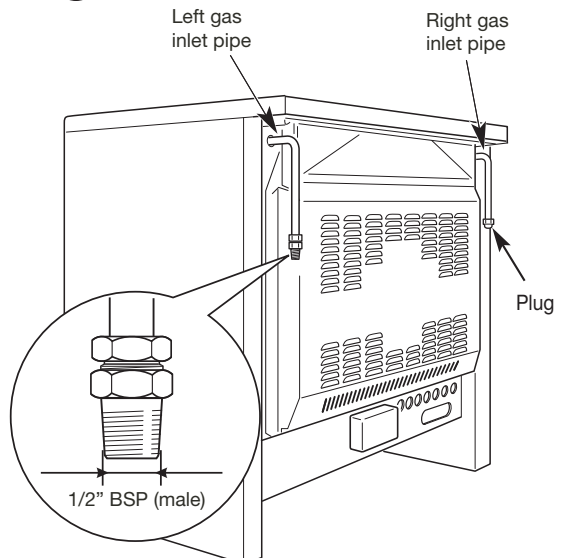
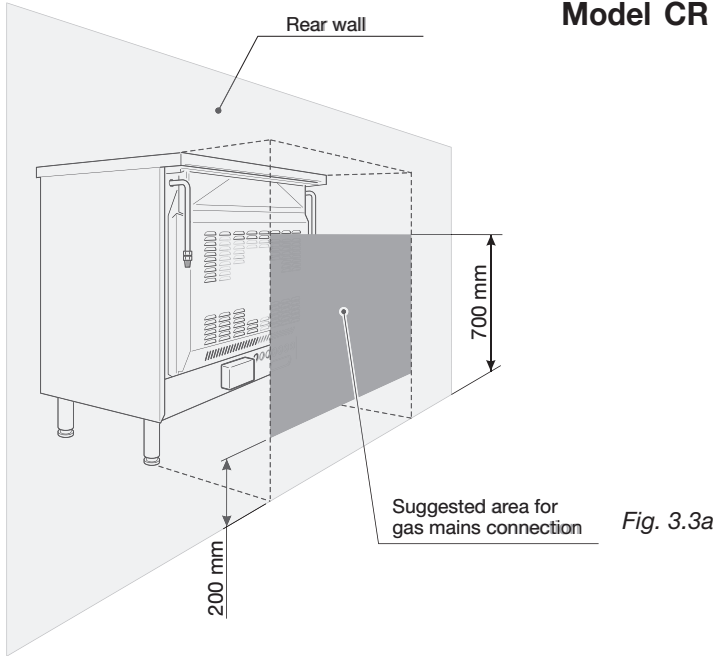


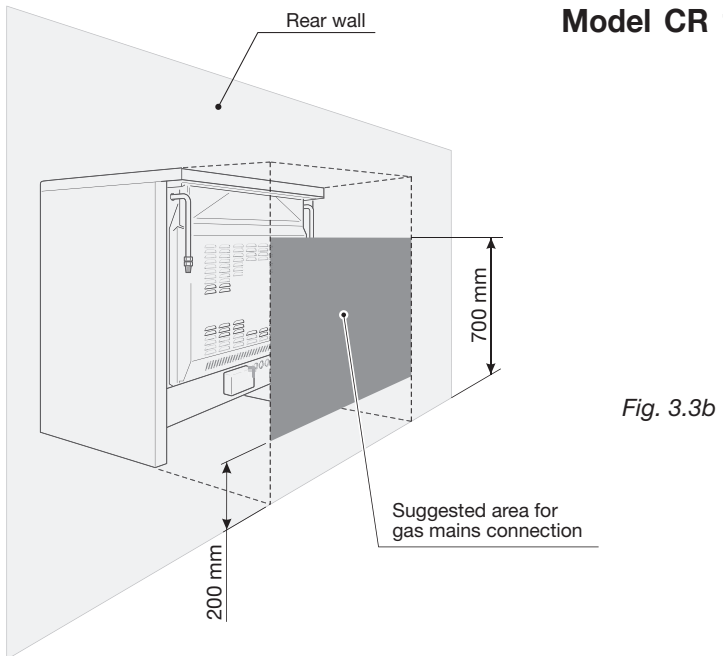
Fig. 3.1b

Important prescriptions for gas connection

Model CR 9204



Model CR 1204



Conversion to Natural Gas or to LPG

Injectors replacement of top burners

Every cooker is provided with a set of injectors for the various types of gas.

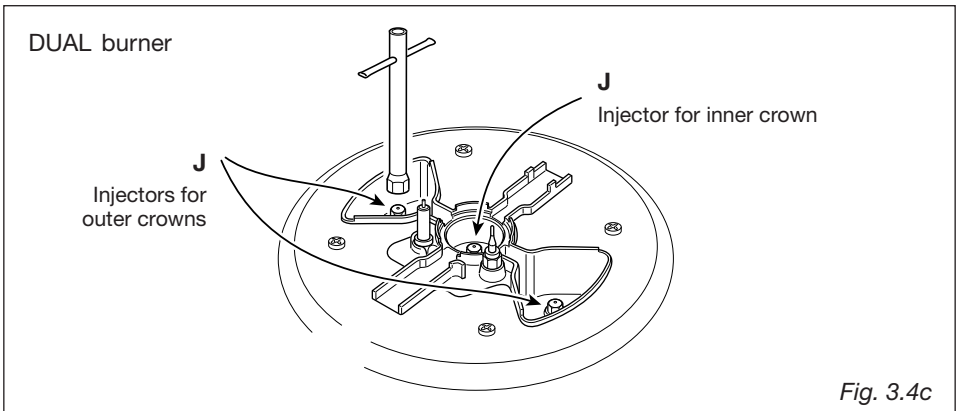
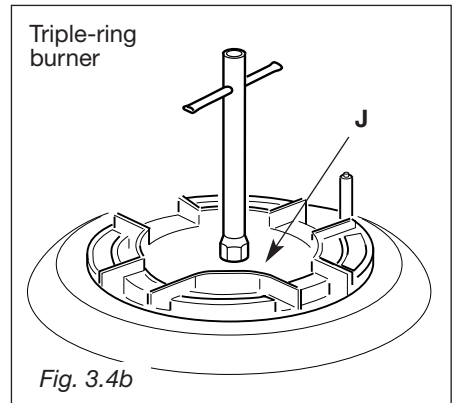
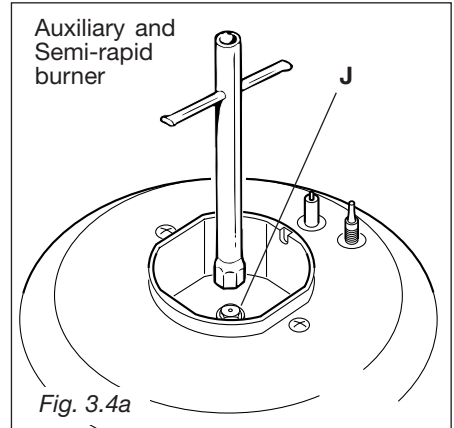
Injectors not supplied can be obtained from the After-Sales Service.

Select the injectors to be replaced according to the table at page 21. The nozzle diameters, expressed in hundredths of a millimetre, are marked on the body of each injector.

To replace the injectors proceed as follows:

- Remove the grids and extract the burner bodies.
- Using a wrench, substitute the nozzle injectors "J" (Figs. 3.4a, 3.4b, and 3.4c) with those most suitable for the kind of gas for which it is to be used (see "Table for the choice of the injectors").

The burners are constructed in such a way so as not to require the regulation of the primary air.




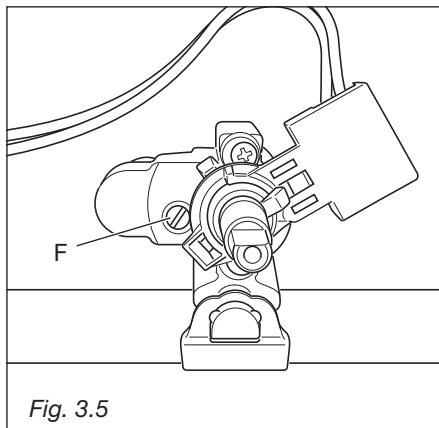
Adjusting of the minimum of the top burners

In the minimum position the flame must have a length of about 4 mm and must remain lit even with a quick turn from the maximum position to that of minimum.


The flame adjustment is done in the following way:

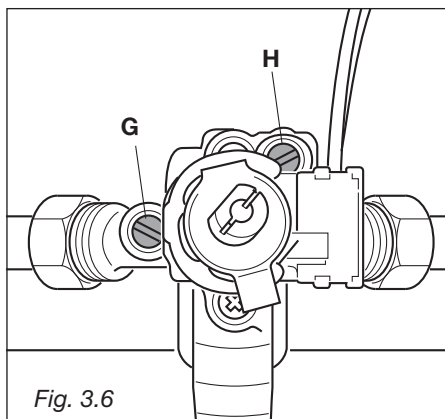
Auxiliary, semi-rapid and triple-ring burners

- Light the burner
- Set the gas valve to  position
- Remove the knob
- Using a screwdriver turn the screw **F** until the correct setting is obtained (fig. 3.5).




Inside crown of DUAL burner

- Light the DUAL burner
- Set the gas valve to  position
- Remove the knob
- Using a screwdriver turn the screw **H** until the correct setting is obtained (fig. 3.6).




Outside crowns of DUAL burner

- Light the DUAL burner
- Set the gas valve to  position
- Remove the knob
- Using a screwdriver turn the screw **G** until the correct setting is obtained (fig. 3.6).

Normally for LPG, tighten up the regulation screw.

TABLE FOR THE CHOICE OF THE INJECTORS

 Cat: II 2H 3+			G30/G31 28-30/37 mbar	G 20 20 mbar
BURNERS	Nominal Power [Hs - kW]	Reduced Power [Hs - kW]	Ø injector [1/100 mm]	Ø injector [1/100 mm]
Auxiliary (A)	1,00	0,30	50	72 (X)
Semi-rapid (SR)	1,75	0,45	65	97 (Z)
Triple ring (TR)	3,50	1,50	95	135 (T)
Dual (DB)	inner crown	1,00 (#)	0,32 (#) (no. 1 central)	69 (F1) (no. 1 central)
	outer crowns	4,50 (*)	1,90 (*) (no. 2 outer)	102 (Z) (no. 2 outer)

(#): Power calculated with inner crown operating.

(*): Power calculated with inner and outer crowns operating.

AIR VENT NECESSARY FOR GAS COMBUSTION = (2 m³/h x kW)	
BURNERS	Air necessary for combustion [m ³ /h]
Auxiliary (A)	2,00
Semi-rapid (SR)	3,50
Triple ring (TR)	7,00
Dual (DB) - inner crown operating	2,00
Dual (DB) - inner & outer crowns operating	9,00

Lubrication of the gas taps

The operations must be executed by a qualified technician.

IMPORTANT

All intervention regarding installation maintenance and conversion of the appliance must be fulfilled with original factory parts.

The manufacturer declines any liability resulting from the non-compliance of this obligation.

4 - Features and Technical Data

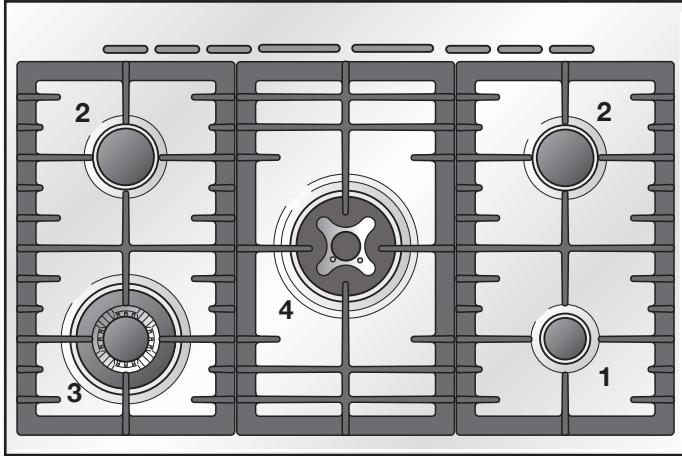


Fig. 4.1

Cooking hob - (Fig. 4.1)

1. Auxiliary burner (A)	1,00 kW
2. Semi-rapid burner (SR)	1,75 kW
4. Triple-ring burner (TR)	3,50 kW
4. Dual burner (DB)	4,50 kW

Important Note:

The electric ignition is incorporated in the knobs.

The appliance has a safety valve system fitted, the flow of gas will be stopped if and when the flame should accidentally go out.

CAUTION:

If the burner is accidentally extinguished, turn the gas off at the control knob and wait at least 1 minute before attempting to relight.

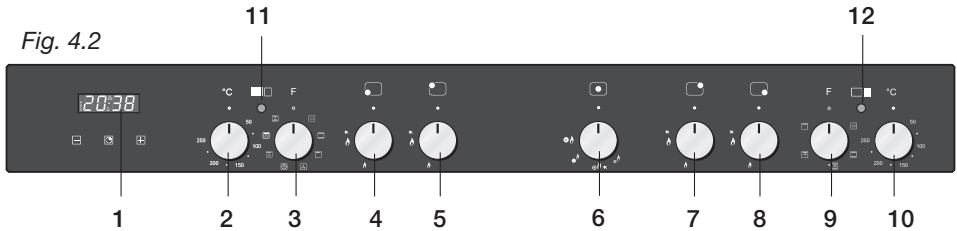
CAUTION:

Gas appliances produce heat and humidity in the environment in which they are installed.

Ensure that the cooking area is well ventilated following national/local codes.

Control Panel

Fig. 4.2



Control panel - Controls description - (Fig. 4.2)

1. Clock and timer with “Touch-Control” keys (main oven only)
2. Multifunction main oven thermostat knob (left oven)
3. Multifunction main oven switch knob (left oven)
4. Front left burner control knob
5. Rear left burner control knob
6. Central burner control knob
7. Rear right burner control knob
8. Front right burner control knob
9. Conventional oven switch knob (right oven)
10. Conventional oven thermostat knob (right oven)

Pilot lamps:

11. Main oven thermostat indicator light (left oven)
12. Conventional oven thermostat indicator light (right oven)

Please note: This appliance incorporates a safety cooling fan which you will hear operating whenever the oven or grill are in use. This fan is to reduce the external temperature of the appliance and cool the internal components.

How To Use the Hob Burners


GAS BURNERS


(Auxiliary, Semi-rapid and triple ring)


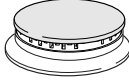
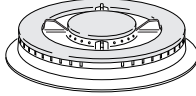




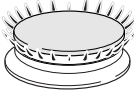
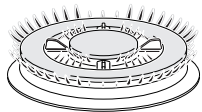
Gas flow to the burners is adjusted by turning the knobs (illustrated in fig. 4.3) which control the valves.

Turning the knob so that the indicator line points to the symbols printed on the panel achieves the following functions:

The maximum aperture position permits rapid boiling of liquids, whereas the minimum aperture position allows simmer warming of food or maintaining boiling conditions of liquids.

To reduce the gas flow to minimum, rotate the knob further anti-clockwise to point the indicator towards the  position.


Other intermediate operating adjustments can be achieved by positioning the indicator between the maximum and minimum aperture positions, and never between the maximum aperture and  positions.

Knob position	Function	AUXILIARY and SEMI-RAPID burners	TRIPLE RING burner
	closed valve		
	maximum rate		
	minimum rate		



Lighting gas burners fitted with flame failure safety device

(Auxiliary, Semi-rapid and triple ring burners)

In order to light the burner, you must:

- 1 – Push and turn the knob in an anti-clockwise direction up to the  position (maximum rate), push in and hold the knob until the flame has been lit (fig. 4.3).

The sparks produced by the lighter situated inside the relative burner will light the flame.

In the event that the local gas supply conditions makes it difficult to light the burner in  position, try again with the knob in  position.

If there is no mains electrical supply, bring a lighted match close to the burner.

- 2 – Wait for about ten seconds after the gas burner has been lit before letting go the knob (safety device activation delay).
- 3 – Adjust the gas valve to the desired position.

If the burner flame should go out for some reason, the safety valve will automatically stop the gas flow.



To re-light the burner, return the knob to the closed  position, **wait for at least 1 minute** and then repeat the lighting procedure.



Fig. 4.3

N.B. When the cooker is not being used, set the gas knobs to their  positions and also close the gas shut-off valve placed on the main gas supply line.

Caution!
The cooker becomes very hot during operation.
Keep children well out of reach.

Gas burners (Dual)

The Dual Burner is a very flexible burner which allows different regulations and optimal cooking.

It is composed by one inner and two outer crowns; the flame of the inner crown can be regulated separately from the flames of the outer crowns.

The Dual Burner can be used:

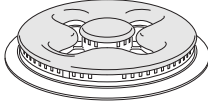

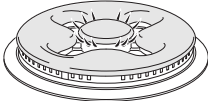


- as a small burner (flame produced only by the inner crown) which can be adjusted from the maximum (☉🔥) to the minimum (⊙🔥) position.

Intermediate operating adjustments can be achieved by positioning the indicator between the maximum and minimum opening positions, and never between the maximum opening and ● position.

- as a high-power burner (all flames produced simultaneously by inner and outer crowns) which can be adjusted from the maximum (☉🔥★) to the minimum (⊙🔥) position.


Gas flow to the burner is adjusted by turning the knob (illustrated in fig. 4.4) which controls the valve.

Turning the knob so that the indicator points to the symbol printed on the control panel achieves the following functions:



Knob position	Function	DUAL burner
●	closed valve	
☉🔥	maximum rate of inner crown (only inner flame at the maximum)	
⊙🔥	minimum rate of inner crown (only inner flame at the minimum)	
☉🔥★	maximum rate of inner + outer crowns (inside and outside flames in simultaneously at the maximum)	
⊙🔥	minimum rate of inner + outer crowns (inside and outside flames in simultaneously at the minimum)	

Lighting gas burner fitted with flame failure safety device (Dual Burner)

In order to light the burner, you must:

- 1 –Push and turn the knob in an anti-clockwise (fig. 4.4) direction up to the  position (maximum rate of inner and outer crowns); push in and hold the knob until the flame has been lit.


The sparks produced by the lighter situated inside the relative burner will light the flame.

In the event that the local gas supply conditions makes it difficult to light the burner in  position, try again with the knob in  position.

If there is no mains electrical supply connection, bring a lighted match close to the burner.

- 2 –Wait for about ten seconds after the gas burner has been lit before letting go the knob (safety device activation delay).
- 3 –Adjust the gas valve to the desired position.


If the burner flame should go out for some reason, the safety valve will automatically stop the gas flow.

To re-light the burner, return the knob to the closed position , **wait for at least 1 minute** and then repeat the lighting procedure.

Note: To change from using the inner crown only to using both the inner and outer crowns together, press the control knob down before turning it. You have to do the same when going from using both crowns to using just the inner crown.



Fig. 4.4

N.B. When the cooker is not being used, set the gas knobs to their  positions and also close the gas shut-off valve placed on the main gas supply line.

Caution!
The cooker becomes very hot during operation.
Keep children well out of reach.

Choice of burner

The burner must be chosen according to the diameter of the pans and energy required.

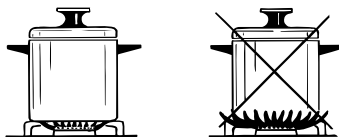




Fig. 4.5

Burners		Pan diameter
Auxiliary		12 - 14 cm
Semi-rapid		16 - 24 cm
Triple ring		26 - 28 cm
Dual (only inner crown)		12 - 14 cm
Dual (inner + outer crowns)		26 - 28 cm
Wok		max 36 cm

do not use pans with concave or convex bases

Saucepans with handles which are excessively heavy, in relationship to the weight of the pan, are safer as they are less likely to tip.

Pans which are positioned centrally on burners are more stable than those which are offset.

It is far safer to position the pan handles in such a way that they cannot be accidentally knocked.

When deep fat frying fill the pan only one third full of oil.

DO NOT cover the pan with a lid and **DO NOT** leave the pan unattended.

In the unfortunate event of a fire, leave the pan where it is and turn off all controls.

Place a damp cloth or correct fitting lid over the pan to smother the flames.

DO NOT use water on the fire.

Leave the pan to cool for at least 30 minutes.

Caution!

The cooking hob becomes very hot during operation.

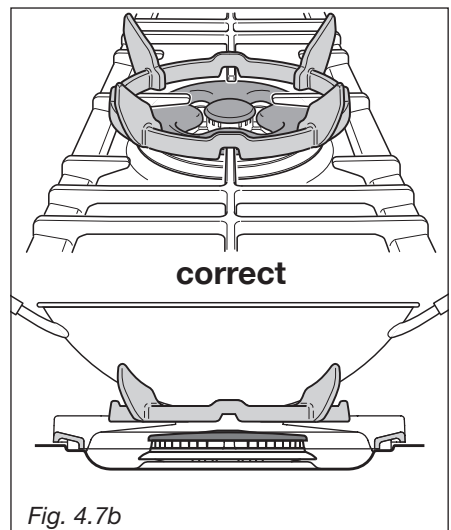
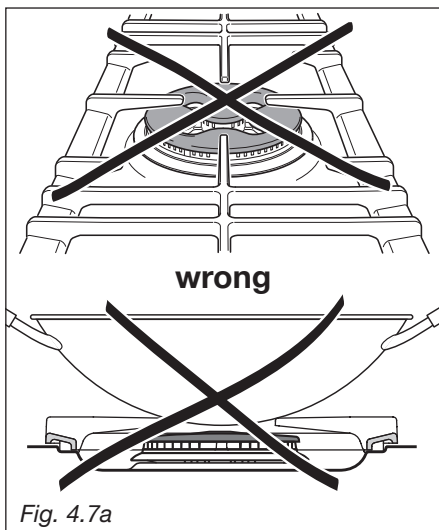
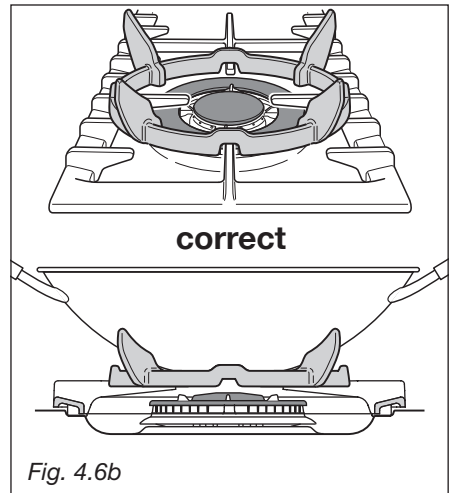
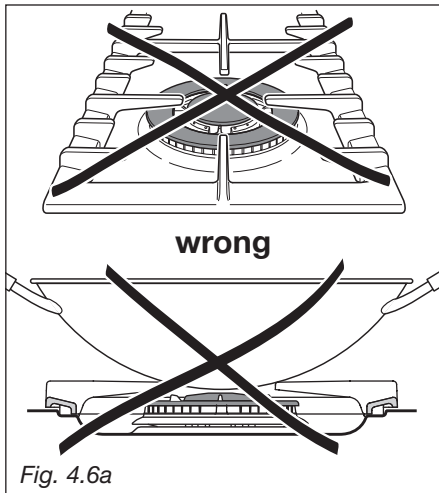
Keep children well out of reach.

Correct use of triple-ring/dual burner

The flat-bottomed pans are to be placed directly onto the pan-support.
To use the WOK you need to place the proper stand in order to avoid any faulty operation of the triple-ring/dual burner (Figs. 4.6a, 4.6b, 4.7a, 4.7b).

IMPORTANT:



The special grille for wok pans (figs. 4.6b, 4.7b) **MUST BE PLACED ONLY** over the pan-rest for the triple-ring/dual burner.




5 - Clock and timer with “Touch-Control” keys

(left main oven only)

keys

 and  Touched simultaneously (for more than 2 seconds):

- setting the clock;
- setting the timer volume (by touching once, along with the “” key);
- to cancel automatic cooking at any time.





Function selection (touched for more than 2 seconds):

- setting the clock (only after first connection or after a power failure);



Fig. 5.1

- timer;
- automatic cooking “**dur**” (duration) - how long the food will take to cook (by touching the “” key again);
- automatic cooking “**End**” - the time you would like the oven turns off (by touching the “” key two more times);



Increases the number shown on the display



Decreases the number shown on the display

Illuminated symbols:

AUTO *flashing* - automatic cooking completed, oven in automatic position but not set


AUTO *steady illumination* - oven set for automatic cooking, cooking still not taking place

“” *flashing* - timer being set

“” *steady illumination* - timer in operation

“” *steady illumination* - oven set for manual cooking

“” and **AUTO** *AUTO flashing* - automatic cooking being set


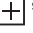
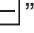
“” and **AUTO** *steady illumination* - oven set for automatic cooking, cooking taking place.

“TOUCH-CONTROL” keys




The “touch-control” keys shall be operated by the fingers (just by touching the key). When using touch controls it is best to use the ball of your finger rather than the tip.

The keys are automatically deactivated:



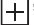

- 8 seconds after the last selection; the deactivation is indicated by an acoustic signal (“beep”).

To reactivate just touch the “” key or the “” and “” keys (simultaneously) for more than 2 seconds.


Setting the clock

When first connected, or after a power failure, the digits and “**AUTO**” will shown on the display. To set the clock, touch the “” key, for more than 2 seconds, and then the “” or “” keys.

Important: the oven does not operate, in manual cooking, without first having set the clock.

To set the clock, with the appliance already connected, touch the “” and “” keys simultaneously (for more than 2 seconds), then “” or “” keys.

Important:



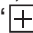



- **changing the time will delete any automatic program;**
- **after setting the clock, the oven starts to operate in the selected function (manual cooking). The “” symbol is steady illuminated.**


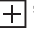
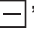


Using the timer

You can use the timer at any time, even when the oven is not in use.

The timer does not turn the oven off.

The timer can be set for up to 23 hours and 59 minutes.

- To set the timer, touch the “” key for more than 2 seconds (the “” symbol flashes), than the “” or “” keys.
- After about 8 seconds an acoustic signal (“beep”) will sound confirming the regulation (“” symbol steady illuminated).
- To check the remaining time touch the “” key for more than 2 seconds. If the remaining time is more than a minute the display will show hours and minutes; if less than a minute the display will show seconds.
- When the time is up, the timer will beep.

Touch the touch the “” key, for more then 2 seconds, to turn it off; or press the “” or “” key to stop the beep and than the “” key, for more than 2 seconds, to deactivate the “” symbol flashing on the display.

- Turn off the oven manually (function and thermostat knobs in the off position) if the manual cooking has been completed.

Setting the timer volume

You can select from three volume levels.

- Touch the “+” and “-” keys simultaneously for more than 2 seconds.
- Touch the “⊙” key; you can read on the display the current timer volume (“*ton1*”, “*ton2*” or “*ton3*”).
- Touch the “-” key to listen or change the timer volume.
- Timer volume activated: the last displayed.
- After about 8 seconds an acoustic signal (“*beep*”) will sound confirming the volume setting; then the time of day will be displayed.

Automatic cooking

Use automatic cooking to automatically turn the oven on, cook, and then turn the oven off.

1. Check the clock shows the correct time.
2. Select the function and temperature (function and temperature knobs). The oven will come on.
3. Decide how long the food will take to cook, allowing time for preheating if necessary.
4. Touch the “⊙” key for more than 2 seconds and then touch again. “*dur*” will show (duration). Using the “+” and “-” keys, set the cooking time.
5. Decide the time you would like the oven to turn off; touch the “⊙” key for more than 2 seconds and then touch it two times again. “*End*” will show. Using the “+” and “-” keys, set the cooking time.

Note: while “*dur*” is displayed you can change to “*End*” just by touching one time the “⊙” key (within 8 seconds from the last selection).

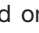
If there is time to wait before cooking starts, the current time of day and “**AUTO**” will show in the clock display. The oven will switch off but is now set for automatic cooking.

If you are already at home to turn the oven on and only want the oven to turn off automatically, start cooking as normal, then follow step 4 or step 5 to set a time to stop the oven.

When automatic cooking starts, “” will be displayed and the oven will turn on.

- To see the remaining cook time, follow step 4 up to display “*dur*” (duration).
- To see the set stop time, follow step 5 up to display “*End*”.
- To cancel automatic cooking at any time, touch the “+” and “-” keys simultaneously (for more than 2 seconds) and turn the temperature and function knobs to the off position.

When the stop time is reached, the oven will turn off, the timer will beep and “**AUTO**” will flash:

- Touch any key to stop the beeping.
- Touch the “⊙” key, for more than 2 seconds, to return the oven to the manual mode (“” symbol steady illuminated on the display).
- Turn the temperature and function knobs to the off position.

Attention: after a power failure any automatic program is deleted. Turn off the oven manually.

6 - Multifunction main oven (left oven)

Attention: the oven door becomes very hot during operation. Keep children away.

General features




As its name indicates, this is an oven that presents particular features from an operational point of view.

In fact, it is possible to insert 7 different programs to satisfy every cooking need.

The 7 positions, thermostatically controlled, are obtained by 4 heating elements which are:

- Bottom element 1200 W
- Top element 1000 W
- Grill element 2000 W
- Circular element 2200 W

Note:

Upon first use, it is advisable to operate the oven for 30 minutes in the position  and for another 30 minutes at the maximum temperature (thermostat knob on position 250) in the positions  and , to eliminate possible traces of grease on the heating elements.

Clean the oven and accessories with warm water and washing-up liquid.

WARNING:

The door is hot, use the handle.

During use the appliance becomes hot. Care should be taken to avoid touching heating elements inside the oven.

OPERATING PRINCIPLES

Heating and cooking in the MULTI-FUNCTION oven are obtained in the following ways:

a. by normal convection

The heat is produced by the upper and lower heating elements.

b. by forced convection

A fan sucks in the air contained in the oven muffle, which sends it through the circular heating element and then sends it back through the muffle. Before the hot air is sucked back again by the fan to repeat the described cycle, it envelops the food in the oven, provoking a complete and rapid cooking.

It is possible to cook several dishes simultaneously.

c. by semi-forced convection

The heat produced by the upper and lower heating elements is distributed throughout the oven by the fan.

d. by radiation

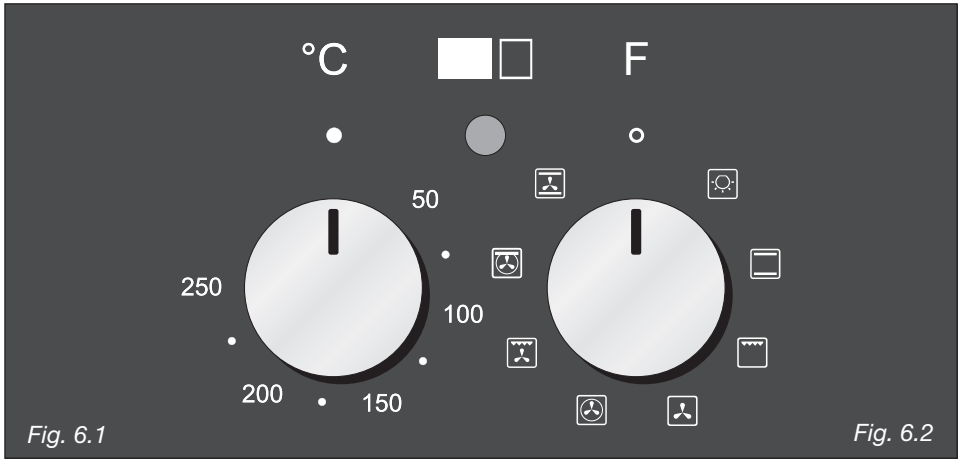
The heat is irradiated by the infra red grill element.

e. by radiation and ventilation

The irradiated heat from the infra red grill element is distributed throughout the oven by the fan.

f. by ventilation

The food is defrosted by using the fan only function without heat.



Thermostat knob (fig. 6.1)

This only sets the cooking temperature and does not switch the oven on. Rotate clockwise until the required temperature is reached (**from 50 to 250°C**). The oven thermostat indicator light will illuminate when the oven is switched on and turns off when the oven reaches the correct temperature. The light will cycle on and off during cooking.

Function selector knob (fig. 6.2)

Rotate the knob clockwise to set the oven for one of the following functions:



Oven light

By setting the knob to this position, only the oven light comes on. It remains on in all the cooking modes.



Traditional convection cooking

The upper and lower heating elements are switched on. The heat is diffused by natural convection and the temperature must be regulated between 50° C and 250° C with the thermostat knob.

It is necessary to preheat the oven before introducing the foods to be cooked.

Recommended for:

For foods which require the same cooking temperature both internally and externally, i. e. roasts, spare ribs, meringue, etc.



Grilling

The infra-red heating element is switched on. The heat is diffused by radiation. Use with the **oven door closed** and the thermostat knob to between **50°** and **225°C** for **max 15** minutes, then to position **175°C**.

Note: It is recommended that you do not grill for longer than 30 minutes at any one time.

Attention: the oven door becomes very hot during operation. Keep children away. For correct use see chapter "USE OF THE GRILL".

Recommended for:

Intense grilling action for cooking with a broiler; browning, crisping, "au gratin", toasting, etc.



Defrosting frozen foods

Only the oven fan is on.

To be used with the thermostat knob on "●" because the other positions have no effect. The defrosting is done by simple ventilation without heat.

Recommended for:

To rapidly defrost frozen foods; 1 kilogram requires about one hour.

The defrosting times vary according to the quantity and type of foods to be defrosted.



Hot air cooking

The circular element and the fan are on.

The heat is diffused by forced convection and the temperature must be regulated between 50° and 250 °C with the thermostat knob.

It is not necessary to preheat the oven.

Recommended for:

For foods that must be well done on the outside and tender or rare on the inside, i. e. lasagna, lamb, roast beef, whole fish, etc.



Ventilated grill cooking

The infra-red ray grill and the fan are on.

The heat is mainly diffused by radiation and the fan then distributes it throughout the oven. The temperature must be regulated between 50° and 175 °C **for max 30 minutes**, with the thermostat knob.

It is necessary to preheat the oven for about 5 minutes.

Use with the oven door closed.

Attention: the oven door becomes very hot during operation.

Keep children away.

For correct use see chapter “GRILLING AND “AU GRATIN”.

Recommended for:

For grill cooking when a fast outside browning is necessary to keep the juices in, i. e. veal steak, steak, hamburger, etc.



Maintaining temperature after cooking or slowly heating foods

The upper element and the circular element connected in series, are switched on; also the fan is on.

The heat is diffused by forced convection with the most heat being produced by the upper element.

The temperature must be regulated between 50° and 140 °C with the thermostat knob.

Recommended for:

To keep foods hot after cooking. To slowly heat already cooked foods.



Convection cooking with ventilation

The upper and lower heating elements and the fan turn on.

The heat coming from the top and bottom is diffused by forced convection.

The temperature must be regulated between 50° and 250 °C with the thermostat knob.


Recommended for:

For foods of large volume and quantity which require the same internal and external degree of cooking; for ie: rolled roasts, turkey, legs, cakes, etc.

Cooking Advice


STERILIZATION

Sterilization of foods to be conserved, in full and hermetically sealed jars, is done in the following way:

- a. Set the switch to position .
- b. Set the thermostat knob to position 185 °C and preheat the oven.
- c. Fill the dripping pan with hot water.
- d. Set the jars onto the dripping pan making sure they do not touch each other and the door and set the thermostat knob to position 135 °C.

When sterilization has begun, that is, when the contents of the jars start to bubble, turn off the oven and let cool.

Regeneration


Set the switch to position  and the thermostat knob to position 150° C. Bread becomes fragrant again if wet with a few drops of water and put into the oven for about 10 minutes at the highest temperature.

Roasting

To obtain classical roasting, it is necessary to remember:

- that it is advisable to maintain a temperature between 180 and 200 °C.
- that the cooking time depends on the quantity and the type of foods.

Grilling and “au gratin”

Set the switch to position .
Set the thermostat to position 175 °C and after having preheated the oven, simply place the food on the shelf.

Close the door and let the oven operate with the thermostat on, until grilling is complete. Adding a few dabs of butter before the end of the cooking time gives the golden “au gratin” effect.

Note: It is recommended that you do not grill for longer than 30 minutes at any one time.

**ATTENTION: the oven door becomes very hot during operation.
Keep children away.**

Simultaneous cooking of different foods

The MULTI-FUNCTION oven set on position  and  gives simultaneous heterogeneous cooking of different foods.

Different foods such as fish, cake and meat can be cooked together without mixing the smells and flavours.

This is possible since the fats and vapors are oxidized while passing through the electrical element and therefore are not deposited onto the foods.

The only precautions to follow are:

- The cooking temperatures of the different foods must be as close to as possible, with a maximum difference of 20° - 25 °C.
- The introduction of the different dishes in the oven must be done at different times in relation to the cooking times of each one.

The time and energy saved with this type of cooking is obvious.

Use of the grill

Preheat the oven for about 5 minutes.

Introduce the food to be cooked, positioning the rack as close to the grill as possible.

The drip pan should be placed under the rack to catch the cooking juices and fats.

Grilling with the oven door closed.

Do not grill for longer than 30 minutes at any one time.

Caution: the oven door becomes very hot during operation.

Keep children well out of reach.

Oven cooking

Before introducing the food, preheat the oven to the desired temperature.

For a correct preheating operation, it is advisable to remove the tray from the oven and introduce it together with the food, when the oven has reached the desired temperature.

Check the cooking time and turn off the oven 5 minutes before the theoretical time to recuperate the stored heat.



7 - Conventional oven (right oven)

General features

The conventional oven is provided with 3 heating elements which are:

- Top element 700 W
- Bottom element 800 W
- Grill element 1450 W

NOTE:

Upon first use, it is advisable to operate the oven for 30 minutes in the position  and for another 30 minutes at the maximum temperature (thermostat knob on position 250) in the position  to eliminate possible traces of grease on the heating elements.

Operating principles

Heating and cooking in the CONVENTIONAL oven are obtained in the following ways:

a. by natural convection

The heat is produced by the upper and lower heating elements.

b. by radiation

The heat is radiated by the infra red grill element.

WARNING:

The door is hot, use the handle.

During use the appliance becomes hot. Care should be taken to avoid touching heating elements inside the oven.

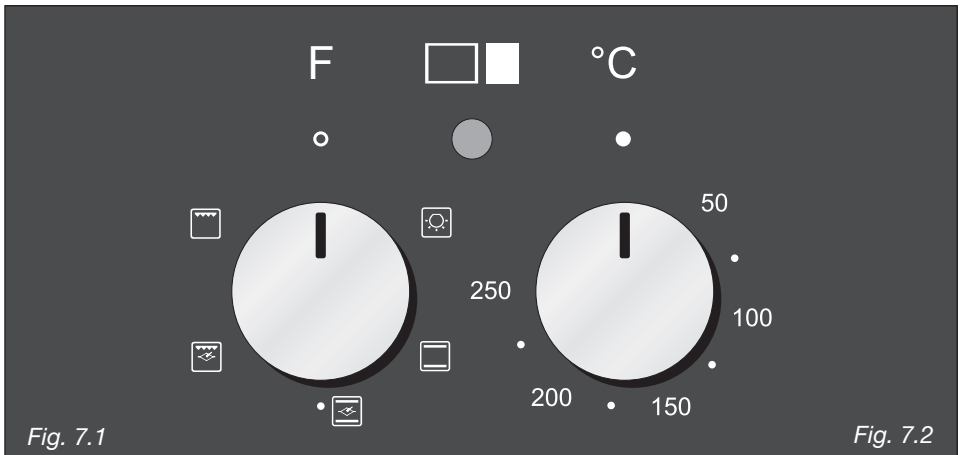


Fig. 7.1

Fig. 7.2

Thermostat knob (fig. 7.2)

This only sets the cooking temperature and does not switch the oven on. Rotate clockwise until the required temperature is reached (**from 50 to 250°C**).

The oven thermostat indicator light will illuminate when the oven is switched on and turns off when the oven reaches the correct temperature.

The light will cycle on and off during cooking.

Function selector knob (fig. 7.1)

Rotate the knob clockwise to set the oven for one of the following functions.



Oven light


By setting the knob to this position, only the oven light comes on. It remains on in all the cooking modes.



Traditional convection cooking

The upper and lower heating elements come on.

The heat is dispersed by natural convection and the temperature must be set to between 50° and 250°C via the thermostat knob. The oven must be preheated before cooking.

In the  position the rotisserie motor come on for cooking with the rotisserie.

Recommended for:

Food that requires the same degree of cooking both inside and out, for example roasts, spare pork ribs, meringues etc.



Traditional grilling

The infrared electrical resistance comes on.

The heat is diffused by radiation.

Use with the oven door **closed** and the thermostat knob to position 225°C for 15 minutes then to 175°C.

In the  position the rotisserie motor come on for cooking with the rotisserie.

For cooking hints, see the chapter “**USE OF THE GRILL**”.

Recommended for:

Intense grilling, browning, cooking au gratin and toasting etc.

It is recommended that you do not grill for longer than 30 minutes at any one time.

Attention: the oven door becomes very hot during operation.

Keep children away.

Use of the grill

Switch the grill on, setting the two knobs:

- Function selector to  or  position.
- Thermostat selector to position **225°C** for 15 minutes then to **175°C**.

Leave to warm up for approximately 5 minutes with the door **closed**. Place the food inside positioning the rack as near as possible to the grill. Insert the drip pan under the rack to collect the cooking juices.

Grilling with the oven door closed and do not for longer than 30 minutes at any one time.

Attention: the oven door becomes very hot during operation. Keep children away.

Rotisserie

The oven is equipped with a rotisserie.

This device is made up of:

- an electrical motor mounted on the rear part of the oven
- a stainless steel rod, equipped with a detachable athermic grip and 2 recordable forks
- a rod support to be inserted into the central rack holders of the oven.

Use of the rotisserie

- Insert the dripping pan into the lowest rack holders of the oven and insert the rod support into the intermediate rack holders.
- Put the meat to be cooked onto the rod, being careful to secure it in the center with the special forks.
- Insert the rod into the motor opening and rest it onto the support of the spit collar; then remove the grip by turning it to the left.

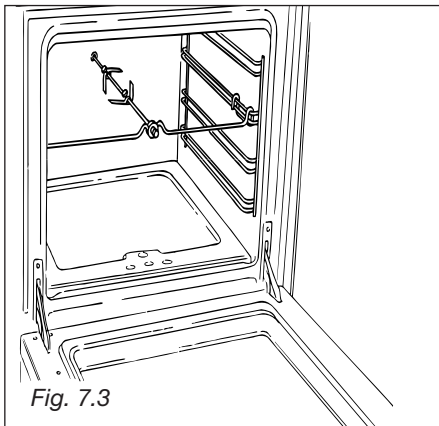


Fig. 7.3

The rotation direction of the rotisserie can be either clockwise or counter-clockwise.

Recommended cooking temperature

Food	°C	°F	Gas Mark	Shelf Position*	Cooking Time (approx)
CAKES					
Victoria sandwich	190	375	5	2 or 3	20-25 mins
Small cakes/buns	190	375	5	1 and 2	15-20 mins
Maidera cake	180	350	4	2 or 3	20 mins
Fruit cake	170	325	3	3	1 ³ / ₄ hours
Rich fruit cake	150	300	2	3 or 4	2 ¹ / ₂ hours
Scones	225	425	8-9	2	8-10 mins
PASTRY					
Puff	225	425	8-9	2	10-20 mins
Short crust	200	400	6	2	20-30 mins
Plate tarts	200-210	400-410	6	1 or 2	30-35 mins
Quiches and flans	200-210	400-410	6	1 or 2	40-45 mins
YEAST					
Bread loaf	225	425	7-8	2	35-55 mins
Bread rolls	220	425	7	1 or 2	15-20 mins
Pizza dough	230	450	8	2	20 mins
ROAST MEAT					
Beef – Medium	190	375	5	2 or 3	20 mins/lb + 20 mins
Lamb	190	375	5	2 or 3	25-30 mins/b + 25 mins
Pork	190-200	375-400	5-7	2 or 3	30 mins/lb + 30 mins
Veal	190	375	5	2 or 3	30 mins/b + 30 mins
Chicken	190	375	5	2 or 3	30 mins/b + 30 mins
Turkey up to 10lb	180	350	4	2 or 3	18-20 mins/b + 20 mins
Stews/casseroles	150-170	300-325	2-3	2 or 3	1 ¹ / ₂ 2 hours

N.B. For fan ovens reduce the temperature by 10-20°C. For any dish taking one hour or over to cook, reduce the cooking time by 10 minutes per hour.

* Shelf positions have been counted from the top of the oven to the base. A fan oven creates more even temperature throughout, therefore the shelf positions are not as critical.

8 - Cleaning and Maintenance

General advice

- When the appliance is not being used, it is advisable to keep the gas tap closed.
- Every now and then check to make sure that the flexible tube that connects the gas line or the gas cylinder to the appliance is in perfect condition and eventually substitute it if it shows signs of wearing or damage.
- The periodical lubrication of the gas taps must be done only by specialized personnel.
- If a tap becomes stiff, do not force; contact your local Service Centre.
- Do not use cleaning products with a chlorine or acidic base.
- **Important:**
the use of suitable protective clothing/gloves is recommended when handling or cleaning of this appliance.

WARNING

When correctly installed, your product meets all safety requirements laid down for this type of product category. However special care should be taken around the rear or the underneath of the appliance as these areas are not designed or intended to be touched and may contain sharp or rough edges, that may cause injury.

IMPORTANT

Before any operation of cleaning and maintenance disconnect the appliance from the electrical network.

Attention

The appliance gets very hot, mainly around the cooking areas. It is very important that children are not left alone in the kitchen when you are cooking.

Do not use a steam cleaner because the moisture can get into the appliance thus make it unsafe.

Enamelled parts

All the enamelled parts must be cleaned with a sponge and soapy water or other non-abrasive products.

Dry preferably with a microfibre or soft cloth.

Acidic substances like lemon juice, tomato sauce, vinegar etc. can damage the enamel if left too long.

Stainless steel, aluminium parts and silk-screen printed surfaces

Clean using an appropriate product. Always dry thoroughly.

IMPORTANT: these parts must be cleaned very carefully to avoid scratching and abrasion. You are advised to use a soft cloth and neutral soap.

CAUTION: Do not use abrasive substances or non-neutral detergents as these will irreparably damage the surface.

Glass control panel

Clean using an appropriate product.

Always dry thoroughly.

Do not use harsh abrasive cleaners or sharp metal scrapers to clean the control panel since they can scratch the surface, which may result in shattering of the glass.

Replacing the oven light bulb

Switch the cooker off at the mains.

When the oven is cool unscrew and replace the bulb with another one resistant to high temperatures (300°C), voltage 230 V (50 Hz), E14 and same power (check watt power as stamped in the bulb itself) of the replaced bulb.

Note: Oven bulb replacement is not covered by your guarantee.

Gas tap

If a tap becomes stiff, do not force; contact your local Service Centre.

Flexible tube

From time to time, check the flexible tube connecting the gas supply to the cooker. It must be always in perfect condition; in case of damage arrange for it to be replaced by a suitably qualified and registered person.

Burners

They can be removed and washed with soapy water only.

They will remain always perfect if cleaned with products used for silverware.

After cleaning or wash, check that burner-caps and burner-heads are dry before placing them in the **respective housings**.

Note: To avoid damage to the electric ignition do not use it when the burners are not in place.

Correct replacement of the burners

It is very important to check that the burner flame distributor **F** and the cap **C** has been correctly positioned (see fig. 8.1-8.2) - failure to do so can cause a poor burner flame and/or damage to the burner and hob.

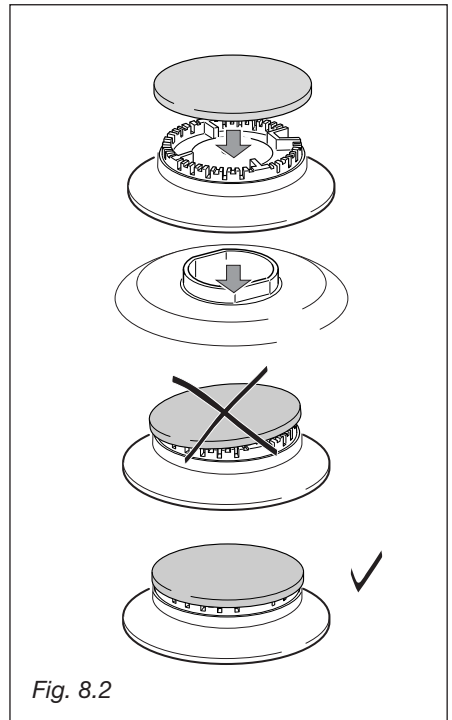
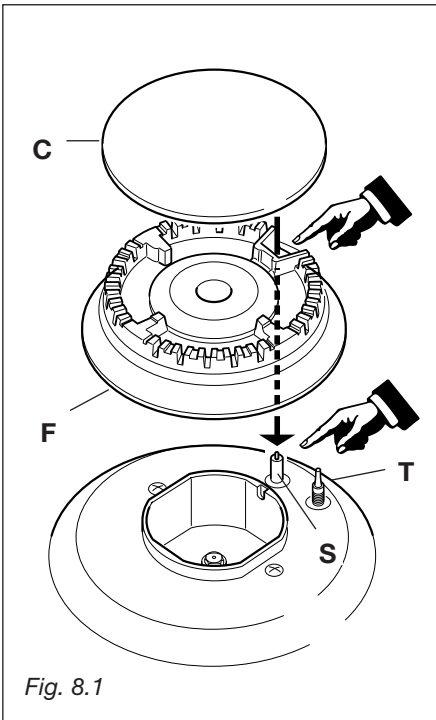
Check that the electrode **S** (figs. 8.1, 8.3 and 8.6) is always clean to ensure trouble-free sparking.

Check that the probe **T** (figs. 8.1, 8.3 and 8.6) next to each burner is always clean to ensure correct operation of the safety valves.

Both the probe and ignition plug must be very carefully cleaned.

The burners become very hot during operation.

Keep children away.

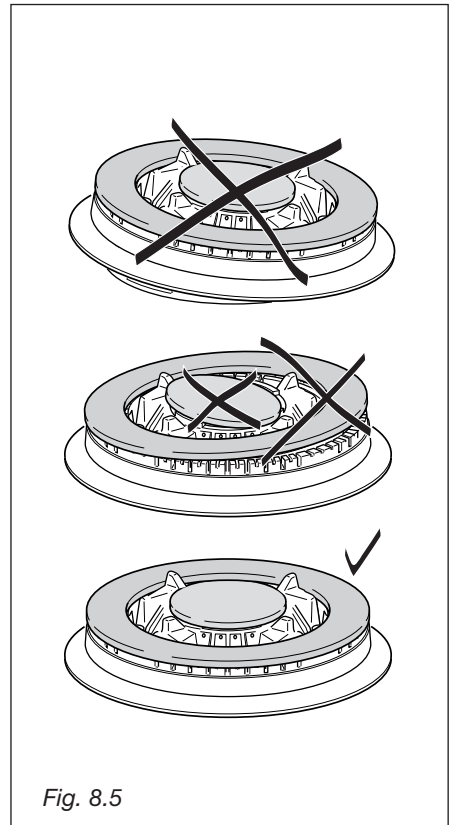
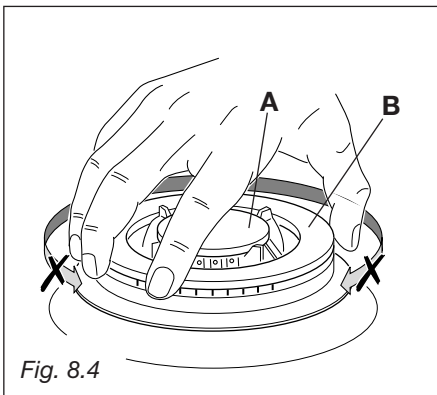
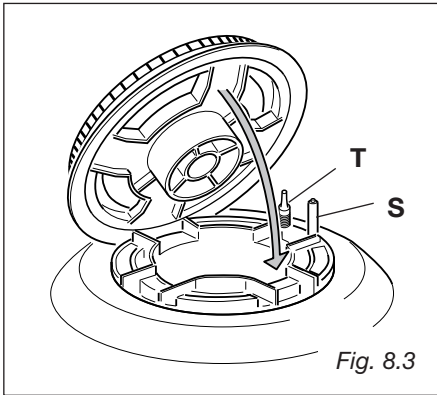


Triple ring burners

The triple ring burner must be correctly positioned (see fig. 8.5); the burner rib must enter in their logement as shown by the arrow see fig. 8.3).

Then position the cap **A** and the ring **B** (fig. 8.4 - 8.5).

The burner correctly positioned must not rotate (fig. 8.4).



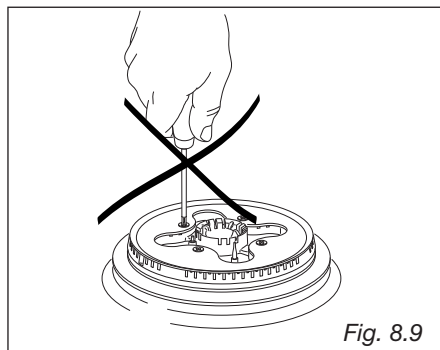
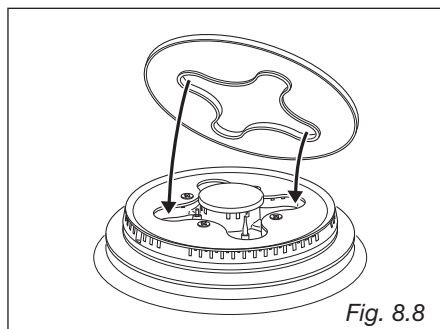
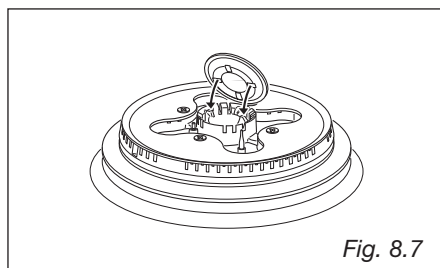
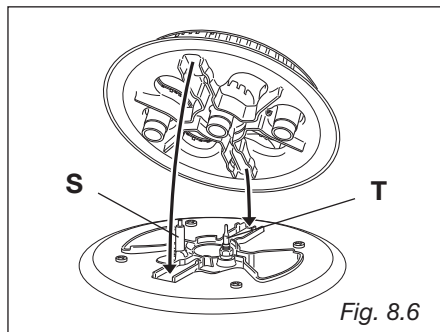
Correct position of dual burners

The DUAL burner must be correctly positioned (see fig. 8.6); the burner rib must be fitted as shown by the arrows.

Position the central small cap in its housing as shown by the arrows (fig. 8.7).

Position the big cap in its housing as shown by the arrows (fig. 8.8).

IMPORTANT: NEVER unscrew the burner screws (fig. 8.9).



Inside of ovens

The oven should always be cleaned after use when it has cooled down.

The cavity should be cleaned using a mild detergent solution and warm water. Suitable proprietary chemical cleaners may be used after first consulting with the manufacturers recommendations and testing a small sample of the oven cavity.

Abrasive cleaning agents or scouring pads/cloths should not be used on the cavity surface.

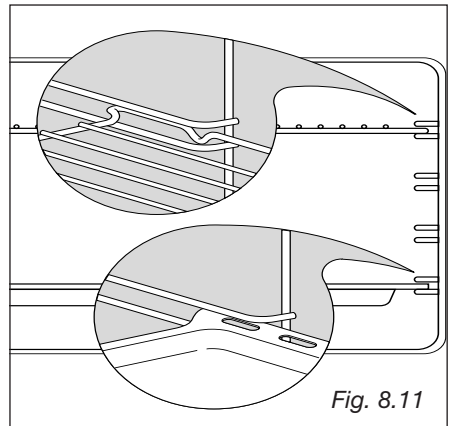
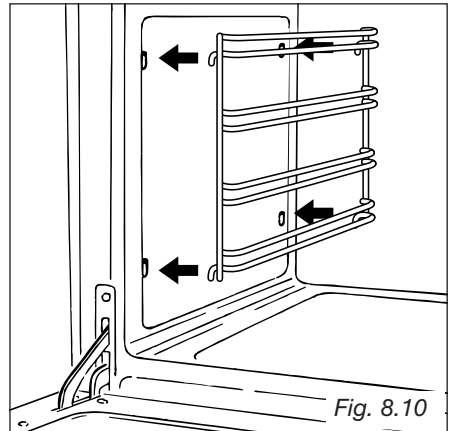
- **NOTE:** The manufacturers of this appliance will accept no responsibility for damage caused by chemical or abrasive cleaning.

Attention: Do not store flammable material in the ovens.

Let the oven cool down and pay special attention no to touch the hot heating elements inside the oven cavity.

Assembly and dismantling of the side runner frames

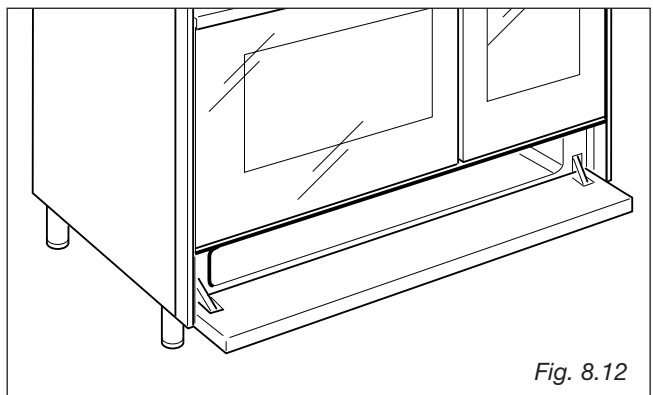
- Fit the side runner frames into the holes on the side walls inside the oven (Fig. 8.10).
- Slide the tray and rack into the runners (Fig. 8.11).
- The rack must be fitted so that the safety catch, which stops it sliding out, faces the inside of the oven.
- To dismantle, operate in reverse order.



Storage compartment

The storage compartment is accessible through the pivoting panel (fig. 8.12).

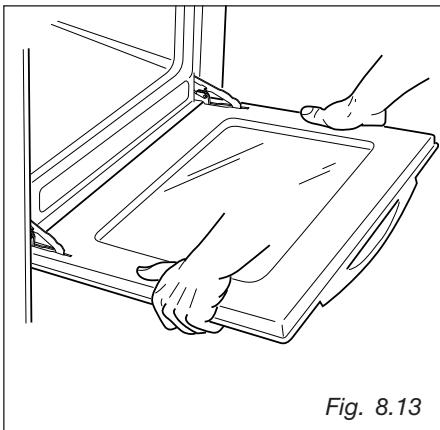
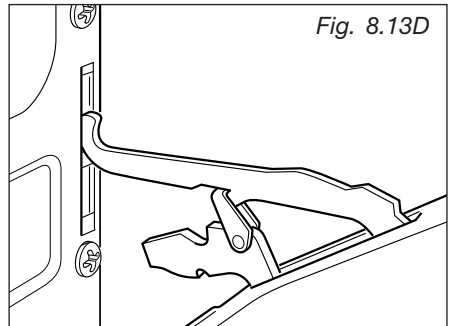
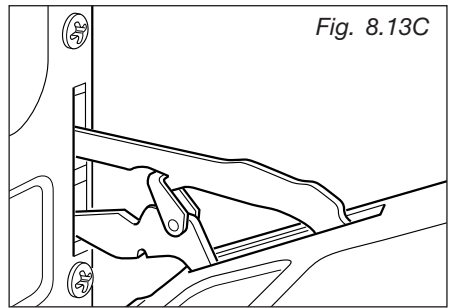
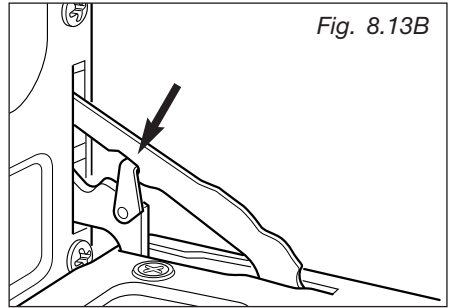
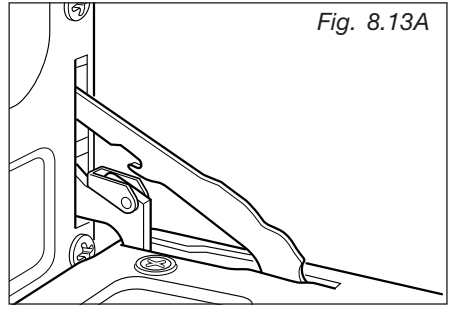
Do not store flammable material in the ovens or in the storage compartment.



Removing the oven doors

The oven door can easily be removed as follows:

- Open the door to the full extent (fig. 8.13A).
- Attach the retaining rings to the hooks on the left and right hinges (fig. 8.13B).
- Hold the door as shown in fig. 8.13.
- Gently close the door and withdraw the lower hinge pins from their location (fig. 8.13C).
- Withdraw the upper hinge pins from their location (fig. 8.13D).
- Rest the door on a soft surface.
- To replace the door, repeat the above steps in reverse order.



Oven doors - removing the inner pane of glass

The inner pane of glass can easily be removed for cleaning.

Removing the inner pane

- Open the door to the full extent.
- Attach the retaining rings to the hooks on the left and right hinges (fig. 8.13B).
- Gently pull out the inner pane of glass (fig. 8.14a).
- Clean the glass with an appropriate cleaner.
- Dry thoroughly, and place the pane on a soft surface.
- Now you can also clean the inside of the outer glass.

Do not use harsh abrasive cleaners or sharp metal scrapers to clean the panes of glass since they can scratch the surface, which may result in shattering of the glass.

Reassembling the inner pane

- Make sure the door is locked open (see fig. 8.13B).
- Check the correct positioning of the no.4 (four) silicon rubbers **D** (fig. 8.14b).
- Check that you are holding the pane the correct way. You should be able to read the wording on it as it faces you.
- Insert the inner pane in the left **E** and right **F** side guides (fig. 8.14c) and gently let it slide up to the retainers **H** (fig. 8.14d).
- Unlock the oven door by detaching the retaining rings from the hooks on the left and right hinges (fig. 8.13B). Close the door.

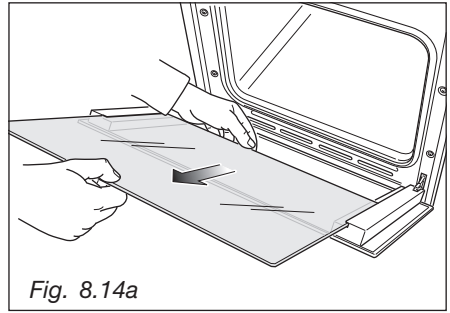


Fig. 8.14a

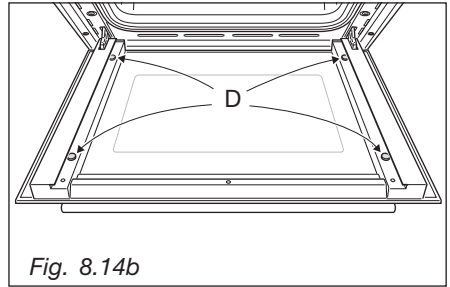


Fig. 8.14b

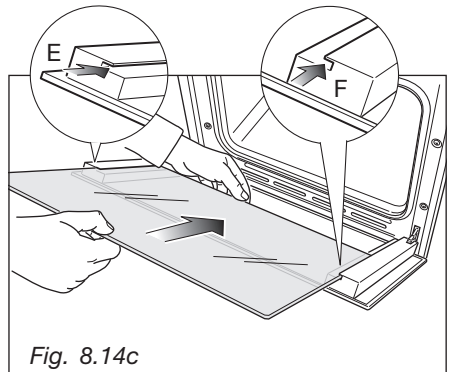
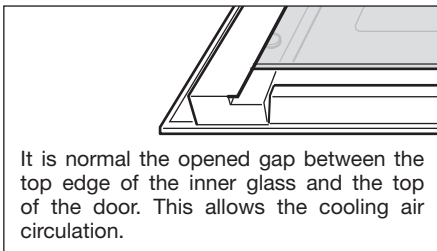


Fig. 8.14c



It is normal the opened gap between the top edge of the inner glass and the top of the door. This allows the cooling air circulation.

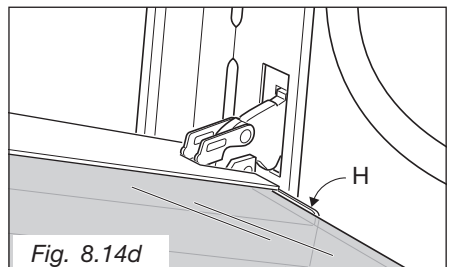


Fig. 8.14d

Helpful Advice

Trouble shooting

Problem

Food too brown but not cooked.

Remedy

Turn down the oven temperature slightly and cook a little longer

Problem

Food cooked but not brown enough.

Remedy

Increase temperature.

Problem

Food baking unevenly.

Remedy

1. The temperature may be slightly high turn it down
2. Position the food in the centre of the shelves rather than towards the sides of the oven.
3. Rotate the food a half turn in the oven.
4. Try pre-heating the oven for 5-15 minutes prior to baking.

Always remove cooked items as soon as they are ready and continue cooking the under-cooked items until they are completely finished.

Changing the Oven Cavity Light Bulb.

If the oven light falls:

1. Turn off the oven by switching the oven selector to "O", switch off at the cooker point.
2. When the oven is cool, reach back and upwards inside the oven, the bulb is in the top corner.
3. Unscrew the light glass cover, replace the bulb with a new one of the same specification and screw the cover back until it is hand tight.

NOTE: Oven bulb replacement is not covered by your guarantee.

Other bulbs cannot be changed by yourself and should be replaced by an authorised CAPLE Service Engineer. Bulbs other than the oven bulb are covered by the guarantee.

IMPORTANT: Cooker get hot. Keep children away from this appliance at all times.

If Your Oven Does Not Work

Before calling a CAPLE service engineer run through the following checklist.

1. The cooker is connected to the power supply and that the fuse is intact.
2. Make sure the timer control (main oven only) is set to the manual position, and that the oven has not been set inadvertently for an automatic or timed programme.

If you are in any doubt about carrying out these checks, call the **CAPLE Helpline**.

Please check contact details at **www.caple.co.uk**.

A charge will be made if the appliance is found to be in working order, or if it has not been installed in accordance with these instructions, or if it has been used incorrectly.

CAPLE “Built-in” Service

Should you require service at any time, please contact the **Caple Helpline**. Please check contact details at **www.caple.co.uk**.

Caple have a nationwide service network of engineers who will respond quickly to your call.

Always replace spare parts with genuine **Caple** spares. These are available from authorised **Caple Service Centres** or by mail order (please check contact details at **www.caple.co.uk**).

When ordering parts always quote the model number and serial number of your appliance.

YOUR GUARANTEE

CAPLE guarantees all parts of this product for one year from the date of purchase. During that time, should it become necessary CAPLE engineers will replace or repair all defective parts free of charge, except for parts subject to fair wear and tear, such as lightbulbs.

Parts and the engineers labour costs are chargeable after the first 12 months.

To qualify for benefits under the guarantee, you must be able to provide proof of date of purchase and the appliance must have been supplied, installed and used for domestic purposes only in accordance with CAPLE instructions.

Consequential losses and accidental damage to the product are not covered by the guarantee.

This guarantee does not affect your statutory or common law rights.

CAPLE cannot be responsible for the results of using this appliance for any other purposes other than those described in these instructions.