



CR1200

Caple 1000 Range 2 Cavity

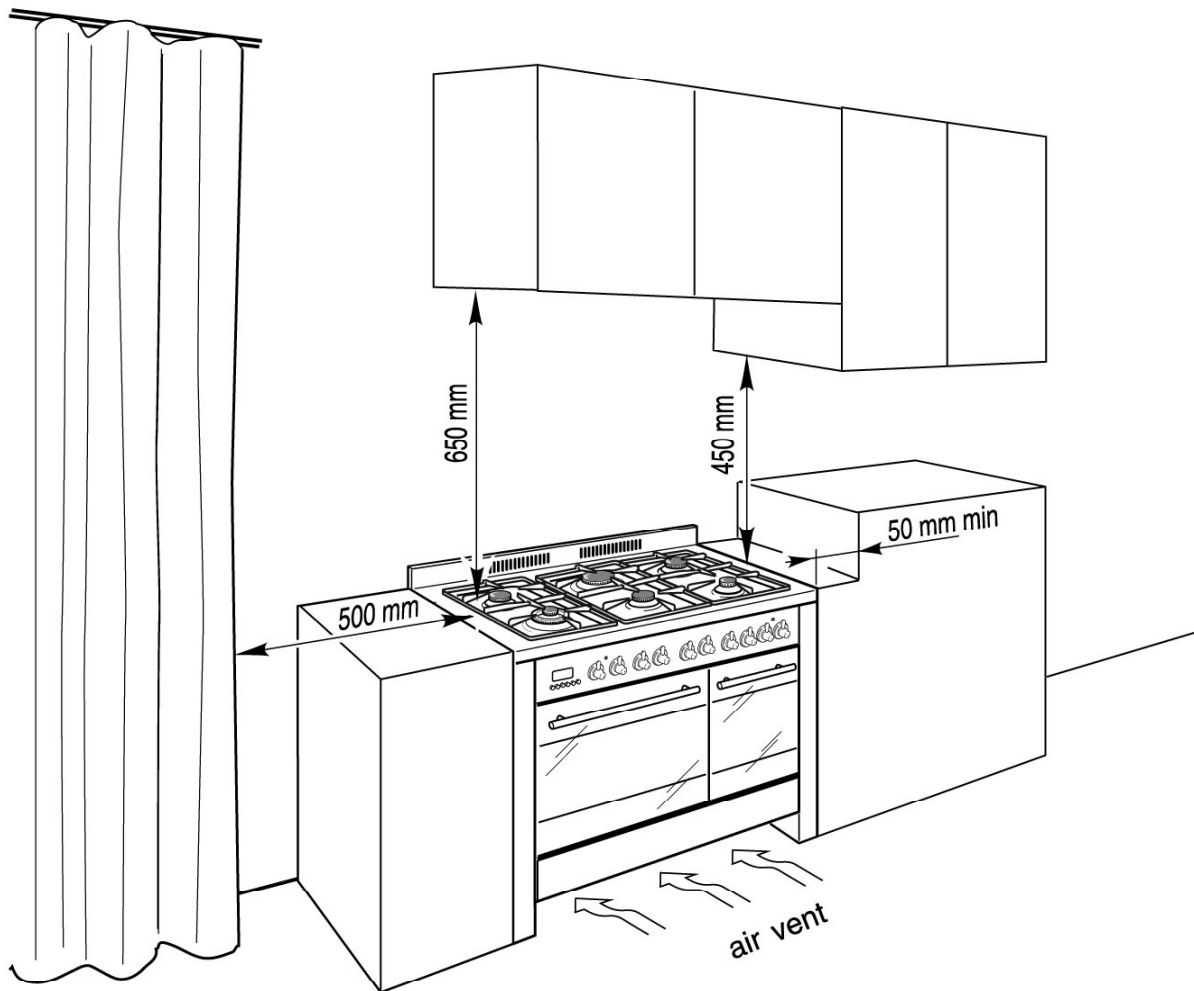


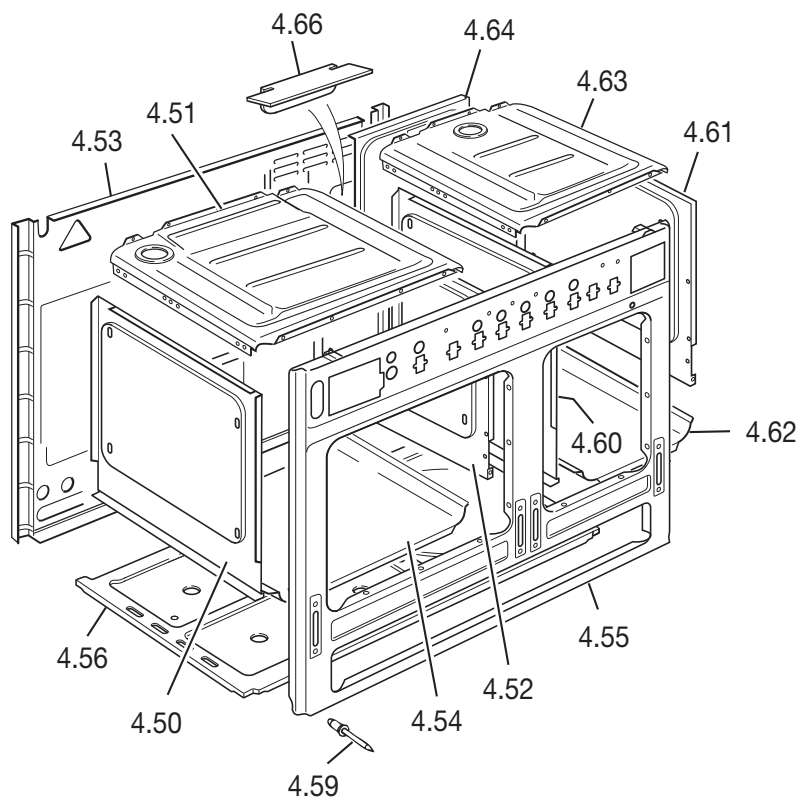
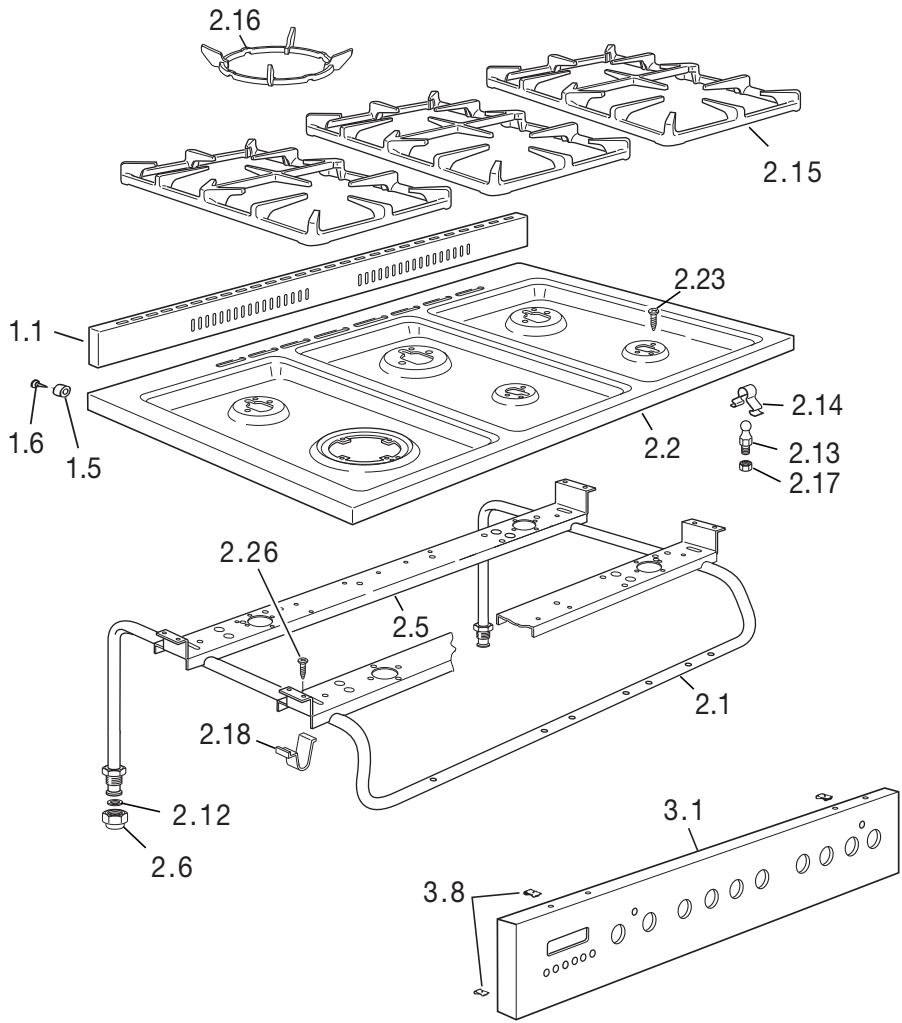
TECHNICAL INFORMATION



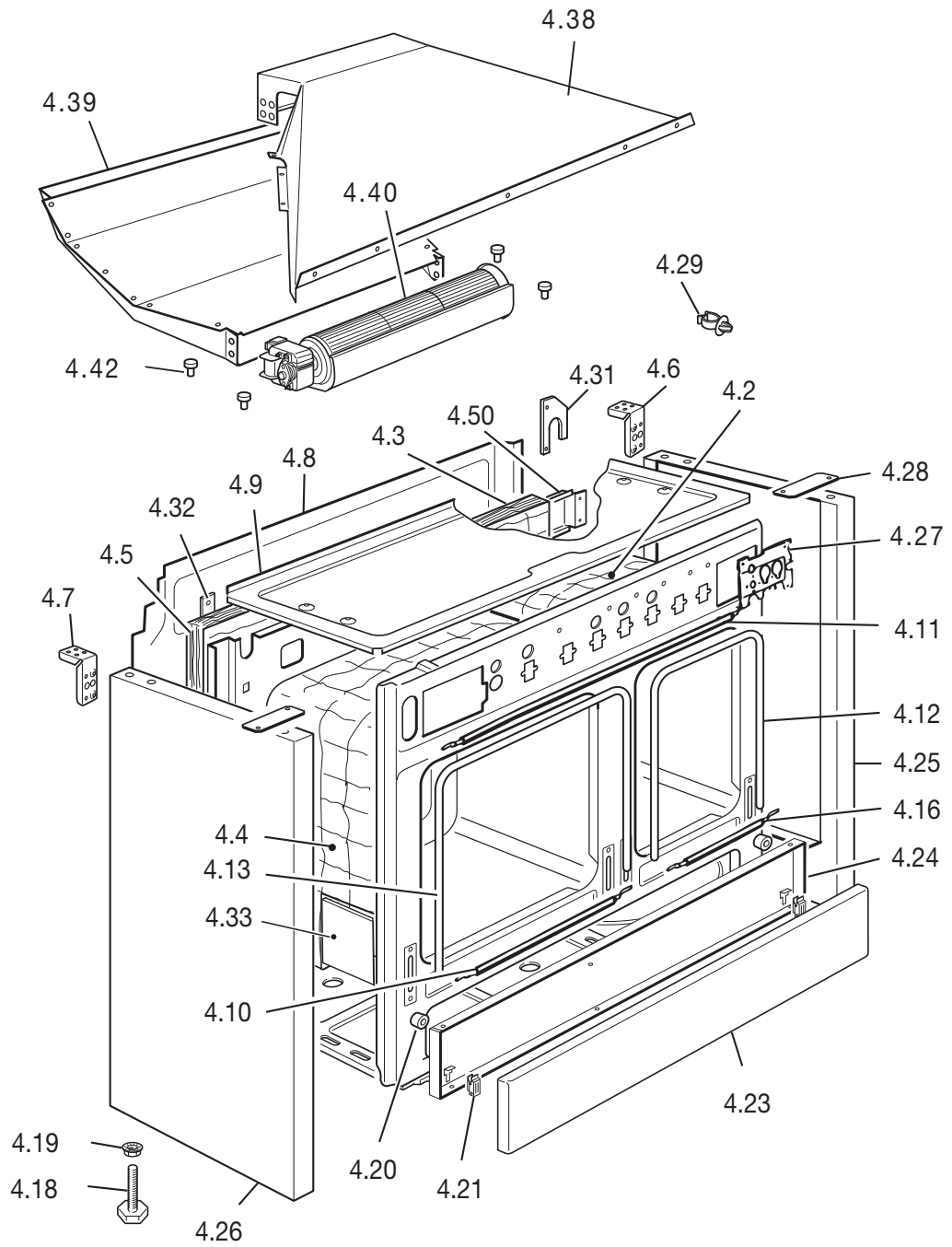
CR1200

Caple 1000 Range 2 Cavity

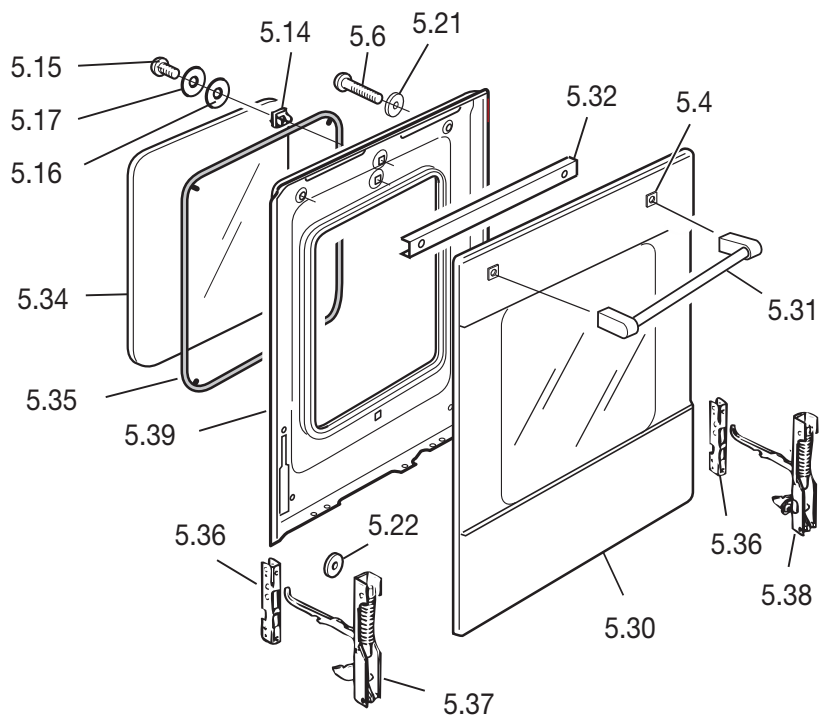
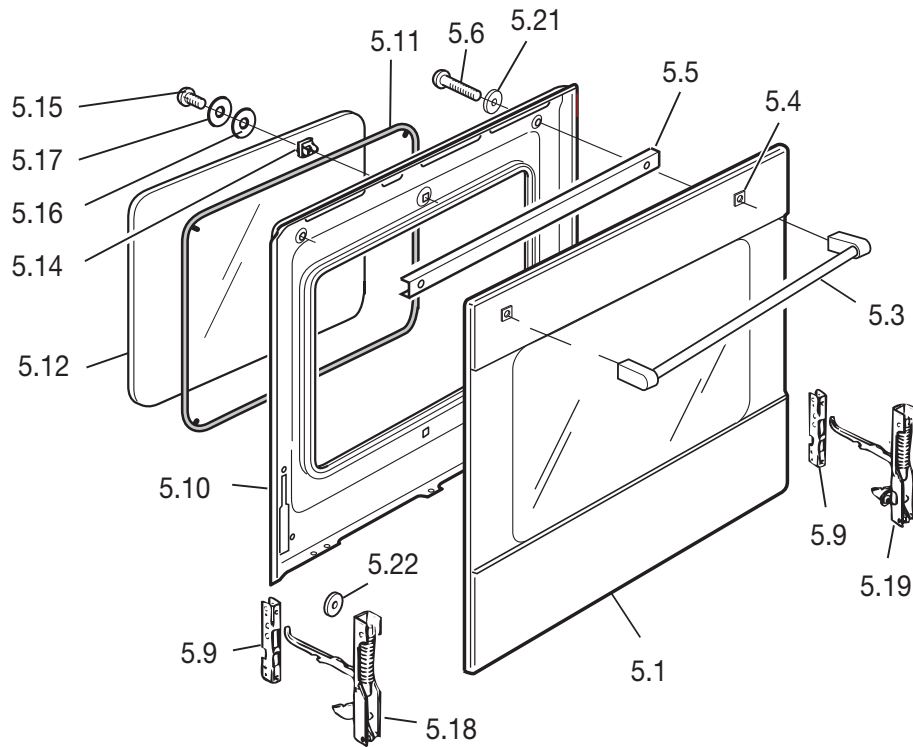




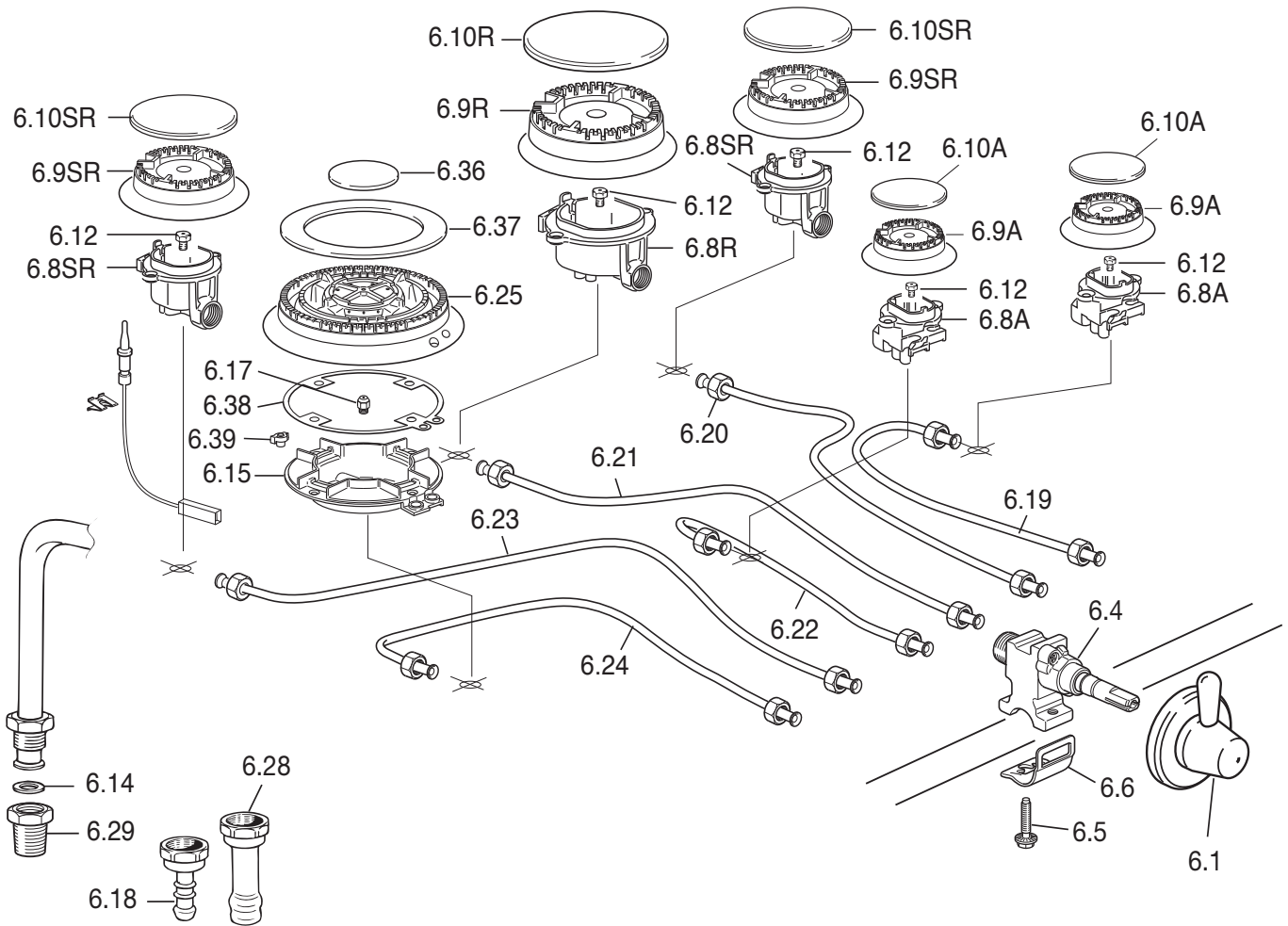
Ref.	Part description	Product code	
		C1T0CP005X	
		Feature	Part code
1.1	Rear trim		103670063
1.5	Plug		040041001
1.6	Stainless steel screw		001007
2.1	Manifold		3421060001
2.2	Cooktop		33110601S
2.5	Burners support		51B1002
2.6	Inlet pipe plug		027015
2.12	Gasket		053024.1
2.13	Pin		103615
2.14	Spring		035100
2.15	Pan-support		217530
2.16	Wok grid		217498
2.17	Nut		214062
2.18	Fixing plate		094473
2.23	Screw		001234.1
2.26	Screw		001167
3.1	Control panel		35C1006UC1
3.8	Clips		213007
4.50	Oven side panel (Left)		45EN6106K
4.51	Top oven panel		45EN6101K
4.52	Oven side panel (Right)		45EN6107K
4.53	Body rear panel		45H9S001K
4.54	Oven floor		47E6102K
4.55	Body front panel		45B9S001K
4.56	Lower element cover		45K96001Z
4.59	Rivet		211012
4.60	Oven side panel (Left)		45E65104K
4.61	Oven side panel (Right)		45E65105K
4.62	Oven floor		47E9S001K
4.63	Top oven panel		45E9T001K
4.64	Body rear panel		45H9T001K
4.66	Right oven lower rear panel		4219S03Z
	Right oven shelter		4219S02Z



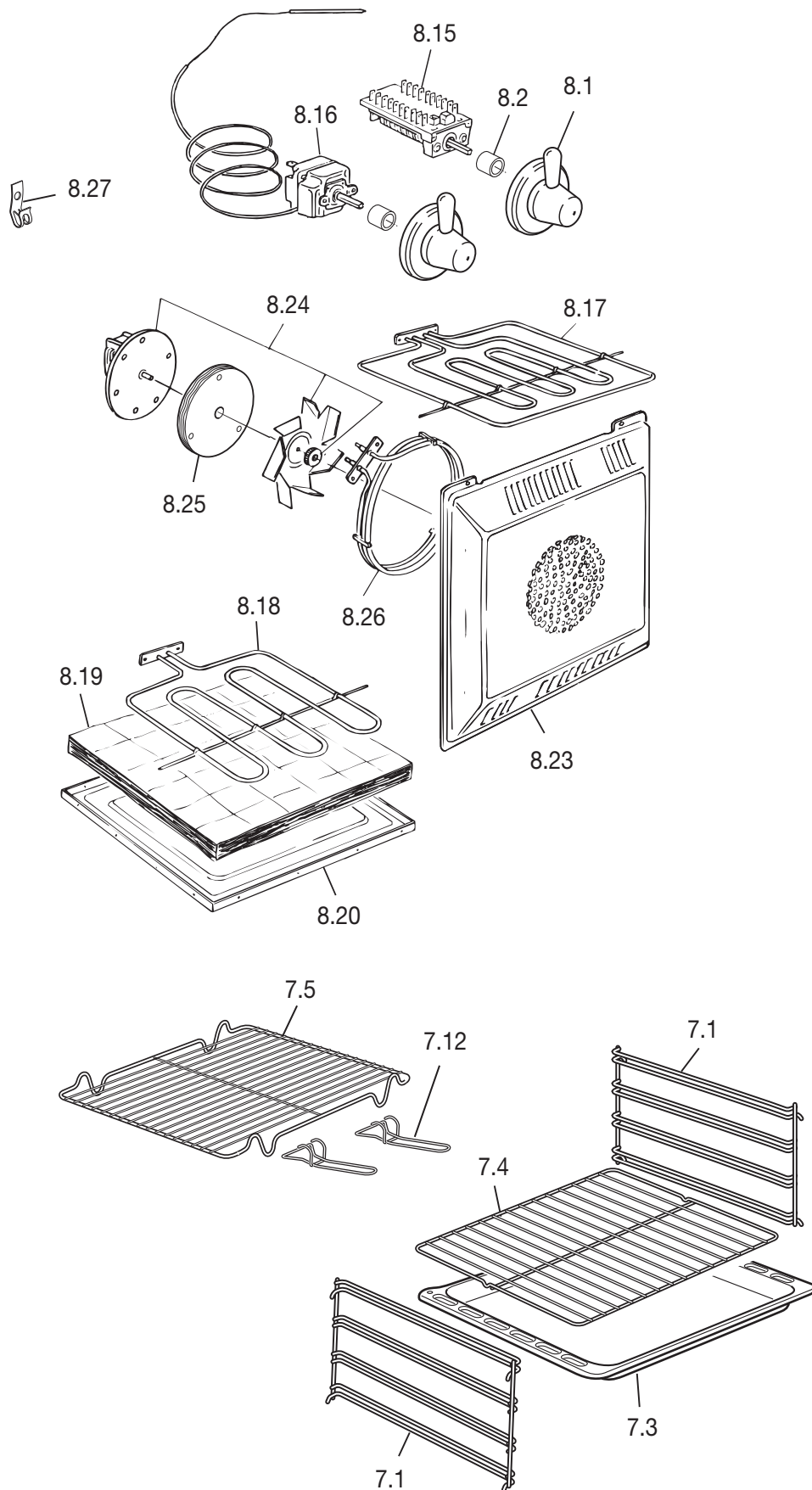
Ref.	Part description	Product code	
		C1T0CP005X	
		Feature	Part code
4.2	Oven insulation		030127.1
4.3	Rear insulation		030128.1
4.4	Oven insulation		030135.1
4.5	Rear insulation		030098.1
4.6	Rear right coupler		094417DX
4.7	Rear left coupler		094417SX
4.8	Rear panel		4119S01
4.9	Upper shelter		4219S01Z
4.10	Top/bottom seal		053074
4.11	Top seal		053095
4.12	Seal		053093
4.13	Seal		053039
4.16	Bottom seal		053094
4.18	Shim		103410080
4.19	Nut shim		214056
4.20	Buffer front left/front right		040061
4.21	Door panel hinge		063075
4.23	Front panel		371V969UCP
4.24	Inside panel		373V9601M
4.25	Side panel right		3611TD1S
4.26	Side panel left		3611TS1S
4.27	Bracket		094136
4.28	Side panel bracket		094646
4.29	Tube retainer		531533
4.31	Bracket		094419
4.32	Rear insulation support		4219604Z
4.33	Hinge protection		58BN601
4.38	Air conveyor		46A9S02Z
4.39	Funnel		46A9S01Z
4.40	Tangential fan		079025
4.42	Vibration-damper buffer		040056
4.50	Rear insulation support		51B9S03



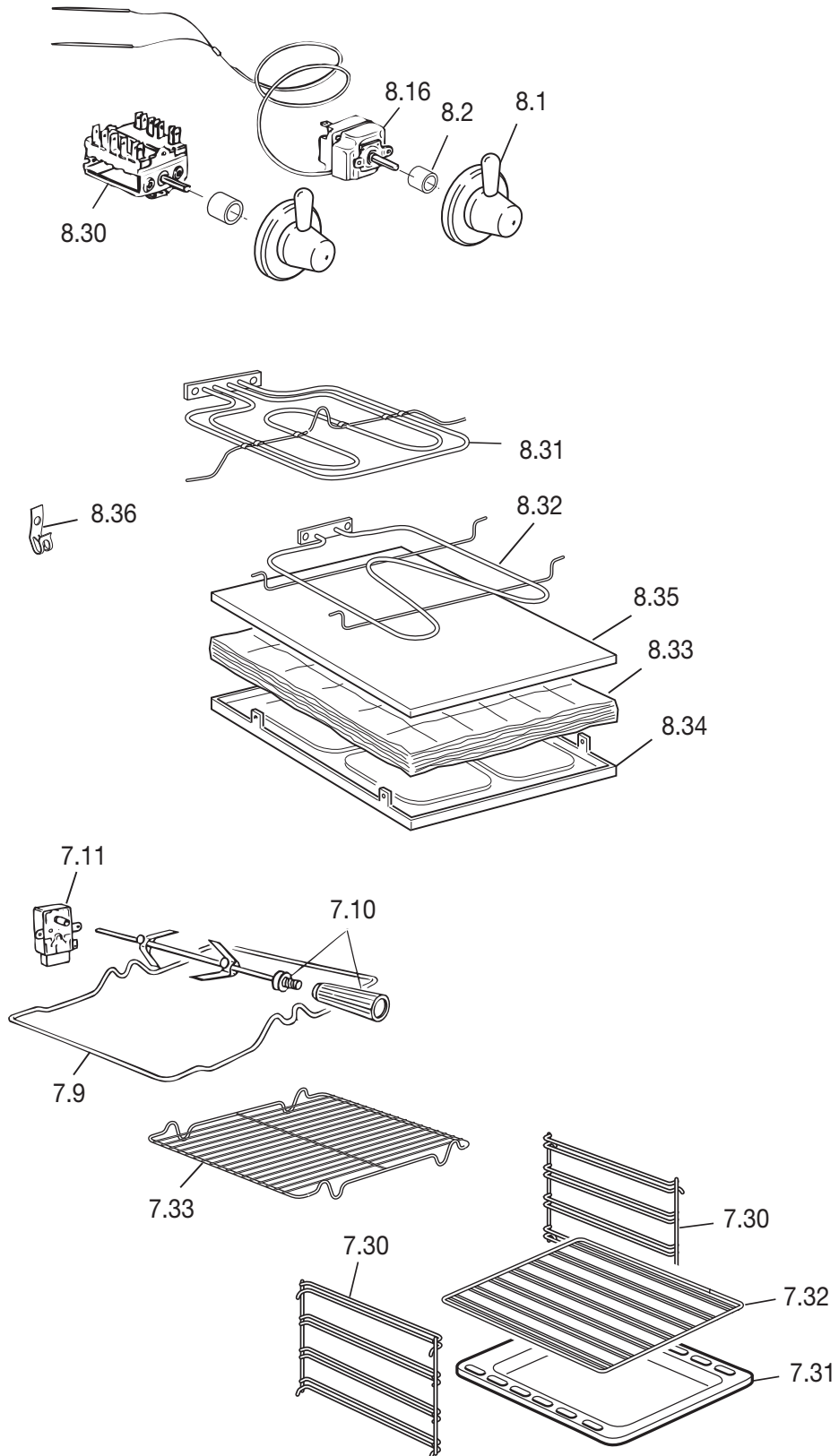
Ref.	Part description	Product code	
		C1T0CP005X	
		Feature	Part code
5.1	Door glass		032912196A
5.3	Door handle		037215062
5.4	Washer		103686.1
5.5	Fixing bar		51B9102
5.6	Screw		001056
5.9	Door hinge (female)		063109
5.10	Door panel		373F9104K
5.11	Gasket		053084
5.12	Inner glass		0311000.1T
5.14	Nut		214021
5.15	Screw		001143
5.16	Washer		003035
5.17	Washer		103205
5.18	Left door hinge (male)		063059/ZA
5.19	Right door hinge (male)		063058/ZA
5.21	Washer		003030
5.22	Washer R5,7x15		003041
5.30	Door glass		0329T2197A
5.31	Door handle		037216062
5.32	Fixing bar		51B9S04
5.34	Inner glass		0312159T
5.35	Gasket		053096
5.36	Door hinge (female)		063109
5.37	Left door hinge (male)		063111
5.38	Right door hinge (male)		063110
5.39	Door panel		373F9S01K



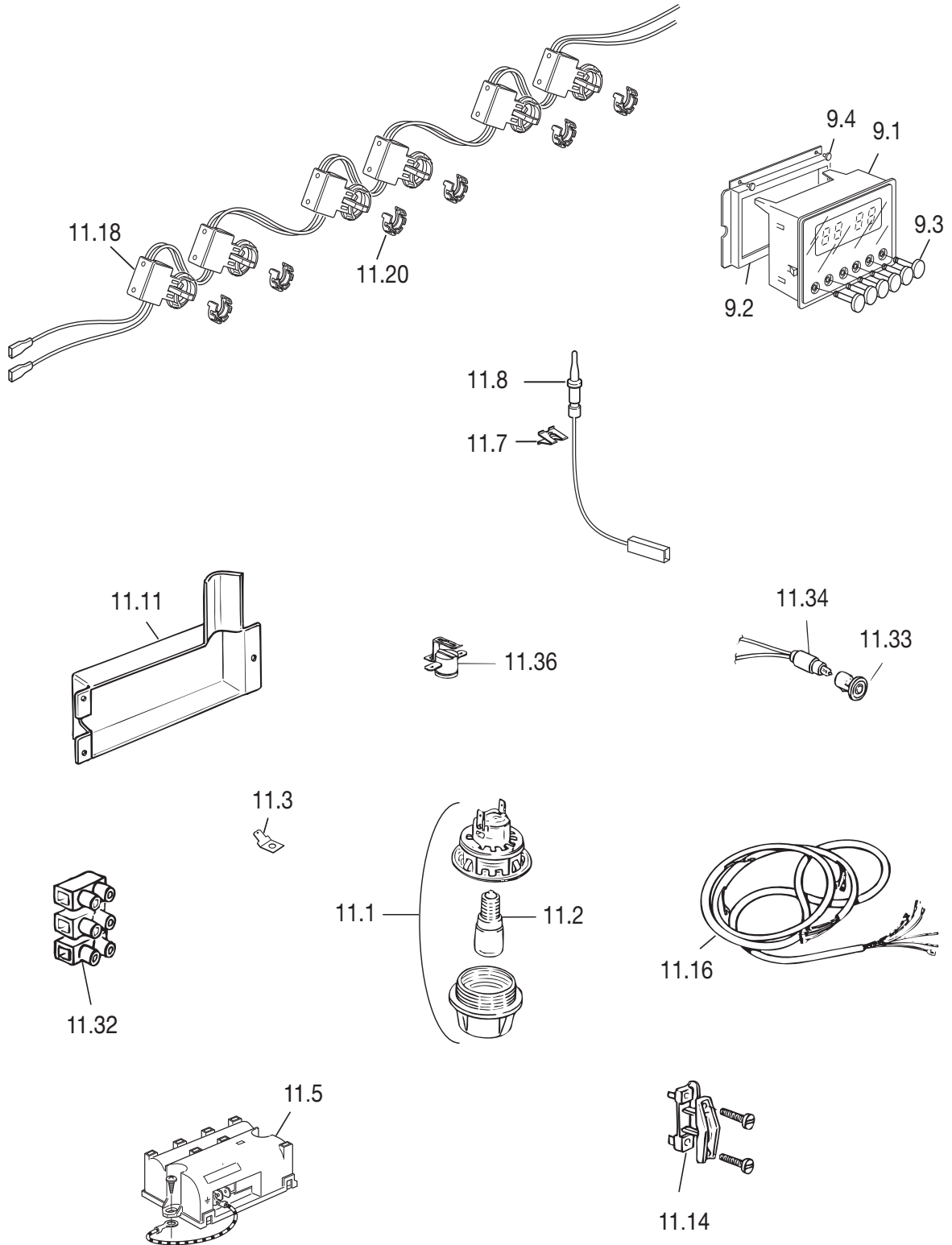
Ref.	Part description	Product code	
		C1T0CP005X	
		Feature	Part code
6.1	Burner knob		2185002340
6.4	Tap	Ø 0.28	106266
		Ø 0.33	106267
		Ø 0.43	106268
		Ø 0.63	106269
6.5	Tap fixing screw		001282
6.6	Tap bracket		094653
6.8A	Burner-cup	A	215465
6.8SR	Burner-cup	SR	215466
6.8R	Burner-cup	R	215467
6.9R	Burner head	R	068111001
6.9SR	Burner head	SR	068110001
6.9A	Burner head	A	068109001
6.10A	Burner-cap	A	216129005A
6.10SR	Burner-cap	SR	216130005A
6.10R	Burner-cap	R	216131005A
6.12	Injector	Ø 0.72 - G20	101234
		Ø 0.97 - G20	101235
		Ø 1.15 - G20	101236
		Ø 0.50 - G30	101180
		Ø 0.65 - G30	101181
		Ø 0.85 - G30	101182
6.14	Elbow gasket		053024.1
6.15	Burner-cup	TR	215469
6.17	Injector	Ø 1.35 - G20	101237
		Ø 0.95 - G30	101233
6.18	LPG connection		027014
6.19	Inlet pipe - front right	A	029641
6.20	Inlet pipe - rear right	SR	029640
6.21	Inlet pipe - rear central	R	029639
6.22	Inlet pipe - front central	A	029638
6.23	Inlet pipe - rear left	SR	029637
6.24	Inlet pipe - front left	TR	029636
6.25	Burner head	TR	068112001
6.28	Natural gas connection		027013
6.29	Connection		067026
6.36	Burner-cap inside	TR	216132005A
6.37	Burner-cap outside	TR	216133005A
6.38	Burner-cup gasket		053078
6.39	Stopper		040064



Ref.	Part description	Product code	
		C1T0CP005X	
		Feature	Part code
8.1	Oven knob		2185002294
8.2	Knob sleeve		085081
8.15	Oven switch		050028.1
8.16	Oven thermostat		066072
8.17	Top + grill element	230V	062103004
8.18	Bottom element	230V	062066004
8.19	Bottom element insulation		030083.1
8.20	Bottom insulation support		4216102Z
8.23	Fan diffuser		47AN604K
8.24	Fan motor		079008001F
8.25	Fan motor insulation		030136.1
8.26	Fan element	230 V	062057004
8.27	Clips		213015
			213023
7.1	Shelf support		217291
7.3	Oven tray		48B6101K
7.4	Oven shelf		217220
7.5	Grill-pan grid		217397
7.12	Grill-pan grid handle		037144

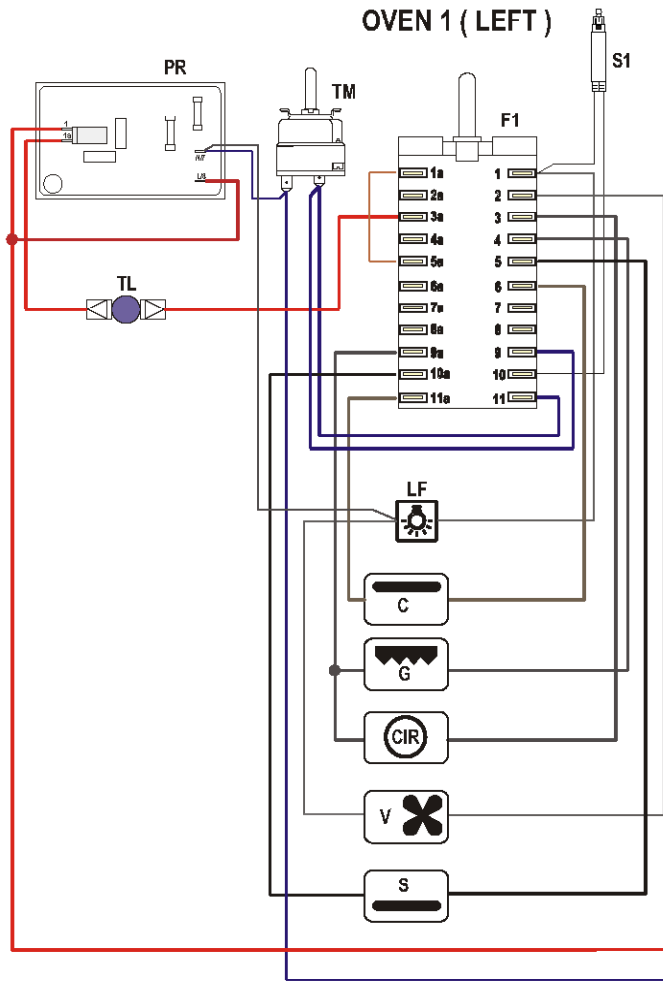


Ref.	Part description	Product code	
		C1T0CP005X	
		Feature	Part code
8.1	Oven knob		2185002294
8.2	Knob sleeve		085081
8.16	Oven thermostat		066072
8.30	Oven switch		050030
8.31	Top + grill element		062102004
8.32	Bottom element	230V	062096004
8.33	Bottom element insulation	230V	030129.1
8.34	Bottom element support		4219S04Z
8.35	Bottom element protection		4219S05Z
8.36	Clip		213025
7.9	Rotisserie support		217539
7.10	Rotisserie spear		080025+037012
7.11	Rotisserie motor		079014
7.30	Shelf support		217307
7.31	Oven tray		48B9S001K
7.32	Oven shelf		217542
7.33	Grill-pan grid		217537



Ref.	Part description	Product code	
		C1T0CP005X	
		Feature	Part code
9.1	Electronic timer		074041
9.2	Electronic timer seal		094363
9.3	Button (Black)		103271080
9.4	Protection		040056
11.1	Lamp holder		072003
11.2	Lamp - 15 W		073013001
11.3	Earth plate		094221
11.5	6 burners ignition coil		082048.1
11.7	Igniter spring		035094
11.8	Igniter	L = 630	084029
		TR - L = 900	084035
		L = 900	084036
11.11	Terminal block protection		103230.1A
11.14	Wire fastener		052008
11.16	Wiring		1131313
11.18	Ignition switches		1031236
11.20	Retaining ring		003077
11.32	Terminal block	25A - 3P	051049
11.33	Control lamp cover - Red		07306202.2
11.34	Control lamp	L = 200	073039.2
11.36	Cut-off thermostat	160°	066123
		150°	066073
		80°	066145
-	LPG gas conversion kit		6109S60001
-	Instruction booklet		1102226

OVEN 1 (LEFT)



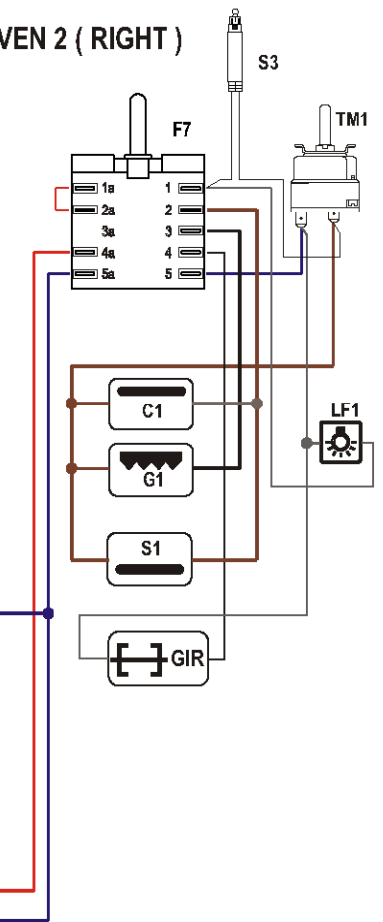
Oven switch diagram (LEFT)

POSITION 0	0	1	2	3	4	5	6	7	8	9	10	11
FUNCTION 1 40° ← Oven light	15	20	25	30	35	40	45	50	55	60	65	70
FUNCTION 2 30° ← Traditional convection cooking	15	20	25	30	35	40	45	50	55	60	65	70
FUNCTION 3 120° ← Grilling	15	20	25	30	35	40	45	50	55	60	65	70
FUNCTION 4 150° ← Defrosting frozen foods	15	20	25	30	35	40	45	50	55	60	65	70
FUNCTION 5 200° ← Hot air cooking	15	20	25	30	35	40	45	50	55	60	65	70
FUNCTION 6 240° ← Ventilated grill cooking	15	20	25	30	35	40	45	50	55	60	65	70
FUNCTION 7 280° ← Maintaining temperature after cooking or slowly heating foods	15	20	25	30	35	40	45	50	55	60	65	70
FUNCTION 8 320° ← Convection cooking with ventilation	15	20	25	30	35	40	45	50	55	60	65	70

OVEN 2 (RIGHT)

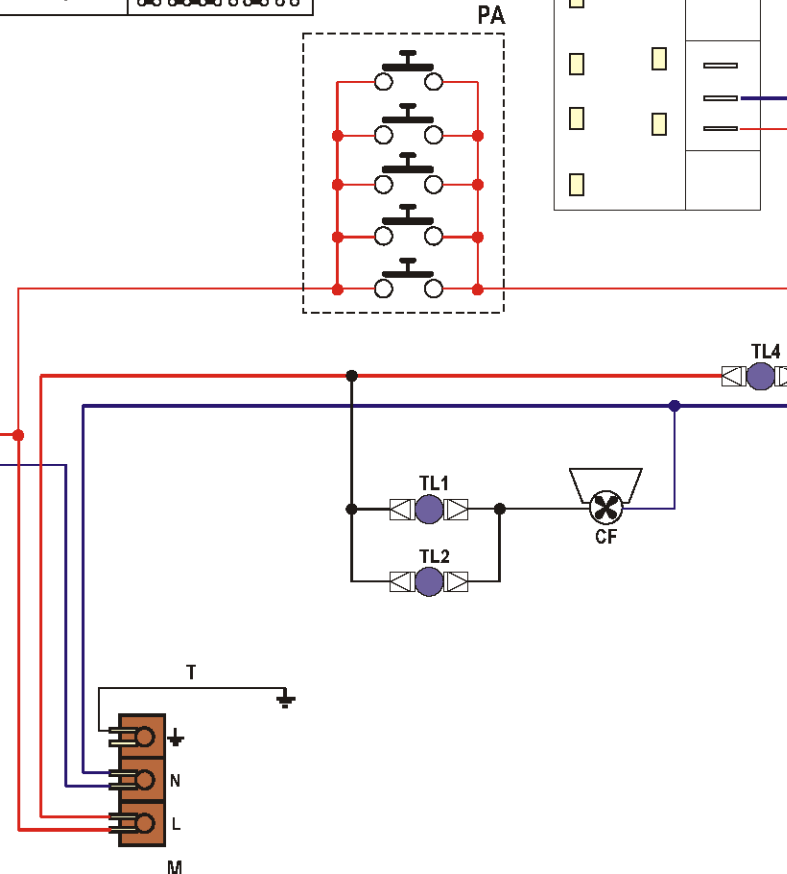
Oven switch diagram (RIGHT)

POSITION 0	1	2	3	4	5
FUNCTION 1 Oven light	1a	2a	3a	4a	5a
FUNCTION 2 Traditional convection cooking	1a	2a	3a	4a	5a
FUNCTION 3 Convection cooking with rotisserie	1a	2a	3a	4a	5a
FUNCTION 4 Grill cooking with rotisserie	1a	2a	3a	4a	5a
FUNCTION 5 Grilling	1a	2a	3a	4a	5a



ELECTRIC DIAGRAM KEY

- | | | | |
|-------|-------------------------|-----|------------------|
| A | Ignition coil | G | Grill element |
| PA | Ignition switches | CIR | Circular element |
| TL1/2 | Cooling fan thermostats | V | Fan |
| CF | Cooling fan | S | Bottom element |
| M | Terminal block | | |
| T | Hearth plant | | |
-
- | RIGHT OVEN | |
|------------|-----------------------|
| F7 | Oven switch |
| TM1 | Oven Thermostat |
| TL4 | Thermal overload |
| S3 | Thermostat pilot lamp |
| LF1 | Oven Lamp |
| G1 | Grill element |
| S1 | Bottom element |
| GIR | Rotisserie |
-
- | LEFT OVEN | |
|-----------|-----------------------|
| F1 | Oven switch |
| TM | Oven thermostat |
| PR | Programmer |
| TL | Thermal overload |
| LF | Oven Lamp |
| S1 | Thermostat pilot lamp |
| C | Top element |



caple
CR1200
Caple 1000 Range 2 Cavity