



CR1200

Caple 1000 Range 2 Cavity

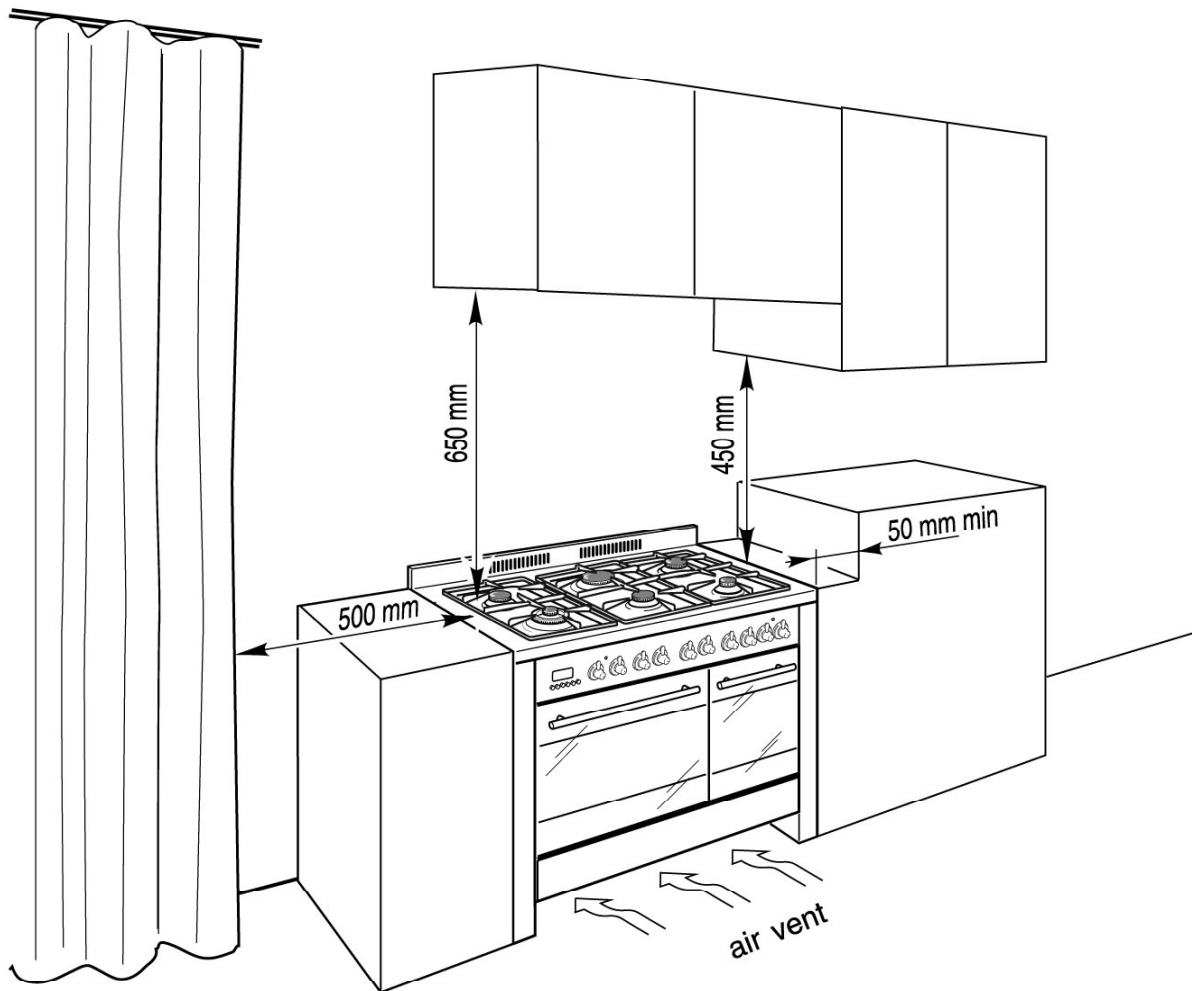


TECHNICAL INFORMATION



CR1200

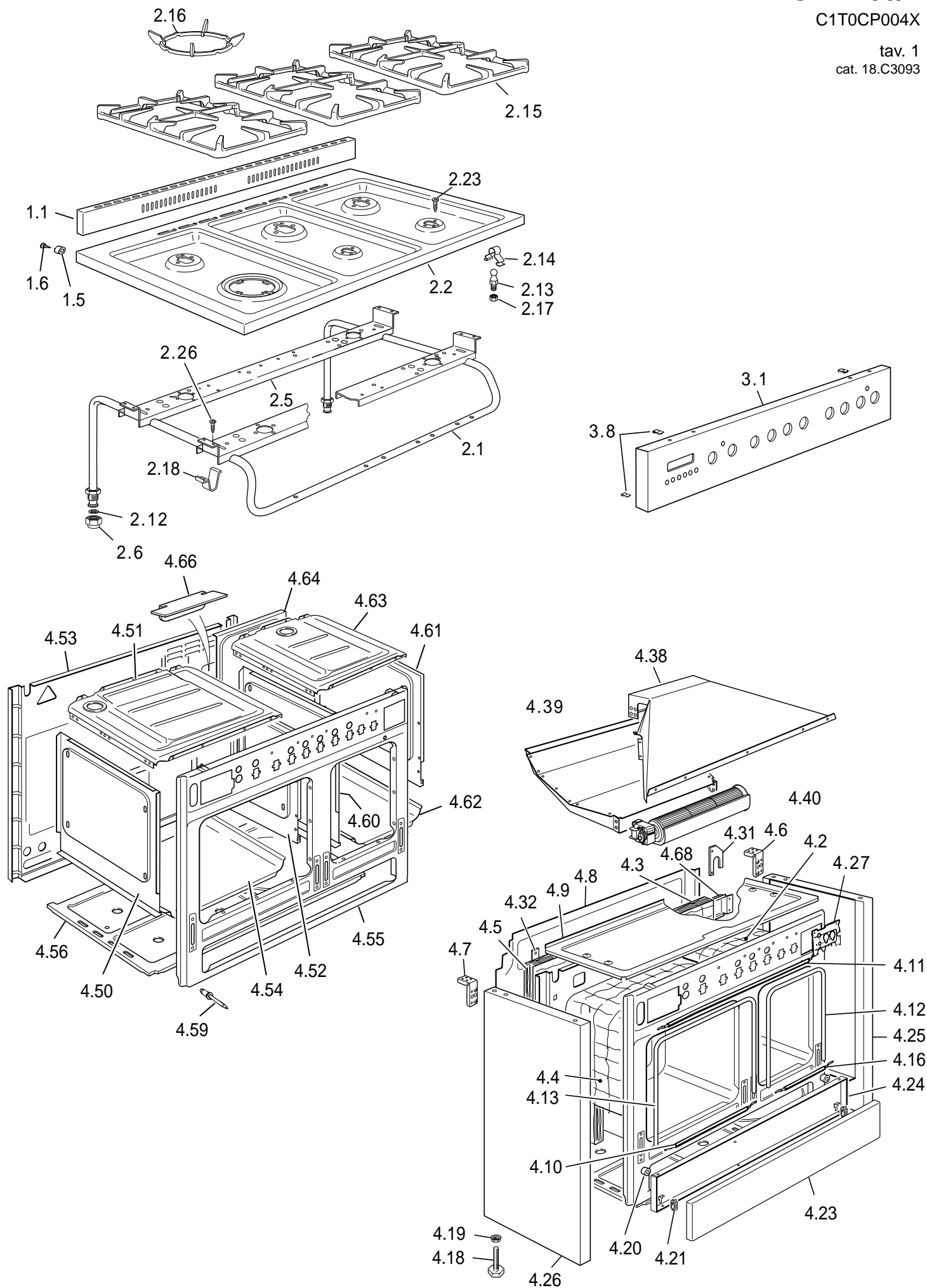
Caple 1000 Range 2 Cavity



CR 1200/1

C1T0CP004X

tav. 1
cat. 18.C3093



REF.	CODE	DESCRIPTION
1.1	103670063	Rear trim
1.5	040041001	Plug
1.6	001007	Stainless steel screw
2.1	3421060001	Manifold
2.2	33110601S	Cooktop
2.5	51B1002	Burners support
2.6	027015	Inlet pipe plug
2.12	053024.1	Gasket
2.13	103615	Pin
2.14	035100	Spring
2.15	217530	Pan-support
2.16	217498	Wok grid
2.17	214062	Nut
2.18	094473	Fixing plate
2.23	001234.1	Screw
2.26	001167	Screw
3.1	35C1006UC1	Control panel
3.8	213007	Clips
4.2	030127.1	Oven insulation
4.3	030128.1	Rear insulation
4.4	030135.1	Oven insulation
4.5	030098.1	Rear insulation
4.6	094417DX	Rear right coupler
4.7	094417SX	Rear left coupler
4.8	4119S01	Rear panel
4.9	4219S01Z	Upper shelter
4.10	053074	Top/bottom seal
4.11	053095	Top seal
4.12	053093	Seal
4.13	053039	Seal
4.16	053094	Bottom seal
4.18	103410080	Shim
4.19	214056	Nut
4.20	040061	Buffer
4.21	063075	Hinge
4.23	371V969UCP	Front panel
4.24	373V9601M	Inside panel
4.25	3611TD1S	Side panel right
4.26	3611TS1S	Side panel left
4.27	094136	Bracket
4.31	094419	Bracket
4.32	4219604Z	Rear insulation support
4.38	46A9S02Z	Air conveyor
4.39	46A9S01Z	Funnel
4.40	079025	Tangential fan
4.42	040056	Vibration-damper buffer
	094646	Side panel bracket
	531533	Tube retainer
	58BN601	Hinge protection

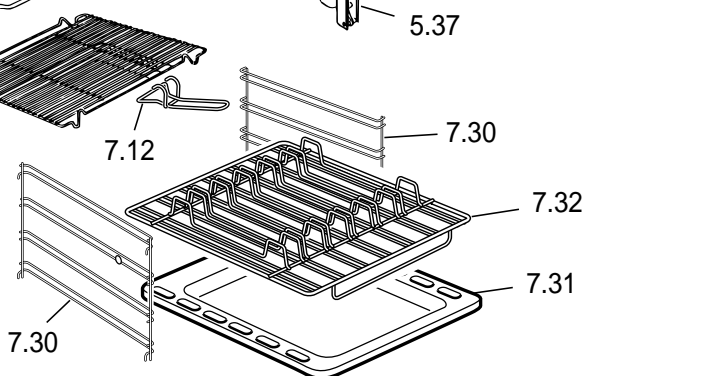
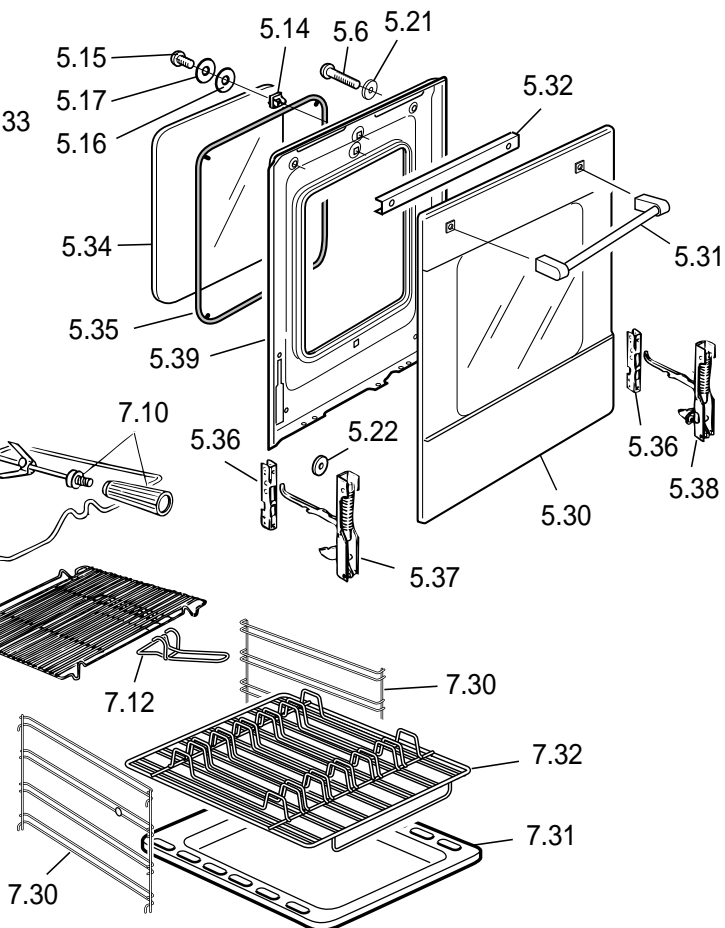
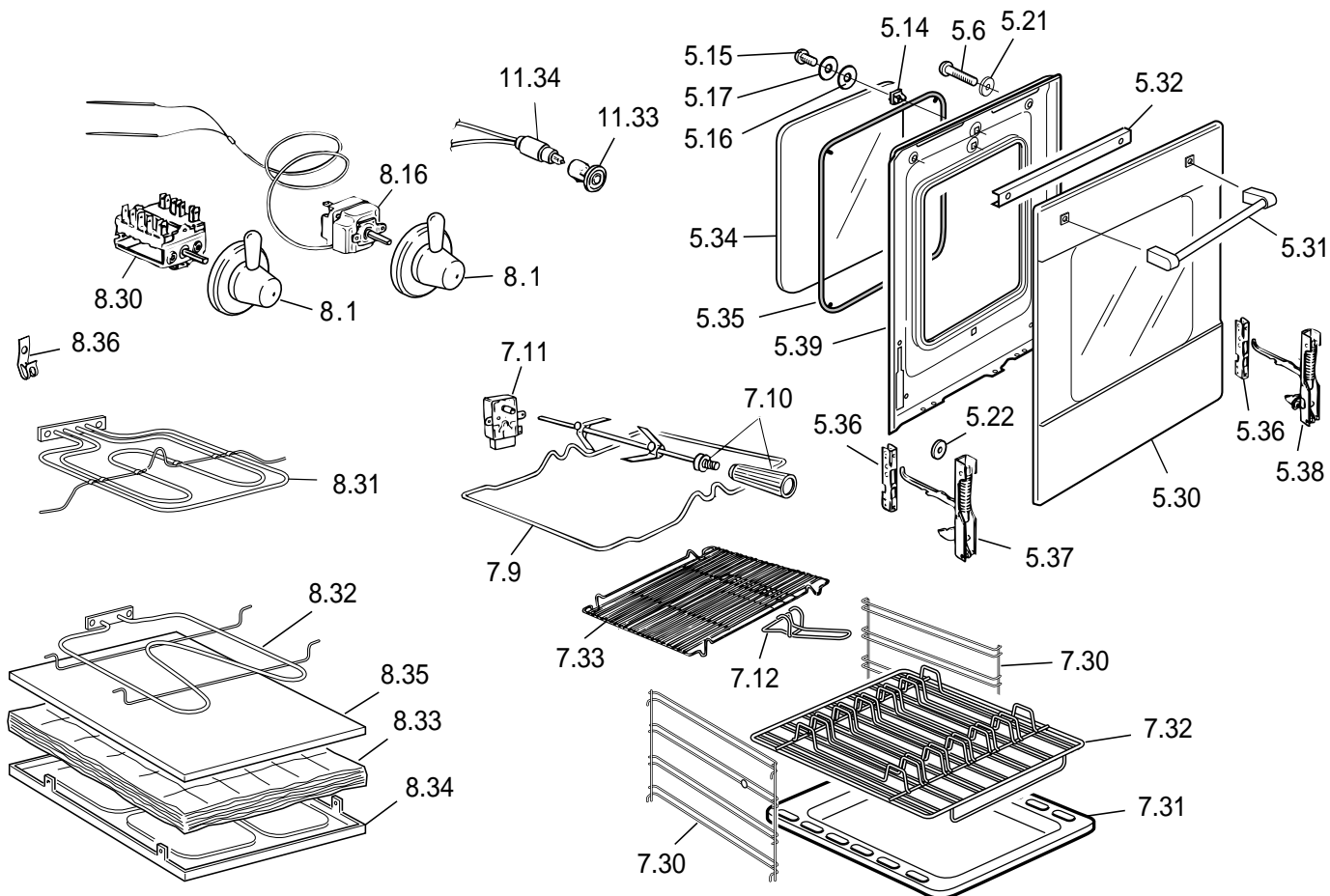
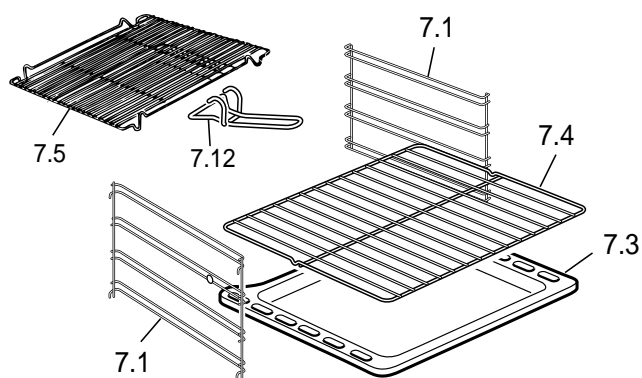
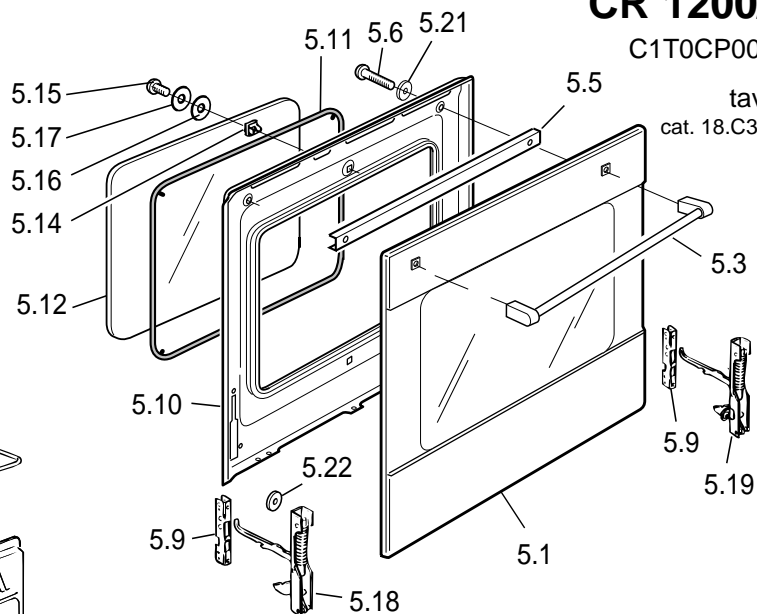
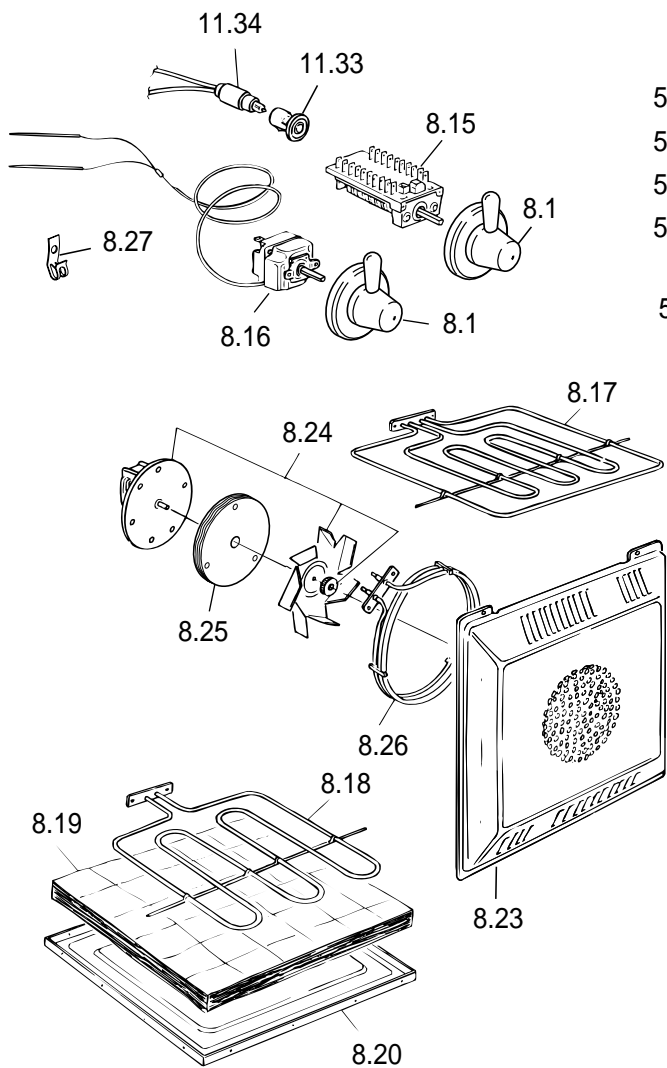
REF.	CODE	DESCRIPTION
4.50	45EN6106K	Oven side panel (Left)
4.51	45EN6101K	Top oven panel
4.52	45EN6107K	Oven side panel (Right)
4.53	45H9S001K	Body rear panel
4.54	47E6102K	Oven floor
4.55	45B9S001K	Body front panel
4.56	45K96001Z	Lower element cover
4.59	211012	Rivet
4.60	45E65104K	Oven side panel (Left)
4.61	45E65105K	Oven side panel (Right)
4.62	47E9S001K	Oven floor
4.63	45E9T001K	Top oven panel
4.64	45H9S002K	Body rear panel
4.66	4219S03Z	Right oven lower rear panel
4.68	51B9S03	Rear insulation support

CR 1200/1

C1T0CP004X

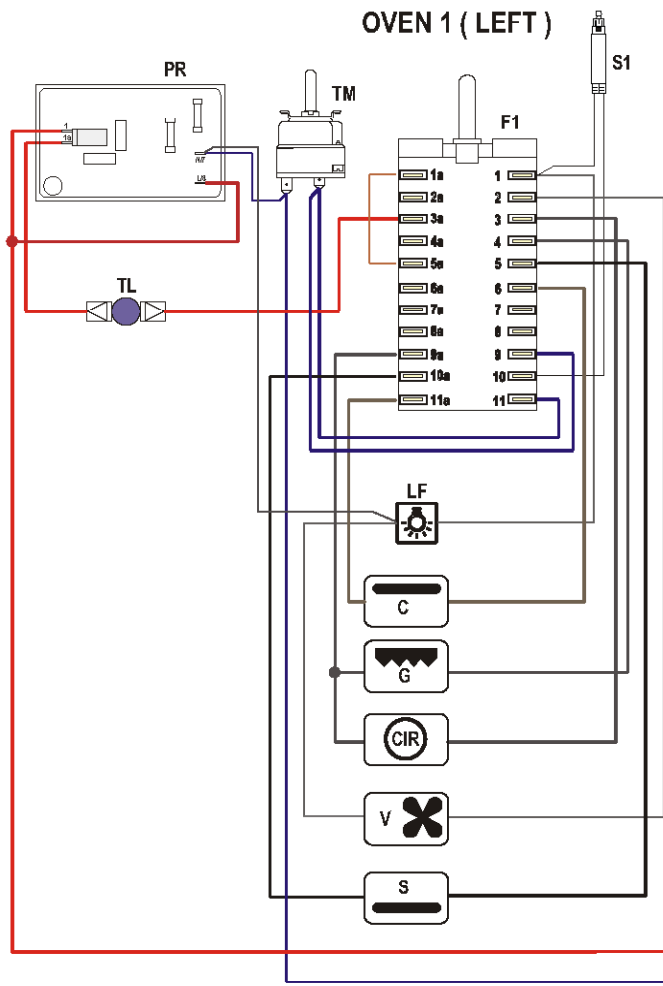
tav. 2

cat. 18.C3093



REF.	CODE	DESCRIPTION
5.1	032912196A	Door glass
5.3	037215062	Door handle
	103686.1	Washer
5.5	51B9102	Fixing bar
5.6	001056	Screw
5.9	063109	Door hinge (female)
5.10	373F9104K	Door panel
5.11	053084	Gasket
5.12	0311000.1T	Inner glass
5.14	214021	Nut
5.15	001143	Screw
5.16	003035	Washer
5.17	103205	Washer
5.18	063059/ZA	Left door hinge (male)
5.19	063058/ZA	Right door hinge (male)
5.21	003030	Washer
5.22	003041	Washer R 5,7x15
5.30	0329T2197A	Door glass
5.31	037216062	Door handle
5.32	51B9S04	Fixing bar
5.34	0312159T	Inner glass
5.35	053096	Gasket
5.36	063109	Door hinge (female)
5.37	063111	Left door hinge (male)
5.38	063110	Right door hinge (male)
5.39	373F9S01K	Door panel
7.1	217291	Shelf support
7.3	48B6101K	Oven tray
7.4	217220	Oven shelf
7.5	217397	Grill-pan grid
7.9	217539	Rotisserie support
7.10	080025+037012	Rotisserie spear
7.11	079014	Rotisserie motor
7.12	037144	Grill-pan grid handle
7.30	217307	Shelf support
7.31	48B9S001K	Oven tray
7.32	217542	Oven shelf
7.33	217537	Grill-pan grid
8.1	2185002294	Knob
	085081	Knob sleeve
8.15	050028.1	Oven switch
8.16	066072	Oven thermostat
8.17	062103004	Top + grill element - 230V
8.18	062066004	Bottom element - 230V
8.19	030083.1	Bottom element insulation
8.20	4216102Z	Bottom element support
8.23	47AN601K	Fan diffuser
8.24	079008001F	Complete oven fan - 220/240V
8.25	030136.1	Fan motor insulation
8.26	062057004	Fan element
8.27	213015	Clip
=	213023	Clip
8.30	050030	Oven switch
8.31	062102004	Top + grill element
8.32	062096004	Bottom element
8.33	030129.1	Bottom element insulation
8.34	4219S04Z	Bottom element support
8.35	4219S05Z	Bottom element protection
8.36	213025	Clip
11.33	07306202.2	Control lamp cover - Red
11.34	073039.2	Control lamp L=270

REF.	CODE	DESCRIPTION
6.1	2185002340	Burner knob
6.4	106240	Tap - Ø 0.27 A
=	106241	Tap - Ø 0.32 SR
=	106242	Tap - Ø 0.42 R
=	106243	Tap - Ø 0.65 TR
6.5	001233	Tap fixing screw
6.6	094382	Tap bracket
6.8A	215465	A burner-cup
6.8SR	215466	SR burner-cup
6.8R	215467	R burner-cup
6.9R	068111001	R burner head
6.9SR	068110001	SR burner head
6.9A	068109001	A burner head
6.10A	216129005A	A burner-cap
6.10SR	216130005A	SR burner-cap
6.10R	216131005A	R burner-cap
6.12	101234	Injector - Ø 0.72 - G20
=	101235	Injector - Ø 0.97 - G20
=	101236	Injector - Ø 1.15 - G20
6.12	101180	Injector - Ø 0.50 - G30
=	101181	Injector - Ø 0.65 - G30
=	101182	Injector - Ø 0.85 - G30
6.14	053024.1	Elbow gasket
6.15	215469	Burner-cup TR
6.17	101237	TR injector - Ø 1.35 - G20
=	101233	TR injector - Ø 0.95 - G30
6.18	027014	LPG connection
6.19	029641	A inlet pipe - front right
6.20	029640	SR inlet pipe - rear right
6.21	029639	R inlet pipe - rear central
6.22	029638	A inlet pipe - front central
6.23	029637	SR inlet pipe - rear left
6.24	029636	TR inlet pipe - front left
6.25	068112001	TR burner head
6.28	027013	Natural gas connection
6.29	067026	Connection
6.36	216132005A	Burner-cap inside TR
6.37	216133005A	Burner-cap outside TR
6.38	053078	Burner-cup gasket
6.39	040064	Stopper
9.1	074041	Electronic timer
9.2	094363	Electronic timer seal
9.3	103271080	Button (Black)
9.4	040056	Protection
11.1	072003	Lamp holder
11.2	073013001	Lamp
	094221	Earth plate
11.5	082048.1	Burners ignition coil
11.7	035094	Igniter spring
11.8	084029	Igniter - L = 630 mm
=	084035	Igniter TR - L = 900 mm
=	084036	Igniter - L = 900 mm
11.11	103230.1A	Terminal block protection
11.13	052008	Wire fastener
11.16	1131313	Wiring
11.18	103633	Ignition switches
11.19	035080	Ignition switches spring
11.20	003039	Retaining ring
11.21	003038	Washer
11.32	051049	Terminal block 25A - 3P
11.36	066123	Cut-off thermostat 160°
=	066145	Cut-off thermostat 80°
=	066073	Cut-off thermostat 150°
-	1102226	Instruction booklet
	6109S60001	LPG gas conversion kit



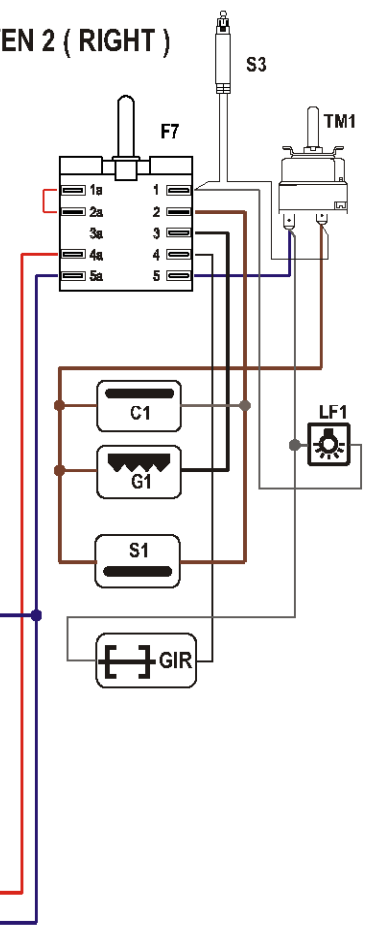
Oven switch diagram (LEFT)

POSITION 0	0	1	2	3	4	5	6	7	8	9	10	11
FUNCTION 1 40° ← Oven light	15	20	25	30	35	40	45	50	55	60	65	70
FUNCTION 2 80° ← Traditional convection cooking	15	20	25	30	35	40	45	50	55	60	65	70
FUNCTION 3 120° ← Grilling	15	20	25	30	35	40	45	50	55	60	65	70
FUNCTION 4 150° ← Defrosting frozen foods	15	20	25	30	35	40	45	50	55	60	65	70
FUNCTION 5 200° ← Hot air cooking	15	20	25	30	35	40	45	50	55	60	65	70
FUNCTION 6 240° ← Ventilated grill cooking	15	20	25	30	35	40	45	50	55	60	65	70
FUNCTION 7 280° ← Maintaining temperature after cooking or slowly heating foods	15	20	25	30	35	40	45	50	55	60	65	70
FUNCTION 8 320° ← Convection cooking with ventilation	15	20	25	30	35	40	45	50	55	60	65	70

OVEN 2 (RIGHT)

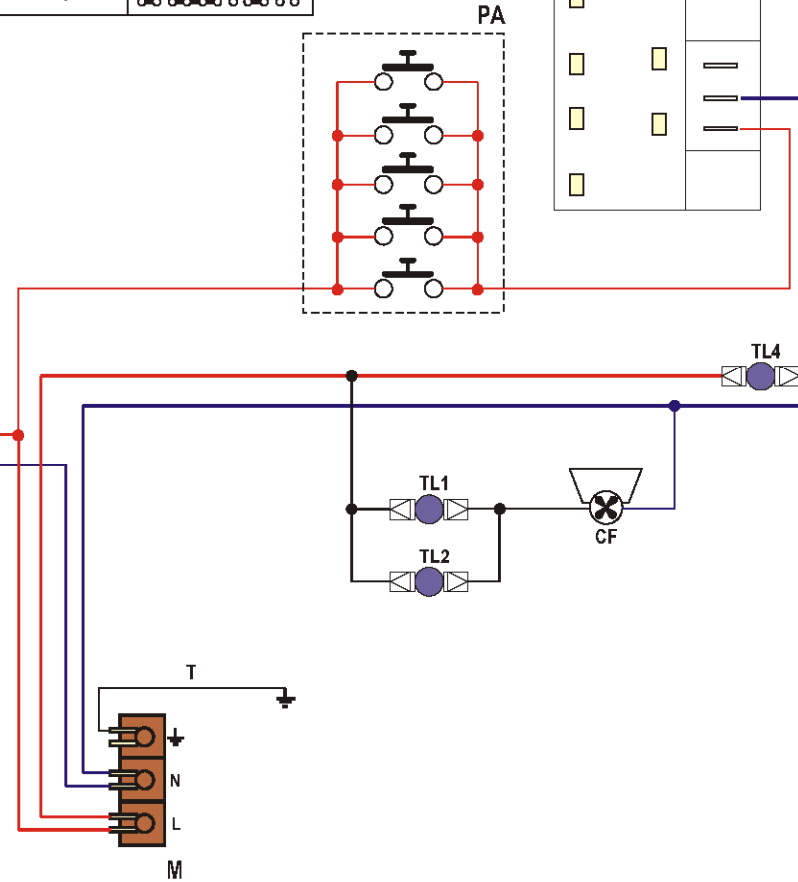
Oven switch diagram (RIGHT)

POSITION 0	1	2	3	4	5
FUNCTION 1 Oven light	1a	2a	3a	4a	5a
FUNCTION 2 Traditional convection cooking	1a	2a	3a	4a	5a
FUNCTION 3 Convection cooking with rotisserie	1a	2a	3a	4a	5a
FUNCTION 4 Grill cooking with rotisserie	1a	2a	3a	4a	5a
FUNCTION 5 Grilling	1a	2a	3a	4a	5a



ELECTRIC DIAGRAM KEY

- | | | | |
|-------|-------------------------|-----|------------------|
| A | Ignition coil | G | Grill element |
| PA | Ignition switches | CIR | Circular element |
| TL1/2 | Cooling fan thermostats | V | Fan |
| CF | Cooling fan | S | Bottom element |
| M | Terminal block | | |
| T | Hearth plant | | |
-
- | RIGHT OVEN | |
|------------|-----------------------|
| F7 | Oven switch |
| TM1 | Oven Thermostat |
| TL4 | Thermal overload |
| S3 | Thermostat pilot lamp |
| LF1 | Oven Lamp |
| G1 | Grill element |
| S1 | Bottom element |
| GIR | Rotisserie |
-
- | LEFT OVEN | |
|-----------|-----------------------|
| F1 | Oven switch |
| TM | Oven thermostat |
| PR | Programmer |
| TL | Thermal overload |
| LF | Oven Lamp |
| S1 | Thermostat pilot lamp |
| C | Top element |



caple
CR1200
Caple 1000 Range 2 Cavity