



CR1100

Caple 1000 Range 1 Cavity

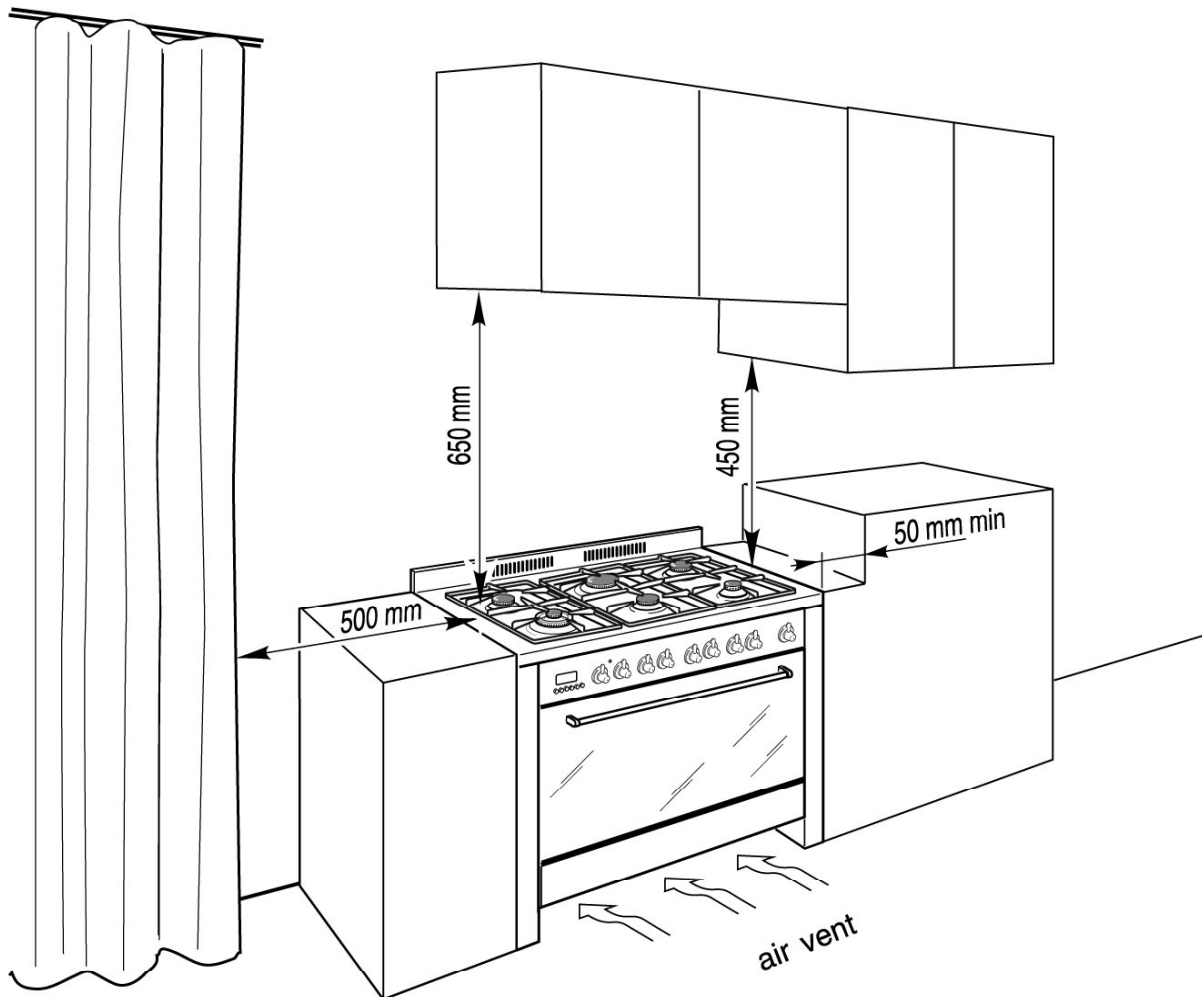


TECHNICAL INFORMATION



CR1100

Caple 1000 Range 1 Cavity

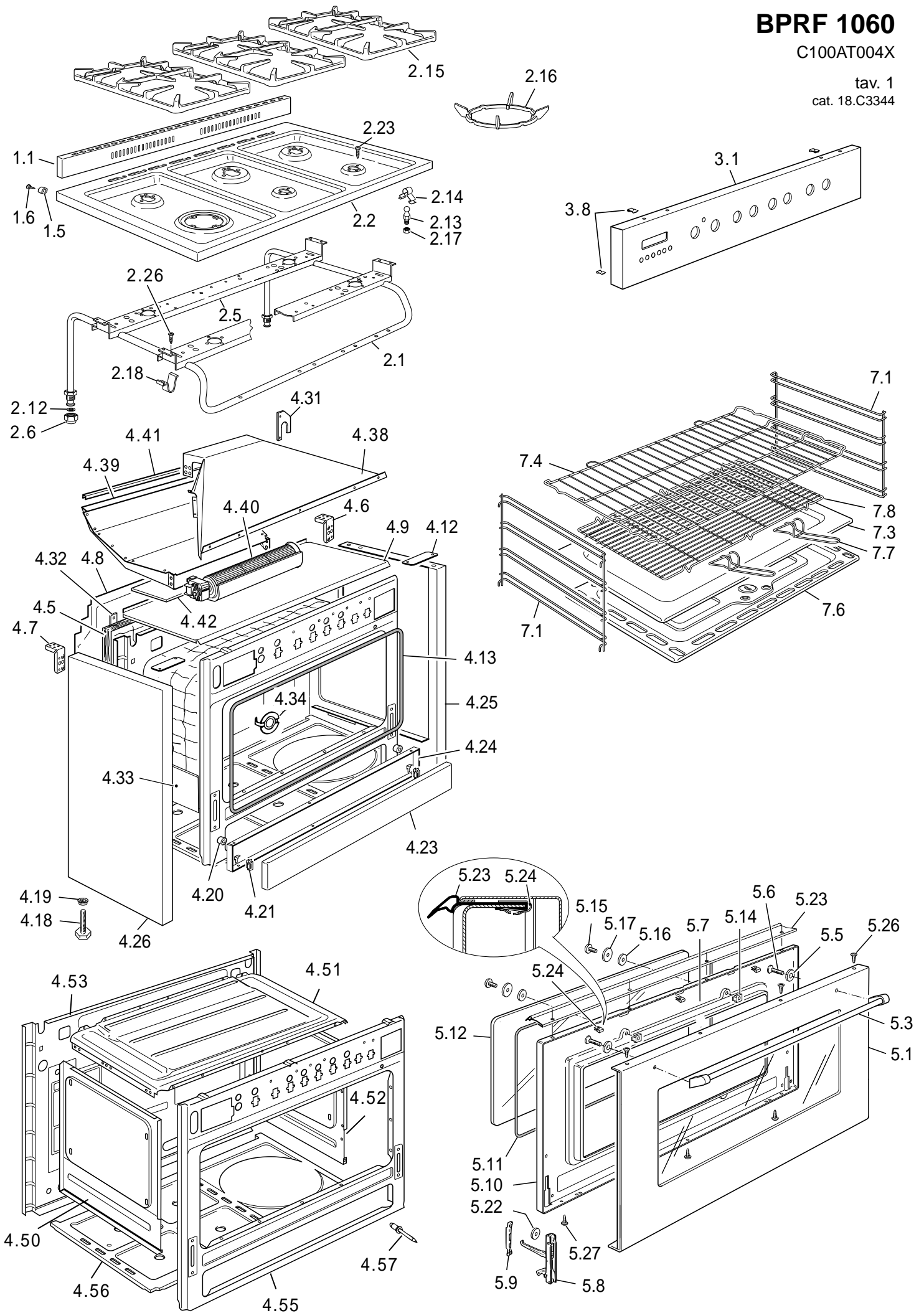


BPRF 1060

C100AT004X

tav. 1

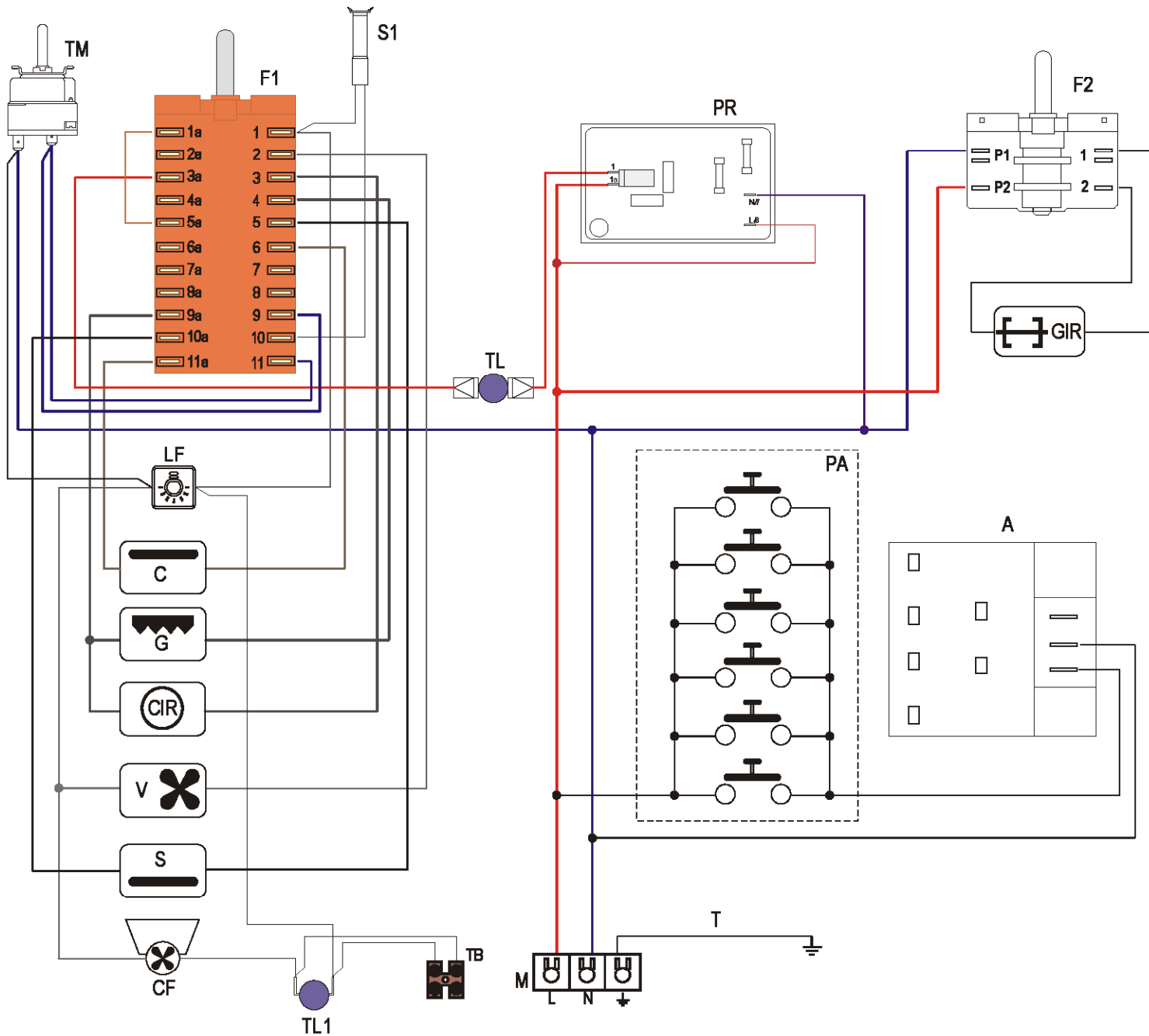
cat. 18.C3344



REF.	CODE	DESCRIPTION
1.1	103670063	Rear trim
1.5	040041001	Plug
1.6	001007	Screw
2.1	3421060001	Manifold
2.2	33110601S	Cooktop
2.5	51B1002	Burners support
2.6	027015	Inlet pipe plug
2.12	053024.1	Gasket
2.13	103615	Pin
2.14	035100	Spring
2.15	217530	Pan-support
2.16	217498	Wok grid
2.17	214062	Nut
2.18	094473	Fixing plate
2.23	001234.1	Stainless steel screw M3x8
2.26	001167	Screw
3.1	35C1011SKW	Control panel
3.8	213007	Clips
4.4	030134.1	Oven insulation
4.5	030106.1	Rear insulation
4.6	094417DX	Rear right coupler
4.7	094417SX	Rear left coupler
4.8	4119602	Rear panel
4.9	4219S01Z	Upper shelter
4.12	094429	Side panel bracket
4.13	053101	Seal
4.18	103410080	Shim
4.19	214056	Nut
4.20	040061	Buffer
4.21	063075	Hinge
4.23	371V1001YS	Front panel
4.24	373V9601M	Inside panel
4.25	36110D1S	Side panel right
4.26	36110S1S	Side panel left
4.31	094419	Bracket
4.32	4219604Z	Rear insulation support
4.33	58BN601	Hinge protection
4.34	035097	Rotisserie hole plug
4.38	46A9S02Z	Air conveyor
4.39	46A9S01Z	Funnel
4.40	079025	Tangential fan
4.41	053092	Funnel gasket
4.42	053097	Vibration-damper
4.50	45EN6106K	Oven side panel (Left)
4.51	45E96001K	Top oven panel
4.52	45EN6107K	Oven side panel (Right)
4.53	45H96005K	Body rear panel
4.55	45B96003K	Body front panel
4.56	45K96001Z	Lower element cover
4.57	211012	Rivet

REF.	CODE	DESCRIPTION
5.1	032961902H	Door glass
5.3	037229062	Door handle
5.5	003057	Washer
5.6	001071	Screw
5.8	063100	Door hinge (male)
5.9	063066	Door hinge (female)
5.10	373F9604K	Door panel
5.11	053058	Gasket
5.12	0311292/TH	Inner glass
5.14	214021	Nut
5.15	001143	Screw
5.16	003035	Washer
5.17	103205	Washer
5.22	003041	Hinge washer
5.23	053083	Gasket
5.24	213029	Clip
5.26	001089	Screw
5.27	001007	Screw
7.1	217291	Shelf support
7.3	48B8501K	Oven tray
7.4	217496	Oven shelf
7.6	47E9604K	Oven floor
7.7	037208	Grill-pan grid handle
7.8	217523	Grill-pan grid

REF.	CODE	DESCRIPTION	REF.	CODE	DESCRIPTION
6.1	218P25A344	Burner knob	11.1	072004	Lamp holder
6.4	106240	Tap - Ø 0.27 A	11.2	073013001	Lamp
=	106241	Tap - Ø 0.32 SR	11.5	082048.1	Burners ignition coil
=	106242	Tap - Ø 0.42 R	11.7	035094	Igniter spring
=	106243	Tap - Ø 0.65 TR	11.8	084029	Igniter - L = 630 mm
6.5	001233	Tap fixing screw	=	084035	Igniter TR - L = 900 mm
6.6	094382	Tap bracket	=	084036	Igniter - L = 900 mm
6.8A	215465	A burner-cup	11.11	103230.1A	Terminal block protection
6.8SR	215466	SR burner-cup	11.14	052008	Wire fastener
6.8R	215467	R burner-cup	11.15	054048	Cord 3x1,5
6.9R	068111001	R burner head	11.16	1131436	Wiring
6.9SR	068110001	SR burner head	11.18	103633	Ignition switches
6.9A	068109001	A burner head	11.19	035080	Ignition switches spring
6.10A	216129005A	A burner-cap	11.20	003039	Retaining ring
6.10SR	216130005A	SR burner-cap	11.21	003038	Washer
6.10R	216131005A	R burner-cap	11.32	051036	Terminal block 16A - 2P
6.12	101234	Injector - Ø 0.72 - G20	=	051049	Terminal block 25A - 3P
=	101235	Injector - Ø 0.97 - G20	11.33	07306202.2	Control lamp cover - Red
=	101236	Injector - Ø 1.15 - G20	11.34	073039.2	Control lamp L=230
6.12	101180	Injector - Ø 0.50 - G30	11.36	066080	Cut-off thermostat 55°
=	101181	Injector - Ø 0.65 - G30	=	066123	Cut-off thermostat 160°
=	101182	Injector - Ø 0.85 - G30			
6.14	053024.1	Elbow gasket			
6.15	215469	Burner-cup TR	-	1102312	Instruction booklet
6.17	101237	TR injector - Ø 1.35 - G20			
=	101233	TR injector - Ø 0.95 - G30			
6.18	027014	LPG connection			
6.19	029641	A inlet pipe - front right			
6.20	029640	SR inlet pipe - rear right			
6.21	029639	R inlet pipe - rear central			
6.22	029638	A inlet pipe - front central			
6.23	029637	SR inlet pipe - rear left			
6.24	029636	TR inlet pipe - front left			
6.25	068112001	TR burner head			
6.28	027013	Natural gas connection			
6.29	067026	Connection			
6.36	216132005A	Burner-cap inside TR			
6.37	216133005A	Burner-cap outside TR			
6.38	053078	Burner-cup gasket			
6.39	040064	Stopper			
8.1	218P75A345	Oven knob thermostat			
8.2	218P41A345	Oven knob switch			
8.15	050028.1	Oven switch			
8.16	066072	Oven thermostat			
8.17	062100004	Top element - 230V			
8.18	062101004	Bottom element - 230V			
8.19	030076.1	Bottom element insulation			
8.20	4219602Z	Bottom insulation support			
8.21	4219605Z	Bottom element support			
8.23	47A9601K.2	Fan diffuser			
8.24	079026	Fan motor			
8.26	062057004	Fan element - 230 V			
8.27	213025	Clip			
9.1	074041	Electronic timer			
9.2	094363	Electronic timer seal			
9.3	103271080	Button (Black)			
9.4	040056	Protection			



Oven switch diagram

POSITION 0	1 2 3 4 5 6 7 8 9 10 11
FUNCTION 1 40°C Oven light	1a 2a 3a 4a 5a 6a 7a 8a 9a 10a 11a
FUNCTION 2 80°C Traditional convection cooking	
FUNCTION 3 120°C Grilling	
FUNCTION 4 160°C Defrosting frozen foods	
FUNCTION 5 200°C Hot air cooking	
FUNCTION 6 240°C Ventilated grill cooking	
FUNCTION 7 280°C Maintaining temperature after cooking or slowly heating foods	
FUNCTION 8 320°C Convection cooking with ventilation	

Rotisserie switch

POSITION	P1	P2
0	1	2
FUNCTION 1 90°C	1	2

ELECTRIC DIAGRAM KEY

- F1 Oven switch
- TM Thermostat
- LF Oven lamp
- F2 Rotisserie switch
- GIR Rotisserie
- CF Cooling fan
- PR Oven programmer
- C Top element
- G Grill element
- V Fan
- S Bottom element
- CIR Circular element
- PA Ignition switches group
- A Ignition coil
- TL Thermal overload
- TL1 Thermal overload pilot lamp
- M Terminal block
- T Earth connection
- TB Testing block



CR1100

Caple 1000 Range 1 Cavity