



CR1002SS

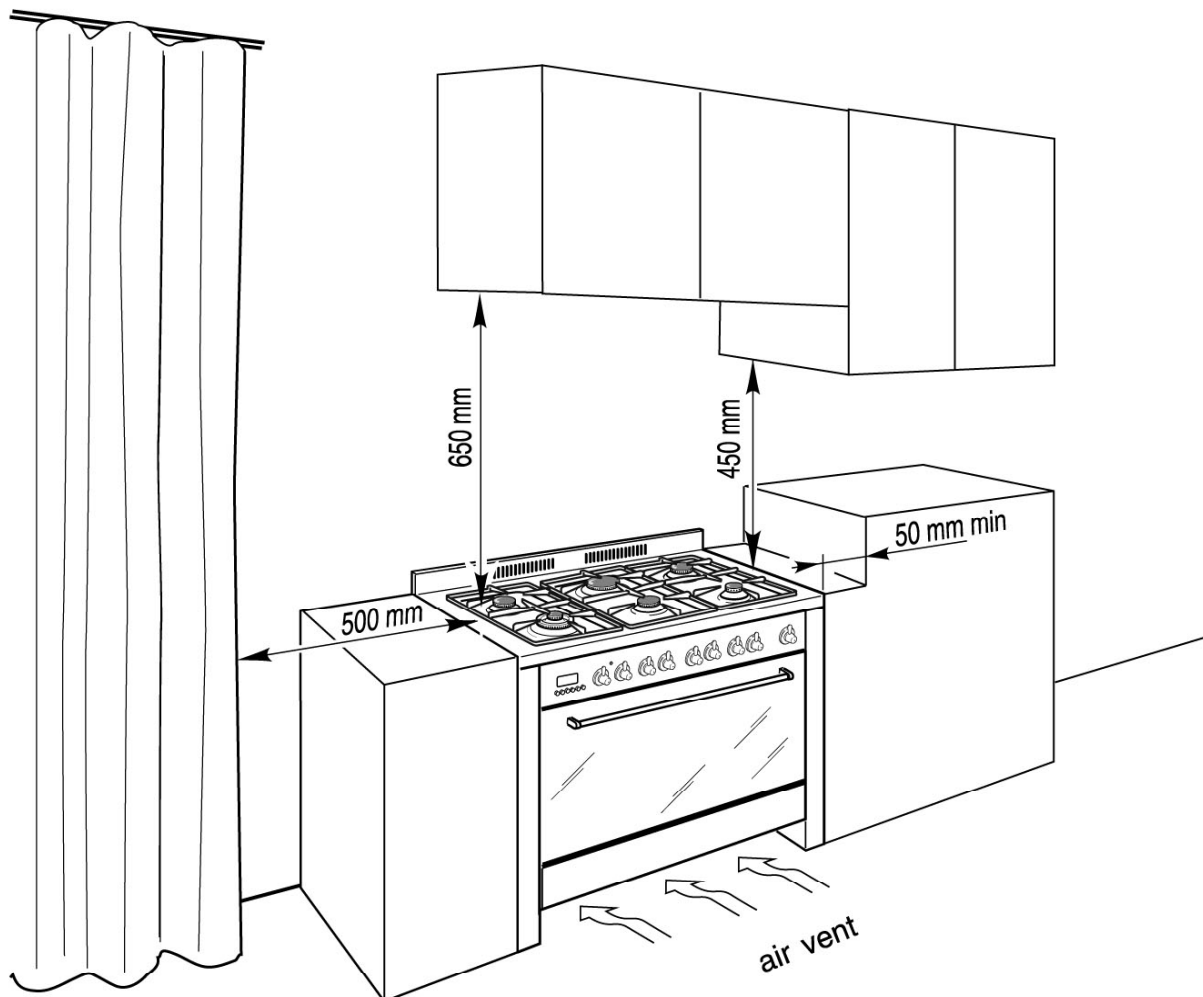
Caple 1000mm 1 Cavity range

TECHNICAL INFORMATION



CR1002SS

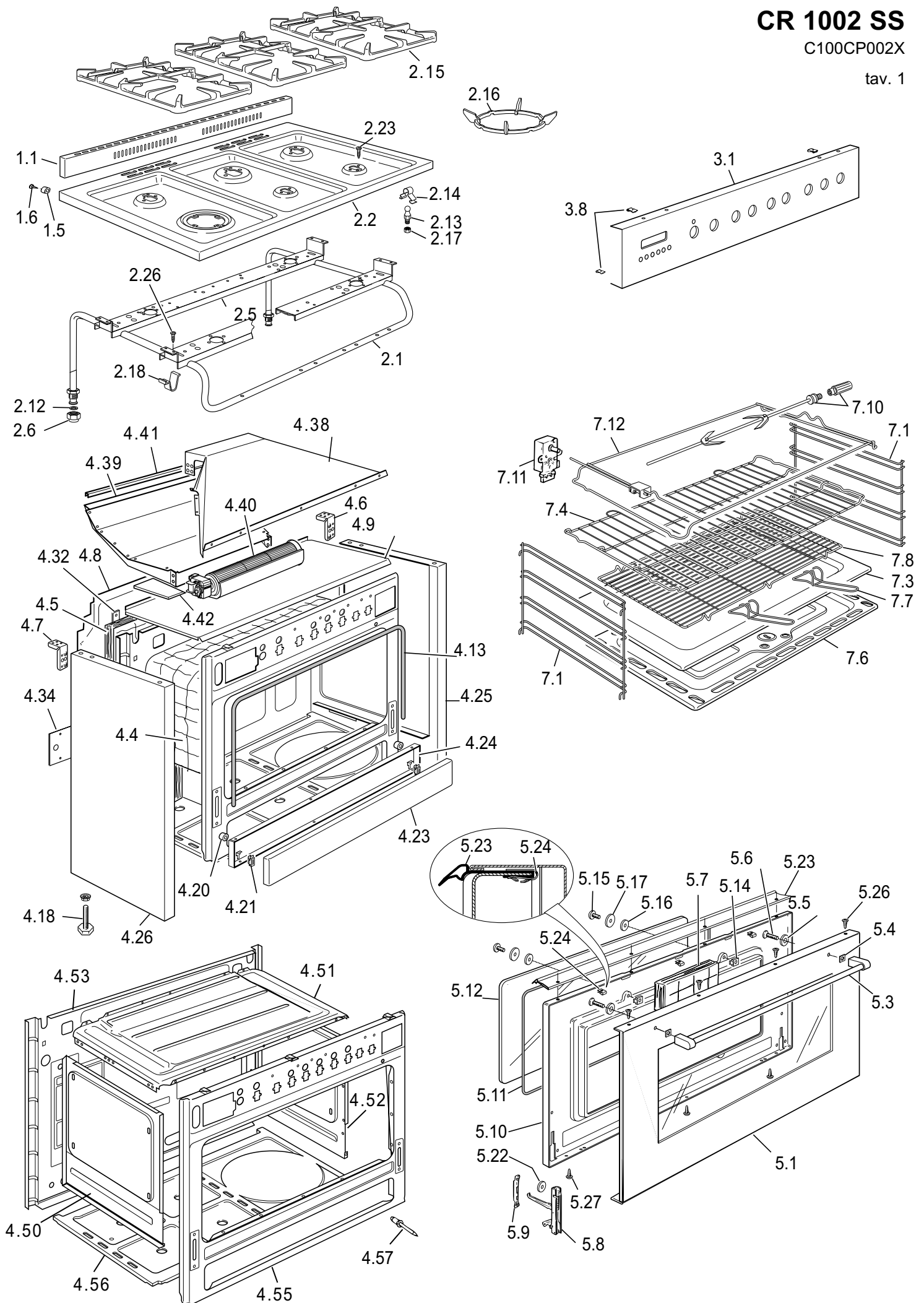
Caple 1000mm 1 Cavity range



CR 1002 SS

C100CP002X

tav. 1



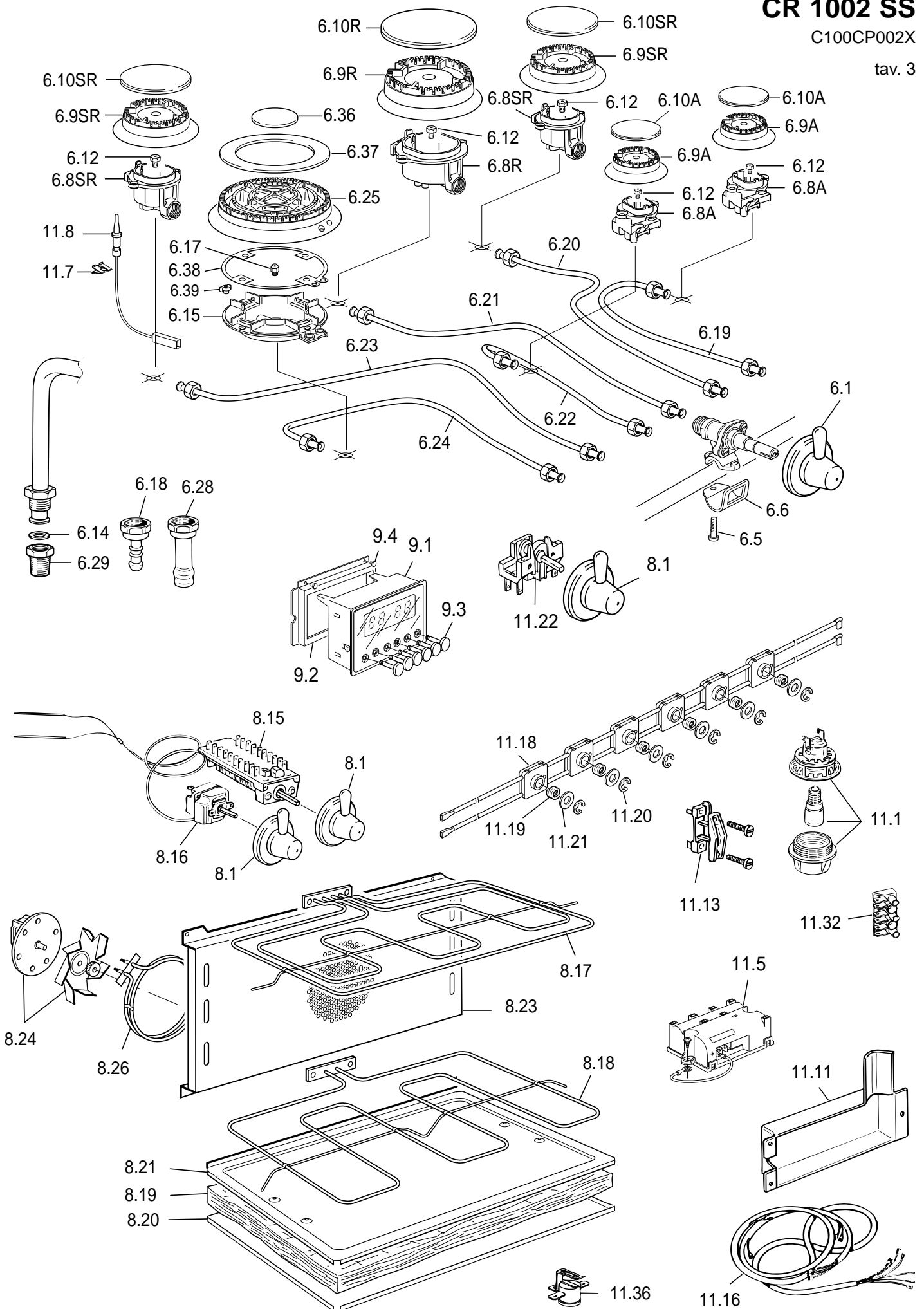
REF.	CODE	DESCRIPTION
1.1	103670063	Rear trim
1.5	040041001	Plug
1.6	001007	Stainless steel screw
2.1	3421060001	Manifold
2.2	33110601S	Cooktop
2.5	51B1002	Burners support
2.6	027015	Inlet pipe plug
2.12	053024.1	Gasket
2.13	103615	Pin
2.14	035100	Spring
2.15	217530	Pan-support
2.16	217498	Wok grid
2.17	214062	Nut
2.18	094473	Fixing plate
2.23	001130	Screw 7Px16
2.26	001167	Screw
3.1	35C1006SCP	Control panel
3.8	213007	Clips
4.4	030074.1	Oven insulation
4.5	030106.1	Rear insulation
4.6	094417DX	Rear right coupler
4.7	094417SX	Rear left coupler
4.8	4119602	Rear panel
4.9	4219S01Z	Upper shelter
4.13	053057	Seal
4.18	103410080	Shim
4.20	040061	Buffer
4.21	063075	Hinge
4.23	371V1001YS	Front panel
4.24	373V9601M	Inside panel
4.25	36110D1S	Side panel right
4.26	36110S1S	Side panel left
4.32	4219604Z	Rear insulation support
4.34	103505A	Rotisserie motor support
4.38	46A9S02Z	Air conveyor
4.39	46A9S01Z	Funnel
4.40	079025	Tangential fan
4.41	053092	Funnel gasket
4.42	053097	Vibration-damper
4.50	45EN6106K	Oven side panel (Left)
4.51	45E96001K	Top oven panel
4.52	45EN6107K	Oven side panel (Right)
4.53	45H96005K	Body rear panel
4.55	45B96003K	Body front panel
4.56	45K96001Z	Lower element cover
4.57	211012	Rivet

REF.	CODE	DESCRIPTION
5.1	032961882G	Door glass
5.3	037214062	Door handle
5.5	003057	Washer
5.6	001083	Screw
5.8	063100	Door hinge (male)
5.9	063066	Door hinge (female)
5.10	373F9604K	Door panel
5.11	053058	Gasket
5.12	0311292/TH	Inner glass
5.14	214021	Nut
5.15	001143	Screw
5.16	003035	Washer
5.17	103205	Washer
5.22	003041	Hinge washer
5.23	053083	Gasket
5.24	213029	Clip
5.26	001089	Screw
5.27	001007	Screw
7.1	217291	Shelf support
7.3	48B8501K	Oven tray
7.4	217496	Oven shelf
7.6	47E9604K	Oven floor
7.7	037208	Grill-pan grid handle
7.8	217523	Grill-pan grid
7.10	080027+037012	Rotisserie spear
7.11	079014	Rotisserie motor
7.12	217401.1	Rotisserie support

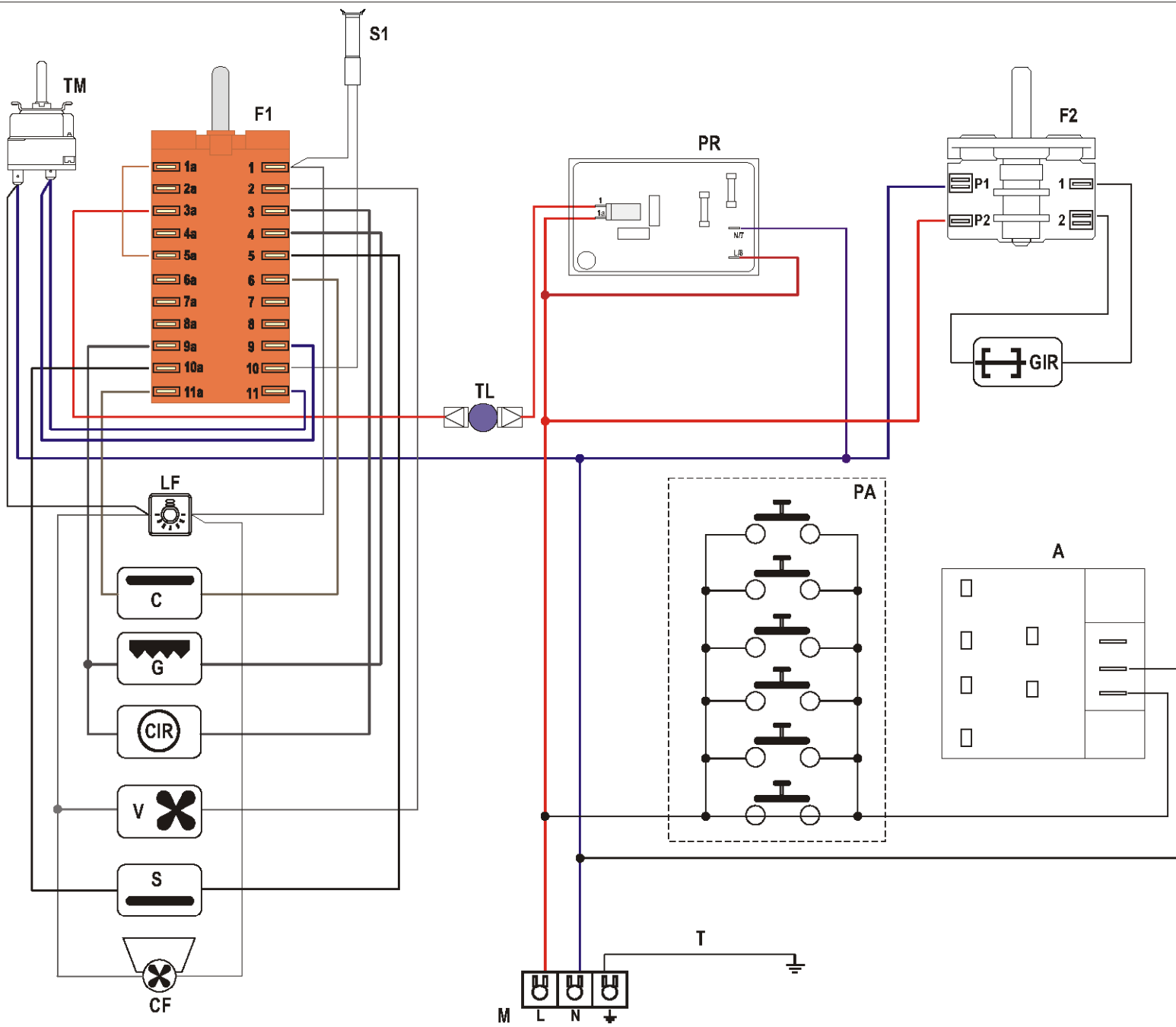
CR 1002 SS

C100CP002X

tav. 3



REF.	CODE	DESCRIPTION	REF.	CODE	DESCRIPTION
6.1	2185002340	Burner knob	11.1	072004	Lamp holder
6.4	106240	Tap - Ø 0.27 A	11.2	073013001	Lamp
=	106241	Tap - Ø 0.32 SR	11.5	082048.1	Burners ignition coil
=	106242	Tap - Ø 0.42 R	11.7	035094	Igniter spring
=	106243	Tap - Ø 0.42 TR	11.8	084029	Igniter - L = 630 mm
6.5	001233	Tap fixing screw	=	084035	Igniter TR - L = 900 mm
6.6	094382	Tap bracket	=	084036	Igniter - L = 900 mm
6.8A	215465	A burner-cup	11.11	103230.1A	Terminal block protection
6.8SR	215466	SR burner-cup	11.13	052008	Wire fastener
6.8R	215467	R burner-cup	11.16	1131321	Wiring
6.9R	068111001	R burner head	11.18	103633	Ignition switches
6.9SR	068110001	SR burner head	11.19	035080	Ignition switches spring
6.9A	068109001	A burner head	11.20	003039	Retaining ring
6.10A	216129005A	A burner-cap	11.21	003038	Washer
6.10SR	216130005A	SR burner-cap	11.22	050058	Oven light switch
6.10R	216131005A	R burner-cap	11.23	2185002294	Switch oven knob
6.12	101234	Injector - Ø 0.72 - G20	11.32	051049	Terminal block 25A - 3P
=	101235	Injector - Ø 0.97 - G20	11.33	073035	Control lamp cover - Red
=	101236	Injector - Ø 1.15 - G20	11.34	073038.2	Control lamp L=200
6.12	101180	Injector - Ø 0.50 - G30	11.36	066123	Cut-off thermostat 160°
=	101181	Injector - Ø 0.65 - G30	-	1101907	Instruction booklet
=	101182	Injector - Ø 0.85 - G30			
6.14	053024.1	Elbow gasket			
6.15	215469	Burner-cup TR		6109S60001	LPG gas conversion kit
6.17	101237	TR injector - Ø 1.35 - G20			
=	101233	TR injector - Ø 0.95 - G30			
6.18	027014	LPG connection			
6.19	029641	A inlet pipe - front right			
6.20	029640	SR inlet pipe - rear right			
6.21	029639	R inlet pipe - rear central			
6.22	029638	A inlet pipe - front central			
6.23	029637	SR inlet pipe - rear left			
6.24	029636	TR inlet pipe - front left			
6.25	068112001	TR burner head			
6.28	027013	Natural gas connection			
6.29	067026	Connection			
6.36	216132005A	Burner-cap inside TR			
6.37	216133005A	Burner-cap outside TR			
6.38	053078	Burner-cup gasket			
6.39	040064	Stopper			
8.1	2185002294	Oven knob			
8.15	050028.1	Oven switch			
8.16	066072	Oven thermostat			
8.17	062075004	Top element - 230V			
8.18	062073004	Bottom element - 230V			
8.19	030076.1	Bottom element insulation			
8.20	4219602Z	Bottom insulation support			
8.21	4219605Z	Bottom element support			
8.23	47A9601K.2	Fan diffuser			
8.24	079026	Fan motor			
8.26	062057004	Fan element - 230 V			
8.27	213025	Clip			
9.1	074041	Electronic timer			
9.2	094363	Electronic timer seal			
9.3	103271080	Button (Black)			
9.4	040056	Protection			



Oven switch diagram

POSITION 0	1 2 3 4 5 6 7 8 9 10 11
	1a 2a 3a 4a 5a 6a 7a 8a 9a 10a 11a
FUNCTION 1 40°<	
Oven light	
FUNCTION 2 80°<	
Traditional convection cooking	
FUNCTION 3 120°<	
Grilling	
FUNCTION 4 160°<	
Defrosting frozen foods	
FUNCTION 5 200°<	
Hot air cooking	
FUNCTION 6 240°<	
Ventilated grill cooking	
FUNCTION 7 280°<	
Maintaining temperature after cooking or slowly heating foods	
FUNCTION 8 320°<	
Convection cooking with ventilation	

ELECTRIC DIAGRAM KEY

- F1 Oven switch
- TM Thermostat
- LF Oven lamp
- F2 Rotisserie switch
- GIR Rotisserie switch
- CF Cooling fan
- PR Oven programmer
- C Top element
- G Grill element
- V Fan
- S Bottom element
- CIR Circular element
- PA Ignition switches group
- A Ignition coil
- TL Thermal overload
- S1 Thermostat pilot lamp
- M Terminal block
- T Earth connection

 **CR1002SS**
Caple 1000mm 1 Cavity range