



# C5220

Caple 600 f/s cooker CERAMIC

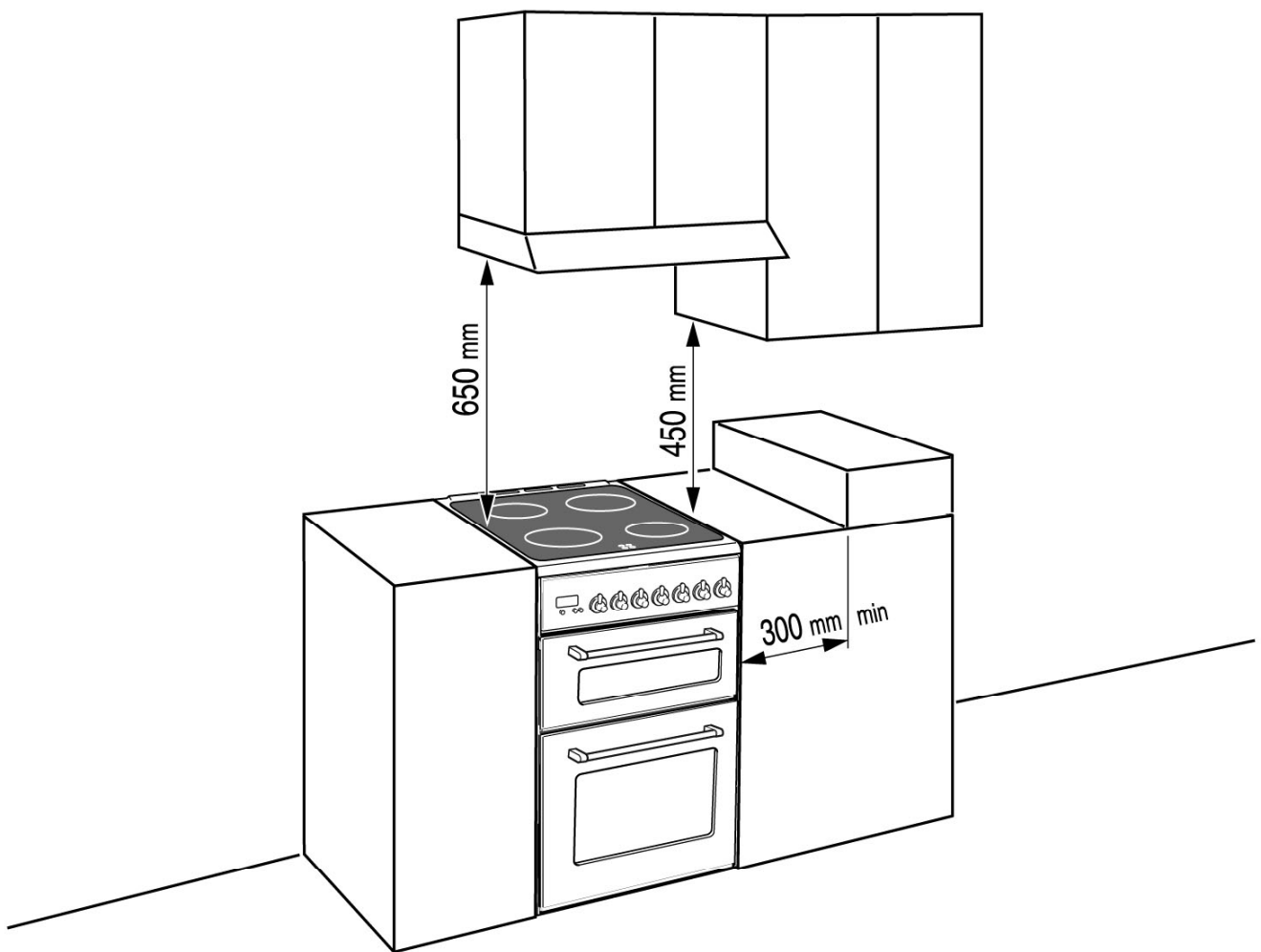


TECHNICAL INFORMATION



# C5220

Caple 600 f/s cooker CERAMIC

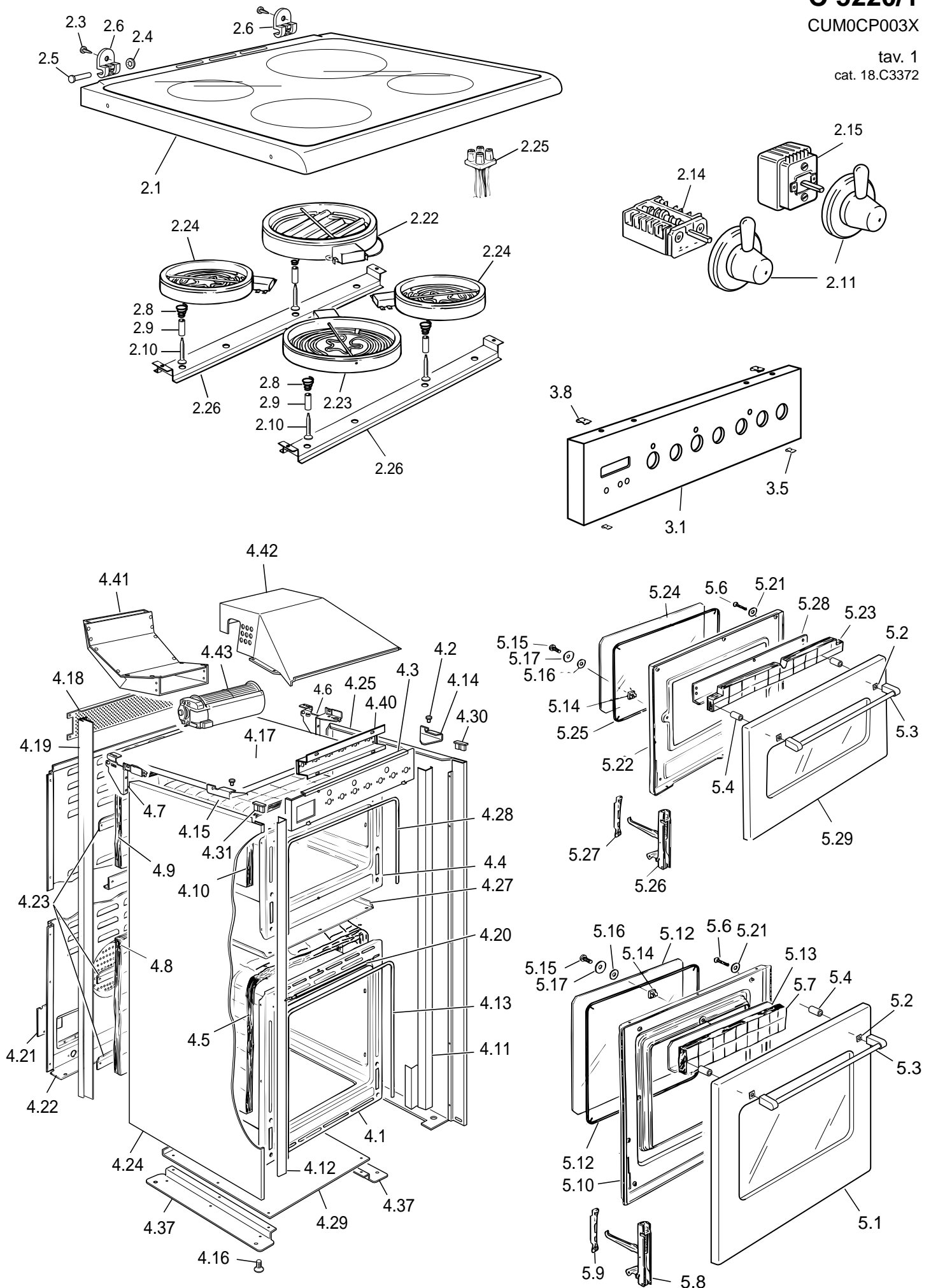


# C 5220/1

CUM0CP003X

tav. 1

cat. 18.C3372

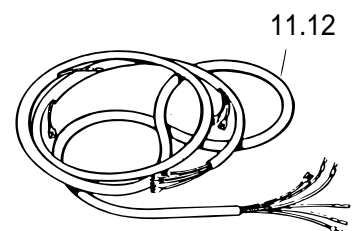
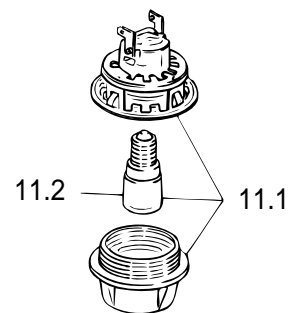
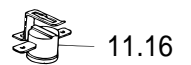
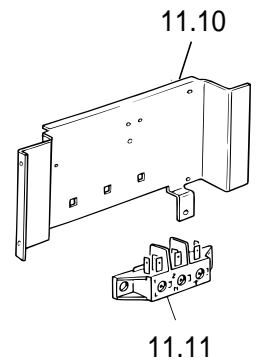
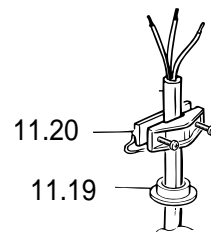
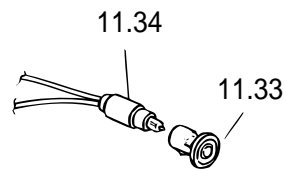
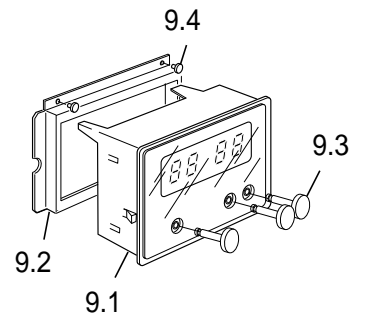
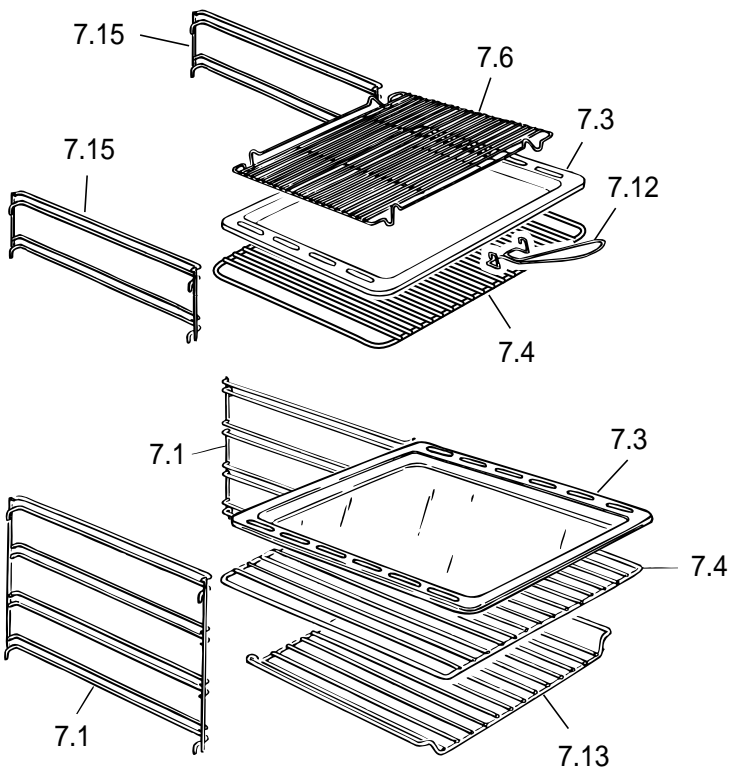
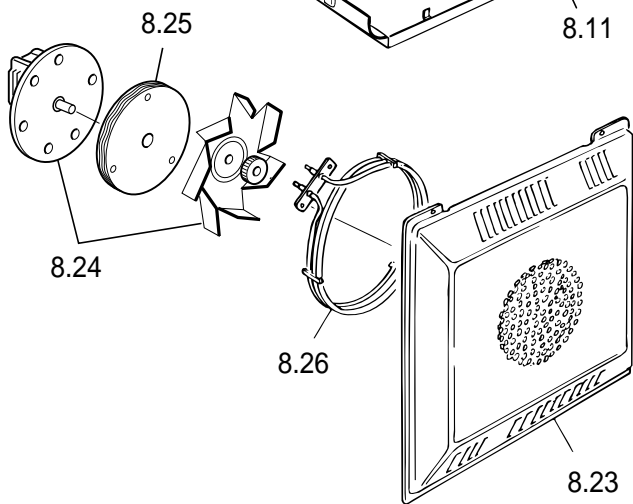
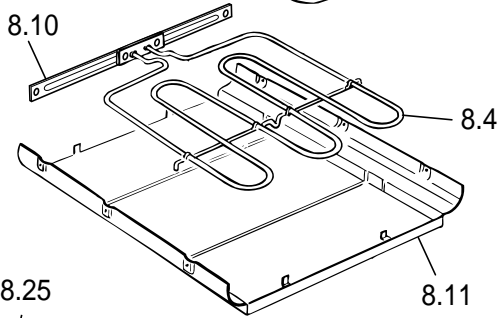
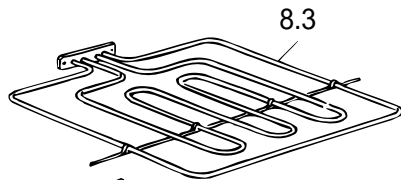
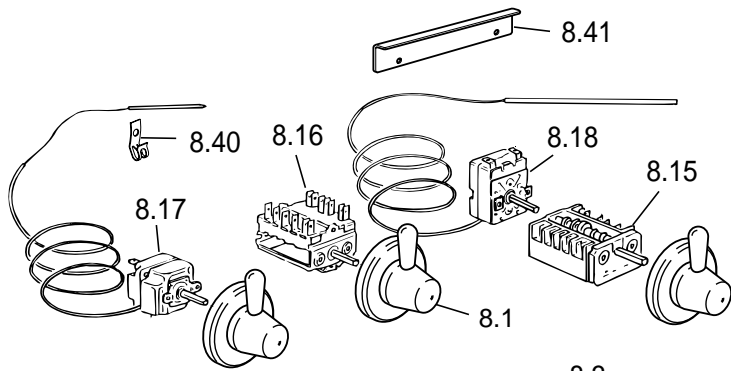


REF.	CODE	DESCRIPTION	REF.	CODE	DESCRIPTION
2.1	355VC6123	Glass with frame	5.1	032611738G	Bottom oven outer glass
2.3	001132	Screw	5.2	103198	Silicone washer
2.4	003060	Snap ring	5.3	037215062	Handle
2.5	211022	Pivot	5.4	085069	Sleeve
2.6	103572	Rear spacing	5.6	001184	Screw
2.8	035075	Spring	5.7	030097.1	Bottom oven door insulation
2.9	085043	Spacer	5.8	063118	Bottom oven hinge (male)
2.10	001111	Screw	5.9	063025	Bottom oven hinge (female)
2.11	2185002294	Knob	5.10	373FF706K	Bottom oven door skin
2.14	050021/E	Switch	5.11	053084	Bottom oven glass seal
2.15	050019004	Energy regulator	5.12	0311000.1T	Bottom oven inner glass
2.22	04760230	Halogen hotplate Ø 210 - 2200W	5.13	411F729	Bottom oven insulation support
2.23	04716230	Quick-light star hotplate Ø 180 - 1700W	5.14	214021	Nut with clips
2.24	04714230	Quick-light star hotplate Ø 145 - 1200W		0312039	Third glass
2.25	073045	Control lamp	5.15	001214	Screw
2.26	51B6113	Hotplates support		51B5616	Glass support
4.1	450UM1EV11	Bottom oven cube	5.16	003035	Silicone washer
4.2	040011	Buffer	5.17	103205	Inner glass washer
4.3	411CUM09	Control panel support	5.21	003030	Washer
4.4	450UM1ES14	Top oven cube	5.22	373FUM03K	Top oven door skin
4.5	030092.1	Bottom oven insulation	5.23	030064.1	Top oven door insulation
4.6	094354DX	Rear right coupler	5.24	0311086.1T	Top oven inner glass
4.7	094354SX	Rear left coupler	5.25	053086	Top oven glass seal
4.8	030028.1	Bottom oven rear insulation	5.26	063065	Top oven hinge (male)
4.9	030065.1	Top oven rear insulation	5.27	063066	Top oven hinge (female)
4.10	030066.1	Top oven insulation	5.28	411UM05	Top oven insulation support
4.11	09424801M	Right front trim	5.29	032UM1739C	Top oven outer glass
4.12	09424901M	Left front trim			
4.13	053039	Bottom oven seal			
4.14	094333DX	Front right coupler			
4.15	094333SX	Front left coupler			
4.16	103174	Shim			
4.17	421FG01Z	Upper shelter			
4.18	411CUM08	Upper rear panel			
4.19	094246.1	Rear trim			
4.20	053074	Top/bottom seal			
4.21	51BUM01	Shield			
4.22	411UM10	Rear panel			
4.23	4216003Z	Insulation cross-piece			
4.24	36CUMS1S	Left side panel			
4.25	36CUMD1S	Right side panel			
4.27	411UM04	Shelter			
4.28	053052	Top oven seal			
4.29	411CUM04	Bottom panel			
4.30	081083/NS	Right front trim plug			
4.31	081084/NS	Left front trim plug			
4.37	411CUM03	Bottom side bar			
4.40	094069	Switch/Thermostat stirrup			
4.41	46ACUM01Z	Funnel			
4.42	46ACUM02Z	Air conveyor			
4.43	079029	Tangential fan			
3.1	35C65B7SCP	Control panel			
3.5	213012	Clips			
3.8	213007	Clips			

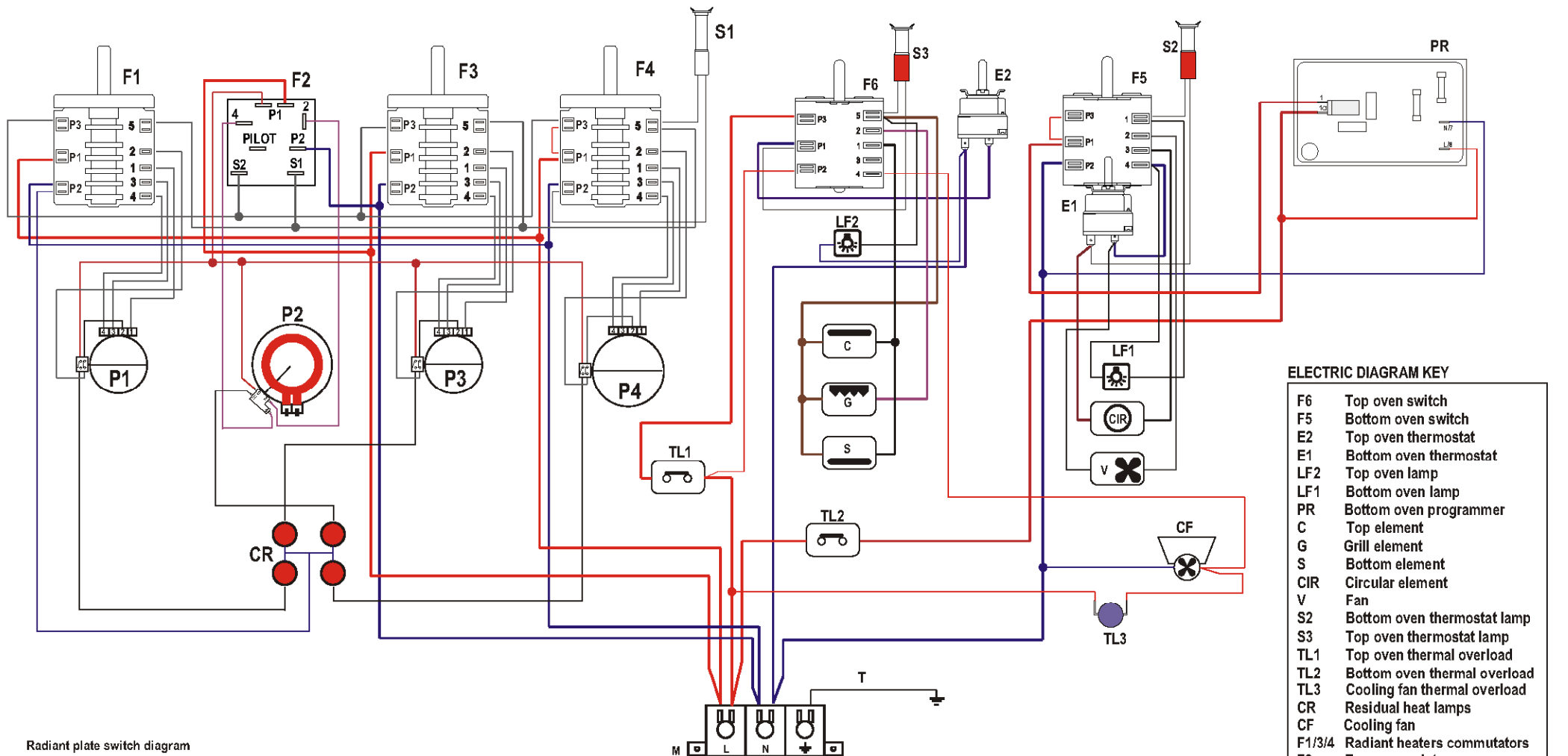
# C 5220/1

CUM0CP003X

tav. 2  
cat. 18.C3372



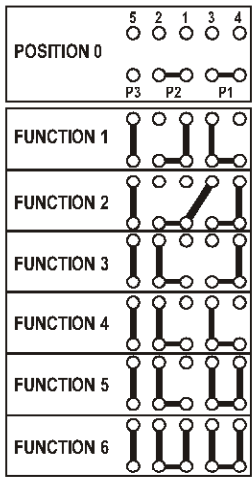
REF.	CODE	DESCRIPTION
7.1	217291	Shelf support
7.3	48B6101K	Oven tray
7.4	217270.1	Wire shelf
7.6	217397	Grill-pan grid
7.12	037144	Grill-pan grid handle
7.13	217271	Wire shelf
7.15	217367	Shelf support
8.1	2185002294	Oven knob
8.3	062072004	Top + grill element - 230 V
8.4	062058004A	Bottom element - 230 V
8.10	094207	Bottom element fixing bar
8.11	421F701Z	Element shelter
8.15	050045	Switch
8.16	050040.1	Switch
8.17	066078	Thermostat
8.18	066072	Thermostat
8.23	47AN601K	Fan diffuser
8.24	079008001F	Fan motor - 220/240 V
8.25	030136.1	Fan motor insulation
8.26	062057004	Fan element - 230 V
8.40	213015	Clip
=	213023	Clip
8.41	094289	Bulb thermostat protection
9.1	074055	Electronic timer
9.2	094362	Electronic timer seal
9.3	103271080	Button (Black)
9.4	040011	Rubber
11.1	072004	Lamp holder
11.2	073013001	Lamp
11.10	094162	Terminal bracket
11.11	051038	Terminal block
11.12	1131530	Wiring
11.16	066057	Cut-off thermostat 140°
=	066068	Cut-off thermostat 130°
=	066080	Cut-off thermostat 55°
11.19	052007	Anti-shock
11.20	052008	Wire fastener
11.33	073034	Control lamp cover - Orange
=	073035	Control lamp cover - Red
11.34	073038.2	Control lamp - L = 200 mm
-	1102353	Instruction booklet



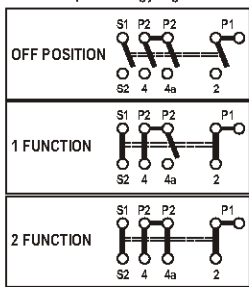
**ELECTRIC DIAGRAM KEY**

F6	Top oven switch
F5	Bottom oven switch
E2	Top oven thermostat
E1	Bottom oven thermostat
LF2	Top oven lamp
LF1	Bottom oven lamp
PR	Bottom oven programmer
C	Top element
G	Grill element
S	Bottom element
CIR	Circular element
V	Fan
S2	Bottom oven thermostat lamp
S3	Top oven thermostat lamp
TL1	Top oven thermal overload
TL2	Bottom oven thermal overload
TL3	Cooling fan thermal overload
CR	Residual heat lamps
CF	Cooling fan
F1/3/4	Radiant heaters commutators
F2	Energy regulator
S1	Radiant/alogen heaters lamp
P1/3/4	Radiant heaters
P2	Halogen heater
M	Terminal block
T	Heart connection

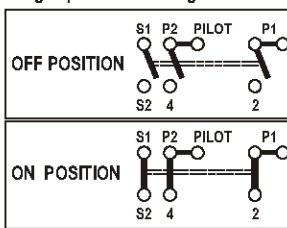
Radiant plate switch diagram



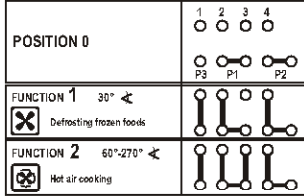
Double hotplate energy regulator



Alologen plate switch diagram



Bottom main oven diagram



**C5220**

Cape 600 f/s cooker CERAMIC