



C5220

Caple 600 f/s cooker CERAMIC

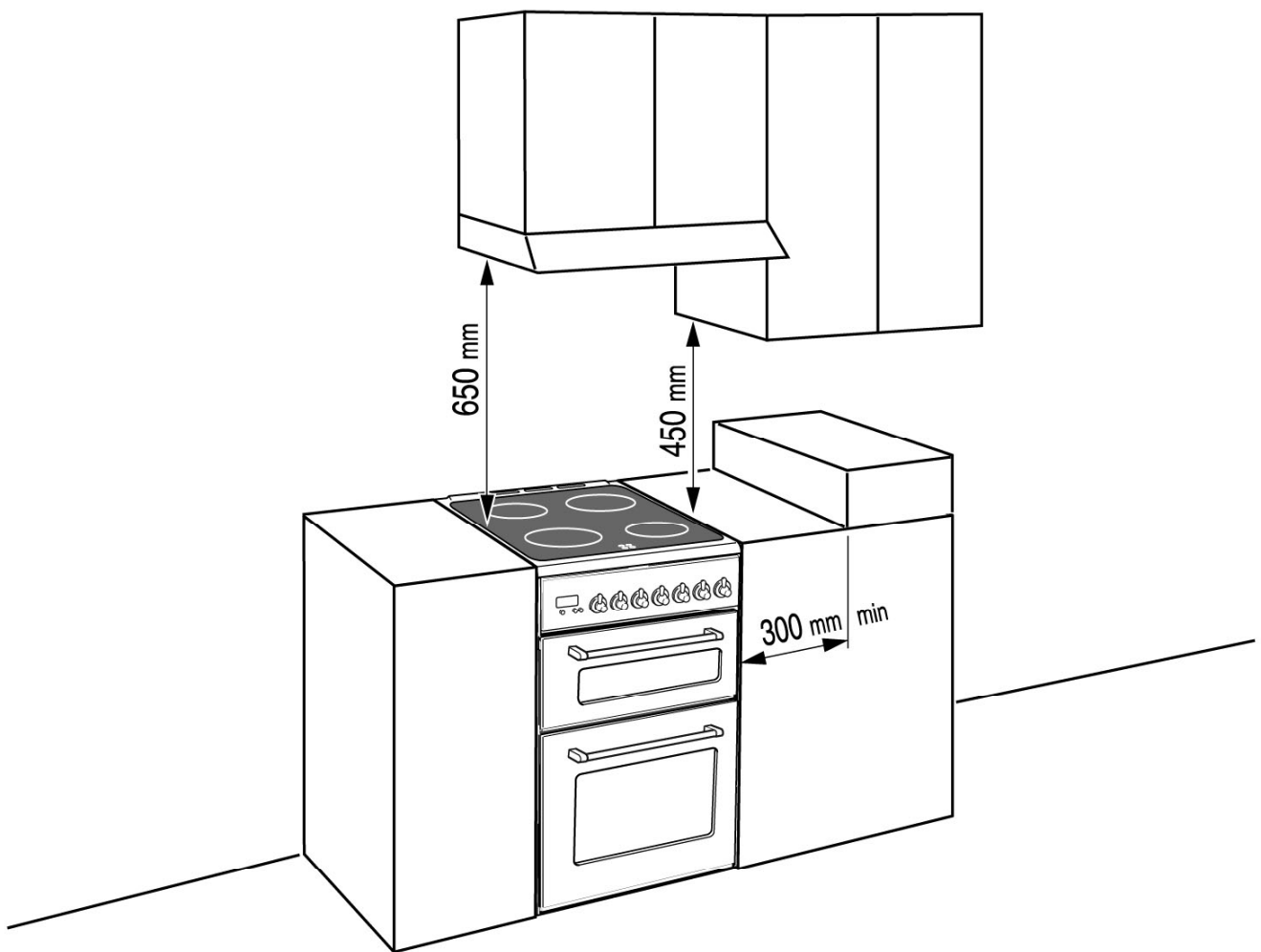


TECHNICAL INFORMATION



C5220

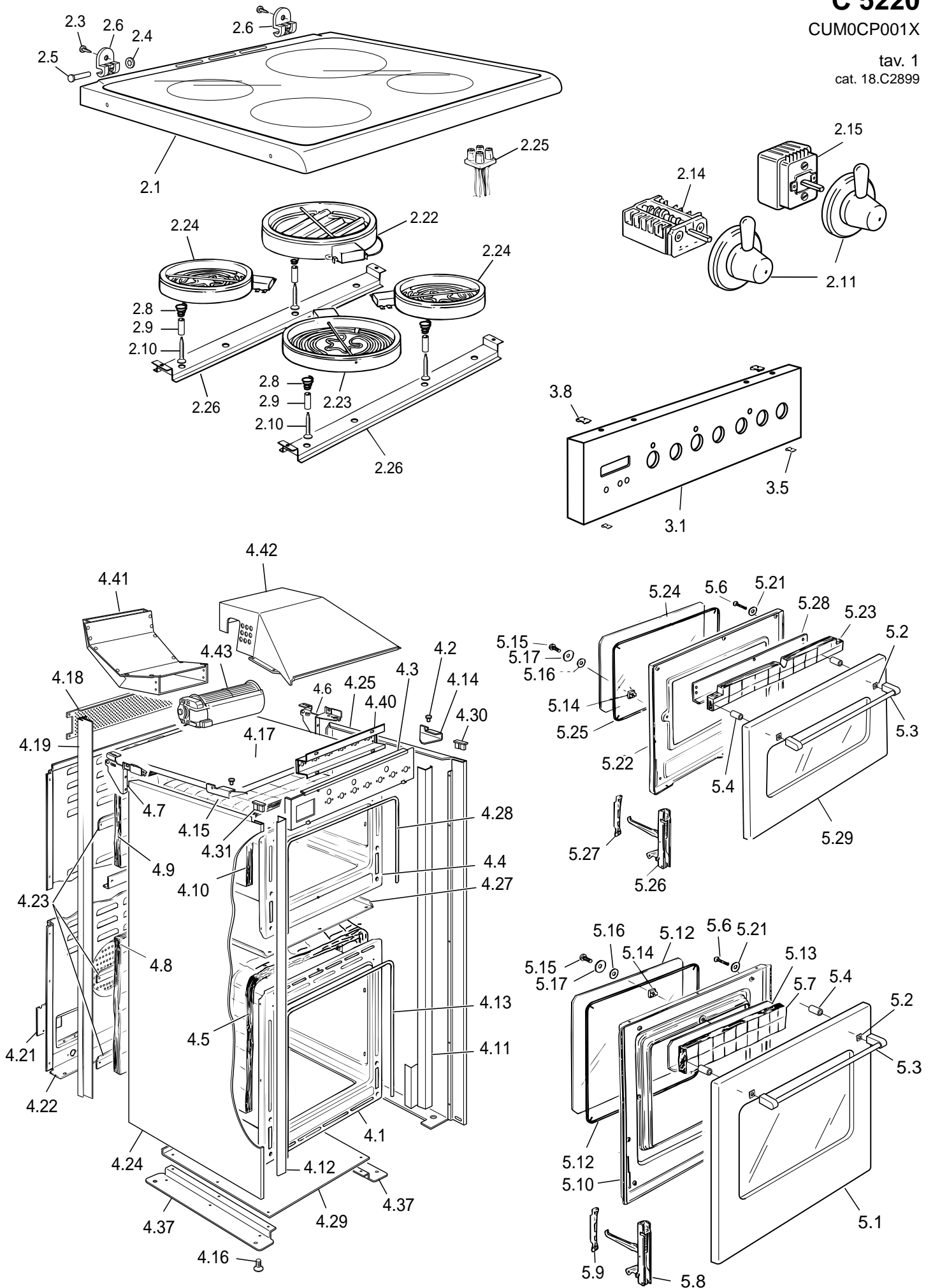
Caple 600 f/s cooker CERAMIC



C 5220

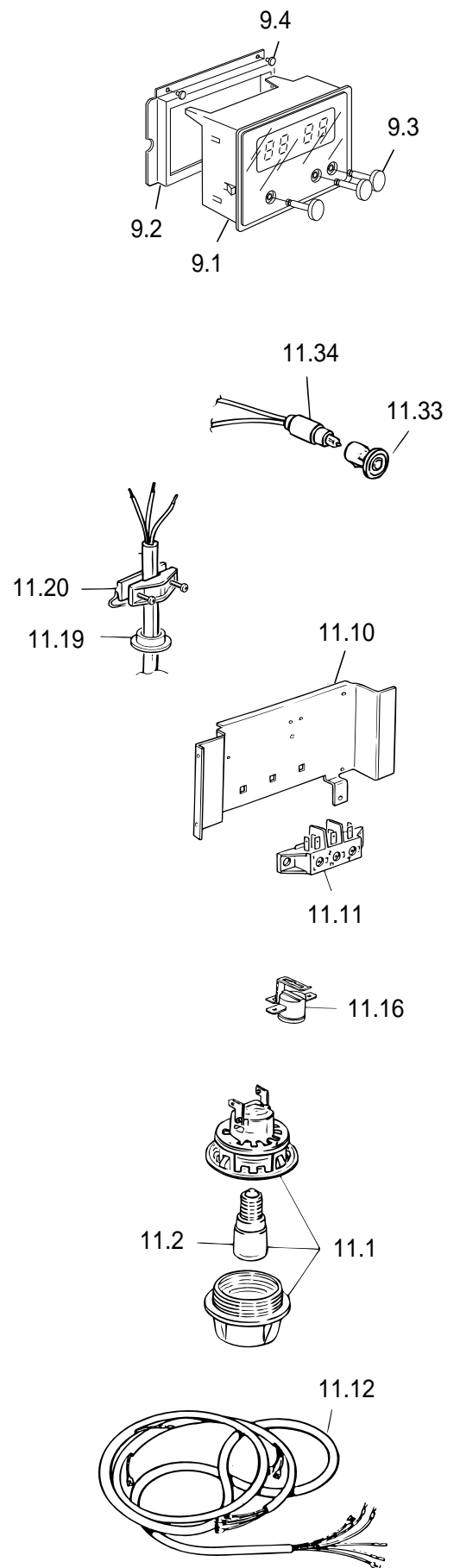
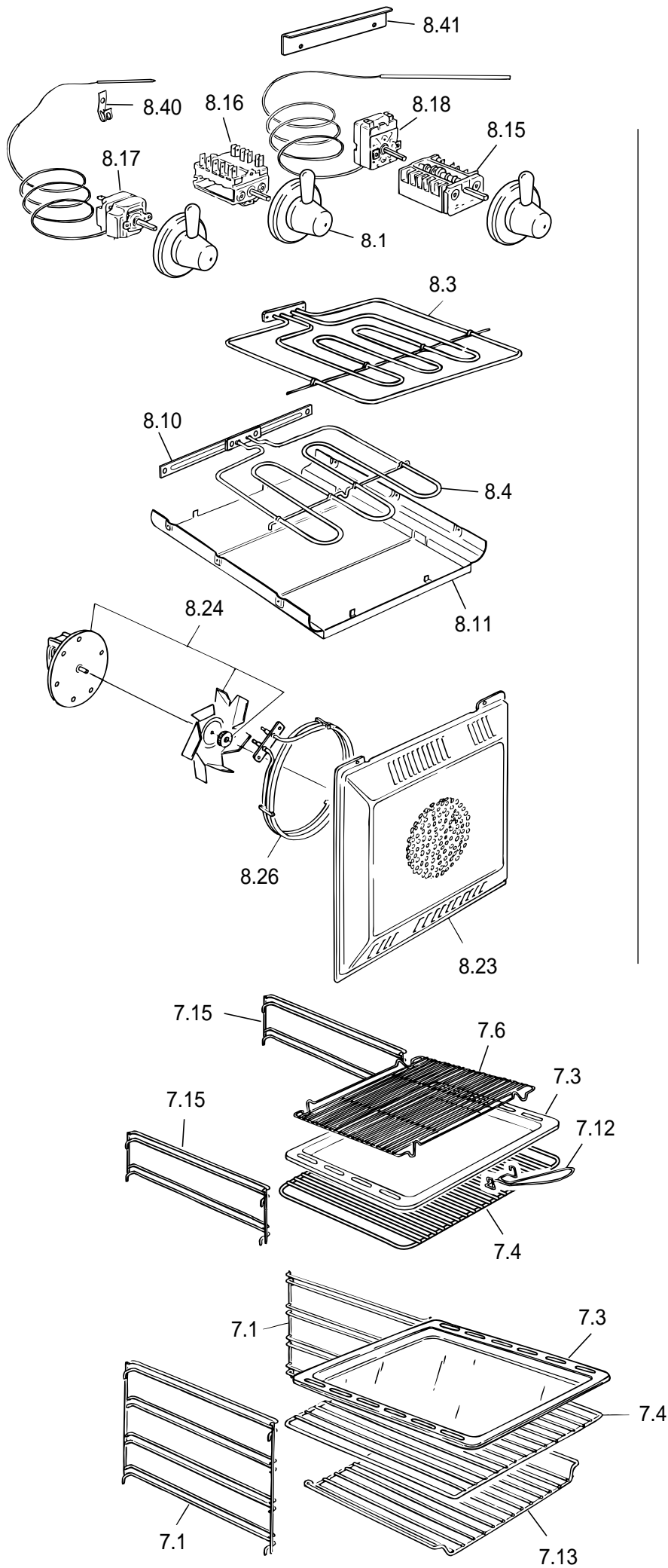
CUM0CP001X

tav. 1
cat. 18.C2899

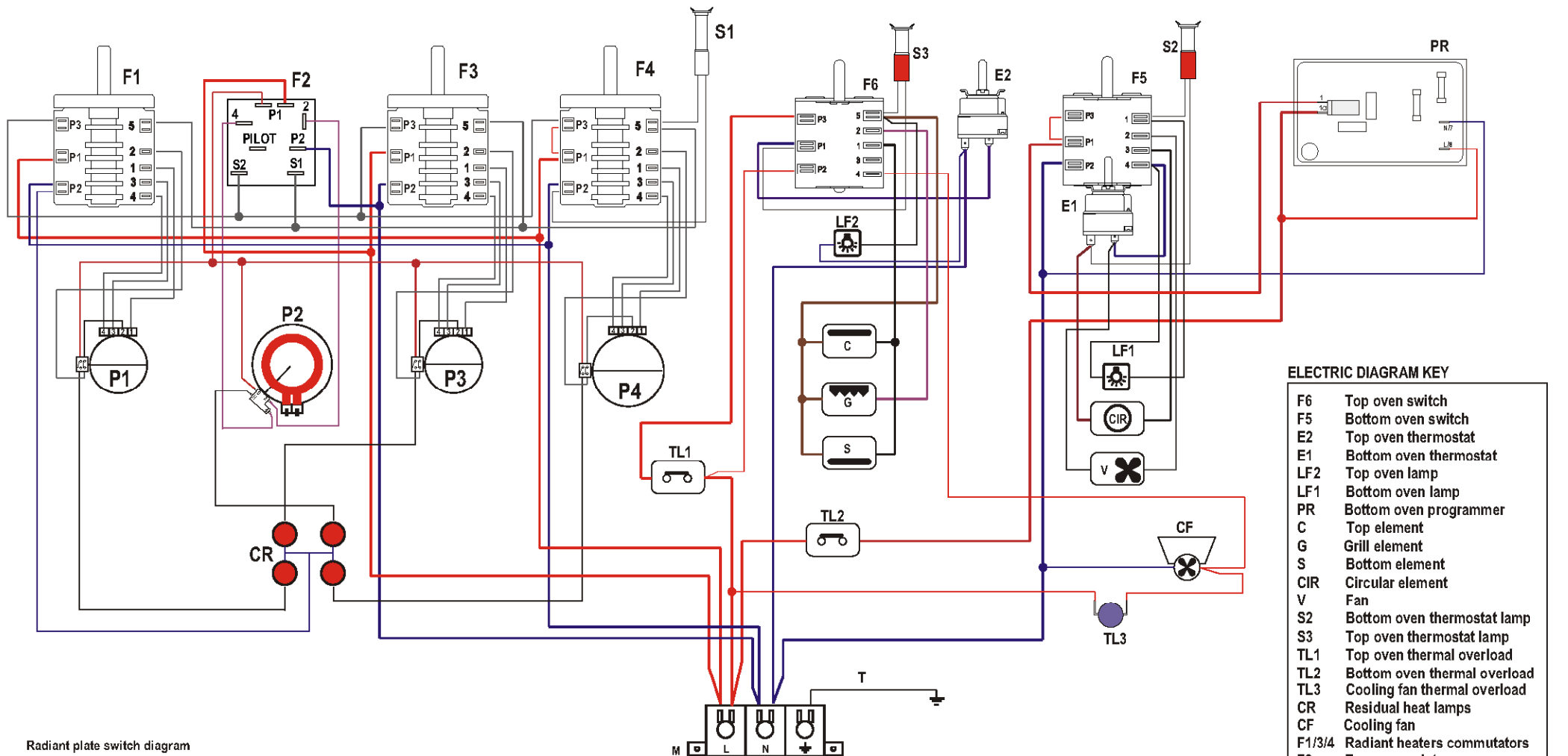


REF.	CODE	DESCRIPTION
2.1	355VC6123	Glass with frame
2.3	001132	Screw
2.4	003060	Snap ring
2.5	211022	Pivot
2.6	103572	Rear spacing
2.8	035075	Spring
2.9	085043	Spacer
2.10	001111	Screw
2.11	2185002294	Knob
2.14	050021/E	Switch
2.15	050019004	Energy regulator
2.22	04760230	Halogen hotplate Ø 210 - 2200W
2.23	04716230	Quick-light star hotplate Ø 180 - 1700W
2.24	04714230	Quick-light star hotplate Ø 145 - 1200W
2.25	073045	Control lamp
2.26	51B6113	Hotplates support
4.1	450UM1EV11	Bottom oven cube
4.2	040011	Buffer
4.3	411CUM09	Control panel support
4.4	450UM1ES14	Top oven cube
4.5	030092.1	Bottom oven insulation
4.6	094354DX	Rear right coupler
4.7	094354SX	Rear left coupler
4.8	030028.1	Bottom oven rear insulation
4.9	030065.1	Top oven rear insulation
4.10	030066.1	Top oven insulation
4.11	09424801M	Right front trim
4.12	09424901M	Left front trim
4.13	053039	Bottom oven seal
4.14	094333DX	Front right coupler
4.15	094333SX	Front left coupler
4.16	103174	Shim
4.17	421FG01Z	Upper shelter
4.18	411CUM08	Upper rear panel
4.19	094246.1	Rear trim
4.21	51BUM01	Shield
4.22	411UM10	Rear panel
4.23	4216003Z	Insulation cross-piece
4.24	36CUMS1S	Left side panel
4.25	36CUMD1S	Right side panel
4.27	411UM04	Shelter
4.28	053052	Top oven seal
4.29	411CUM04	Bottom panel
4.30	081083/NS	Right front trim plug
4.31	081084/NS	Left front trim plug
4.37	411CUM03	Bottom side bar
4.40	094069	Switch/Thermostat stirrup
4.41	46ACUM01Z	Funnel
4.42	46ACUM02Z	Air conveyor
4.43	079029	Tangential fan
3.1	35C65B7SCP	Control panel
3.5	213012	Clips
3.8	213007	Clips

REF.	CODE	DESCRIPTION
5.1	032611738G	Bottom oven outer glass
5.2	103198	Silicone washer
5.3	037215062	Handle
5.4	085069	Sleeve
5.6	001184	Screw
5.7	030057.1	Bottom oven door insulation
5.8	063103	Bottom oven hinge (male)
5.9	063025	Bottom oven hinge (female)
5.10	373FF706K	Bottom oven door skin
5.11	053084	Bottom oven glass seal
5.12	0311000.1T	Bottom oven inner glass
5.13	411F729	Bottom oven insulation support
5.14	214021	Nut with clips
5.15	001214	Screw
5.16	003035	Silicone washer
5.17	103205	Inner glass washer
5.21	003030	Washer
5.22	373FUM03K	Top oven door skin
5.23	030064.1	Top oven door insulation
5.24	0311086.1T	Top oven inner glass
5.25	053086	Top oven glass seal
5.26	063065	Top oven hinge (male)
5.27	063066	Top oven hinge (female)
5.28	411UM05	Top oven insulation support
5.29	032UM1739C	Top oven outer glass



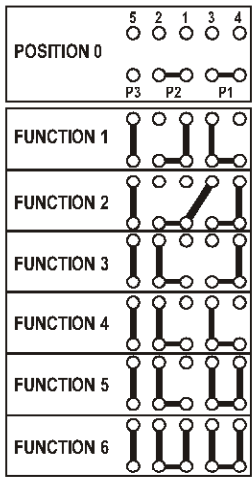
REF.	CODE	DESCRIPTION
7.1	217291	Shelf support
7.3	48B6101K	Oven tray
7.4	217270.1	Wire shelf
7.6	217397	Grill-pan grid
7.12	037144	Grill-pan grid handle
7.13	217271	Wire shelf
7.15	217367	Shelf support
8.1	2185002294	Oven knob
8.3	062072004	Top + grill element - 230 V
8.4	062058004A	Bottom element - 230 V
8.10	094207	Bottom element fixing bar
8.11	421F701Z	Element shelter
8.15	050045	Switch
8.16	050040.1	Switch
8.17	066078	Thermostat
8.18	066072	Thermostat
8.23	47AN601K	Fan diffuser
8.24	079008001F	Fan motor - 220/240 V
8.26	062057004	Fan element - 230 V
8.40	213015	Clip
=	213023	Clip
8.41	094289	Bulb thermostat protection
9.1	074055	Electronic timer
9.2	094362	Electronic timer seal
9.3	103271080	Button (Black)
9.4	040011	Rubber
11.1	072004	Lamp holder
11.2	073013001	Lamp
11.10	094162	Terminal bracket
11.11	051038	Terminal block
11.12	1131530	Wiring
11.16	066057	Cut-off thermostat 140°
=	066068	Cut-off thermostat 130°
=	066080	Cut-off thermostat 550°
11.19	052007	Anti-shock
11.20	052008	Wire fastener
11.33	073034	Control lamp cover - Orange
=	073035	Control lamp cover - Red
11.34	073038.2	Control lamp - L = 200 mm
-	1102100	Instruction booklet



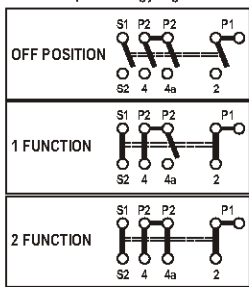
ELECTRIC DIAGRAM KEY

F6	Top oven switch
F5	Bottom oven switch
E2	Top oven thermostat
E1	Bottom oven thermostat
LF2	Top oven lamp
LF1	Bottom oven lamp
PR	Bottom oven programmer
C	Top element
G	Grill element
S	Bottom element
CIR	Circular element
V	Fan
S2	Bottom oven thermostat lamp
S3	Top oven thermostat lamp
TL1	Top oven thermal overload
TL2	Bottom oven thermal overload
TL3	Cooling fan thermal overload
CR	Residual heat lamps
CF	Cooling fan
F1/3/4	Radiant heaters commutators
F2	Energy regulator
S1	Radiant/alogen heaters lamp
P1/3/4	Radiant heaters
P2	Halogen heater
M	Terminal block
T	Heart connection

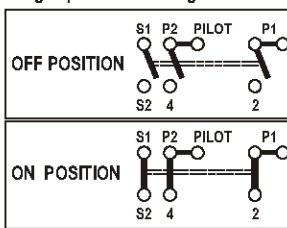
Radiant plate switch diagram



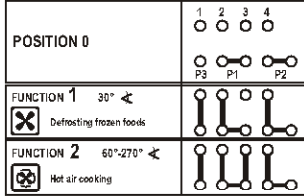
Double hotplate energy regulator



Alologen plate switch diagram



Bottom main oven diagram



C5220

Cape 600 f/s cooker CERAMIC