



C5210

**Caple 600 cooker with GAS hob
Freestanding**

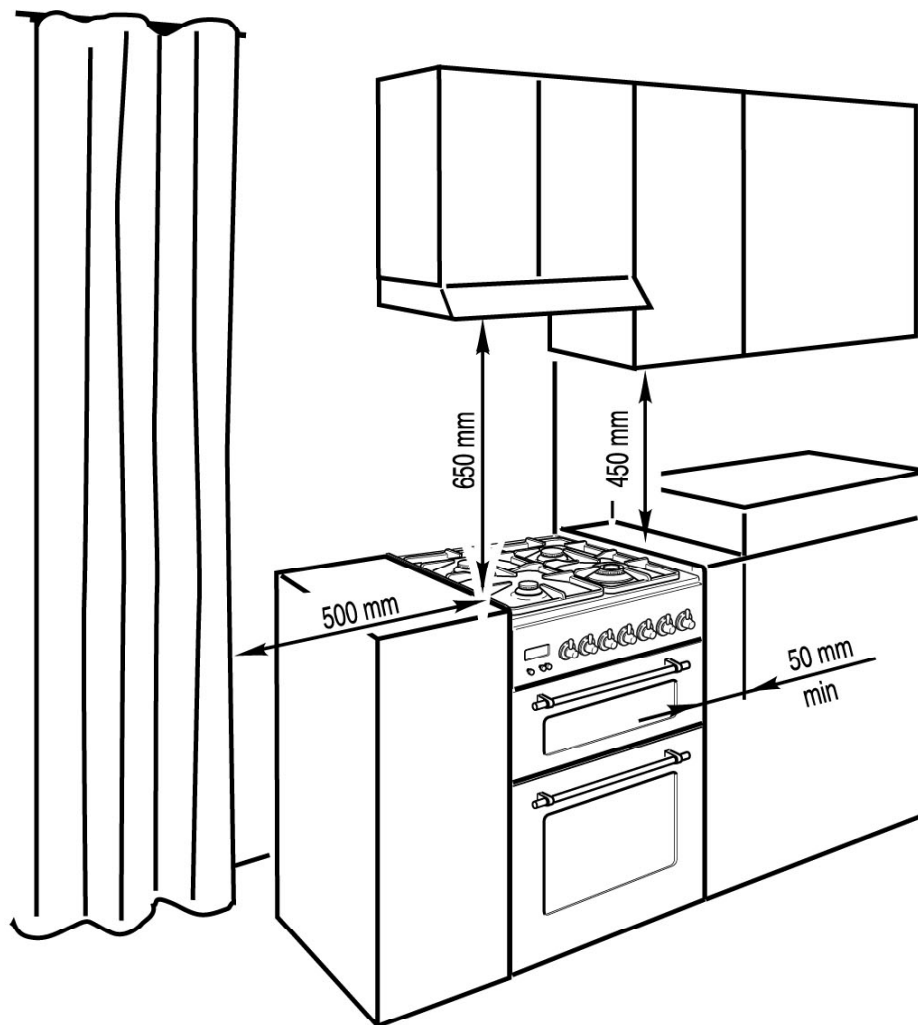


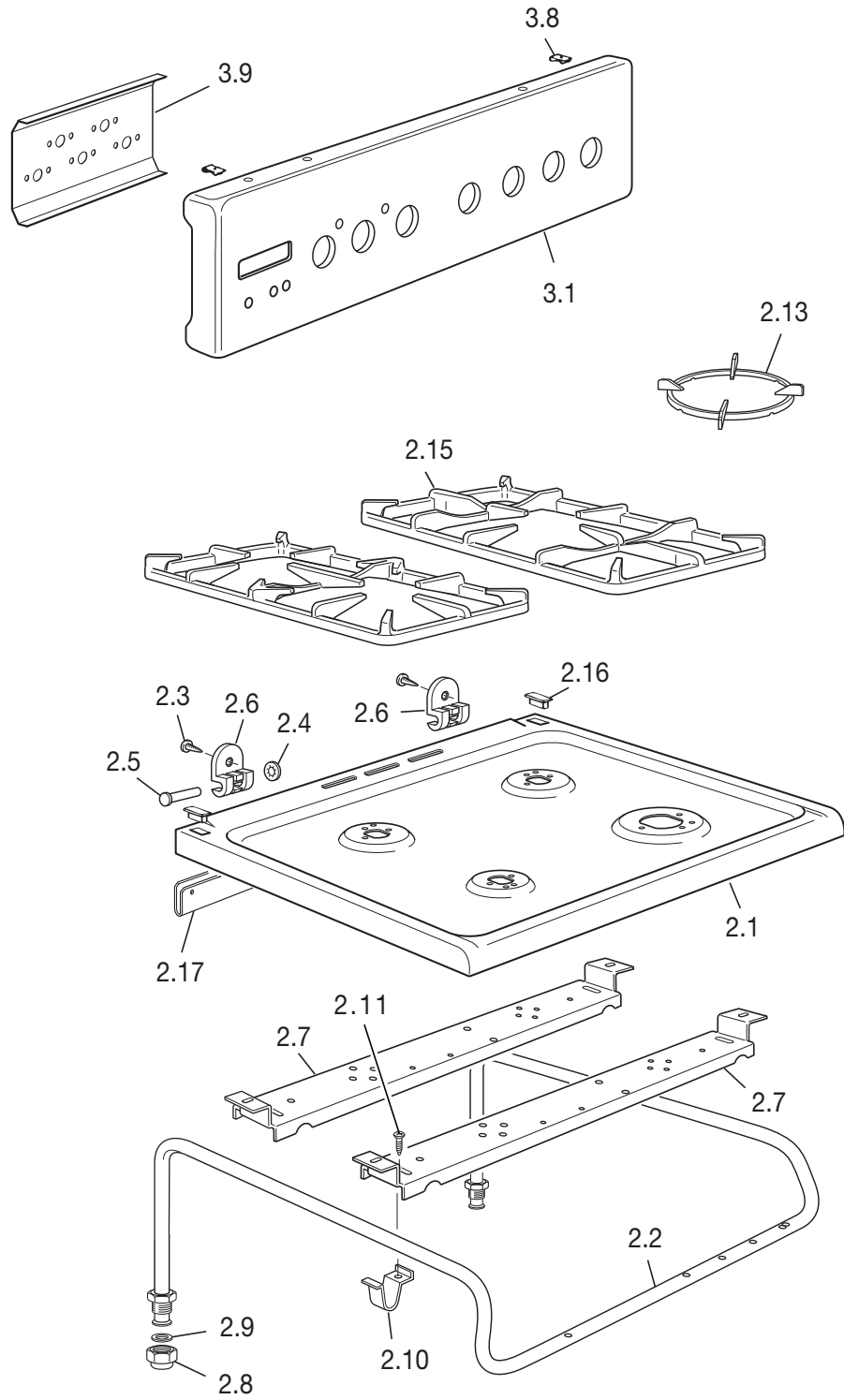
TECHNICAL INFORMATION



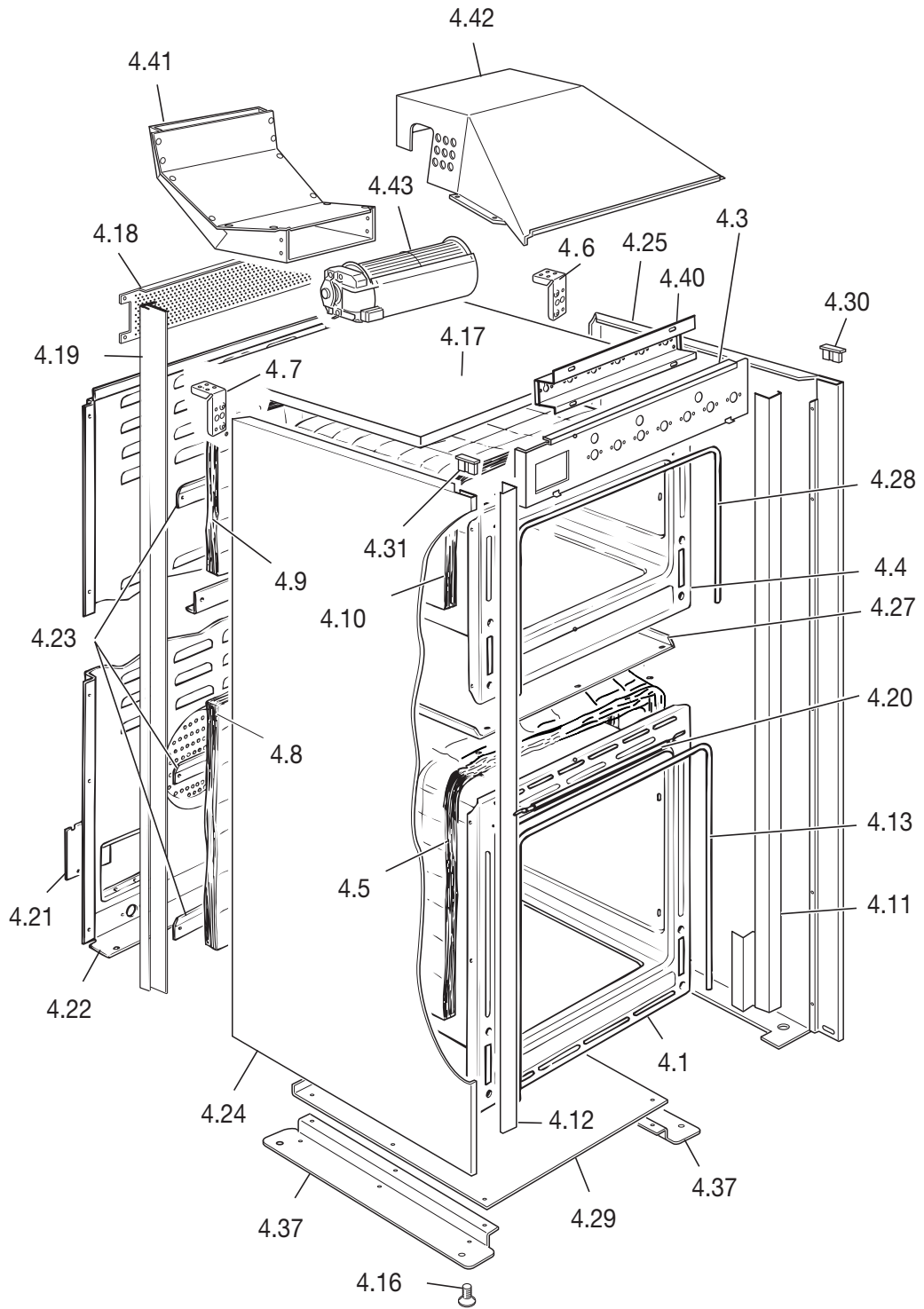
C5210

Caple 600 cooker with GAS hob
Freestanding

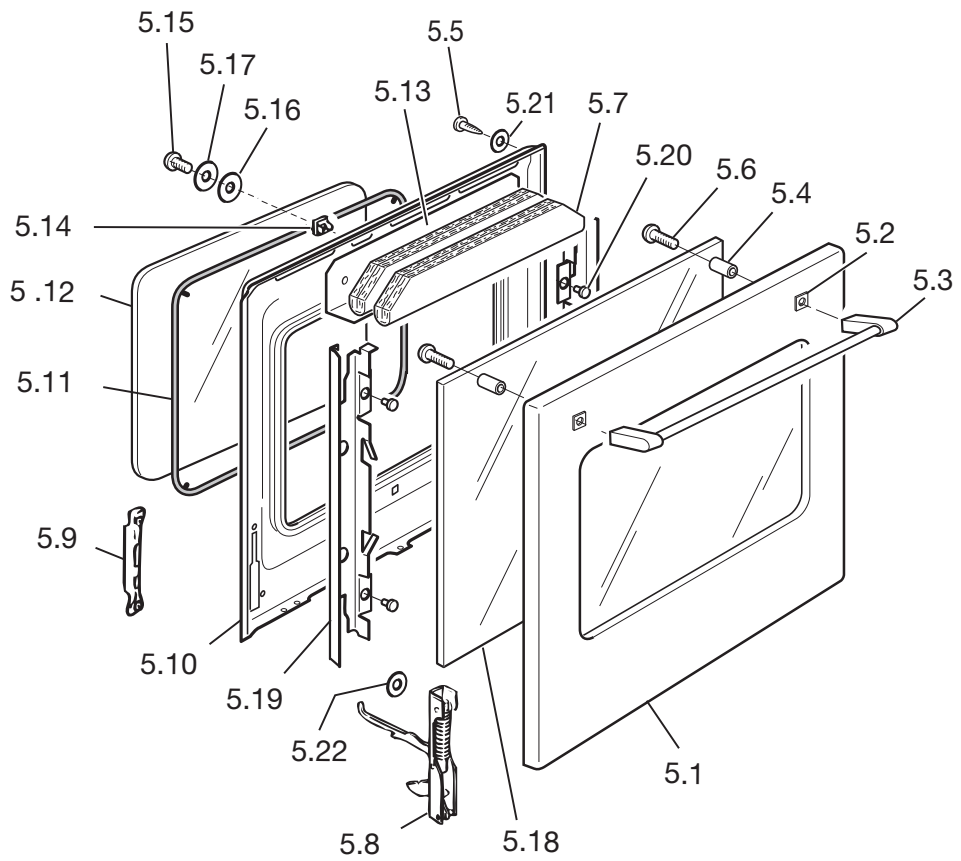
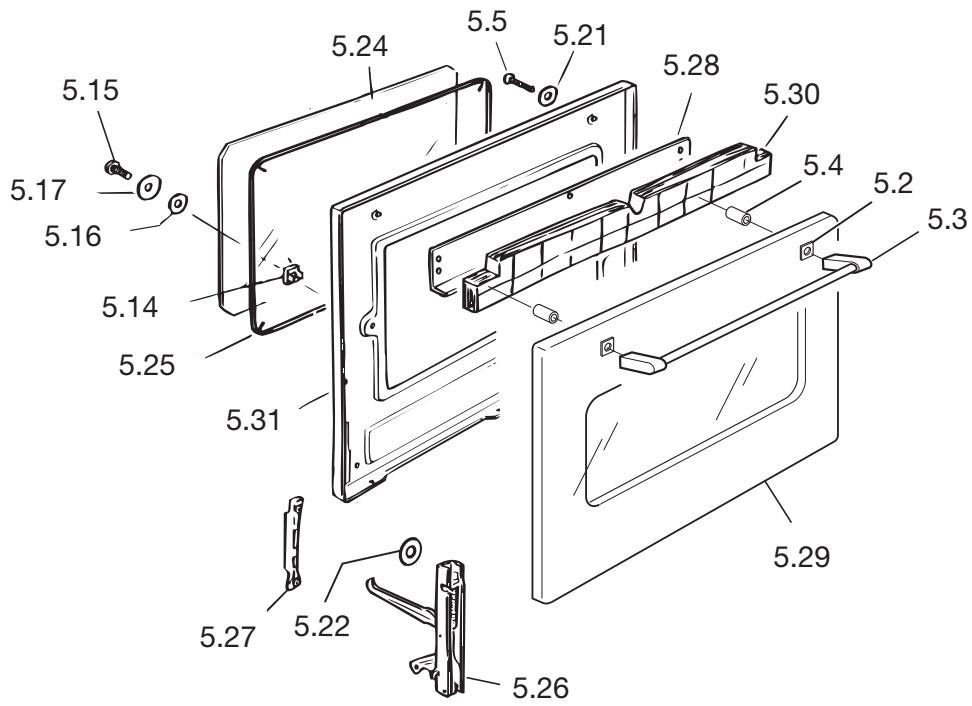




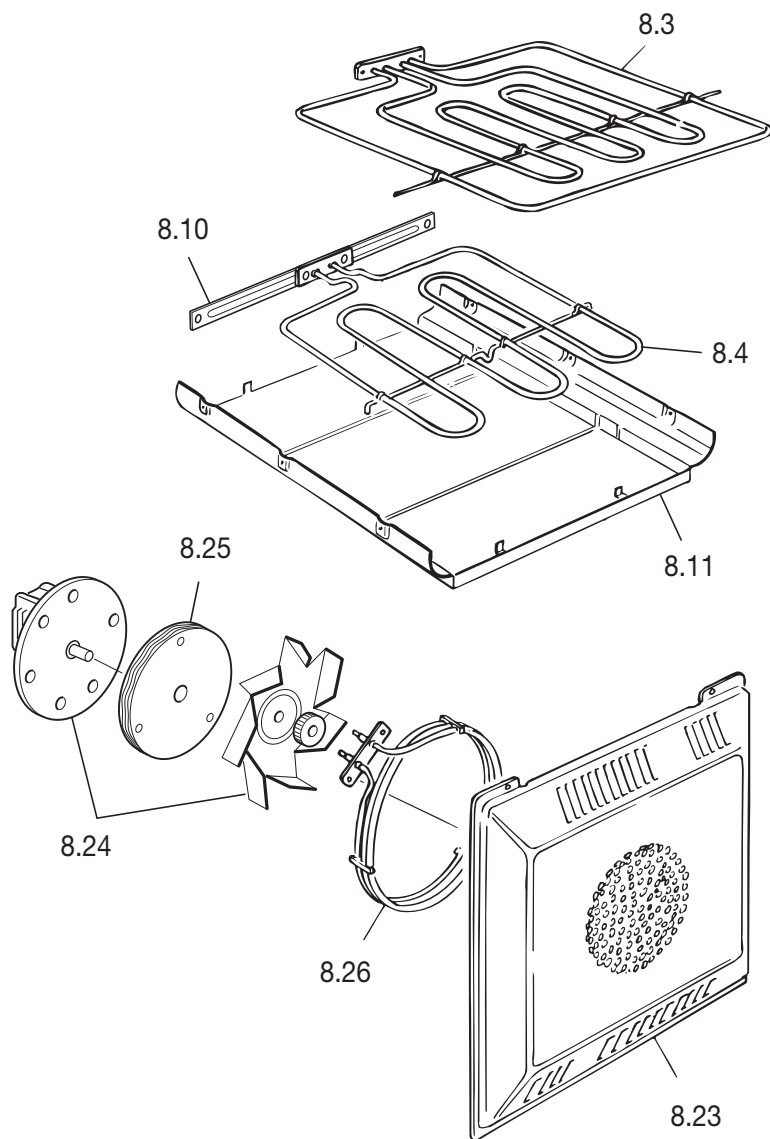
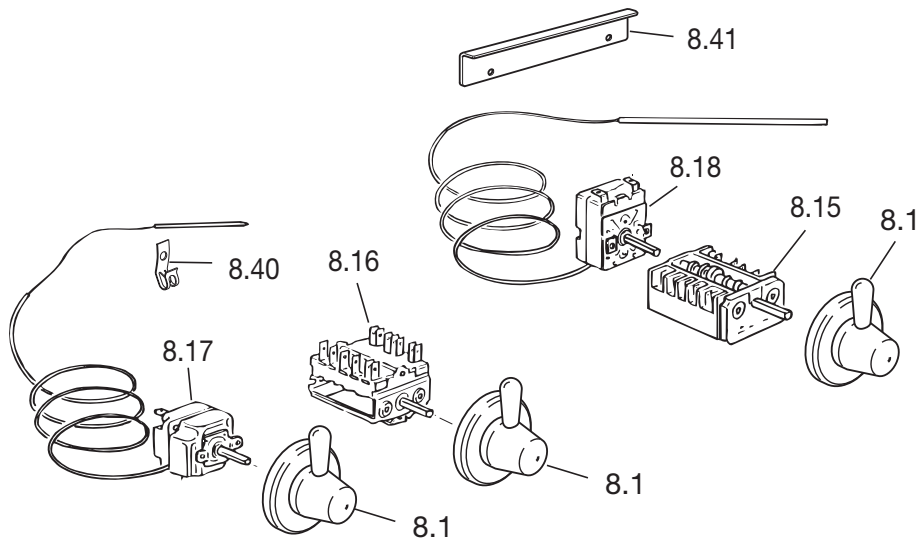
Ref.	Part description	Product code	
		CUM0CP005X	
		Feature	Part code
2.1	Cooktop		3316N402S
2.2	Manifold		3426N40002
2.3	Screw		001057
2.4	Snap ring		003060
2.5	Pivot		211022
2.6	Rear spacing		103572
2.7	Burners support		51B6N01
2.8	Inlet pipe plug		027015
2.9	Gasket		053024.1
2.10	Fixing plate		094254
2.11	Screw		001008
2.13	Wok grid		217498
2.15	Pan-support		217531
2.16	Plug		103298/NS
2.17	Rear protection		103603
3.1	Control panel		35C6P10SCP
3.8	Clip		213007
3.9	Switch fixing plate		094440



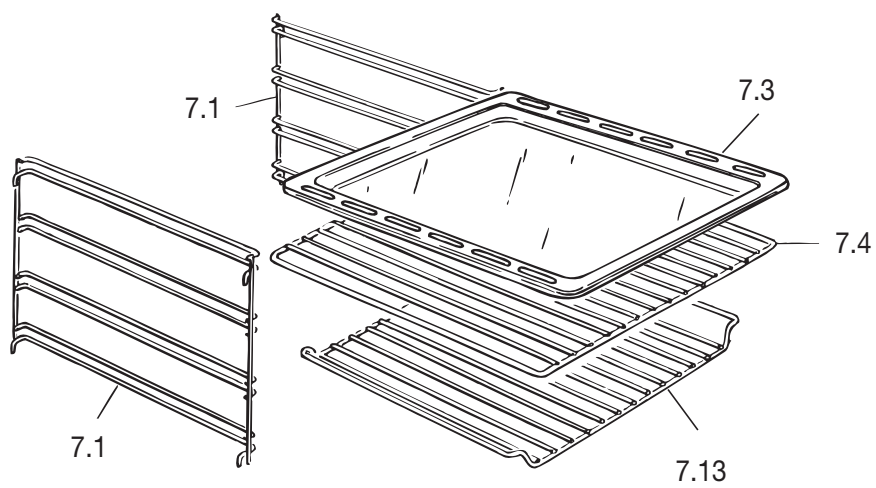
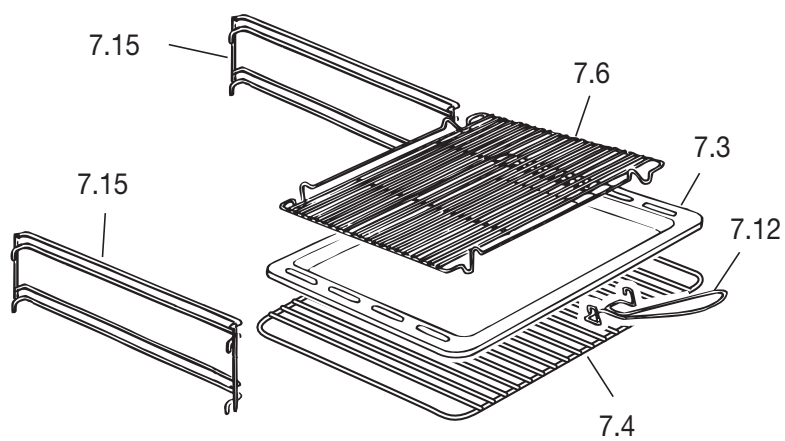
Ref.	Part description	Product code	
		CUM0CP005X	
		Feature	Part code
4.1	Bottom oven cube		450UM1EV11
4.2	Buffer		040011
4.3	Control panel trim		09443900M
4.4	Top oven cube		450UM1ES14
4.5	Bottom oven insulation		030092.1
4.6	Rear right coupler		094354DX
4.7	Rear left coupler		094354SX
4.8	Bottom oven rear insulation		030028.1
4.9	Top oven rear insulation		030065.1
4.10	Top oven insulation		030066.1
4.11	Right front trim		09424801M
4.12	Left front trim		09424901M
4.13	Bottom oven seal		053039
4.14	Front right coupler		094333DX
4.15	Front left coupler		094333SX
4.16	Shim		103174
4.17	Upper shelter		421FG01Z
4.18	Upper rear panel		411CUM07
4.19	Rear trim		094246.1
4.20	Top/bottom seal		053074
4.21	Shield		51BUM01
4.22	Rear panel		411UM10
4.23	Insulation cross-piece		4216003Z
4.24	Left side panel		36CUMS1S
4.25	Right side panel		36CUMD1S
4.27	Shelter		411UM04
4.28	Top oven seal		053052
4.29	Bottom panel		411CUM04
4.30	Right front trim plug		081083/NS
4.31	Left front trim plug		081084/NS
4.37	Bottom side bar		411CUM03
4.40	Switch/Thermostat stirrup		094069
4.41	Funnel		46ACUM01Z
4.42	Air conveyor		46ACUM02Z
4.43	Tangential fan		079029



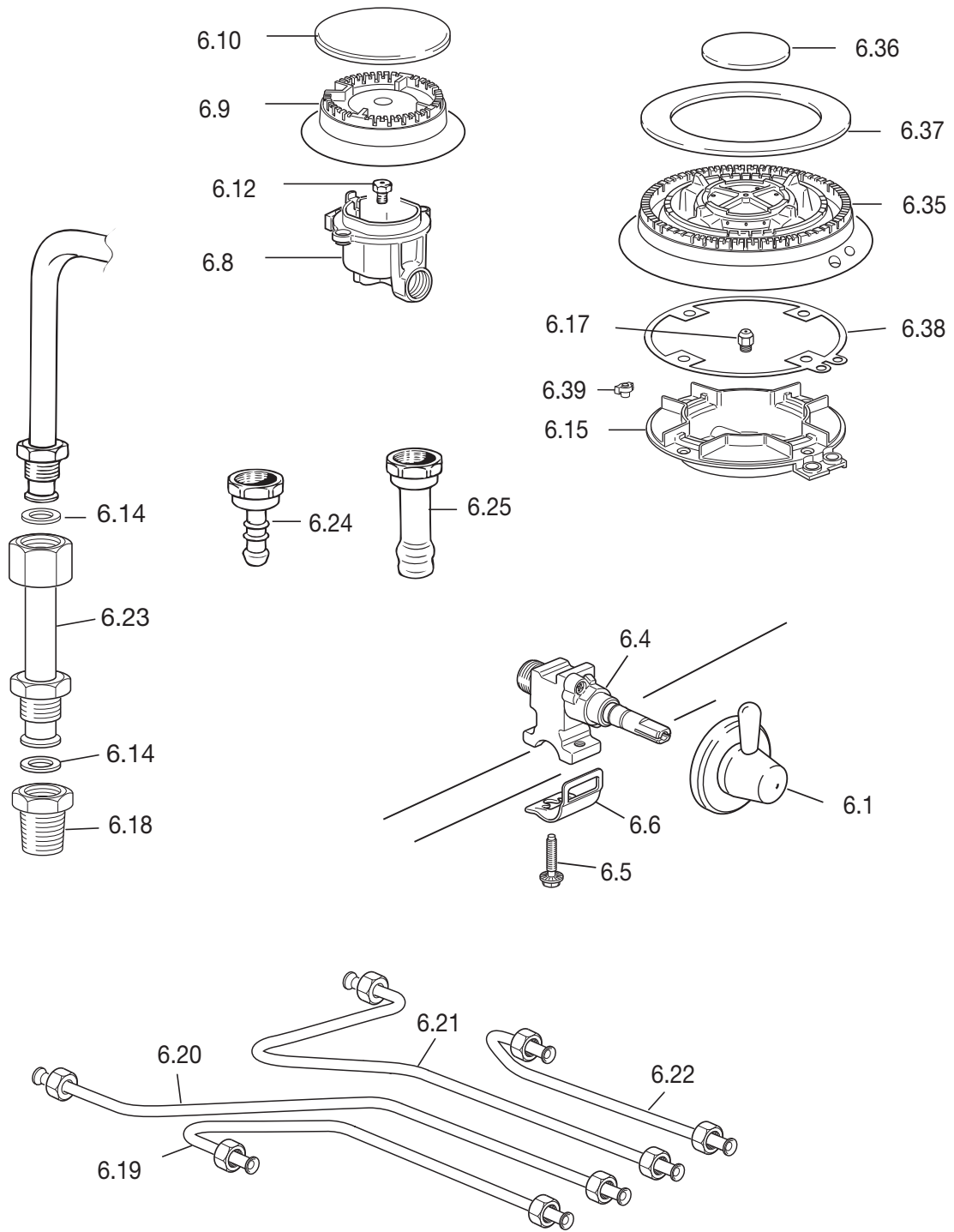
Ref.	Part description	Product code	
		CUM0CP005X	
		Feature	Part code
5.1	Door glass		032611738G
5.2	Washer		103198
5.3	Door handle		037215062
5.4	Door handle sleeve		085069
5.5	Screw M5x16		001184
5.7	Door insulation		030097.1
5.8	Door hinge (male)		063118
5.9	Door hinge (female)		063025
5.10	Door panel		373FF706K
5.11	Gasket		053084
5.12	Inner glass		0311000.1T
5.13	Oven insulation support		411F729
5.14	Nut		214021
5.15	Screw		001214
5.16	Silicone washer		003035
5.17	Inner glass washer		103205
5.18	Third glass		0312039
5.19	Inner glass support		51B5616
5.20	Third glass rubber		040056
5.21	Washer		003041
5.22	Washer		003030
5.24	Top oven inner glass		0311086.1T
5.25	Top oven glass seal		053086
5.26	Top oven hinge (male)		063065
5.27	Top oven hinge (female)		063066
5.28	Top oven insulation support		411UM05
5.29	Top oven outer glass		032UM1739C
5.30	Top oven door insulation		030064.1
5.31	Top oven inner door panel		373FUM03K



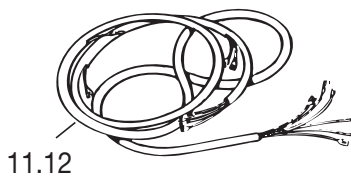
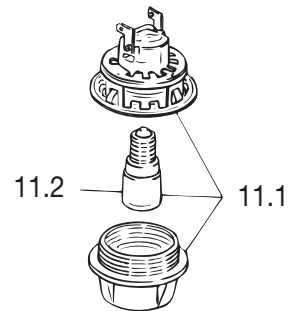
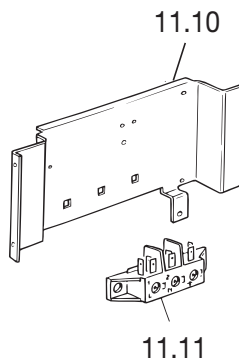
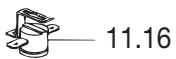
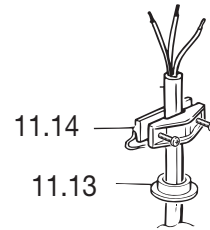
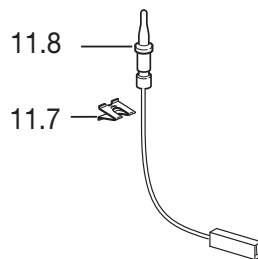
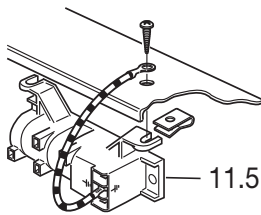
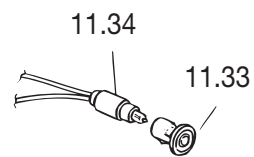
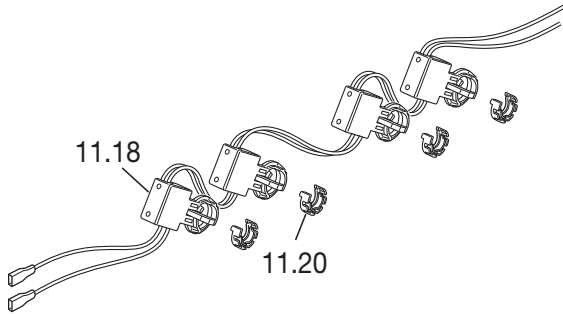
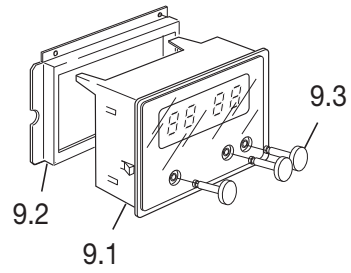
Ref.	Part description	Product code	
		CUM0CP005X	
		Feature	Part code
8.1	Oven knob		2185002294
8.3	Top + grill element	230 V	062072004
8.4	Bottom element	230 V	062058004A
8.10	Bottom element fixing bar		094207
8.11	Element shelter		421F701Z
8.15	Switch		050045
8.16	Switch		050040.1
8.17	Thermostat		066078
8.18	Thermostat		066072
8.23	Fan diffuser		47AN601K
8.24	Fan motor	220/240 V	079008001F
8.25	Fan motor insulation		030136.1
8.26	Fan element	230 V	062057004
8.40	Clip		213015
			213023
8.41	Bulb thermostat protection		094289



Ref.	Part description	Product code	
		CUM0CP005X	
		Feature	Part code
7.1	Shelf support		217291
7.3	Oven tray		48B6101K
7.4	Wire shelf		217270.1
7.6	Grill-pan grid		217397
7.12	Grill-pan grid handle		037144
7.13	Wire shelf		217271
7.15	Shelf support		217367

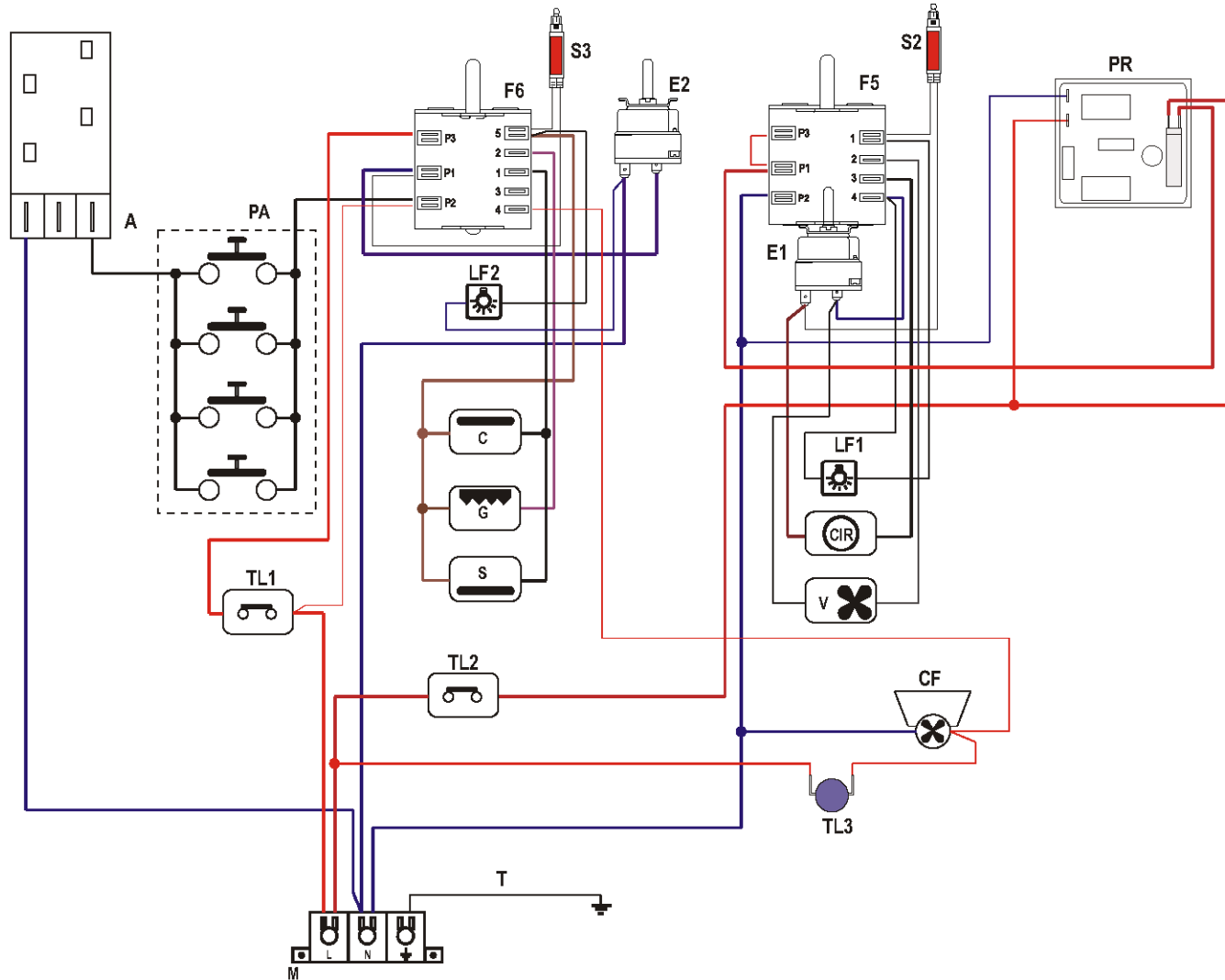
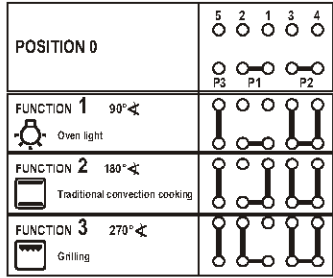


Ref.	Part description	Product code	
		CUM0CP005X	
		Feature	Part code
6.1	Burner knob		2185002361
6.4	Tap	A - Ø 0.28	106266
		SR - Ø 0.33	106267
		TR - Ø 0.63	106269
6.5	Tap fixing screw		001282
6.6	Tap bracket		094653
6.8	Burner-cup	A	215465
		SR	215466
6.9	Burner head	SR	068110001
		A	068109001
6.10	Burner-cap	A	216129005A
		SR	216130005A
6.12	Injector	Ø 0.72 - G20	101234
		Ø 0.97 - G20	101235
		Ø 0.50 - G30	101180
		Ø 0.65 - G30	101181
6.14	Elbow gasket		053024.1
6.15	Burner-cup	TR	215469
6.17	TR injector	Ø 1.35 - G20	101237
		Ø 0.95 - G30	101233
6.18	Connection		067026
6.19	Inlet pipe	A	029600
6.20	Inlet pipe left	SR	029602
6.21	Inlet pipe right	SR	029601
6.22	Inlet pipe	TR	029604
6.23	Manifold extension		342510010
6.24	LPG connection		027014
6.25	Natural gas connection		027013
6.35	TR burner head		068112001
6.36	Burner-cap inside	TR	216132005A
6.37	Burner-cap outside	TR	216133005A
6.38	Burner-cup gasket		053078
6.39	Stopper		040064

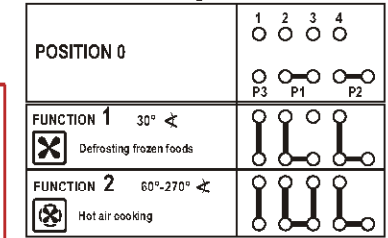


Ref.	Part description	Product code	
		CUM0CP005X	
		Feature	Part code
9.1	Electronic timer		074063
9.2	Electronic timer seal		094438
9.3	Button (Black)		103271080
11.1	Lamp holder		072004
11.2	Lamp		073013001
11.5	4 burners ignition coil		082052.1
11.7	Igniter spring		035094
11.8	Igniter	L = 250 mm	084028
		L = 630 mm	084029
		TR - L = 250 mm	084032
11.10	Terminal bracket		094162
11.11	Terminal block		051038
11.12	Wiring		1131527
11.13	Anti-shock		052007
11.14	Wire fastener		052008
11.16	Cut-off thermostat	140°	066057
		130°	066068
		55°	066080
11.18	Ignition switches		1031252
11.20	Retaining ring		003077
11.25	Earth plate		094221
11.33	Control lamp cover - Red		07306202.2
11.34	Control lamp	L = 230 mm	073039.2
-	LPG gas conversion kit		6106N40015
-	Instruction booklet		1102354

Top oven switch diagram



Bottom main oven diagram



ELECTRIC DIAGRAM KEY

- F6 Top oven switch
- F5 Bottom oven switch
- E2 Top oven thermostat
- E1 Bottom oven thermostat
- LF2 Top oven lamp
- LF1 Bottom oven lamp
- PR Oven programmer
- C Top element
- G Grill element
- S Bottom element
- CIR Circular element
- V Fan
- S2 Bottom oven thermostat lamp
- S3 Top oven thermostat lamp
- TL1 Top oven thermal overload
- TL2 Bottom oven thermal overload
- A Ignition coil
- PA Ignition switches group
- CF Cooling fan
- TL3 Thermal overload
- M Terminal block
- T Earth connection



C5210

Caple 600 cooker with GAS hob
Freestanding