



# C5210

**Caple 600 cooker with GAS hob  
Freestanding**

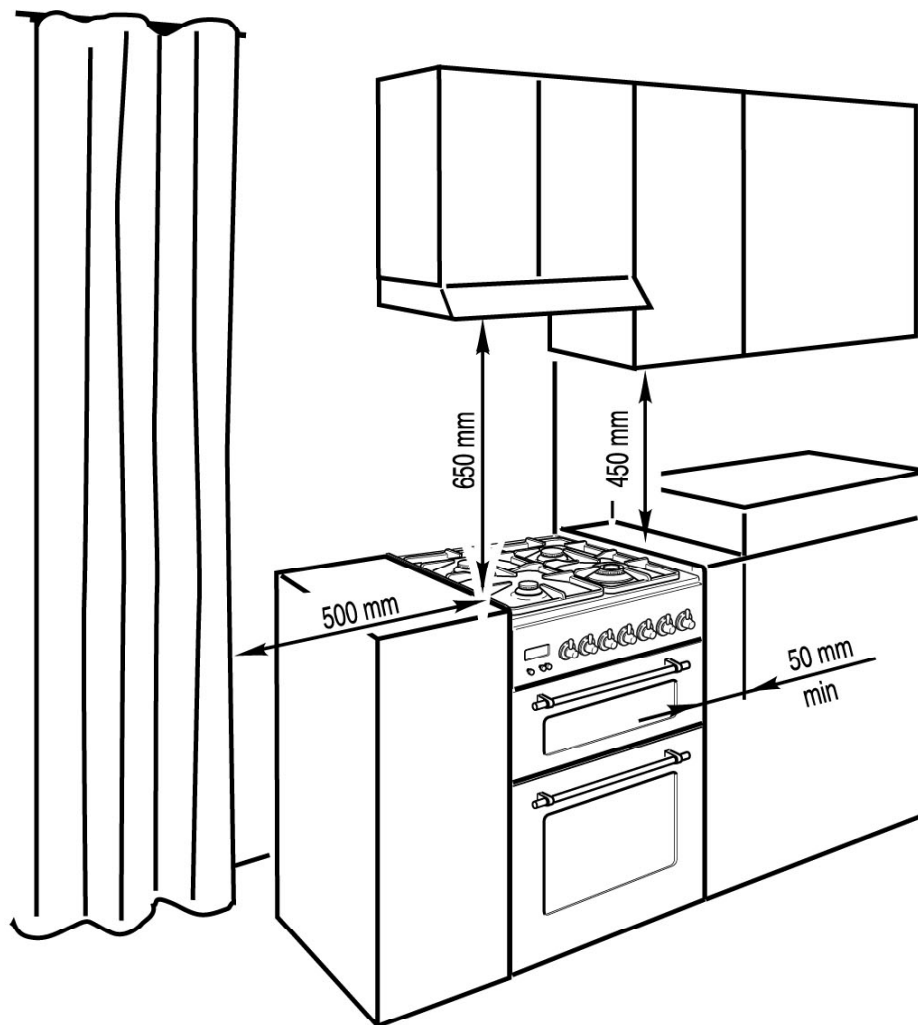


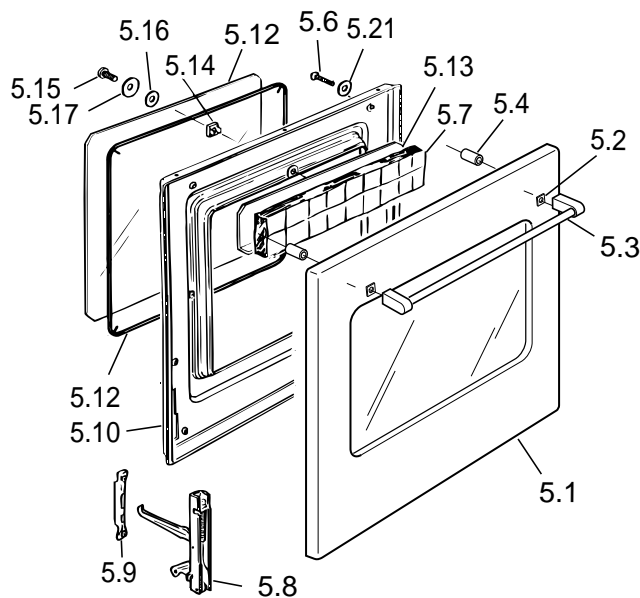
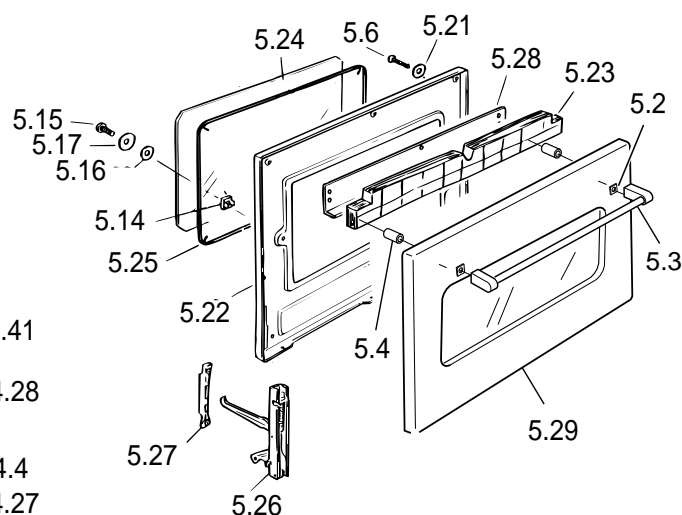
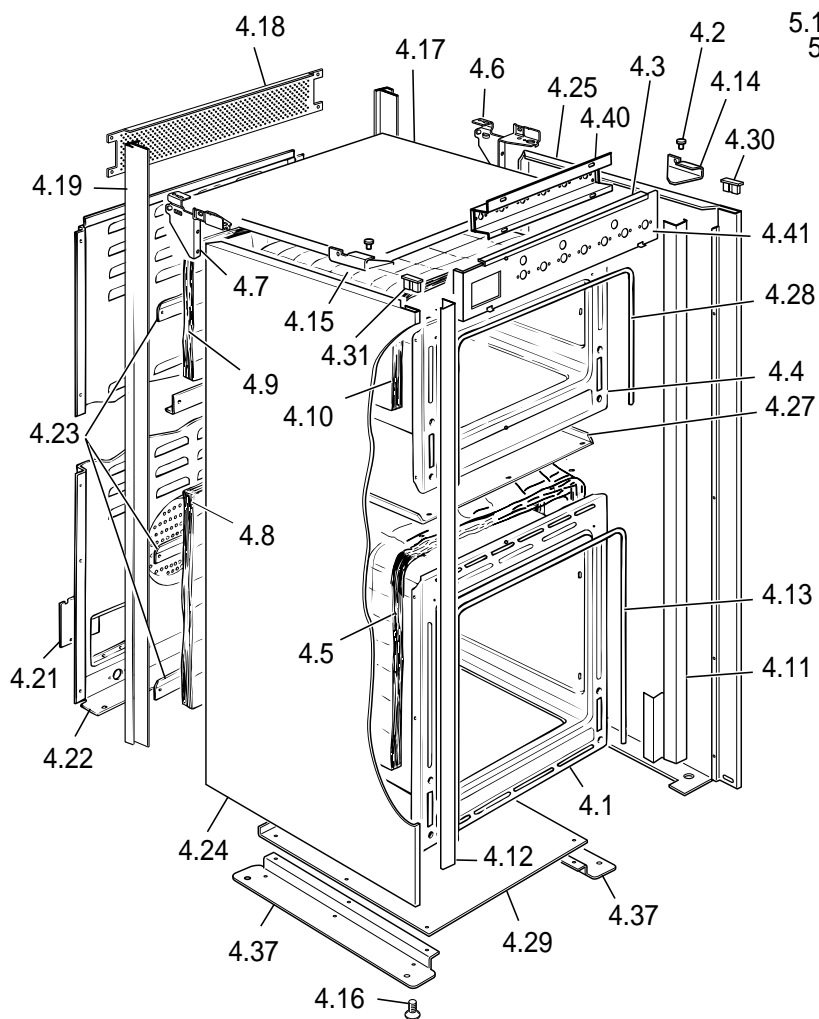
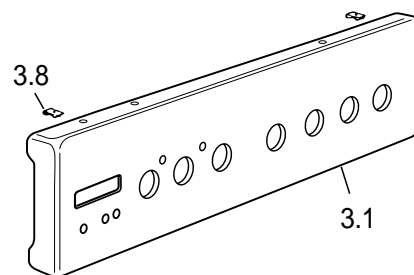
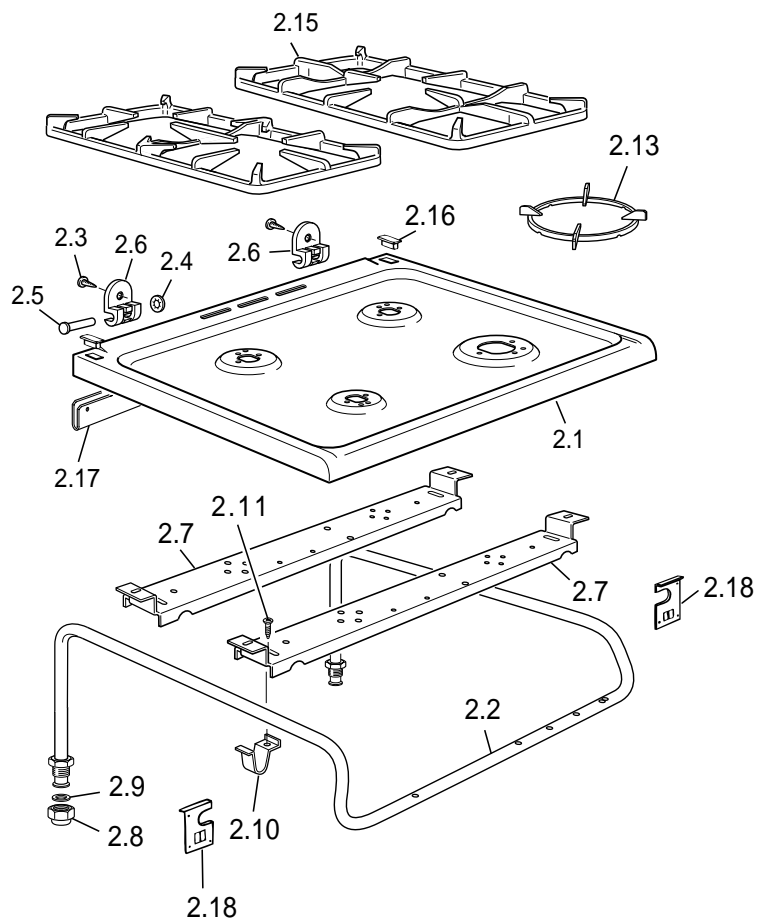
**TECHNICAL INFORMATION**



# C5210

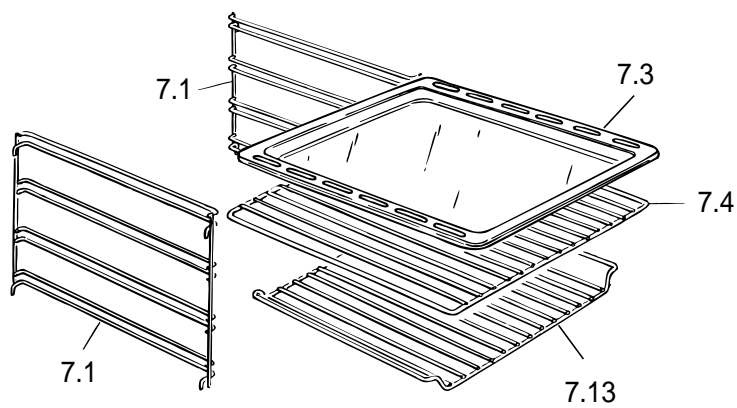
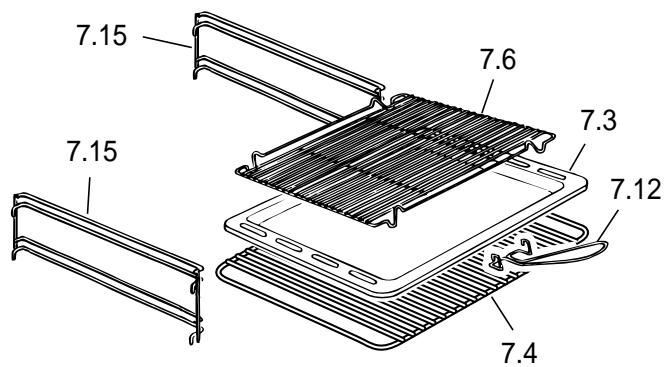
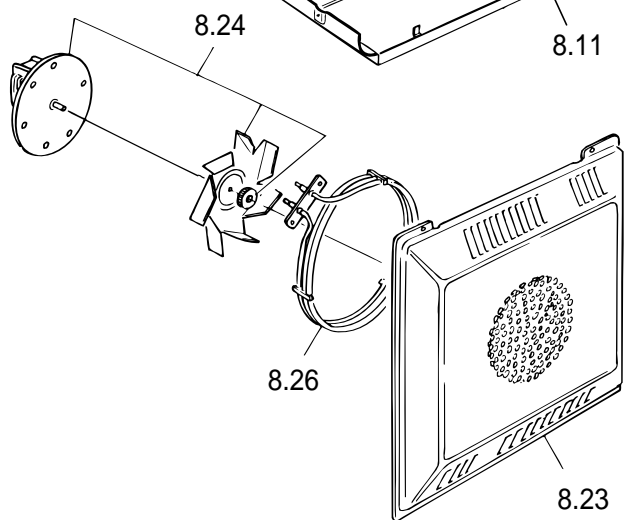
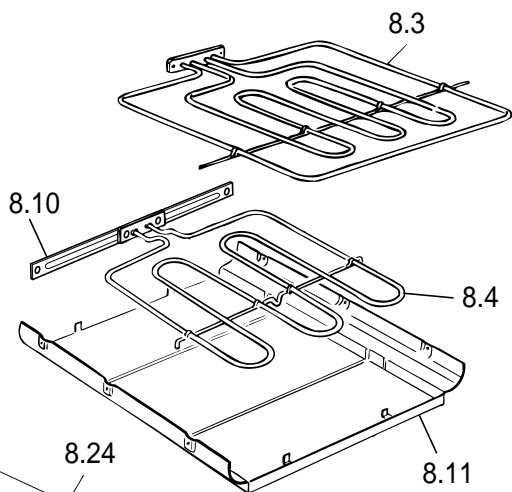
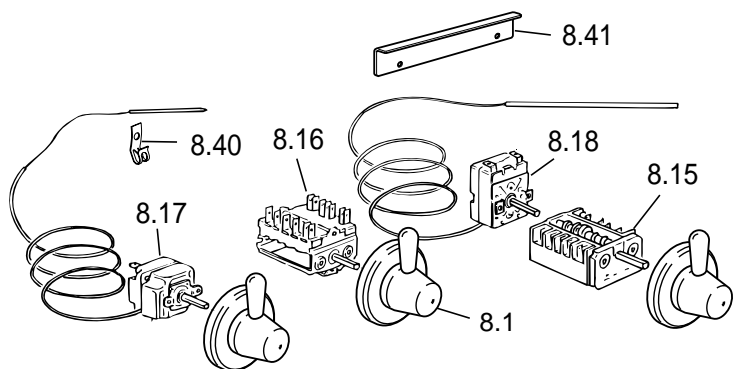
Caple 600 cooker with GAS hob  
Freestanding





REF.	CODE	DESCRIPTION
2.1	3316N402S	Cooktop
2.2	3426N40002	Manifold
2.3	001057	Screw
2.4	003060	Snap ring
2.5	211022	Pivot
2.6	103572	Rear spacing
2.7	51B6N01	Burners support
2.8	027015	Inlet pipe plug
2.9	053024.1	Gasket
2.10	094254	Fixing plate
2.11	001008	Screw
2.13	217498	Wok grid
2.15	217531	Pan-support
2.16	103298/NS	Plug
2.17	103603	Rear protection
2.18	094250	Fixing plate
3.1	35C6P10SCP	Control panel
3.8	213007	Clip
4.1	450UM1EV11	Bottom oven cube
4.2	040011	Buffer
4.3	09443900M	Control panel trim
4.4	450UM1ES14	Top oven cube
4.5	030092.1	Bottom oven insulation
4.6	094354DX	Rear right coupler
4.7	094354SX	Rear left coupler
4.8	030028.1	Bottom oven rear insulation
4.9	030065.1	Top oven rear insulation
4.10	030066.1	Top oven insulation
4.11	09424801M	Right front trim
4.12	09424901M	Left front trim
4.13	053039	Bottom oven seal
4.14	094333DX	Front right coupler
4.15	094333SX	Front left coupler
4.16	103174	Shim
4.17	421FG01Z	Upper shelter
4.18	411CUM07	Upper rear panel
4.19	094246.1	Rear trim
4.21	51BUM01	Shield
4.22	411UM10	Rear panel
4.23	4216003Z	Insulation cross-piece
4.24	36CUMS1S	Left side panel
4.25	36CUMD1S	Right side panel
4.27	411UM04	Shelter
4.28	053052	Top oven seal
4.29	411CUM04	Bottom panel
4.30	081083/NS	Right front trim plug
4.31	081084/NS	Left front trim plug
4.37	411CUM03	Bottom side bar
4.40	094069	Switch/Thermostat stirrup
4.41	094440	Control panel support

REF.	CODE	DESCRIPTION
5.1	032611738G	Bottom oven outer glass
5.2	103198	Silicone washer
5.3	037215062	Handle
5.4	085069	Sleeve
5.6	001184	Screw
5.7	030057.1	Bottom oven door insulation
5.8	063103	Bottom oven hinge (male)
5.9	063025	Bottom oven hinge (female)
5.10	373FF706K	Bottom oven door skin
5.11	053084	Bottom oven glass seal
5.12	0311000.1T	Bottom oven inner glass
5.13	411F729	Bottom oven insulation support
5.14	214021	Nut with clips
5.15	001214	Screw
5.16	003035	Silicone washer
5.17	103205	Inner glass washer
5.21	003041	Washer
5.22	373FUM03K	Top oven door skin
5.23	030064.1	Top oven door insulation
5.24	0311086.1T	Top oven inner glass
5.25	053086	Top oven glass seal
5.26	063065	Top oven hinge (male)
5.27	063066	Top oven hinge (female)
5.28	411UM05	Top oven insulation support
5.29	032UM1739C	Top oven outer glass



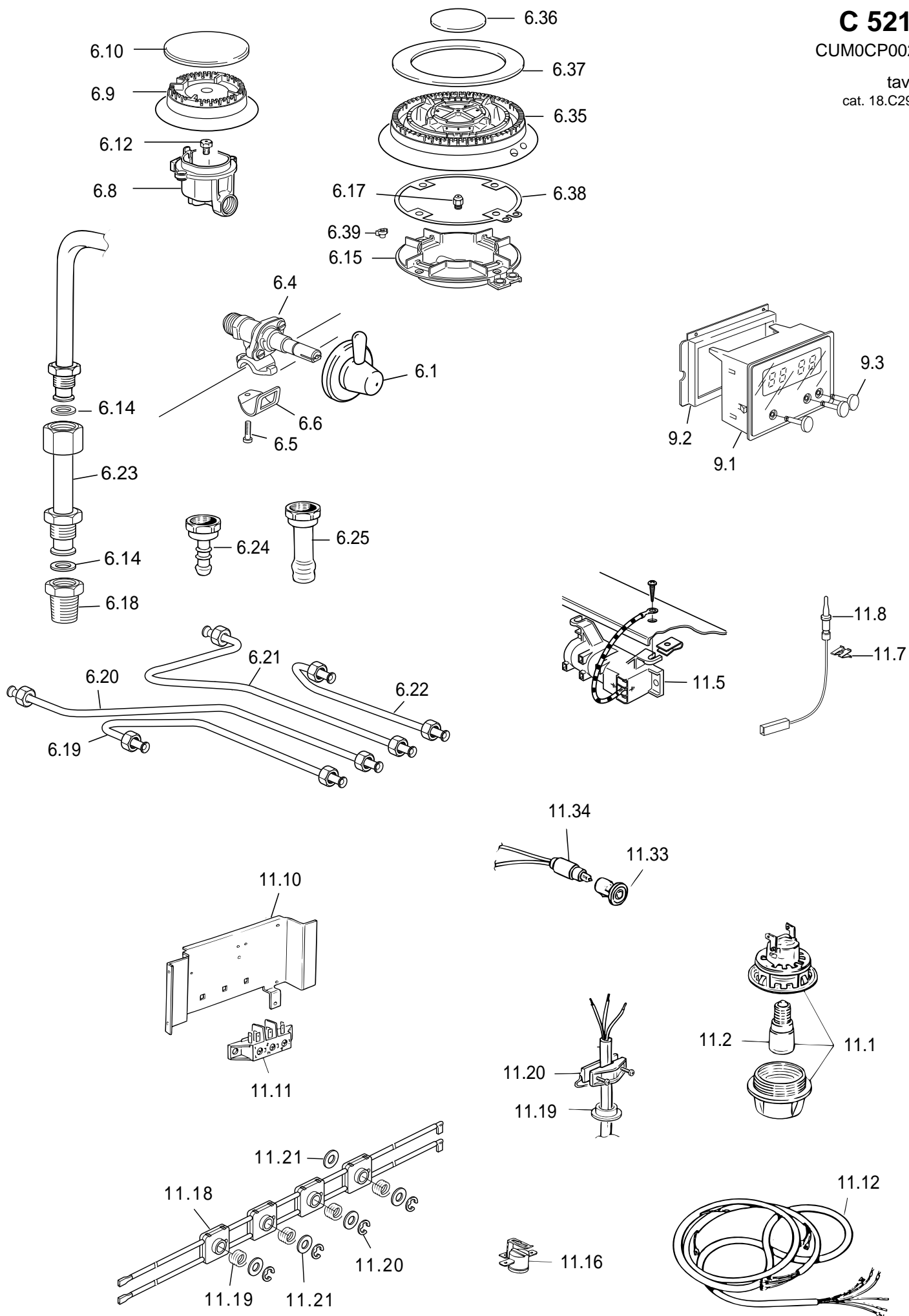
---

REF.	CODE	DESCRIPTION
7.1	217291	Shelf support
7.3	48B6101K	Oven tray
7.4	217270.1	Wire shelf
7.6	217397	Grill-pan grid
7.12	037144	Grill-pan grid handle
7.13	217271	Wire shelf
7.15	217367	Shelf support
8.1	2185002294	Oven knob
8.3	062072004	Top + grill element - 230 V
8.4	062058004A	Bottom element - 230 V
8.10	094207	Bottom element fixing bar
8.11	421F701Z	Element shelter
8.15	050045	Switch
8.16	050040.1	Switch
8.17	066078	Thermostat
8.18	066072	Thermostat
8.23	47AN601K	Fan diffuser
8.24	079008001F	Fan motor - 220/240 V
8.26	062057004	Fan element - 230 V
8.40	213015	Clip
=	213023	Clip
8.41	094289	Bulb thermostat protection

# C 5210

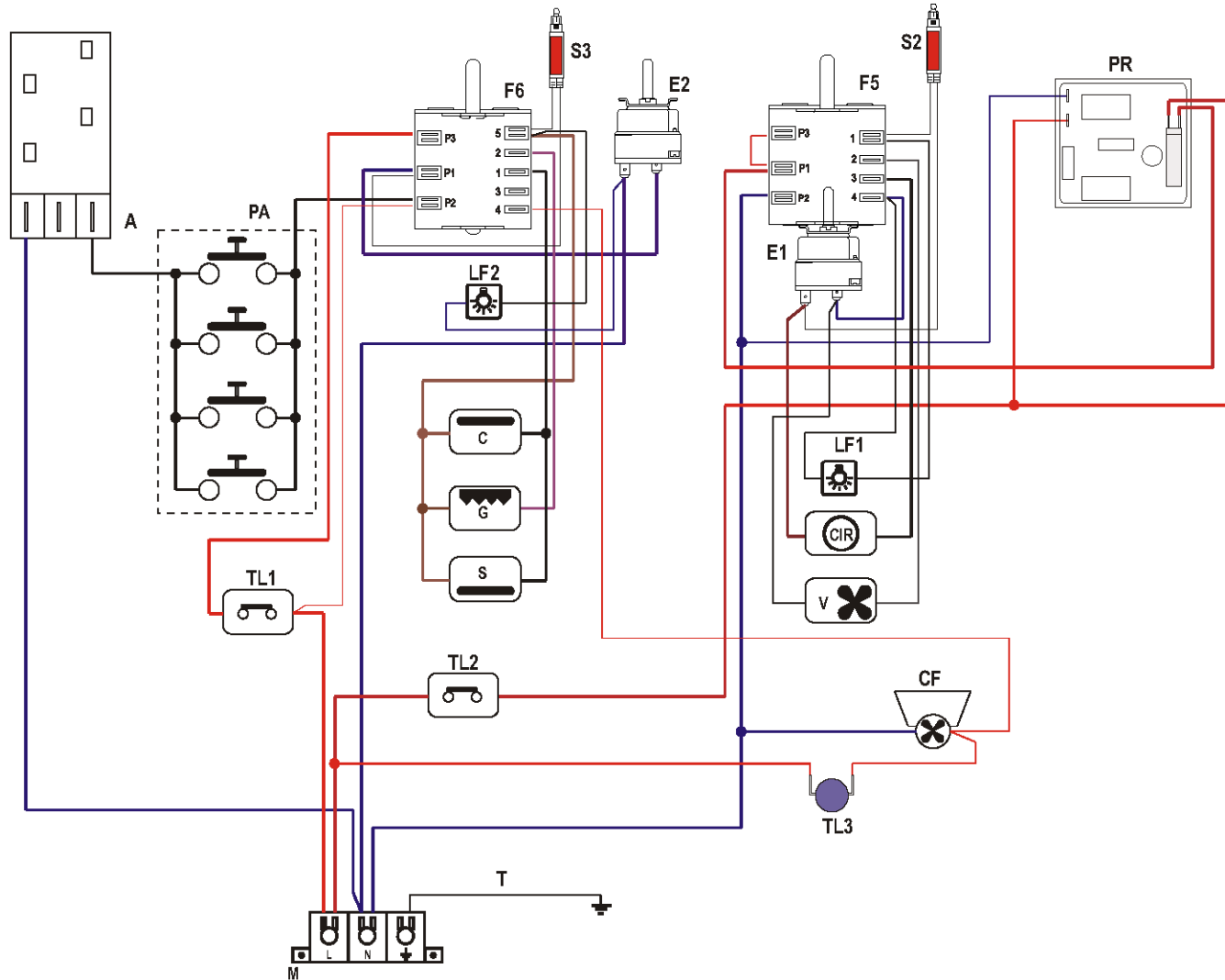
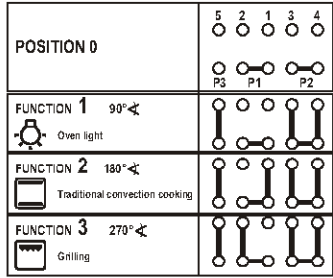
CUM0CP002X

tav. 3  
cat. 18.C2900

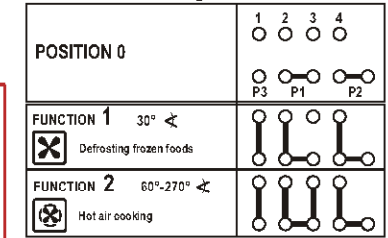


REF.	CODE	DESCRIPTION
6.1	2185002361	Burner knob
6.4	106240	Tap - Ø 0.27 A
=	106241	Tap - Ø 0.32 SR
=	106243	Tap - Ø 0.42 R
6.5	001233	Tap fixing screw
6.6	094382	Tap bracket
6.8	215465	A burner-cup
=	215466	SR burner-cup
6.9	068110001	SR burner head
=	068109001	A burner head
6.10	216129005A	A burner-cap
=	216130005A	SR burner-cap
6.12	101234	Injector - Ø 0.72 - G20
=	101235	Injector - Ø 0.97 - G20
=	101180	Injector - Ø 0.50 - G30
=	101181	Injector - Ø 0.65 - G30
6.14	053024.1	Elbow gasket
6.15	215469	Burner-cup TR
6.17	101237	TR injector - Ø 1.35 - G20
=	101233	TR injector - Ø 0.95 - G30
6.18	067026	Connection
6.19	029600	A inlet pipe
6.20	029602	SR inlet pipe left
6.21	029601	SR inlet pipe right
6.22	029604	TR inlet pipe
6.23	342510010	Manifold extension
6.24	027014	LPG connection
6.25	027013	Natural gas connection
6.35	068112001	TR burner head
6.36	216132005A	Burner-cap inside TR
6.37	216133005A	Burner-cap outside TR
6.38	053078	Burner-cup gasket
6.39	040064	Stopper
9.1	074063	Electronic timer
9.2	094438	Electronic timer seal
9.3	103271080	Button (Black)
11.1	072004	Lamp holder
11.2	073013001	Lamp
11.5	082052.1	4 burners ignition coil
11.7	035094	Igniter spring
11.8	084029	Igniter - L = 630 mm
=	084033	Igniter TR - L = 500 mm
11.10	094162	Terminal bracket
11.11	051038	Terminal block
11.12	1131527	Wiring
11.16	066057	Cut-off thermostat 140°
=	066068	Cut-off thermostat 130°
=	066080	Cut-off thermostat 55°
11.18	103602	Ignition switches
11.19	035080	Ignition switches spring
11.20	003039	Retaining ring
11.21	003038	Washer
11.19	052007	Anti-shock
11.20	052008	Wire fastener
11.33	07306202.2	Control lamp cover - Red
11.34	073039.2	Control lamp L 230
-	1102102	Instruction booklet
	6106N40015	LPG gas conversion kit

Top oven switch diagram



Bottom main oven diagram



ELECTRIC DIAGRAM KEY

- F6 Top oven switch
- F5 Bottom oven switch
- E2 Top oven thermostat
- E1 Bottom oven thermostat
- LF2 Top oven lamp
- LF1 Bottom oven lamp
- PR Oven programmer
- C Top element
- G Grill element
- S Bottom element
- CIR Circular element
- V Fan
- S2 Bottom oven thermostat lamp
- S3 Top oven thermostat lamp
- TL1 Top oven thermal overload
- TL2 Bottom oven thermal overload
- A Ignition coil
- PA Ignition switches group
- CF Cooling fan
- TL3 Thermal overload
- M Terminal block
- T Earth connection



**C5210**

Caple 600 cooker with GAS hob  
Freestanding