



C502M/SS

**Caple Multi Function Oven
Stainless Steel**

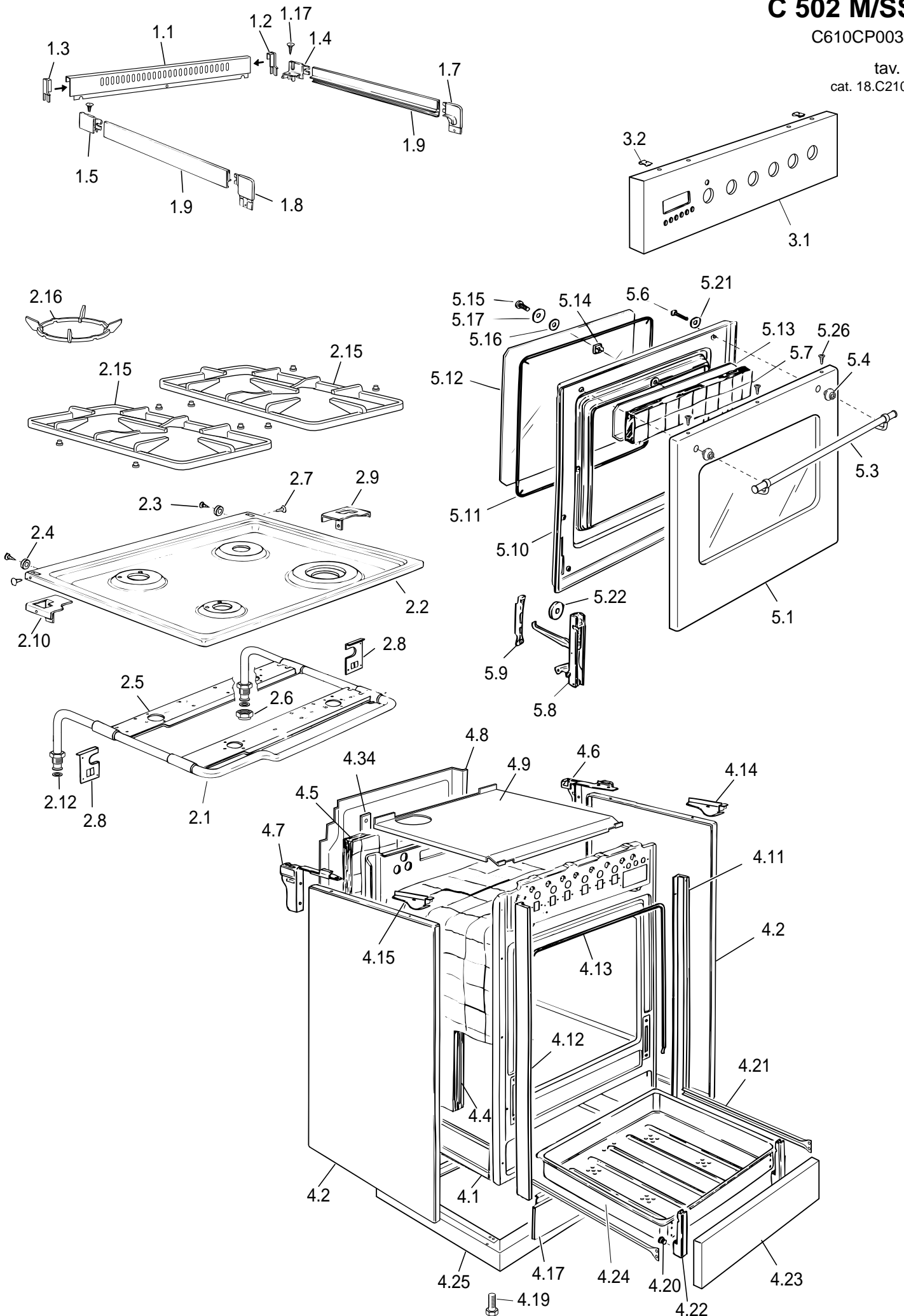
TECHNICAL INFORMATION

C 502 M/SS

C610CP003X

tav. 1

cat. 18.C2105



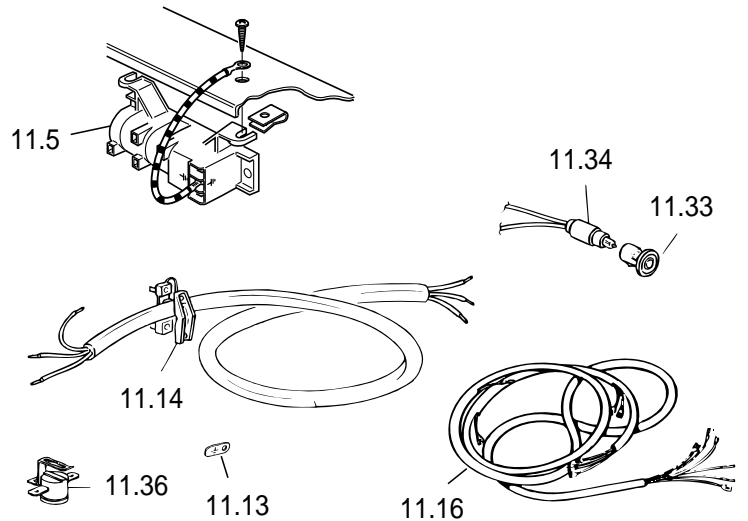
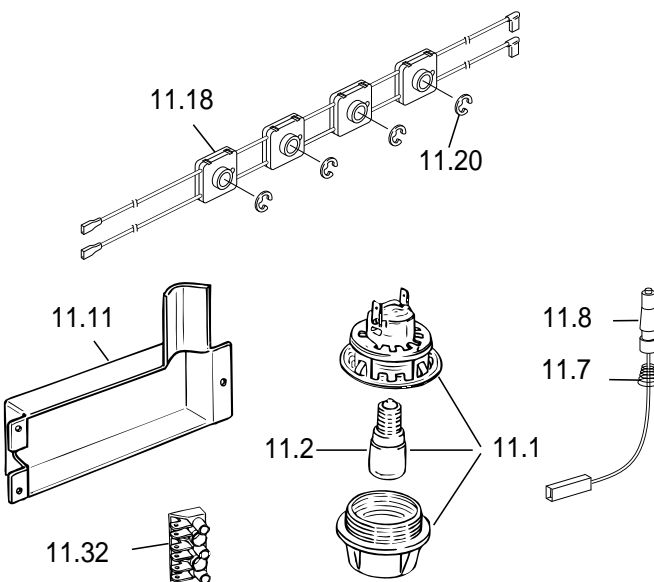
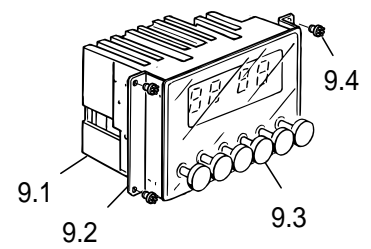
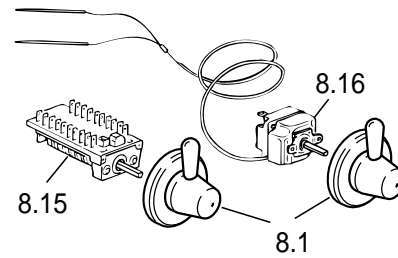
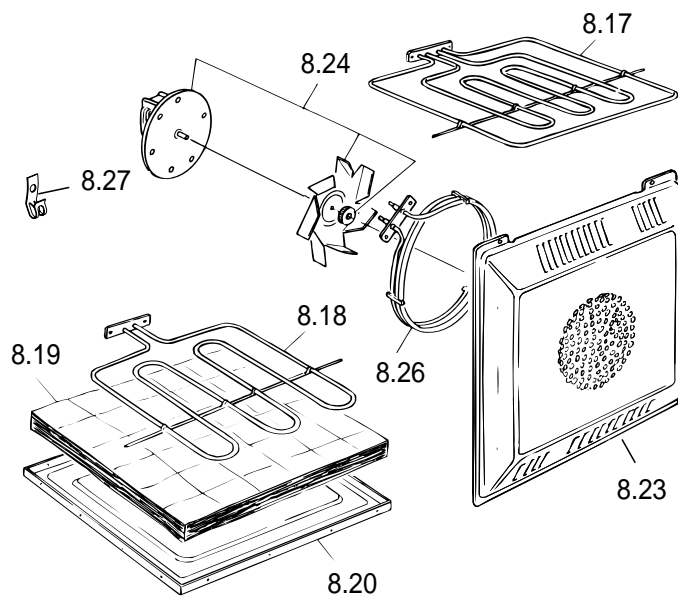
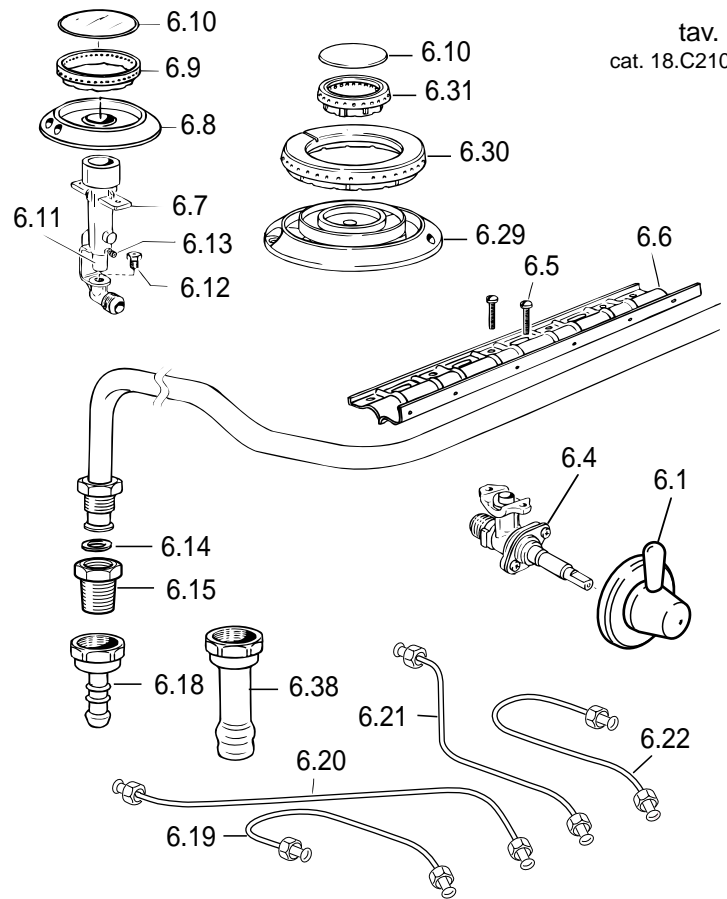
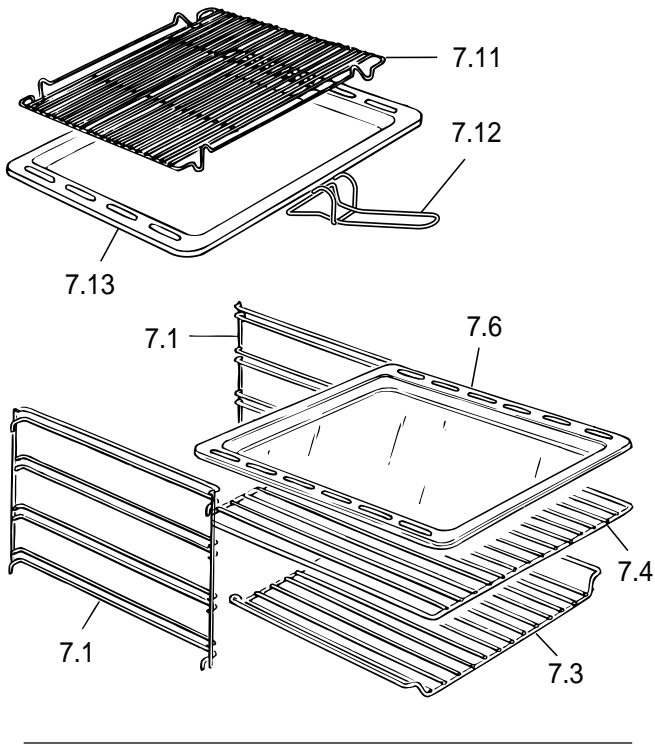
REF.	CODE	DESCRIPTION
1.1	103464063	Rear trim
1.2	069077/NS	Right spring
1.3	069078/NS	Left spring
1.4	069042/NS	Right hinge bracket
1.5	069041/NS	Left hinge bracket
1.7	069040/NS	Right trim corner
1.8	069039/NS	Left trim corner
1.9	083205061	Right/Left trim
1.17	001111	Stainless steel screw
2.1	3426140C01	Manifold
2.2	33161402S	Cooktop
2.3	001007	Screw
2.4	003024	Washer
2.5	51B6501	Burners support
2.6	027015	Inlet pipe plug
2.7	071042002	Plastic peg (Black)
2.8	094135	Fixing plate
2.9	094129	Right hinge bracket
2.10	094130	Left hinge bracket
2.12	053024.1	Gasket
2.15	217471	Pan-support with buffers
2.16	217498	Wok grid
3.1	35C65C1SDA	Control panel
3.2	213007	Clips
4.1	450611EM11	Oven body
4.2	36C6100S	Side panel
4.4	030082.1	Oven insulation
4.5	030098.1	Rear insulation
4.6	094174Z	Rear right coupler
4.7	094175Z	Rear left coupler
4.8	4119101	Rear panel
4.9	4216101Z	Upper shelter
4.11	083197061	Right front trim
4.12	083196061	Left front trim
4.13	053039	Seal
4.14	094131	Front right coupler
4.15	094132	Front left coupler
4.17	103160061	Base panel
4.19	103410	Shim
4.20	040012	Buffer
4.21	094075	Drawer rail
4.22	094138	Drawer fixing bracket
4.23	39E6601YS	Drawer front panel
4.24	39K6101Y	Drawer
4.25	103413081	Plinth
4.34	4219604Z	Rear insulation support

REF.	CODE	DESCRIPTION
5.1	032611738G	Door panel with glass
5.3	037198061	Door handle
5.4	085075061	Sleeve
5.6	001032	Screw - M5x25
5.7	030057.1	Door insulation
5.8	063053	Door hinge (male)
5.9	063025	Door hinge (female)
5.10	373FF715K	Door panel
5.11	053084	Gasket
5.12	0311000.1T	Inner glass
5.13	411F729	Trim
5.14	214021	Nut
5.15	001214	Screw
5.16	003035	Washer
5.17	103205	Washer
5.21	003057	Washer - M6x24
5.22	003041	Washer
5.26	001089	Screw - 8Px9,5

C 502 M/SS

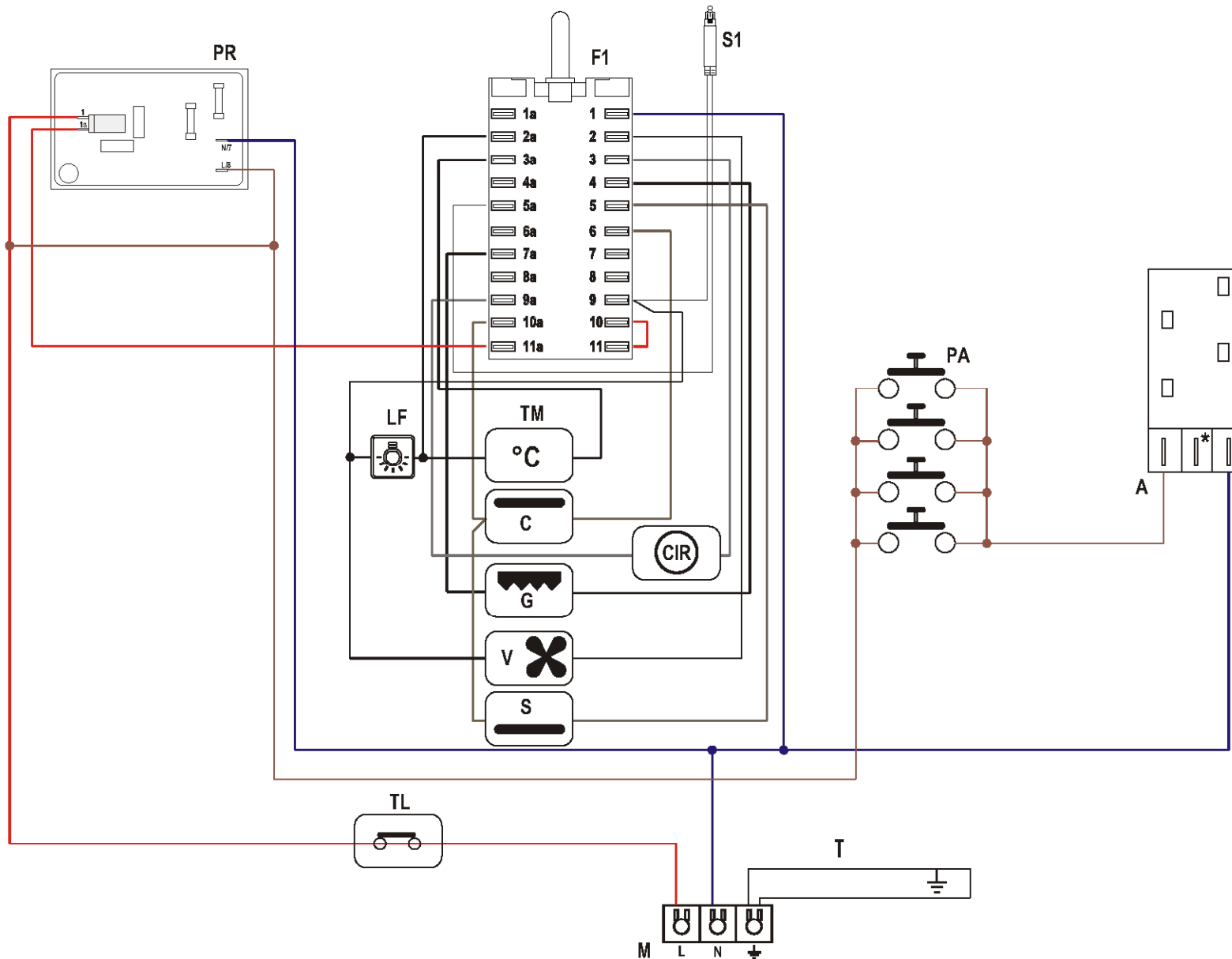
C610CP003X

tav. 1
cat. 18.C2105



REF.	CODE	DESCRIPTION
6.1	2185002294	Burner knob
6.4	106210	Tap - Ø 0.27 A
=	106211	Tap - Ø 0.29 SR
=	106212	Tap - Ø 0.47 UR
6.5	001217	Tap fixing screw
6.6	51B6504	Tap bracket
6.7	215172	A burner
=	215173	SR burner
=	215175	UR burner
6.8	068072005	SR burner head
=	068073005	A burner head
6.9	216074016	A burner-ring
=	216075034	SR burner-ring
6.10	216070005	A burner-cap
=	216071005	SR burner-cap
6.11	024019	A-SR air regulation tube
=	024021	UR air regulation tube
6.12	101137	Injector - Ø 0.50
=	101111	Injector - Ø 0.67
=	101080	Injector - Ø 0.92
=	101071	Injector - Ø 0.72
=	101007	Injector - Ø 1.00
=	101074	Injector - Ø 1.35
6.13	001017	Screw
6.14	053024.1	Elbow gasket
6.15	067026	Connection
6.18	027014	LPG connection
6.19	029335	A inlet pipe
6.20	029336	SR inlet pipe left
6.21	029337	SR inlet pipe right
6.22	029328	UR inlet pipe
6.29	068075005A	DR burner head
6.30	216100040	DR outside burner-ring
6.31	216074030	DR inside burner-ring
6.38	027013	NG connection
7.1	217291	Shelf support
7.3	217221	Oven shelf
7.4	217220	Oven shelf
7.6	48B6101K	Oven tray
7.11	217385	Grill-pan grid
7.12	037144	Grill-pan grid handle
7.13	48B5102K	Oven tray
8.1	2185002294	Oven knob
8.15	050028.1	Oven switch
8.16	066053	Oven thermostat
8.17	062065004	Top + grill element - 230V
8.18	062066004	Bottom element - 230V
8.19	030083.1	Bottom element insulation
8.20	4216102Z	Bottom element support
8.23	47AN601K	Fan diffuser
8.24	079008001F	Complete oven fan - 220/240V
8.26	062057004	Fan element - 230V
8.27	213023	Clip
=	213015	Clip

REF.	CODE	DESCRIPTION
9.1	074041	Electronic timer
9.2	094362	Electronic timer seal
9.3	103271080	Button (Black)
9.4	040063	Protection
11.1	072003	Lamp holder
11.2	073013001	Lamp - 15 W
11.5	082052.1	4 burners ignition coil
11.7	035011	Igniter spring
11.8	084015	Igniter - L=260 mm
11.11	103230.1A	Terminal block protection
11.13	041210	Earth plate
11.14	052008	Wire fastener
11.16	1131156	Wiring
11.20	003039	Retaining ring
11.32	051049	Terminal block 25A - 3P
11.33	073035	Control lamp cover - Red
11.34	073038.2	Control lamp L=200
11.36	066073	Cut-off thermostat 150°
-	1101808	Instruction booklet
	6106140C27	LPG gas conversion kit



ELECTRIC DIAGRAM KEY

- F1 Oven switch
- TM Oven thermostat
- PR Electronic programmer
- S1 Thermostat pilot lamp
- LF Oven lamp
- C Top element
- G Grill element
- V Fan
- S Bottom element
- TL Thermal overload
- CIR Circular element
- PA Ignition switches
- A Ignition coil
- M Terminal block
- T Earth connection



C502M/SS

Caple Multi Function Oven
Stainless Steel