



# **C306F/SS**

**Caple Built Under Double Oven**

**TECHNICAL INFORMATION**



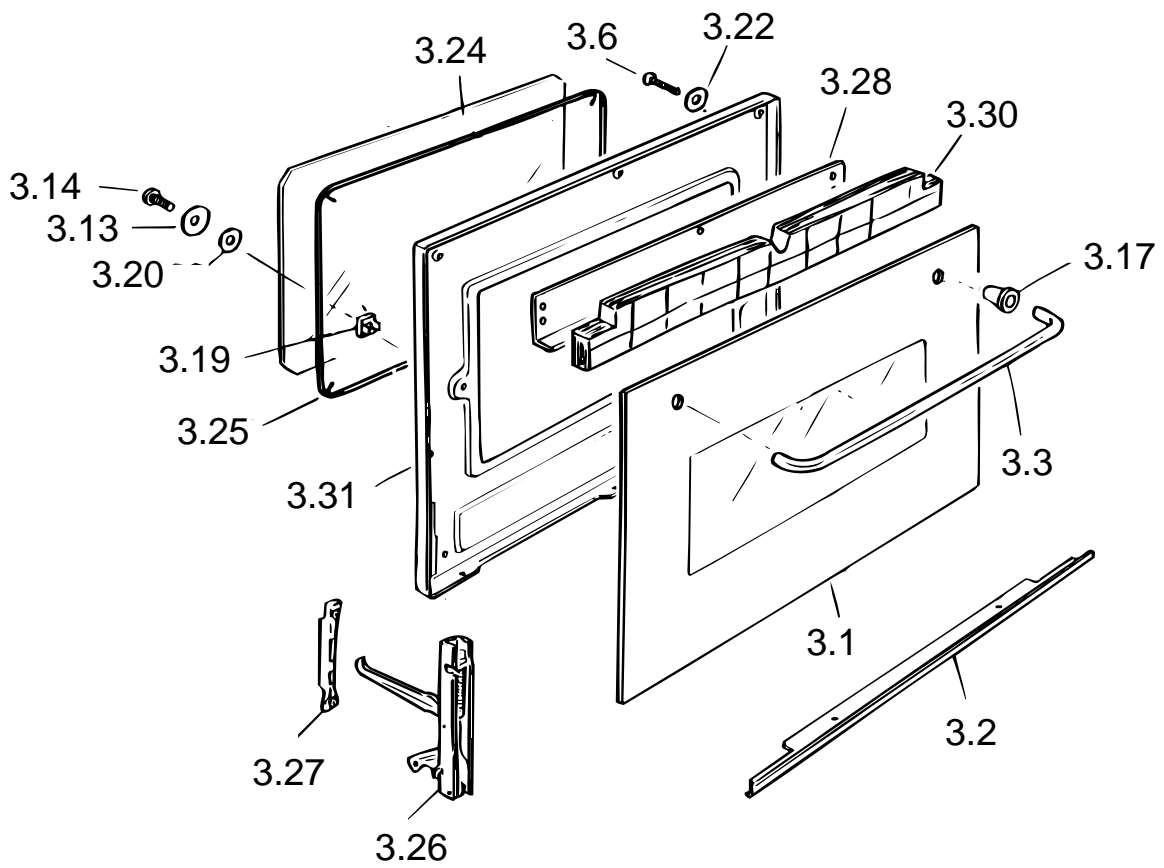
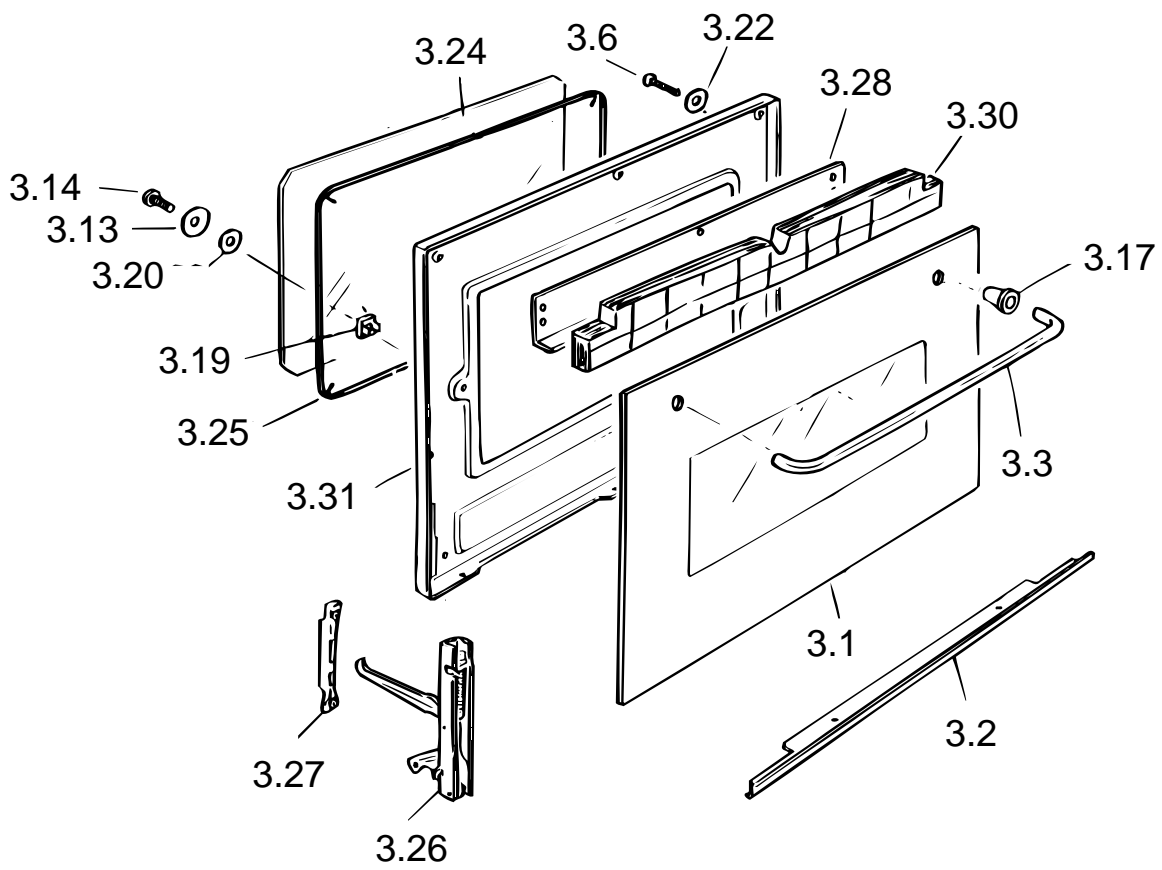
**CONTROL PANEL AND BODY**  
**Mod. C 306F/SS, C 306F/W**

Ref. Table: 3/1.F

<u>REF.</u>	<u>CODE</u>	<u>DESCRIPTION</u>
1.1	0311938	Glass fascia panel - Mod. C306F/W
1.2	083093035	Lower retainer trim - Mod. C306F/W
1.3	083188035	Upper retainer trim - Mod. C306F/W
1.4	35MF70204	Interior control panel - Mod. C306F/W
1.7	040011	Glass spacer
1.8	213007	Clip
1.10	35F732SYCP	Control panel - Mod. C306F/SS

Ref. Table: 3/2.AA

<u>REF.</u>	<u>CODE</u>	<u>DESCRIPTION</u>
2.1	083270035A	Trim surround - Mod. C306F/W
=	083270066A	Trim surround - Mod. C306F/ SS
2.2	411DS03VN	Right side panel
2.3	411DS04VN	Left side panel
2.4	411FG03	Control panel shelter
2.5	421FG01Z	Upper shelter
2.7	030065.1	Top oven rear insulation
2.8	411DS02	Rear panel
2.9	4216003Z	Insulation cross-piece
2.10	411DS01	Bottom panel
2.11	4216004Z	Insulation cross-piece
2.12	030066.1	Top oven insulation
2.14	085019	Spacer
2.15	450FS1EM11	Top oven cube
2.16	079017	Tangential fan 220/240
2.18	411FG07	Upper shelter
2.19	411F715	Upper air conveyor
2.20	411F716	Air conveyor
2.21	030111.1	Bottom oven rear insulation
2.22	053052	Top oven seal
2.23	450UM1ES14	Bottom oven cube
2.24	51BDM01	Shield
2.25	421FG01Z	Top oven element shelter
2.26	421DS01Z	Shelter
2.27	51BDS01VN	Oven cubes fixing bar
2.28	094364	Cover
2.29	094365	Oven bar for installation
2.30	103548	Foot
2.31	094207	Heating element support

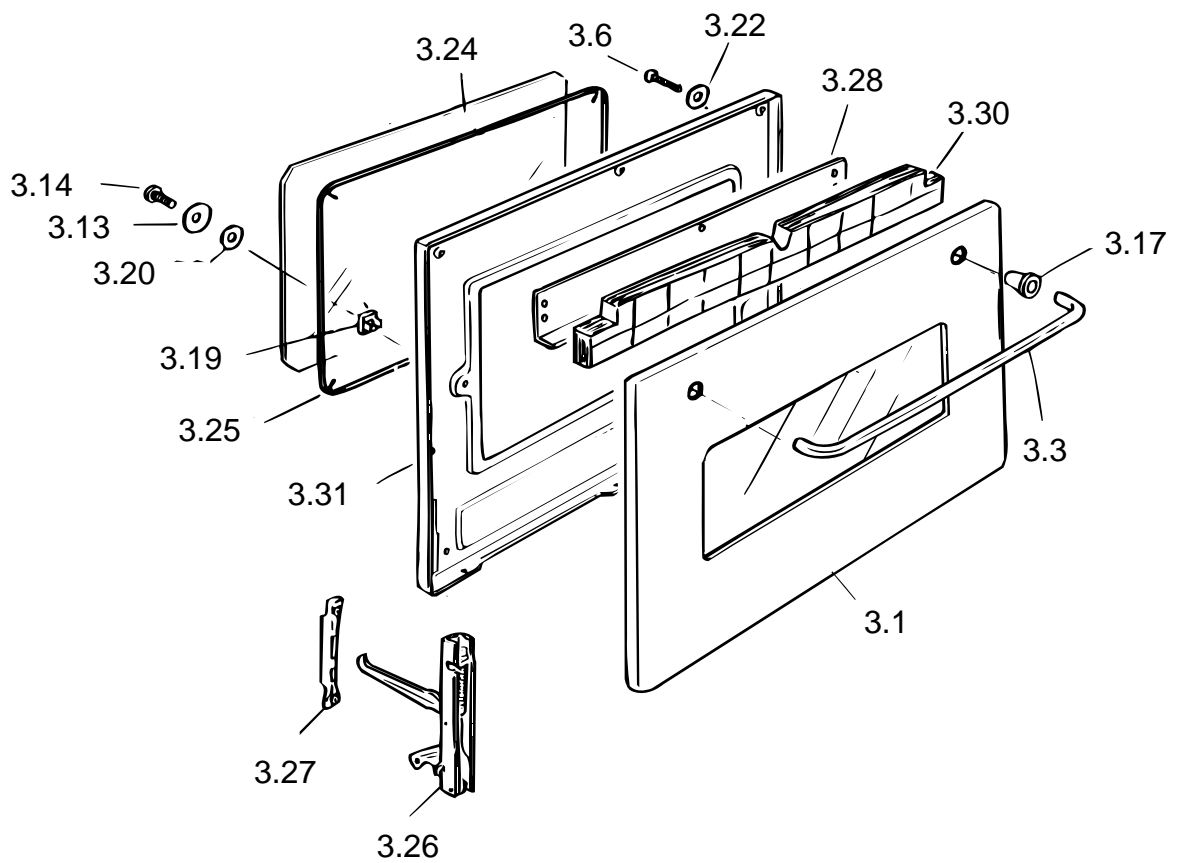
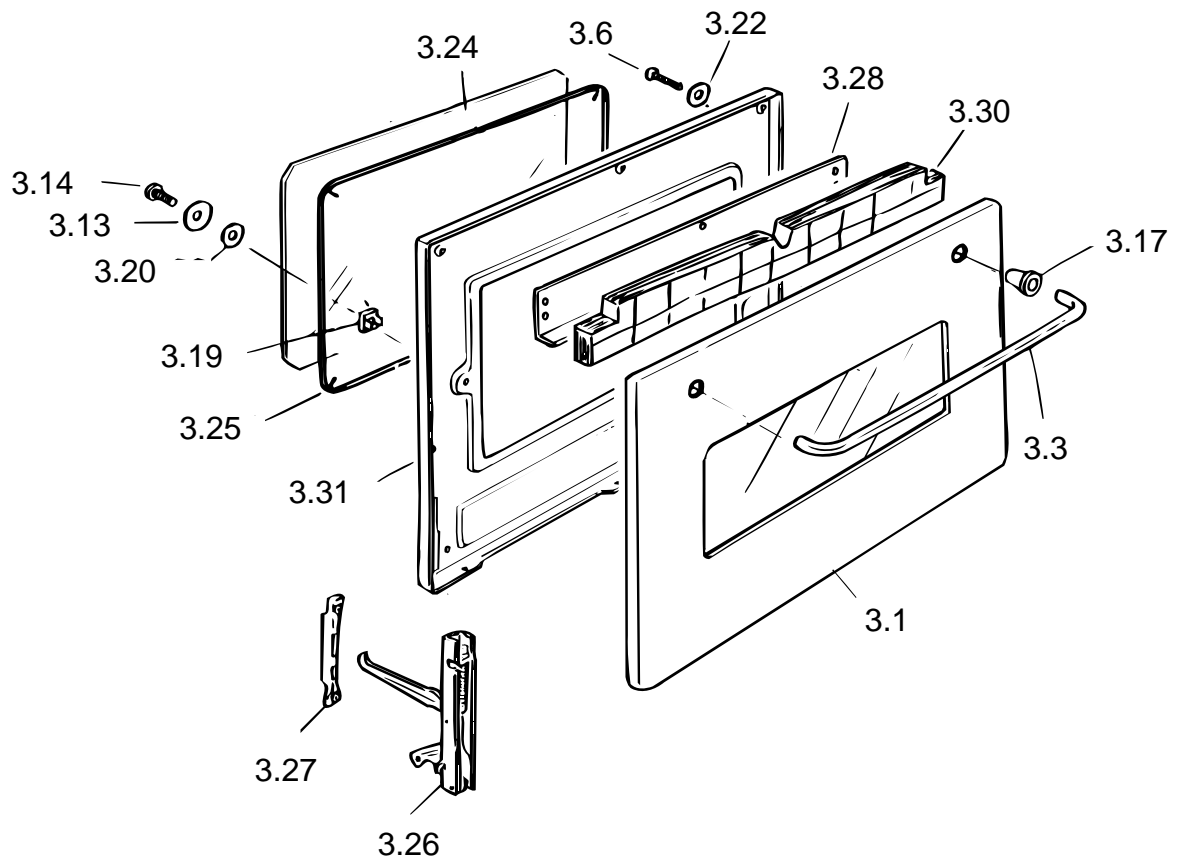


3/3.GA

**OVEN DOOR**  
**Mod. C 306F/W**

Ref. Table: 3/3.GA

<u>REF.</u>	<u>CODE</u>	<u>DESCRIPTION</u>
3.1	0311361	Oven door outer glass
3.2	083186035	Lower retainer trim
3.3	037128035	Handle (White)
3.6	001184	Screw - 5MAx40
3.13	103205	Inner glass washer
3.14	001024	Screw
3.17	085042035	Sleeve
3.19	214021	Nut with clips
3.20	003035	Silicone washer
3.22	003041	Washer
3.24	0311086.1T	Top oven inner glass
3.25	053086	Top oven glass seal
3.26	063065	Top oven hinge (male)
3.27	063066	Top oven hinge (female)
3.28	411UM05	Top oven insulation support
3.30	030064	Top oven door insulation
3.31	373FUM02K	Top oven door skin

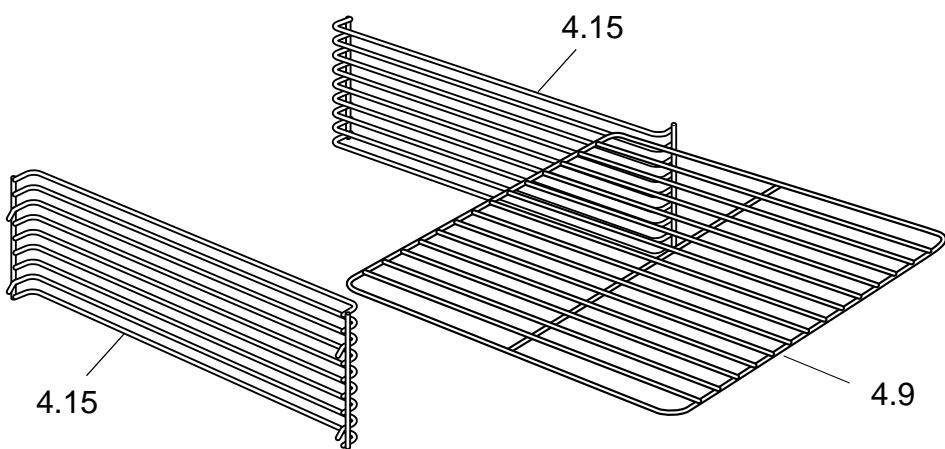
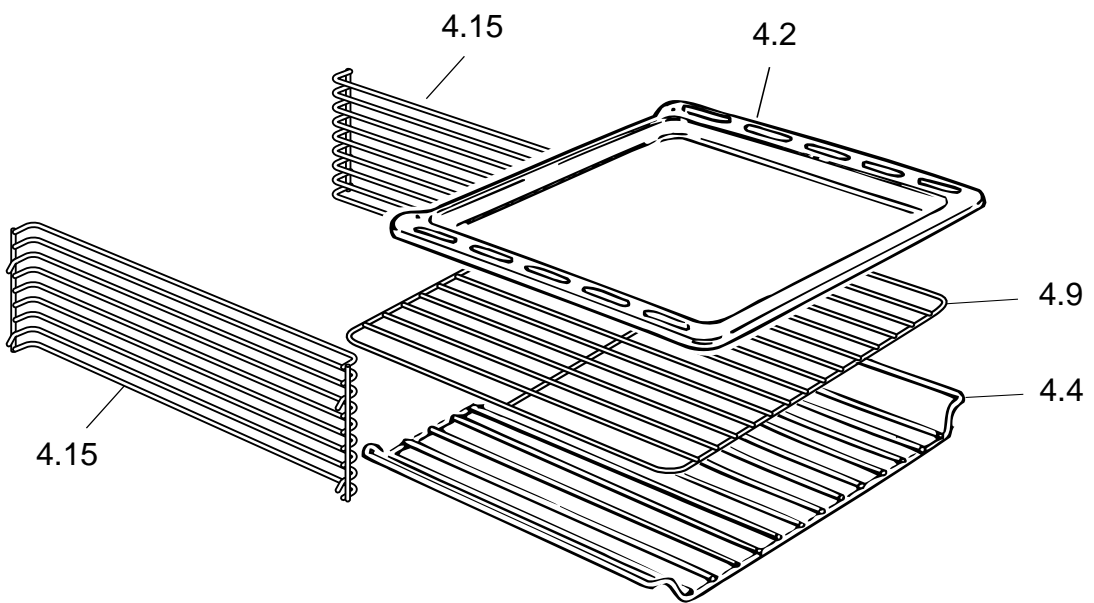
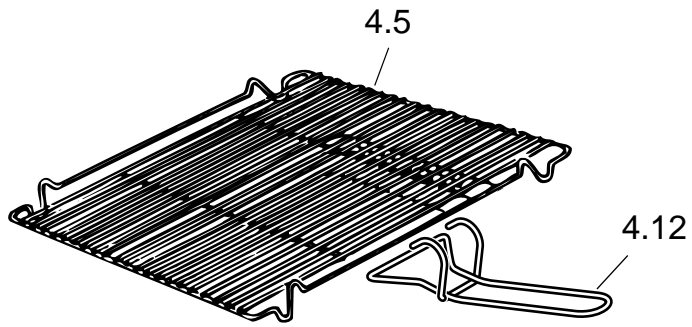


3/3.GB

**OVEN DOOR**  
**Mod. C 306F/SS**

Ref. Table: 3/3.GB

<u>REF.</u>	<u>CODE</u>	<u>DESCRIPTION</u>
3.1	032UM1614V	Outer glass
3.3	037173060	Handle
3.6	001184	Screw - 5MAx40
3.13	103205	Inner glass washer
3.14	001024	Screw
3.17	085039061	Sleeve
3.19	214021	Nut with clips
3.20	003035	Silicone washer
3.22	003041	Washer
3.24	0311086.1T	Top oven inner glass
3.25	053086	Top oven glass seal
3.26	063065	Top oven hinge (male)
3.27	063066	Top oven hinge (female)
3.28	411UM05	Top oven insulation support
3.30	030064	Top oven door insulation
3.31	373FUM03K	Top oven door skin

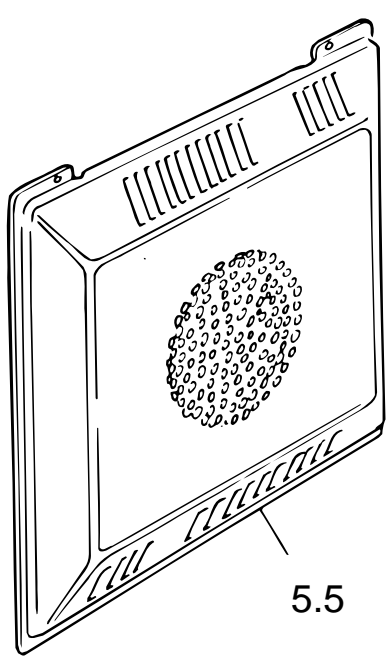
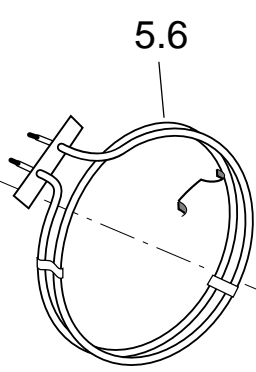
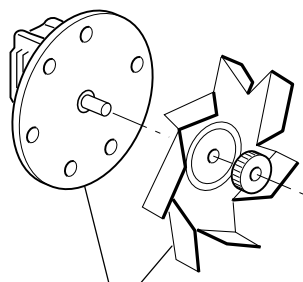
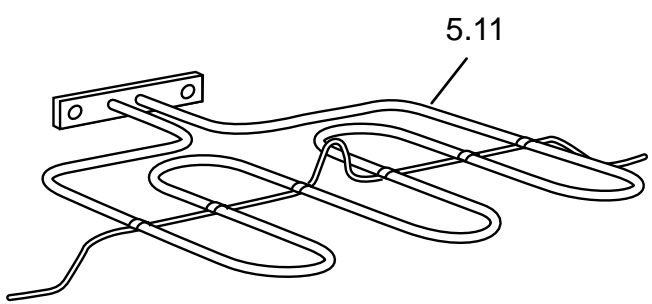
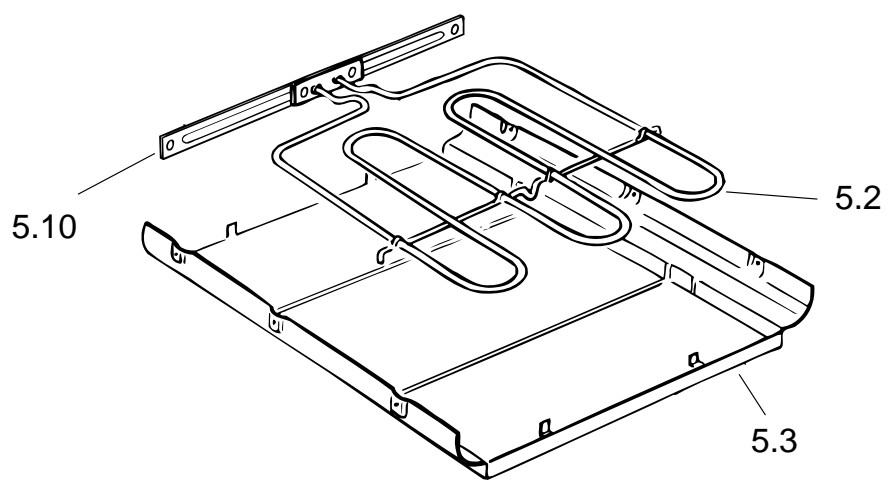
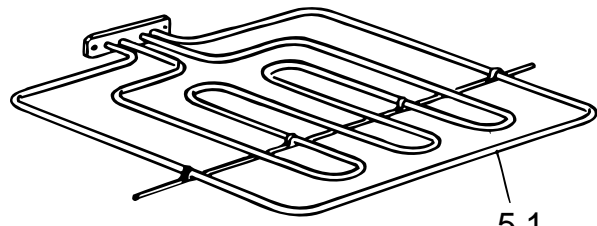


3/4.B

**OVEN EQUIPMENT**  
**Mod. C 306F/SS, C 306F/W**

Ref. Table: 3/4.B

<u>REF.</u>	<u>CODE</u>	<u>DESCRIPTION</u>
4.2	48B5102K	Oven tray
4.4	217271	Wire shelf
4.5	217385	Grill-pan grid
4.9	217270.1	Wire shelf
4.12	037144	Grill-pan grid handle
4.15	217503	Shelf support

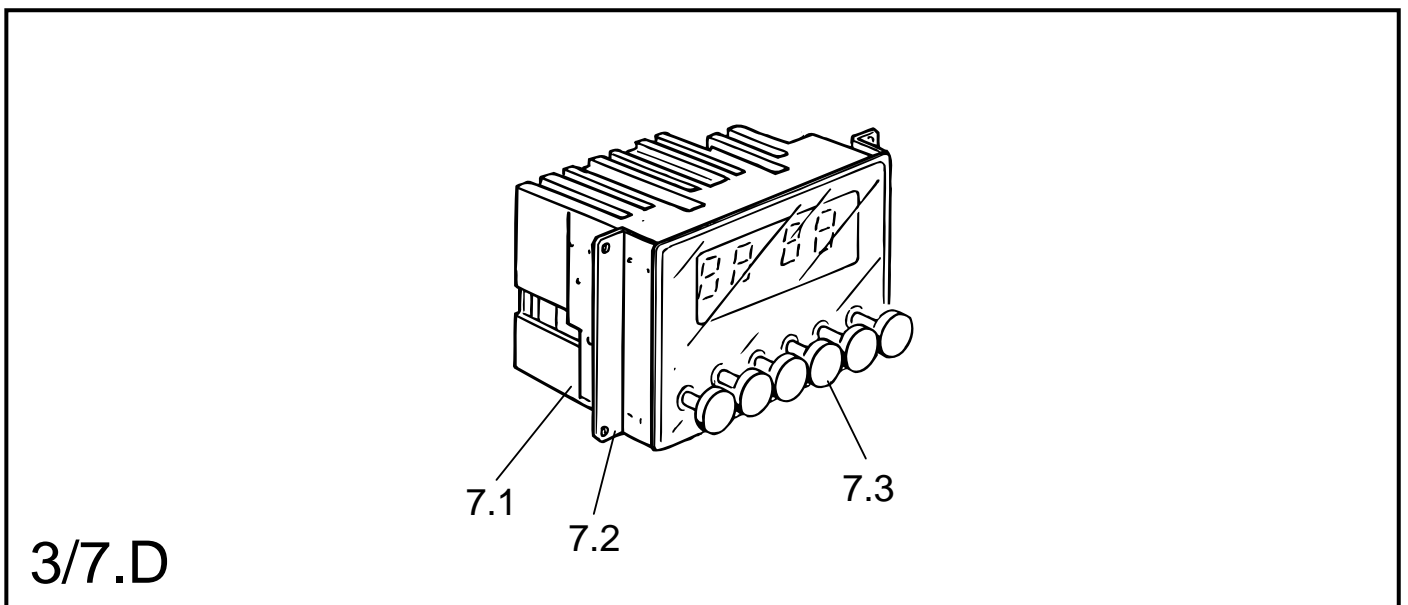
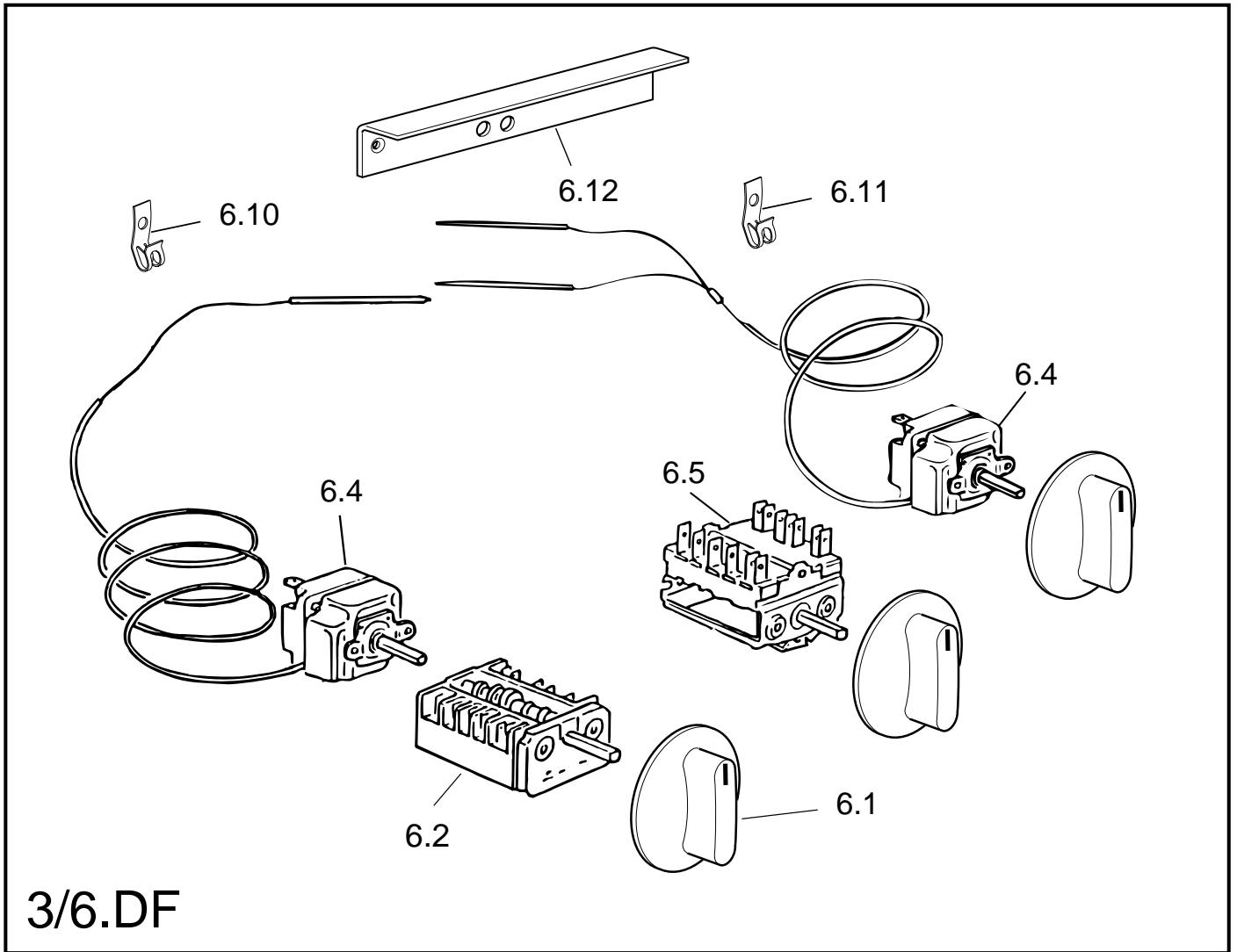


3/5.A

**CONVECTION AND FAN OVENS**  
**Mod. C 306F/SS, C 306F/W**

Ref. Table: 3/5.A

<u>REF.</u>	<u>CODE</u>	<u>DESCRIPTION</u>
5.1	062072004	Top grill element - 230 V
5.2	062058004A	Top oven bottom element - 230 V
5.3	421FG01Z	Element shelter
5.5	47ADS01K	Fan diffuser
5.6	062086004	Fan element - 230 V
5.7	079021	Fan motor - 220/240 V
5.10	094207	Bottom element fixing bar
5.11	062082004	Grill element - 230 V



**SWITCHES & THERMOSTATS**  
**Mod. C 306F/SS, C 306F/W**

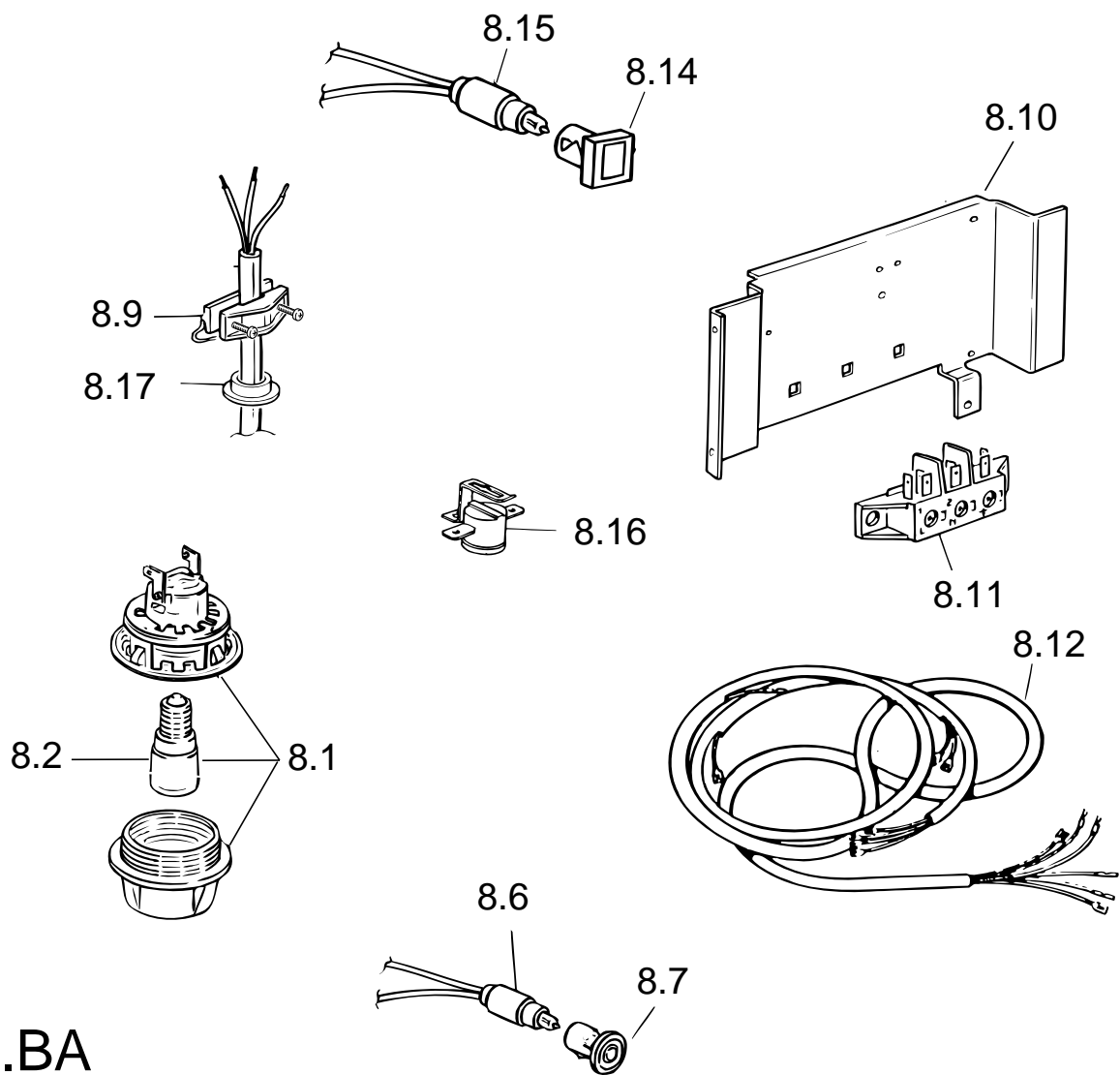
Ref. Table: 3/6.DF

<u>REF.</u>	<u>CODE</u>	<u>DESCRIPTION</u>
6.1	218A003102	Control knob - Mod C 306F/W
=	218P002103	Control knob - Mod C 306F/SS
6.2	050040.1	Switch
6.4	066072	Thermostat
6.5	050045	Switch
6.10	213023	Clip
6.11	213025	Clip
6.12	094289	Bulb thermostat protection

**PROGRAMMER**  
**Mod. C 306F/SS, C 306F/W**

Ref. Table: 3/7.D

<u>REF.</u>	<u>CODE</u>	<u>DESCRIPTION</u>
7.1	074041	Electronic programmer
7.2	094120	Electronic programmer chassis - Mod C 306F/SS
7.3	103271035	Button (White)
=	103271080	Button (Black)

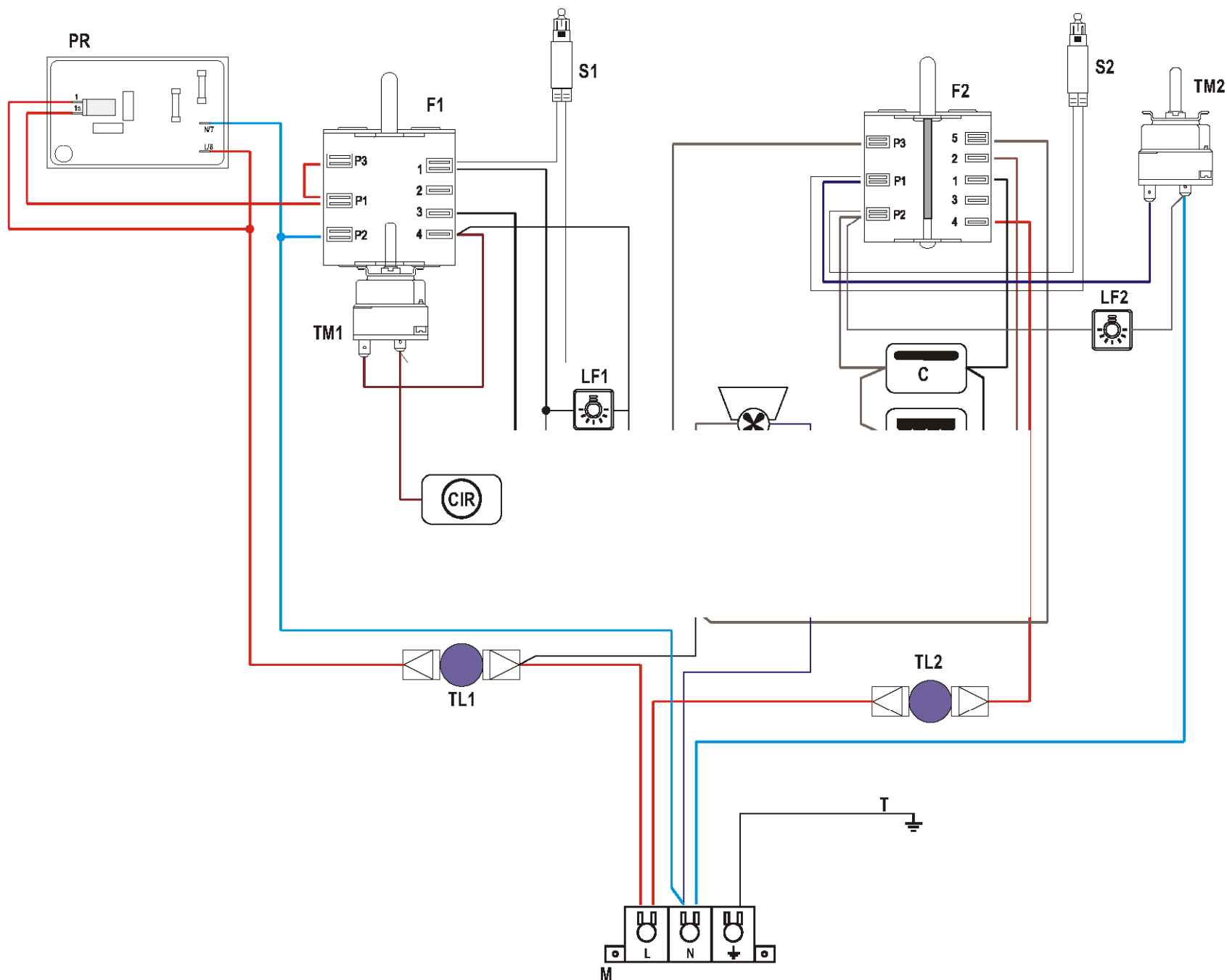


3/8.BA

**ELECTRICAL EQUIPMENT**  
**Mod. C 306F/SS, C 306F/W**

Ref. Table: 3/8.BA

<u>REF.</u>	<u>CODE</u>	<u>DESCRIPTION</u>
8.1	072004	Lamp holder
8.2	073013001	Lamp
8.6	073038.2	Control lamp L=200 - Mod. C306F/SS
8.7	073034	Control lamp cover (Orange) - Mod. C306F/SS
8.9	052008	Wire fastener
8.10	094162	Terminal bracket
8.11	051038	Terminal block
8.12	1131163	Wiring
8.14	073030	Control lamp cover (rectangular) (Red) - Mod. C306F/W
8.15	073031	Control lamp L=230 - Mod. C306F/W
8.16	066123	Cut-off thermostat 160°
=	066073	Cut-off thermostat 150°
=	066080	Cut-off thermostat 55°
8.17	052007	Anti-shock
—	1101550	Instruction booklet



**ELECTRIC DIAGRAM KEY**

- TOP OVEN**  
 F2 Oven switch  
 TM2 Oven thermostat  
 S2 Thermostat pilot lamp  
 LF2 Oven lamp  
 C Top element  
 G2 Grill element  
 S Bottom element  
 TL2 Thermal overload

- BOTTOM OVEN**  
 F1 Oven switch  
 TM1 Oven thermostat  
 S1 Thermostat pilot lamp  
 LF1 Oven lamp  
 CIR Circular element  
 V Fan  
 TL1 Thermal overload  
 PR Programmer 1P

- CF Cooling fan  
 TL3 Cooling fan thermolimitator  
 M Terminal block  
 T Earth connection



**C306F/SS**

Cape Built Under Double Oven