



# C291 M/SS

Caple 900mm M.Func Oven Stainless

TECHNICAL INFORMATION

HFA32PCI7T - 101-80X ST.STEEL OVEN 900 MULT. Elba FF90EX001X

ref.	code	description
0501	2183442S15	KNOB Elba ST.STEEL
0504	1190000009	FASTENING RING INNER FOR CONTROL PANEL
0505	1190000006	FASTENING RING FOR CONTROL PANEL
0508	103271080	SWITCH PROGR. BLACK EL198/202
0509	1170000537	PROGRAMMER 5 SWITCHES EL145/251.24A GR
0510	1130050012	GLASS CONTROL PANEL 948 EL.PR.
0511	2320000917	CONTROL PANEL SUPPORT ST.STEEL 948
0512	1170000019	YELLOW LIGHT COVER
0513	1170000018	GREEN NEON LIGHT COVER
0514	1110000458	LIGHT FOR YELLOW COVER TFL656PZT
0515	1110000459	LIGHT FOR GREEN COVER
0516	1170000571	THERMOSTAT 2 BULBS EGO 55.19059.830 o948
0517	1110000493	SELECTOR 9+0
0529	2320000834	CONTROL PANEL ELBA ST.STEEL 948MPE
0546	2320000582	BOTTOM ELEMENT CASING OVEN 948
0549	2320000580	ELEMENT SUPPORT OVEN 948
0550	1170000550	TOP+GRILL ELEM. 230V 1050+2500W 4T. 948
0552	1190000043	PROBE HOLDER THERMOSTAT EL MO/A 105
0553	1170000032	FAN MOTOR 230V 50HZ VR150
0554	1170000551	CIRC. ELEMENT 230V 2500W 3T 948
0556	2310010088	FAN DIFFUSER 948
0557	1170000588	OVEN LAMP 50HZ 25W
0560	1240000031	TRIVET GRID 948
0561	2310010190	DRIP TRAY 90
0563	1240000030	HANDLE 948 OVEN TRAY
0566	1170000552	BOTTOM ELEMENT 230V 1550W OVEN 948
0567	1240000029	WIRE RACKS SIDE OVEN 948/960
0568	1190000008	SUPPORT WIRE RACKS SIDE
0569	1170000585	SPIT MOTOR
0570	1240000028	SPIT SUPPORT
0571	1250000036	SPIT ROD MM 505 948
0574	2320000512	OUTER CASING OVEN 948
0575	2320000513	RIGHT SIDE OVEN 948/960
0576	2320000514	LEFT SIDE OVEN 948/960
0580	1260000007	HINGE SUPPORT
0582	2310010441	OVEN CUBE FAN SMOOTH 948
0583	1250000038	GASKET OVEN 948 5L. MATR.06379
0584	1170000036	THERMOSTAT SAFETY TY T145
0587	1170000544	FAN MOTOR RAD. TWIN LINE
0588	1260000105	INSULATION REAR 948/960 Eurover B
0589	1260000104	INSULATION BAND 948/960
0591	1250000078	GASKET INSIDE EXT..GLASS 948
0592	1160002007	INNER THERMOGLASS REMOV. 948
0593	1190000057	OVEN DOOR STOP SCREW
0594	2310010153	INNER DOOR SKIN 948
0595	1250000035	GASKET DOOR UPPER 948 MATR.3386 L=190
0597	1260000079	HINGE OVEN DOOR 948
0600	037200061	HANDLE Elba ST.STEEL
0601	2320000751	HANDLE HOLDER INNER
0602	1160001241	GLASS STOPSOL TYPE F/B 948

0604	2300520588	UPPER BAND OVEN DOOR ST.STEEL 948
0605	2300520587	OVEN DOOR BOTTOM BAND S/STEEL 948
0633	1240000024	OVEN GRID W/STOP OVEN 948
0635	2320000511	OUTER CASING OVEN 948
0671	2320000581	SUPPORT FAN 948
0717	1240000026	GRID COVER RAD. FAN MOTOR
0718	2320000586	SUPPORT CONT. PAN. INNER EL.PR. 948
0721	2320001812	REAR CLOSURE OVEN 948/960
0722	2320001367	UPPER BONNET PANEL OVEN CUBE 948
0723	2320000901	LOWER BONNET PANEL OVEN CUBE 948
0724	2320000583	BRACKET OVEN CUBE 948
0725	2320000585	LOWER CLOSURE OVEN 948
0726	2320000613	LEFT FRAME POST ST.STEEL 948 OVEN
0727	2320000612	LOWER FRAME ST.STEEL OVEN 948
0728	2320000738	UPPER FRAME ST.STEEL OVEN 948
0734	1170000061	CABLE GG+TERMINAL BLOCK 1200MM H05RR-F
0825	1240000063	HANDLE FOR HANDLING OVENS

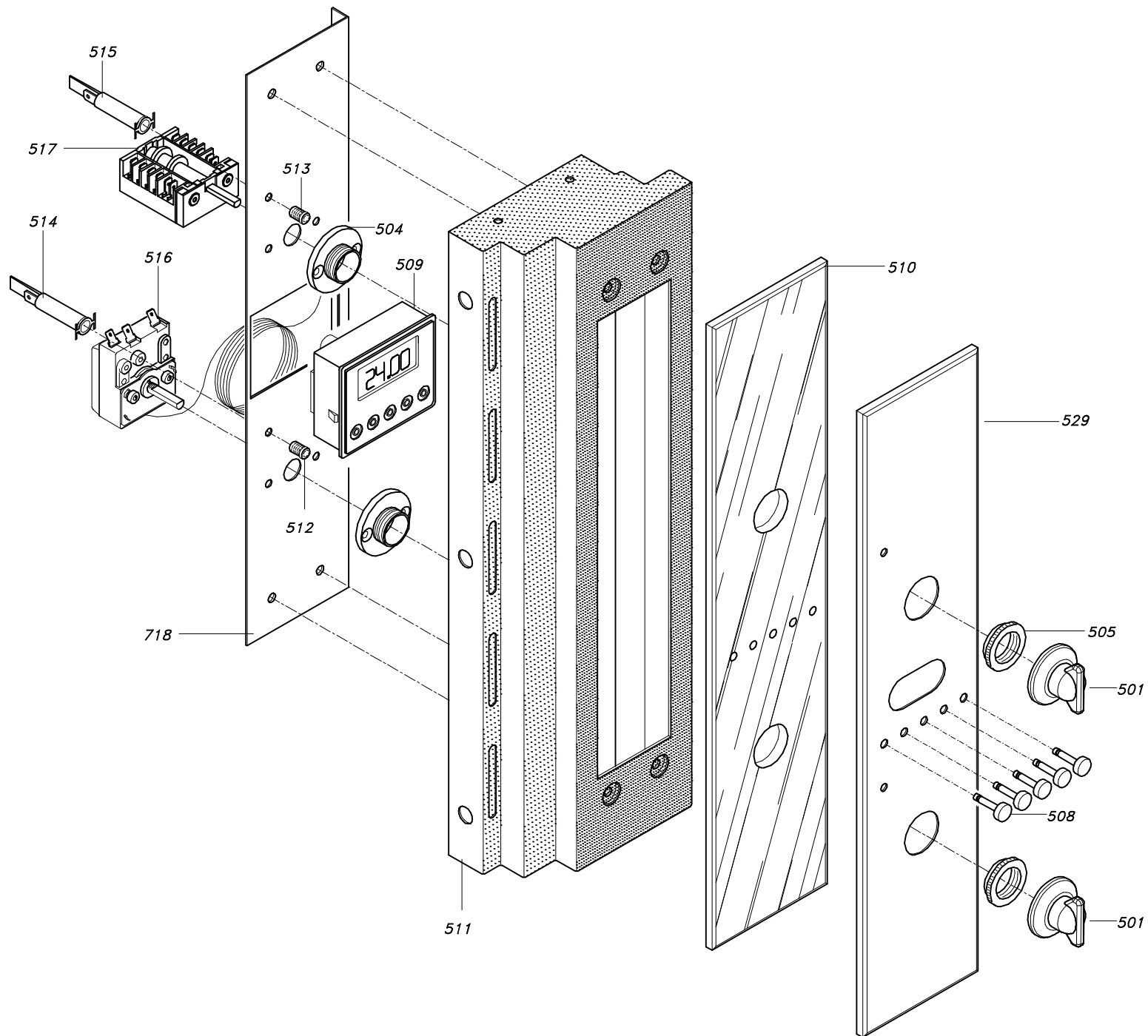
**6.143 - 20.51 - 24.18 - 26.17**

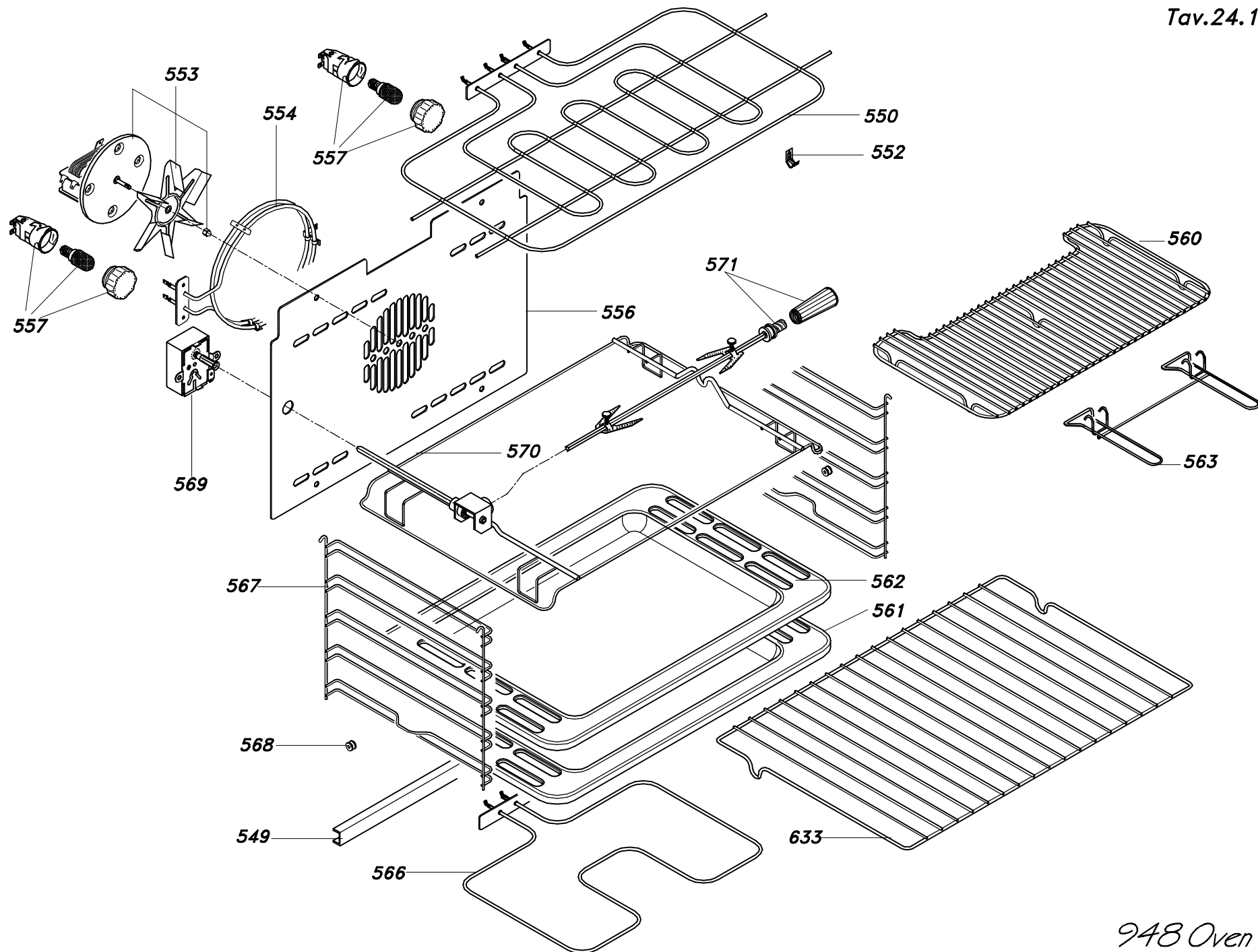
HFA32PCI7T - 101-80X INOX F.900 MULT. Elba FF90EX001X

ricambio	codice	descrizione
0501	2183442S15	MANOPOLA DeLonghi/ELBA INOX
0504	1190000009	CONTRODADO FISS. VCR FP01065 ZIGR.PLATIC
0505	1190000006	GHIERA FISS. VCR FP04020 IN PLASTICA
0508	103271080	PULSANTE PROGR. NERO EL198/202
0509	1170000537	PROGRAMM. 5 PULS. EL145/251.24A VERDE
0510	1130050012	VCR GREZZO 948 PR.EL.CENTR.2 FORI 2 LUCI
0511	2320000917	CONTROCR. EST. 948 INOX x FTL PELATO**
0512	1170000019	GEMMA SPIA LUMINOSA GIALLA 272999040T
0513	1170000018	GEMMA SPIA LUMINOSA VERDE 272999030T
0514	1110000458	LUCE SPIA GIALLA C/RES. ANTIL.27526000D5
0515	1110000459	LUCE SPIA VERDE C/RES. ANTIL.27526000C6
0516	1170000571	TERMOST. 2 BULBI EGO 55.19059.830 f948
0517	1110000493	COMM. 9+0 42.00001.001
0529	2320000834	FTL ELBA IX 948MPE CENTR.IMP.450 MC110
0546	2320000582	CASSETTA P/RESIST.FORNO 948/960 FINITA**
0549	2320000580	SUPPORTO RESISTENZA EL. 948/960 FINITO**
0550	1170000550	RESIST. C+G 230V 1050+2500W 4SP 948/960
0552	1190000043	PRESTOLA FERMA BULBO EL MO/A 105
0553	1170000032	*MOTOVENTILATORE RAD. 230V 50HZ VR150**
0554	1170000551	RESIST. CIRC. 230V 2500W 3 SPIRE 948/960
0556	2310010088	DEFLET. ARIA 948 FINITO NERO
0557	1170000588	PORTALAMPADA 50HZ 25W BJB 77.222.1104.10
0560	1240000031	GRIGLIA TRIVET 948
0561	2310010190	LECCARDA FORNO 90 SMALT. NERA
0563	1240000030	MANIGLIA ESTRAZIONE 948
0566	1170000552	RESIST. SUOLA 230V 1550W 948 1R38983
0567	1240000029	GRIGLIA LATERALE FORNO DX-SX 948/960
0568	1190000008	NOTTOLINO GRIGLIE LAT. B59 X000720
0569	1170000585	MOTORIDUTTORE 956 L34 PR033 POTENZ.948
0570	1240000028	GRIGLIA PORTASP. RIN. 90° 948
0571	1250000036	ASTA SPIEDO MM 505 RINVIO 90° 948
0574	2320000512	CIELO 948 PIEG.**
0575	2320000513	FIANCO DX 948/960 FINITO**
0576	2320000514	FIANCO SX 948/960 FINITO**
0580	1260000007	PORTA RULLO CERNIERA P/F
0582	2310010441	MUFFOLA VENT. LISCIA 948 C/CAM. SM.NERA
0583	1250000038	GUARNIZ. FORNO 948 5 LUN. MATR.06379
0584	1170000036	TERM.SIC.261 NC T145 ROSSO+2191611
0587	1170000544	VENTILATORE RAD. 720 EBM R2S175AB5648
0588	1260000105	LANA V. SCHIENA FORNO948/960 Eurover B
0589	1260000104	LANA V. FASCIA FORNO 948 Eurover Bianc
0591	1250000078	GUARNIZ. V/I 948 1810mm MATR.RG352
0592	1160002007	VPF INTERNO 948 THER. EST.N/O S/FORI
0593	1190000057	VITE ARRESTO VETRO INTERNO AVP
0594	2310010153	CONTROP. 948 V/E S/FORI FINITA NERA
0595	1250000035	GUARNIZ. S/P SPEZZ. 948/960 M.3386 L=190
0597	1260000079	CERNIERA P/F 948/960 ANTISCHIACC.
0600	037200061	MANIGLIA Elba/DeLonghi INOX
0601	2320000751	SUPP. MANIGLIA PIEG. s/BUGNE
0602	1160001241	VPF S/MARCHIO STOPSOL TIPO F/B 948 mm485

0604	2300520588	FASCIA SUP. P/F INOX DA VERN. 948 MM485
0605	2300520587	FASCIA INF. P/F INOX 948 DA VERN.
0633	1240000024	GRIGLIA FORNO CON ARRESTO FORNO 948/960
0635	2320000511	SCHIENA 948 PIEG.**
0671	2320000581	SUPP. VENTILATORE 948 FINITO**
0717	1240000026	GRIGLIA COPRI VENTILATORE RAD720/948/960
0718	2320000586	CONTROCR. INT. PR.EL.CENTR.948 FINITO
0721	2320001812	CHIUSURA POSTERIORE 948/960 FINITA CL.C*
0722	2320001367	COFANO SUP. COPRI MUFF. 948/960LAT.C/CAM
0723	2320000901	COFANO INF. COPRI MUFF. 948/960 LATER.
0724	2320000583	STAFFA PORTANTE MUFFOLA948/960G FINITA*
0725	2320000585	CHIUSURA INF. 948 FINITA*****
0726	2320000613	PIANTONE CORN. SX 948 INOX PELATO**
0727	2320000612	ZOCCOLO CORN.INFERIORE 948 INOX PELATO**
0728	2320000738	ZOCCOLO CORN. SUPERIORE 948 INOX PELATO*
0734	1170000061	CAVO ALIM.G/G+MORS.EST.1200MM H05RR-F**
0825	1240000063	MANIGLIA PRESA FORNI B600

**6.143 - 20.51 - 24.18 - 26.17**





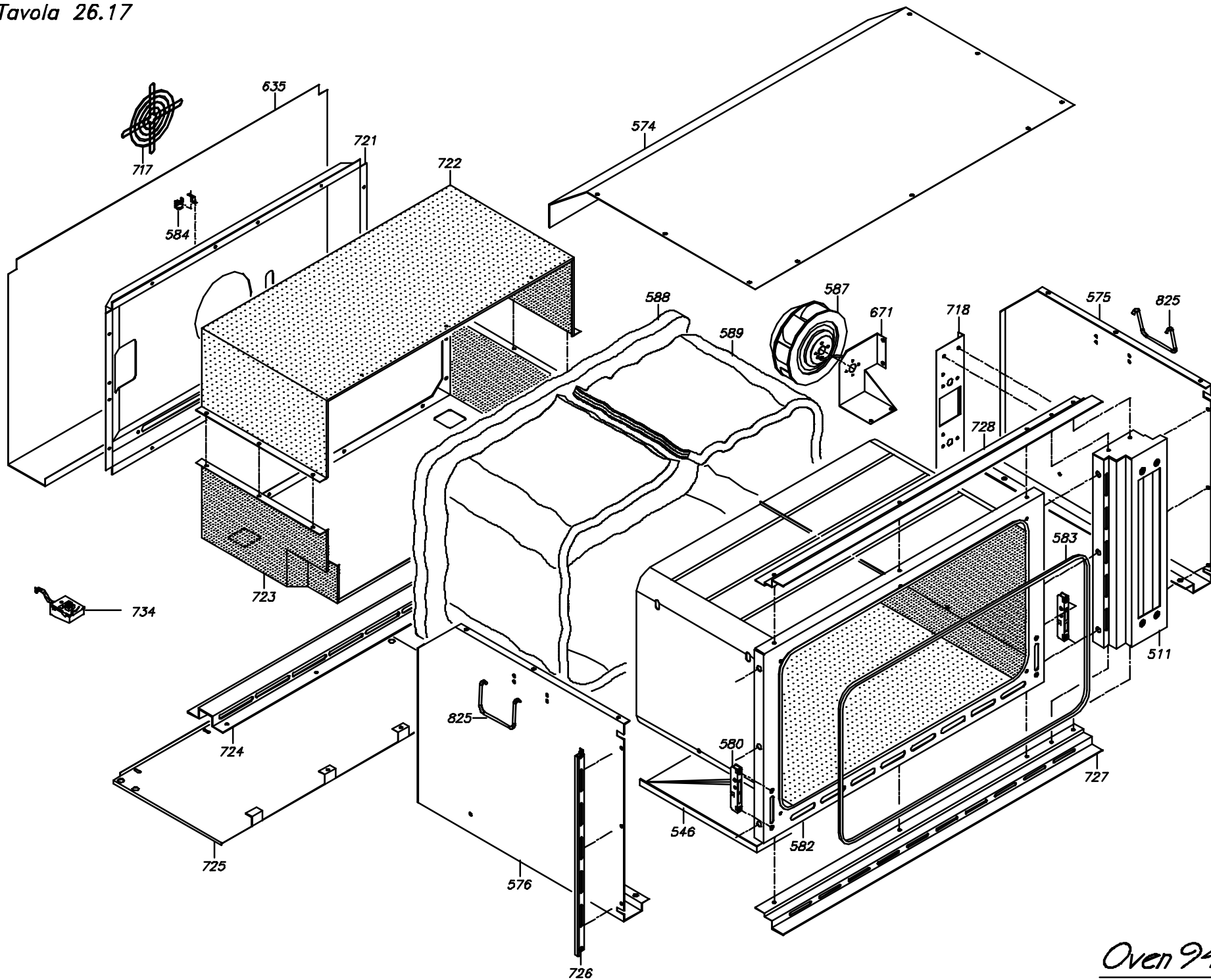
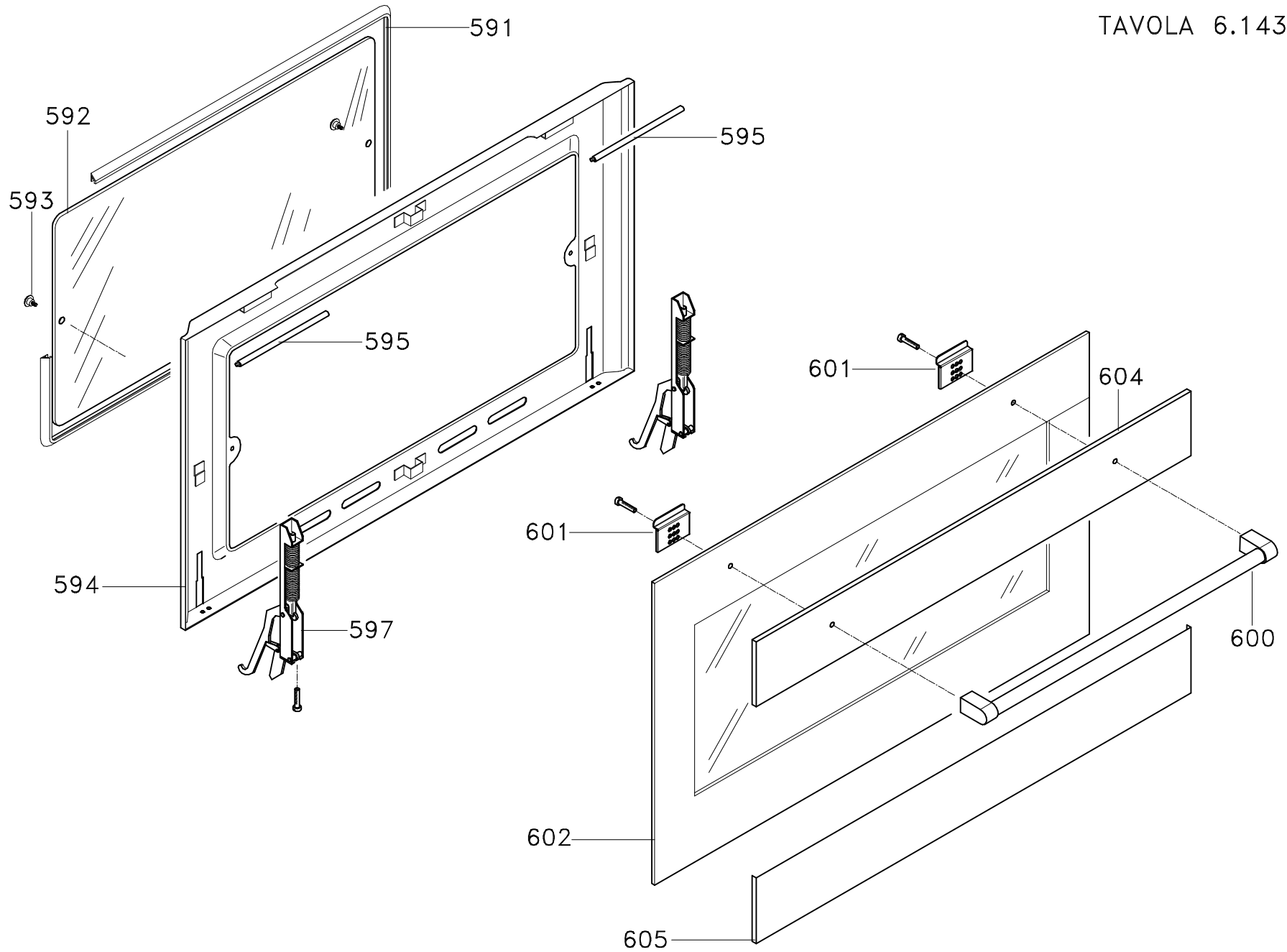
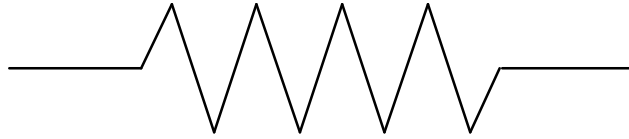


TAVOLA 6.143



100 Ohm 10 W.



CODE	000-451
DESCRIPTION	COOLING FAN WIRE X X X
NOTES	X X X X
DATE	X
MODIFICS	X

- A = ACCENSIONE/IGNITION/ALLUMAGE/ENCENDIDOR  
 IP = BLOCCO PORTA/DOOR LOCKING SYSTEM/BLOQUEE PORTE/CERRADOR PUERTA  
 C = COMBINATORE/SELECTOR/COMBINATEUR/COMBIDADOR  
 C1 = COMBUT./SELECT./COMBUT./COMJ. COX  
 CA = CATALIZZATORE/CATALYST SYSTEM/CATALIZADOR/CATALIZADOR  
 CA = COMBUT.PURIN/PLATE SELECT./COMBUT.PLAQUE/COMJ.PLACA  
 D = DECODER THERMOSTAT/THERMOSTAT DEC./DEC. THERMOSTAT/DEC. THERMOSTATO  
 D1 = DECODER COMBINATURE/SELECTOR DEC./DEC. COMBATEUR/DEC. COMBIDADOR  
 FC = FINE COTTURA/END COOKING/FIN COUSURE/TEMPORIZZATOR ELEC. (120 min.)  
 C = CERRADORO/TURKISH/TOURNEBROCHE/RUSTEPOLLOS  
 H = FILTRO ANTOSURUBO/NOOD INTERFERENCE  
 A = MICRO ACCENSIONE/MICRO SWITCH/MICRO ALLUMAGE/MICRO ENCENDIDOR  
 G = MICRO GRILL/GRILL SWITCH/MICRO GRILL/MICRO GRILL  
 P = MICRO PORTA/DOOR SWITCH/MICRO PORTE/ MICRO PUERTA  
 L = FASE/LINE/PHASE/TASE  
 H = MARCHETTO/TERMINAL BLOC/BORNER/REBLEA DE CONEXION  
 H1 = MCRSETTO LUCE PIANO/TERMINAL BLOC HOZ SIGNAL LAMP/  
 BORNE LAMPE PLAQUE/BLOCCO DE CONNEXION PILOTO PLACA  
 MP = MANIPOLA TERM./NOZ TERM./MANETTE TERM./MANECILLA TERM. P-FULL  
 MP1 = MANIPOLA COMBINATORE/SELECTOR KNIFE/  
 MANETTE COMBIDOR/MANECILLA COMBIDADOR P-FULL  
 N = NEUTRO/MULTI/NEUTRE/NEUTRO  
 CA = OROLOGIO ANALOGICO/ANALOGUE CLOCK/HORLOGE ANALOGIQUE/RELOJ ANALOGICO  
 PA = PROGRAMMABILE/ANALOGUE TIMER/PROGRAMMABLE/PROGRAMMABLE  
 PE = PROIEZIONE/ELECTRONIC MESH/PROELECTRONIQUE/PROELECTRONICO  
 PL = LUCE FORNO/OVEN LIGHT/LAMPE FOUR/LUZ HORNO  
 PM = PROGRAMMABILE/MECHANICAL TIMER/REG. MECANIQUE/PROGRAMMABILE  
 RE = RESIST. ENERGIA/ENERGY RES./RES. D'ENERGIE/RESIST. ENERGIA  
 SC = SCHEDA LED ICONE CIRCULARE/LED WITH CIRCULAR ICONS  
 SL = SCHEDE LED LINEARE CON DISPLAY/LED WITH DISPLAY  
 S1 = SPA THERMOST./THERMOST. SIGNAL LAMP/TEMPON THERMOST./PILOTO THERMOST.  
 S2 = SPA SIGNAL LAMP/LAMPE TEMPON/PILOTO ON-OFF (VERDE/GREEN/VERT/VERDE)  
 S3 = SPA BL.PORTE/LOCKING DOOR SLAMP/TEMPON BLOQUEE PORTE/PL. IL. PUERTA  
 S4 = SPA PROIEZIONE/PROIEZIONE SLAMP/TEMPON PROIEZIONE/PILOTO PROIEZIONE  
 SR = SPA RESCI. ENERGIA/ENERGY RES./TEMPON REG. D'ENERG./PILOTO REG. ENERGIA  
 ST = SPA VENTILATORE/COOLING FAN SLAMP/TEMPON VENTILATEUR/PILOTO VENTILADOR  
 T = THERMOSTATO/THERMOSTAT/THERMOSTAT/THERMOSTATO  
 TL = SENS./SWITCH THERMOSTATO/THERMOSTAT B-C/THERMOSTAT B-C/THERMOSTATO B-C  
 TL1 = SENS./SWITCH COMBINATURE/SELECTOR B-C/B-C. COMBINATEUR/B-C. COMBIDADOR  
 TP = THERMOSTATO PIROLITICO/THERMOSTAT PYROLITIC/THERMOSTAT PYROLYSE/THERMOSTATO PIROLITICO  
 TS = THERMILI SICUREZZA/THERMAL CUT-OFF/THERMILIE SECURITE/THERMILIE SECURINDO  
 TT = THERMIVENTILATORE/COOLING FAN THERM./THERMIVENTILATEUR/THERMIVENTILADOR  
 VR = VENTILATORE INERZIALE/FAN MOTOR/VENTILATEUR INERZIALE/VENTILADOR DE COCCION  
 VT = VENTILATORE INERZIALE/COOLING FAN/MOT. DE REFRIGEREMENT/VENTILADOR DE REFR.  
 1 = RESISTENZA CILINDRICA/HEATING ELEMENT/RESIST. CYLINDR./RESIST. PRINCIPAL SUPERIOR  
 2 = RESISTENZA GRILL/GRILL HEATING ELEMENT/RESISTANCE GRILL/RESIST. GRILL  
 3 = RESISTENZA SUGOLA/BOTTOM HEATING ELEMENT/RESISTANCE SOLE/RESIST. INFERIOR  
 4 = RESISTENZA CIRCULARE/CIRCULAR HEATING ELEM./RESIST. CIRCULARE/RESIST. TURBO  
 K = MESSA A TERRA/CONNESSIONE/CONTACT TERMINAL/TURKISH/  
 FIL DE TERRE/TOURNEBROCHE/HILD DE TIERRA/RUSTEPOLLOS  
 KPL = M.L. PORTALAMPADA/L.T. LAMP HOLDER/F.L.LAMPE FOUR/L.T. LIZ HORNO  
 KR1P = M.L. RESIST.SUPERIORE/L.T. TOP ELEM./F.L. RESIST. SUPERIEUR/L.T. RESIST. SUPERIOR  
 KR1F = M.L. RESIST.INFERIORE/L.T. BOTTOM ELEM./F.L. RESIST. INFERIEUR/L.T. RESIST. INFERIOR  
 KVR = M.L. MOT./MOTORE/L.T. FAN MOTOR/F.L. MOT. INERZIALE/VENTILADOR DE COCCION  
 KRCR = M.L. RESIST.CIRCULARE/L.T. CIRCULAR ELEM./F.L. RESIST. CIRCULARE/L.T.RESIST. TURBO  
 KT = M.L. THERMOST. A GAS/L.T. GAS THERMOST./F.L. THERMOST. GAZ/L.T. THERMOST. DE GAS  
 KPE = M.L. PRESS./L.T. PRESS./F.L. PRESS./L.T. PRESS.  
 KVT = M.L. VENTILATORE/L.T. COOLING FAN/F.L. VENTILATEUR/L.T. VENTILADOR  
 KP = M.L. PIANO/L.T. HOZ/F.L. PLAIN/L.T. PLANO  
 KLM = M.L. TEMPO/L.T. OUTER FRAME/F.L. CHASSIS/L.T. CHASSIS
- IT/EN/FR/SP  
 00 = NERO/BLACK/NOIR/NEGRO  
 11 = BIANCO/WHITE/BLANC/BLANCO  
 22 = ROSSO/RED/ROUGE/ROJO  
 33 = ARANCIONE/ORANGE/ORANGE/ARANCO  
 44 = GIALLO/YELLOW/JAUNE/AMARILLO  
 45 = BILIO-VERDE/YELLOW-GREEN/JAUNE-VERT/AMARILLO VERDE  
 66 = BLU/BLUE/BLEU/AZUL  
 77 = VIOLET/VIOLET/VIOLETA  
 88 = GRIGIO/GRAY/GRIS/GRIS  
 89 = BIANCO/WHITE/BLANC/BLANCO (B-B-B-B)  
 90 = NERO/BLACK/BLACK/NOIR/NEGRO  
 91 = B-B-BIANCO/WHITE/BLANC/BLANCO/WHITE/BLANC  
 92 = B-B-ROSSO/RED/ROUGE/ROJO  
 93 = B-B-ARANCIONE/ORANGE/ORANGE/ARANCO  
 94 = B-B-GIALLO/YELLOW/JAUNE/AMARILLO  
 95 = B-B-VERDE/WHITE/VERT/VERDE  
 96 = B-B-BLU/BLUE/BLEU/AZUL  
 97 = B-B-VIOLETA/VIOLET/VIOLETA  
 98 = B-B-GRIGIO/GRAY/GRIS/GRIS



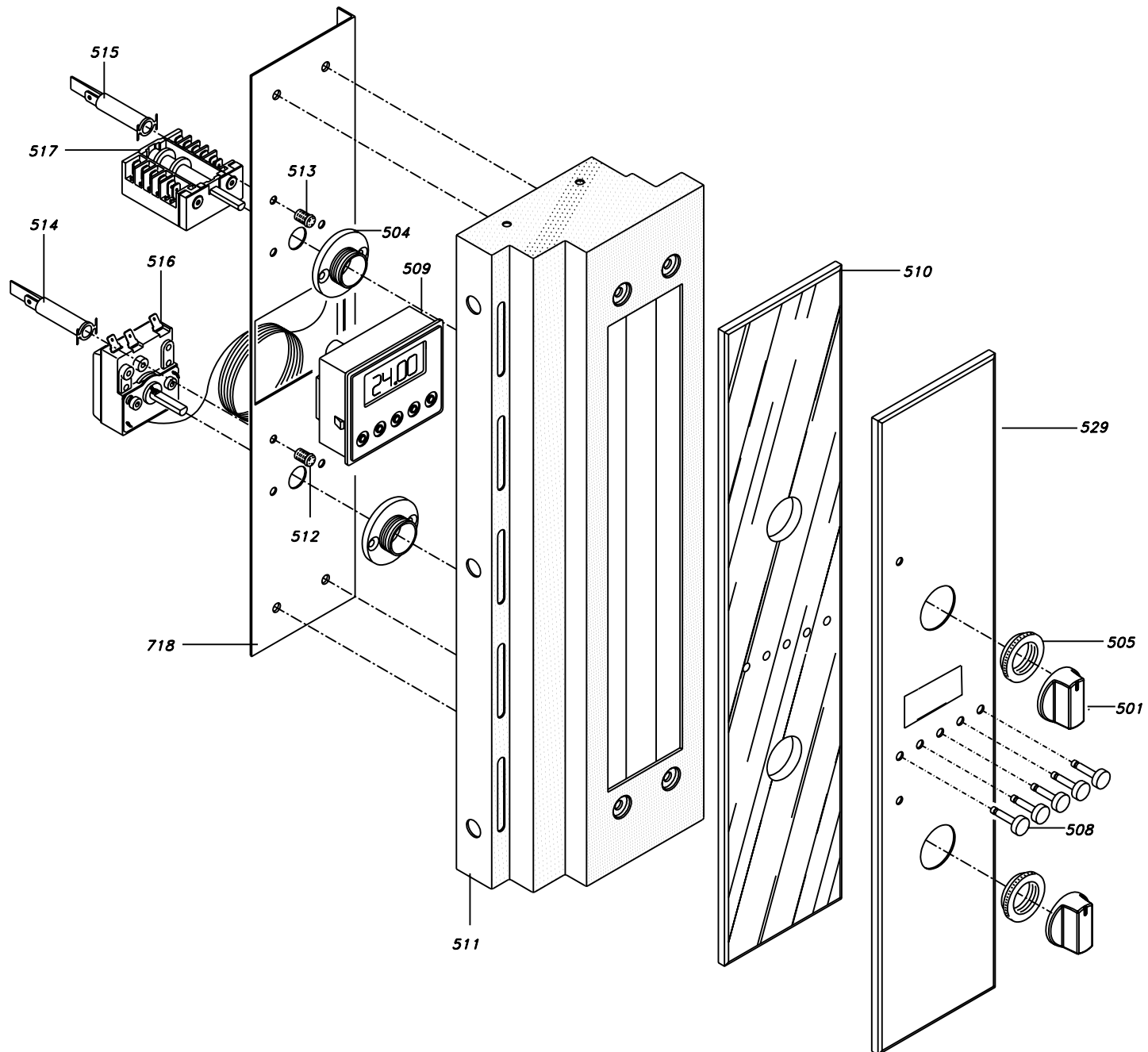
FROM 01.07.2009

HFA32PCI7T - 101-80X INOX F.900 MULT. Elba FF90EX001X

Ref.	code	description
0501	1180002173	KNOB PRESTIGE07 NICHEL 2183009472
0504	1190000006	FASTENING RING FOR CONTROL PANEL
0505	1190000009	FASTENING RING INNER FOR CONTROL PANEL
0508	1170000096	SWITCH PROGR. BLACK EL198/202
0509	1170000537	PROGRAMMER 5 SWITCHES OT-2000-LED-SD-G
0510	1130050012	GLASS CONTROL PANEL 948 EL.PR.
0511	2320000917	CONTROL PANEL SUPPORT ST.STEEL 948
0512	1170000019	YELLOW LIGHT COVER
0513	1170000018	GREEN NEON LIGHT COVER
0514	1110000458	LIGHT FOR YELLOW COVER TFL656PZT
0515	1110000459	LIGHT FOR GREEN COVER
0516	1170000571	THERMOSTAT 2 BULBS EGO 55.19059.830 o948
0517	1110000493	SELECTOR 9+0
0529	2320000834	CONTROL PANEL ELBA ST.STEEL 948MPE
0546	2320000582	BOTTOM ELEMENT CASING OVEN 948
0549	2320000580	ELEMENT SUPPORT OVEN 948
0550	1170000550	TOP+GRILL ELEM. 230V 1050+2500W 4T. 948
0552	1190000043	PROBE HOLDER THERMOSTAT EL MO/A 105
0553	1170000032	FAN MOTOR 230V 50HZ VR150
0554	1170000551	CIRC. ELEMENT 230V 2500W 3T 948
0556	2310010088	FAN DIFFUSER 948
0557	1170000987	LAMP OVEN 50hz 25w T300 2A P555B41H
0560	1240000031	TRIVET GRID 948
0561	2310010190	DRIP TRAY 90
0563	1240000030	HANDLE 948 OVEN TRAY
0566	1170000552	BOTTOM ELEMENT 230V 1550W OVEN 948
0567	1240000029	WIRE RACKS SIDE OVEN 948/960
0568	1190000008	SUPPORT WIRE RACKS SIDE
0569	1170000031	SPIT MOTOR
0570	1240000028	SPIT SUPPORT 948 '06
0571	1250000036	SPIT ROD MM 505 948
0574	2320000512	OUTER CASING OVEN 948
0575	2320000513	RIGHT SIDE OVEN 948/960
0576	2320000514	LEFT SIDE OVEN 948/960
0580	1260000007	HINGE SUPPORT
0582	2310010511	OVEN CUDE FAN 948
0583	1250000038	GASKET OVEN 948 5L. MATR.06379
0584	1170000036	THERMOSTAT SAFETY TY T145
0587	1170000544	FAN MOTOR RAD. TWIN LINE
0588	1260000105	INSULATION REAR 948/960 Eurover B
0589	1260000104	INSULATION BAND 948/960
0591	1250000078	GASKET INSIDE EXT..GLASS 948
0592	1160002089	INNER THERMOGLASS 948
0593	1190000057	OVEN DOOR STOP SCREW
0594	2310010153	INNER DOOR SKIN 948
0595	1250000035	GASKET DOOR UPPER 948 MATR.3386 L=190

0597	1260000079	HINGE OVEN DOOR 948
0600	1180000503	HANDLE Elba ST.STEEL 037200061
0601	2320000751	HANDLE HOLDER INNER
0602	1160001241	GLASS STOPSOL TYPE F/B 948
0604	2300520588	UPPER BAND OVEN DOOR ST.STEEL 948
0605	2300520587	LOWER BAND OVEN DOOR ST.STEEL 948
0633	1240000024	OVEN GRID W/STOP OVEN 948
0635	2320000511	OUTER CASING OVEN 948
0671	2320000581	SUPPORT FAN 948
0717	1240000026	GRID COVER RAD. FAN MOTOR
0718	2320000586	SUPPORT CONT. PAN. INNER EL.PR. 948
0721	2320001812	REAR CLOSURE OVEN 948/960
0722	2320001367	UPPER BONNET PANEL OVEN CUBE 948
0723	2320000901	LOWER BONNET PANEL OVEN CUBE 948
0724	2320000583	BRACKET OVEN CUBE 948
0725	2320000585	LOWER CLOSURE OVEN 948
0726	2320000613	LEFT FRAME POST ST.STEEL 948 OVEN
0727	2320000612	LOWER FRAME ST.STEEL OVEN 948
0728	2320000738	UPPER FRAME ST.STEEL OVEN 948
0734	1170000061	CABLE GG+TERMINAL BLOCK 1200MM H05RR-F
0825	1240000063	HANDLE FOR HOLDING APPLIANCE
0977	2320001813	SUPPORT LOWER BAND OVEN DOOR

**Ref. 832 Oven door complete glass Code 2450000230 = ref. 602 GLASS O/D  
code 1160001241 qty 1 + ref. 604 and 605 UPPER AND LOWER BAND  
Code 2300520588 and code 2300520587 qty 1+1**



DAL 01.07.2009

HFA32PCI7T - 101-80X INOX F.900 MULT. Elba FF90EX001X

ricambio	codice	descrizione
0501	1180002173	MANOPOLA PRESTIGE07 NICHEL 2183009472
0504	1190000006	GHIERA FISS. VCR FP04020 IN PLASTICA
0505	1190000009	CONTRODADO FISS. VCR FP01065 ZIGR.PLATIC
0508	1170000096	PULSANTE Progr. NERO EL198/202
0509	1170000537	PROGRAMM. 5 PULS. GREEN 1R LED145/017
0510	1130050012	VCR GREZZO 948 PR.EL.CENTR.2 FORI 2 LUCI
0511	2320000917	CONTROCR. EST. 948 INOX x FTL PELATO**
0512	1170000019	GEMMA SPIA LUMINOSA GIALLA 272999040T
0513	1170000018	GEMMA SPIA LUMINOSA VERDE 272999030T
0514	1110000458	LUCE SPIA GIALLA C/RES. ANTIL.27526000D5
0515	1110000459	LUCE SPIA VERDE C/RES. ANTIL.27526000C6
0516	1170000571	*TERMOST. 2 B EGO 55.19059.830 f948/960
0517	1110000493	COMM. 9+0 42.00001.001 VERS.2
0529	2320000834	FTL ELBA IX 948MPE CENTR.IMP.450 MC110
0546	2320000582	CASSETTA P/RESIST.FORNO 948/960 FINITA**
0549	2320000580	SUPPORTO RESISTENZA EL. 948/960 FINITO**
0550	1170000550	*RESIST. C+G 230V 1050+2500W 4SP 948/960
0552	1190000043	PRESTOLA FERMA BULBO EL MO/A 105
0553	1170000032	MOTOVENT. RAD. 50/60HZ VR150
0554	1170000551	RESIST. CIRC. 230V 2500W 3 SPIRE 948/960
0556	2310010088	DEFLET. ARIA 948 FINITO NERO
0557	1170000987	PORTAL. CERAM. 50HZ 25W T300 2A P555B41H
0560	1240000031	GRIGLIA TRIVET 948
0561	2310010190	LECCARDA FORNO 90 SMALT. NERA
0563	1240000030	MANIGLIA ESTRAZIONE 948
0566	1170000552	RESIST. SUOLA 230V 1550W 948 1R38983
0567	1240000029	GRIGLIA LATERALE FORNO DX-SX 948/960
0568	1190000008	NOTTOLINO GRIGLIE LAT. B59 X000720***
0569	1170000031	MOTOR. 20FCMTS101 50/60HZ 220/240V 5W
0570	1240000028	GRIGLIA PORTASP. RIN. 90° 948 '06
0571	1250000036	ASTA SPIEDO MM 505 RINVIO 90° 948
0574	2320000512	CIELO 948 PIEG.**
0575	2320000513	FIANCO DX 948/960 FINITO**
0576	2320000514	FIANCO SX 948/960 FINITO**
0580	1260000007	PORTA RULLO CERNIERA P/F
0582	2310010511	**MUFFOLA VENT. LISCIA 948 CL.C SM.NERA
0583	1250000038	GUARNIZ. FORNO 948 5 LUN. MATR.06379
0584	1170000036	TERM.SIC.261 NC T145 ROSSO+2191611
0587	1170000544	VENT. RAD. 720 EBM R2S175AB5648 50/60HZ
0588	1260000105	LANA V. SCHIENA FORNO948/960 Eurover B
0589	1260000104	LANA V. FASCIA FORNO 948 Eurover Bianc
0591	1250000078	GUARNIZ. V/I 948 1810mm MATR.RG352
0592	1160002089	VPF INTERNO 948 THER. EST.P/H Bomb+std
0593	1190000057	VITE ARRESTO VETRO INT. AVP B59/948**
0594	2310010153	CONTROP. 948 V/E S/FORI FINITA NERA
0595	1250000035	GUARNIZ. S/P SPEZZ. 948/960 M.3386 L=190

0597	1260000079	CERNIERA P/F 948/960 ANTISCHIACC.
0600	1180000503	MANIGLIA Elba/DeLonghi INOX 037200061
0601	2320000751	SUPP. MANIGLIA PIEG. s/BUGNE*****
0602	1160001241	VPF S/MARCHIO STOPSOL TIPO F/B 948 mm485
0604	2300520588	FASCIA SUP. P/F INOX DA VERN. 948 MM485
0605	2300520587	FASCIA INF. P/F INOX 948 DA VERN.
0633	1240000024	GRIGLIA FORNO CON ARRESTO 948/960
0635	2320000511	SCHIENA 948 PIEG.**
0671	2320000581	SUPP. VENTILATORE 948 FINITO**
0717	1240000026	GRIGLIA COPRI VENTILATORE RAD720/948/960
0718	2320000586	CONTROCR. INT. PR.EL.CENTR.948 FINITO
0721	2320001812	CHIUSURA POSTERIORE 948/960 FINITA CL.C
0722	2320001367	*COFANO SUP. COPRI MUFF. 948/960LAT.C/CA
0723	2320000901	*COFANO INF. COPRI MUFF. 948/960 LATER.*
0724	2320000583	STAFFA PORTANTE MUFFOLA948/960G FINITA*
0725	2320000585	CHIUSURA INF. 948 FINITA
0726	2320000613	PIANTONE CORN. SX 948 INOX PELATO**
0727	2320000612	ZOCCOLO CORN.INFERIORE 948 INOX PELATO**
0728	2320000738	ZOCCOLO CORN. SUPERIORE 948 IX PELATO
0734	1170000061	CAVO ALIM.G/G+MORS.EST.1200MM H05RR-F**
0825	1240000063	MANIGLIA PRESA FORNI B600
0977	2320001813	RINFORZO INFERIORE FASCIA PORTA FORNO**

**Rif. 832 Vetro porta compl. Cod. 2450000230 = rif. 602 VPF cod. 1160001241  
qtà 1 + rif. 604 e 605 FASCIA SUP. E INF. Cod. 2300520588 e cod. 2300520587 qtà 1+1**