

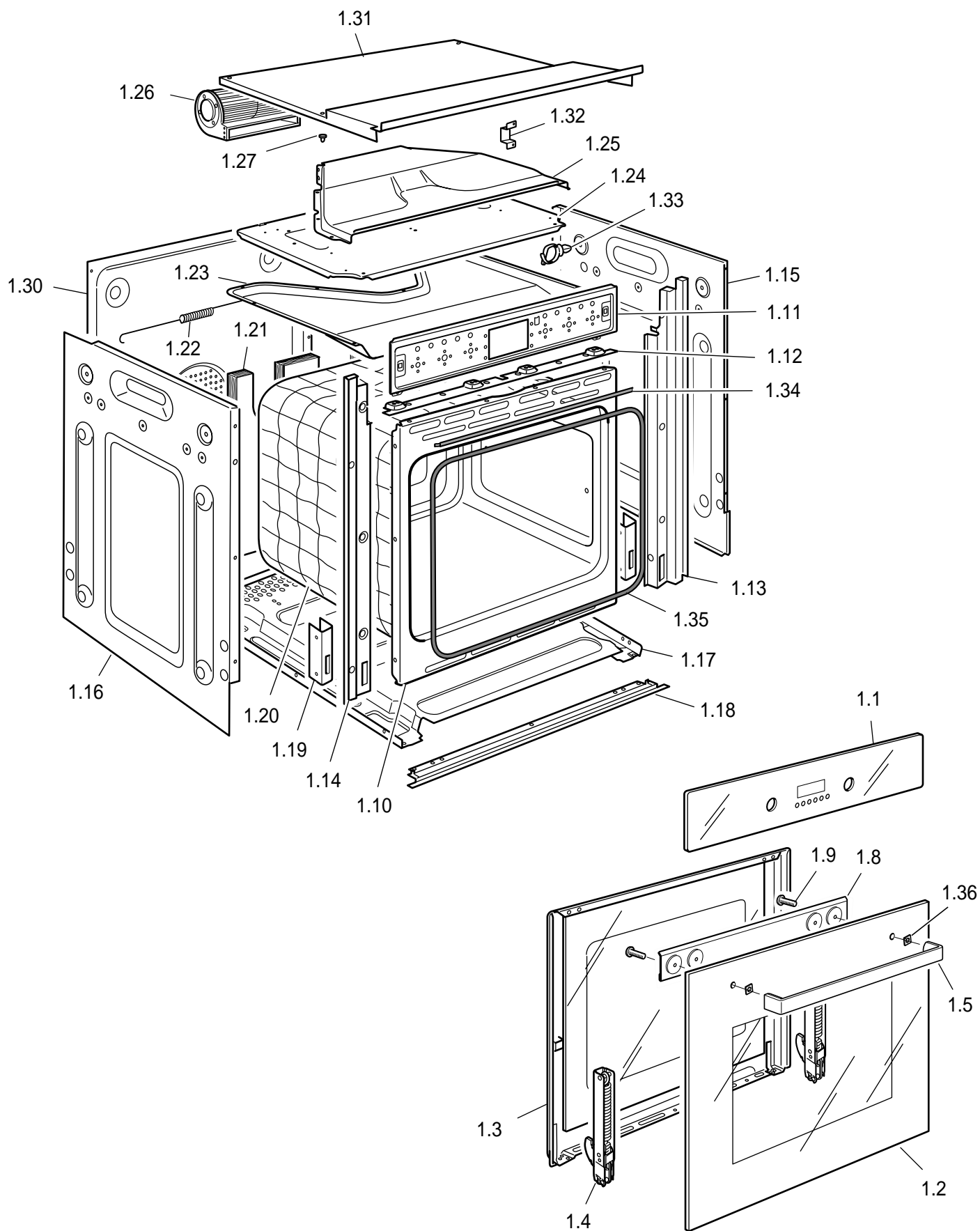


C232SS

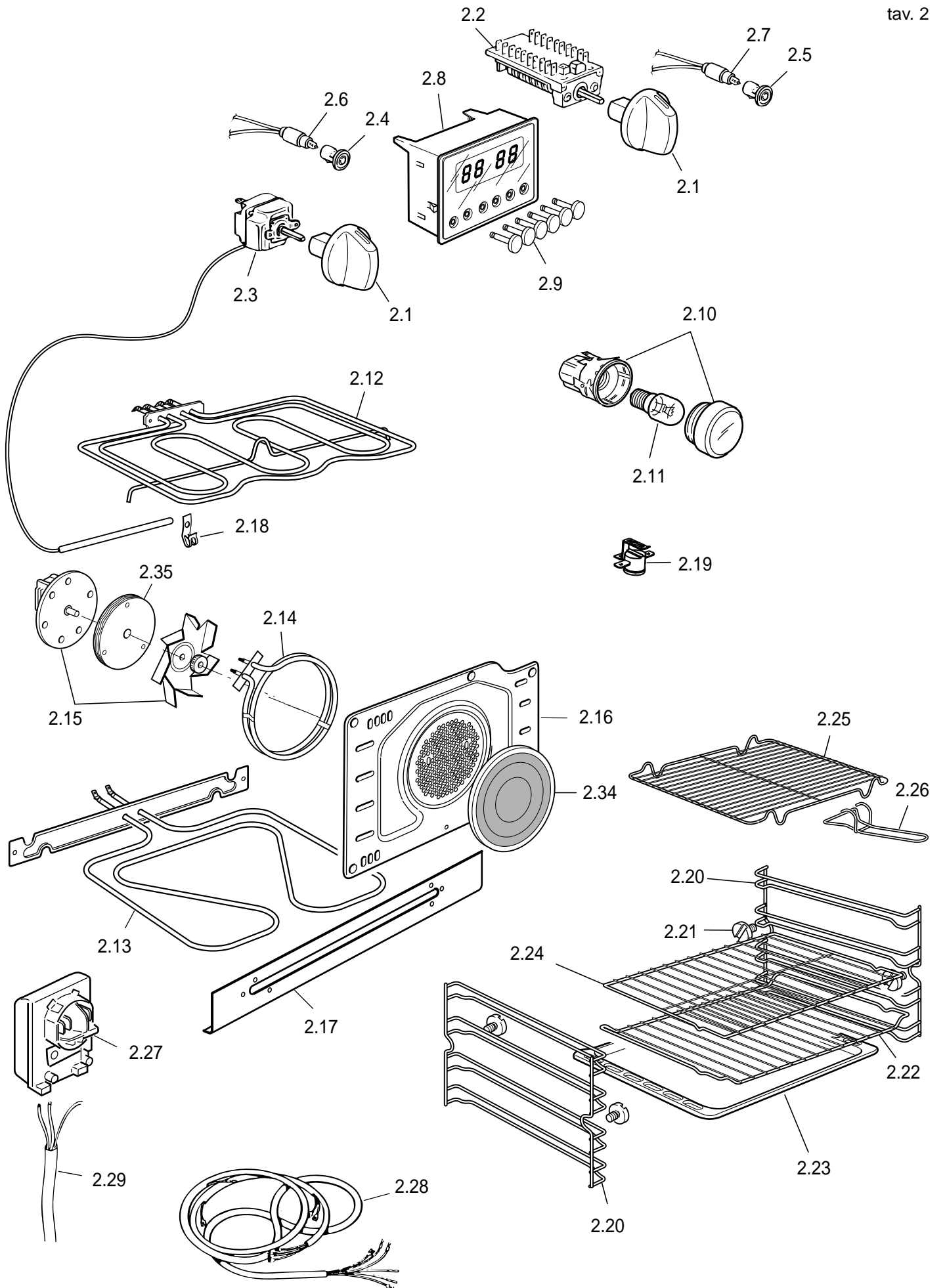
Caple Premium M.Funct Oven



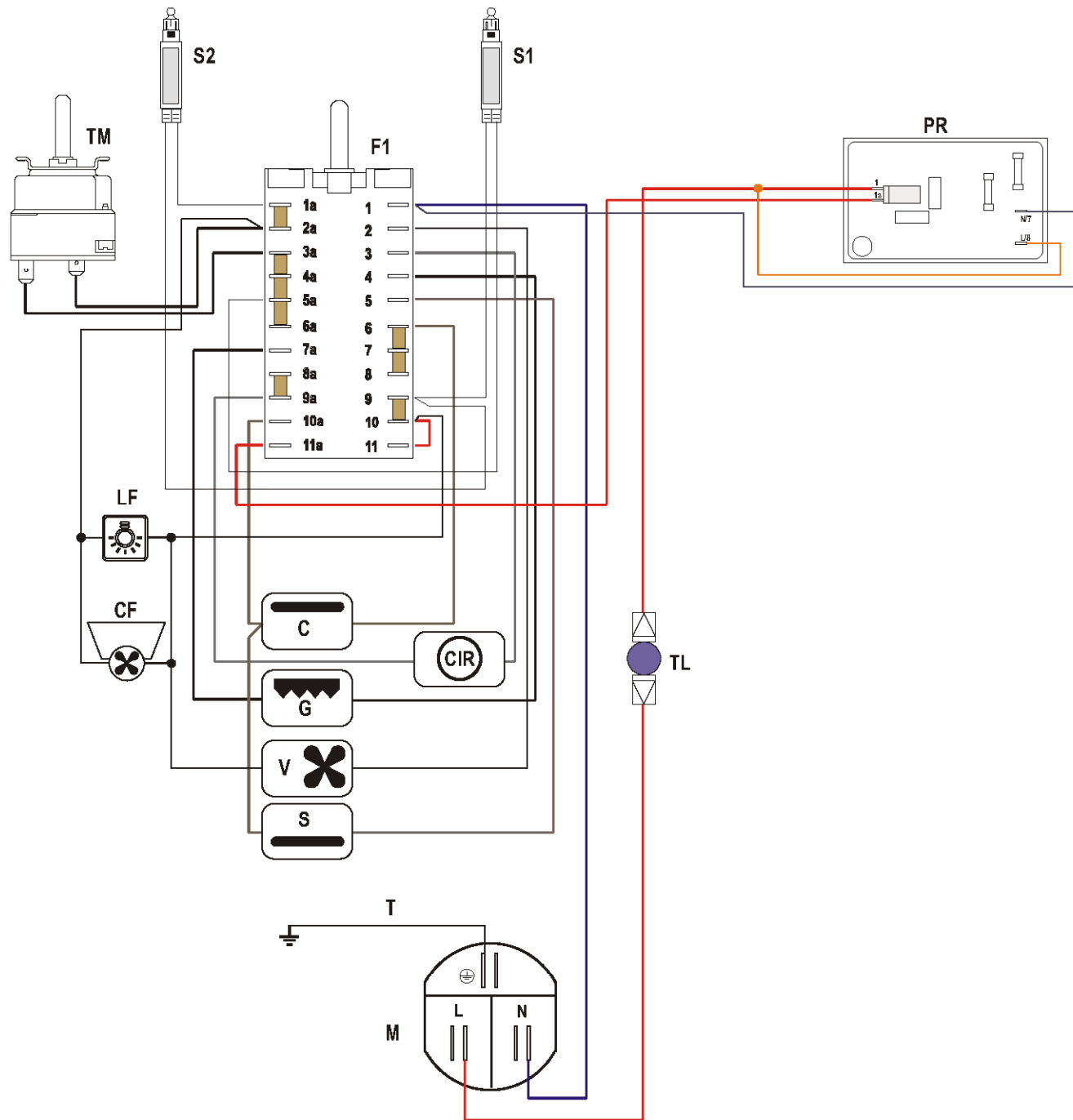
TECHNICAL INFORMATION



REF.	CODE	DESCRIPTION
1.1	032F2358C1	Glass facia panel
1.2	032F2359C2	Door glass
1.3	375FF6004	Door panel with inner glass
1.4	063107	Hinge (male)
1.5	037227061	Door handle
1.8	51BF604	Handle bar
1.9	001071	Door handle screw
1.10	450F61EM33	Oven cube
1.11	35MF60001H	Interior control panel
1.12	51BF605S	Control panel deflector
1.13	51BF601DS	Right front trim
1.14	51BF601SS	Left front trim
1.15	411F6D1Z	Right side panel
1.16	411F6S1Z	Left side panel
1.17	411F602.1	Bottom panel
1.18	08328400H	Lower trim
1.19	094390	Door hinge (female)
1.20	030120.1	Oven insulation
1.21	030122.1	Rear insulation
1.22	035101	Insulation spring
1.23	411F607	Lower air conveyor
1.24	421F602Z	Air conveyor support
1.25	411F605	Upper air conveyor
1.26	079017	Tangential fan
1.27	040056	Rubber
1.30	411F603	Rear panel
1.31	411F604	Upper shelter
1.32	094392	Thermal overload support
1.33	103672	Cable support
1.34	053074	Upper seal
1.35	053087	Seal
1.36	103734080	Plaque



REF.	CODE	DESCRIPTION
2.1	218G00X332	Control knob
2.2	050028.1	Switch
2.3	066141	Thermostat
2.4	07306202.2	Control lamp cover (Red)
2.5	07306201.2	Control lamp cover (Orange)
2.6	073039.2	Control lamp L 230/240
2.7	073044.2	Control lamp L 600/240
2.8	074041	Electronic programmer
2.9	10327100X	Button
2.10	072006	Lamp holder
2.11	073013001	Lamp
2.12	062089004	Top + grill element - 230 V
2.13	062090004	Bottom element - 230 V
2.14	062097004	Fan element - 230 V
2.15	079008001F	Fan motor - 230 V
2.16	47AF601P	Fan diffuser
2.17	51BF603	Bottom element support
2.18	213025	Clip
2.19	066140	Cut-off thermostat 175°
2.20	217646	Shelf support
2.21	001142	Shelf support screw
2.22	217556.1	Wire shelf
2.23	48BF601P	Oven tray
2.24	217527	Wire shelf
2.25	217546	Grill-pan grid
2.26	037144	Grill-pan grid handle
2.27	051046	Terminal block
2.28	1131279	Wiring
2.29	054041	Cord 3x1,5
2.34	103085	Filter
2.35	030136.1	Fan element insulation
-	1101789	Instruction booklet



Oven switch diagram

POSITION 0	1 2 3 4 5 6 7 8 9 10 11
	1a 2a 3a 4a 5a 6a 7a 8a 9a 10a 11a
FUNCTION 1 40° \leftarrow Oven light	[Circuit diagram for Function 1]
FUNCTION 2 80° \leftarrow Traditional convection cooking	[Circuit diagram for Function 2]
FUNCTION 3 120° \leftarrow Grilling	[Circuit diagram for Function 3]
FUNCTION 4 160° \leftarrow Defrosting frozen foods	[Circuit diagram for Function 4]
FUNCTION 5 200° \leftarrow Hot air cooking	[Circuit diagram for Function 5]
FUNCTION 6 240° \leftarrow Ventilated grill cooking	[Circuit diagram for Function 6]
FUNCTION 7 280° \leftarrow Maintaining temperature after cooking or slowly heating foods	[Circuit diagram for Function 7]
FUNCTION 8 320° \leftarrow Convection cooking with ventilation	[Circuit diagram for Function 8]

ELCTRIC DIAGRAM KEY

- F1 Oven switch
- TM Oven thermostat
- TL Thermal overload
- PR Electronic programmer
- LF Oven lamp
- S1 Thermostat pilot lamp
- S2 Line pilot lamp
- C Top element
- G Grill element
- S Bottom element
- V Fan
- CIR Circular element
- CF Cooling fan
- M Terminal block
- T Earth connection



C232SS

Cape Premium M.Funct Oven