



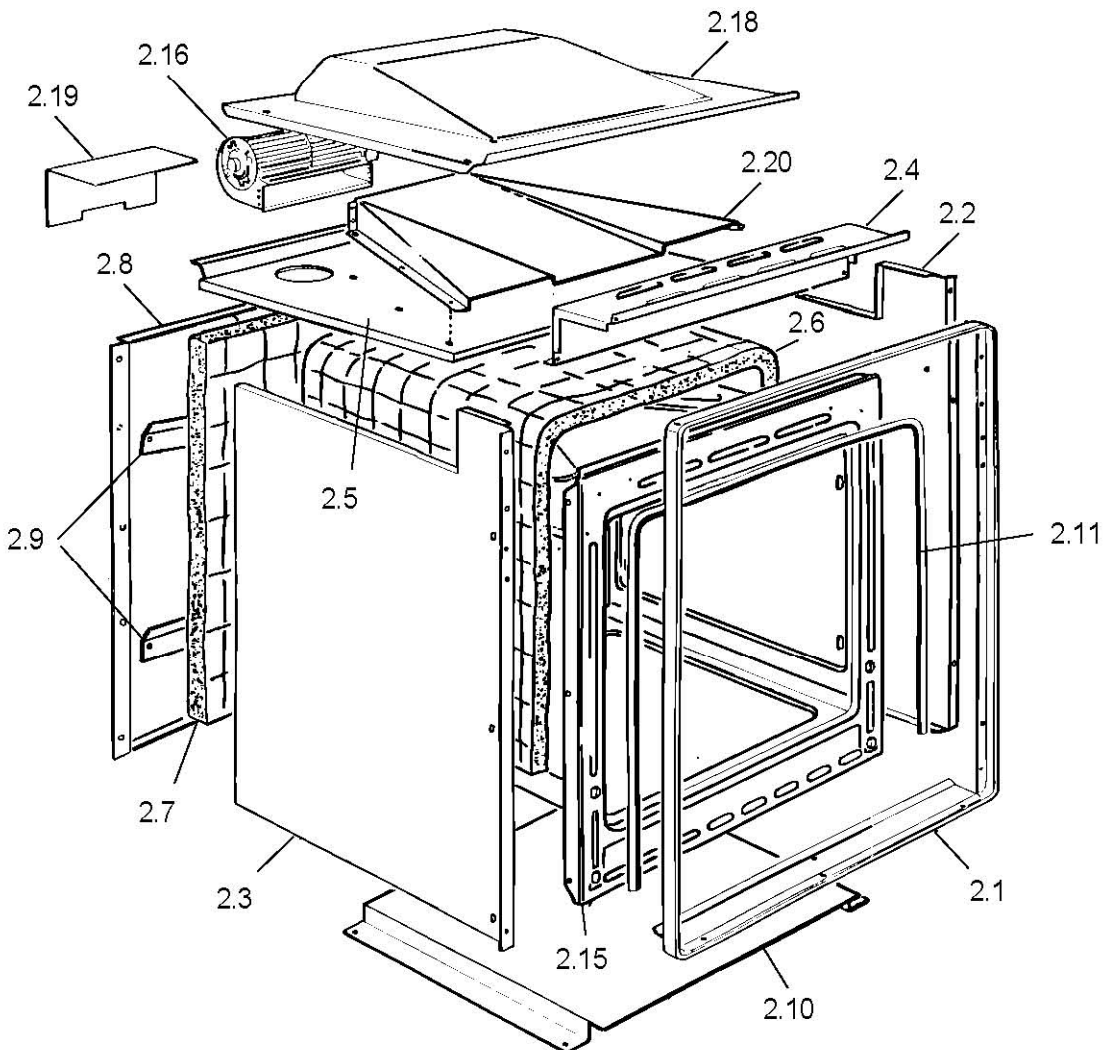
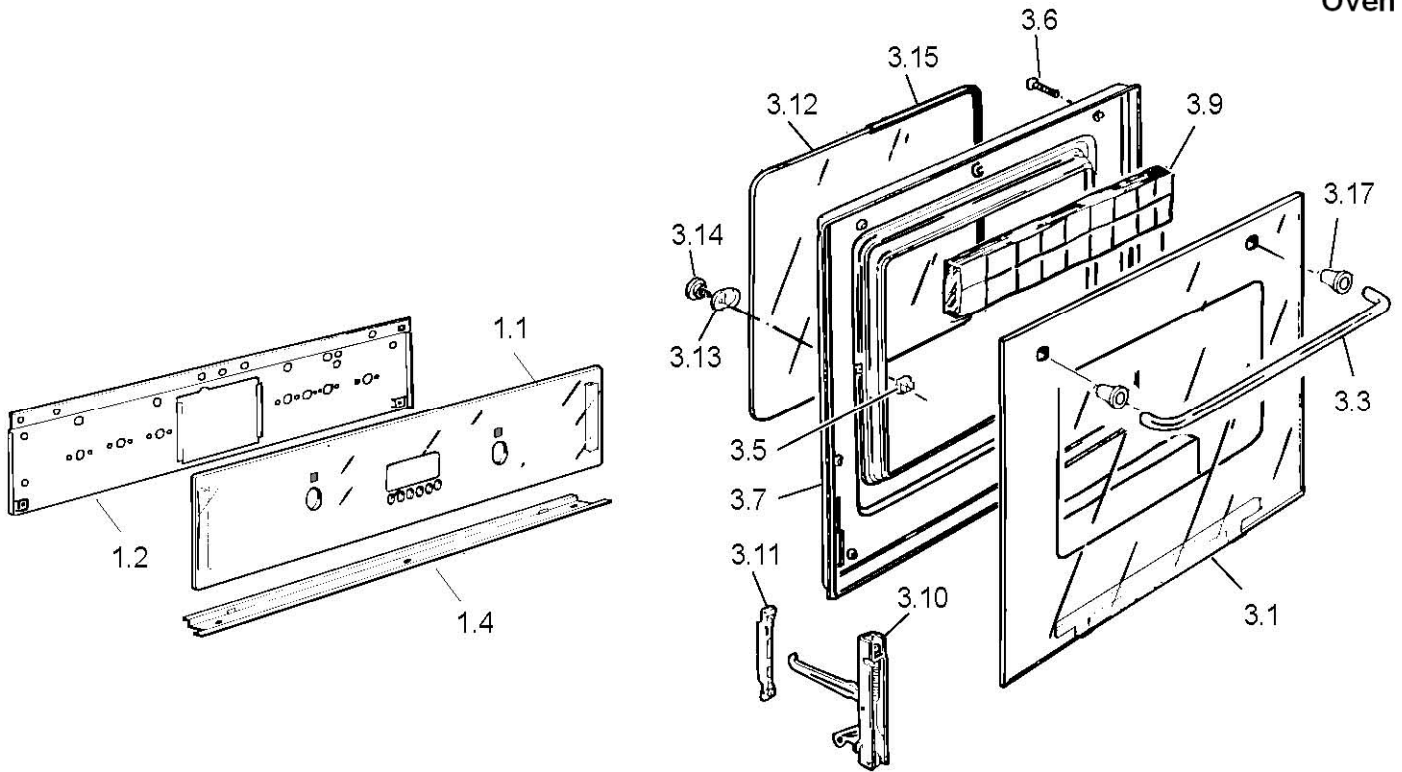
C230M/*

Caple Deluxe Multifunction Oven

TECHNICAL INFORMATION

C230M/W

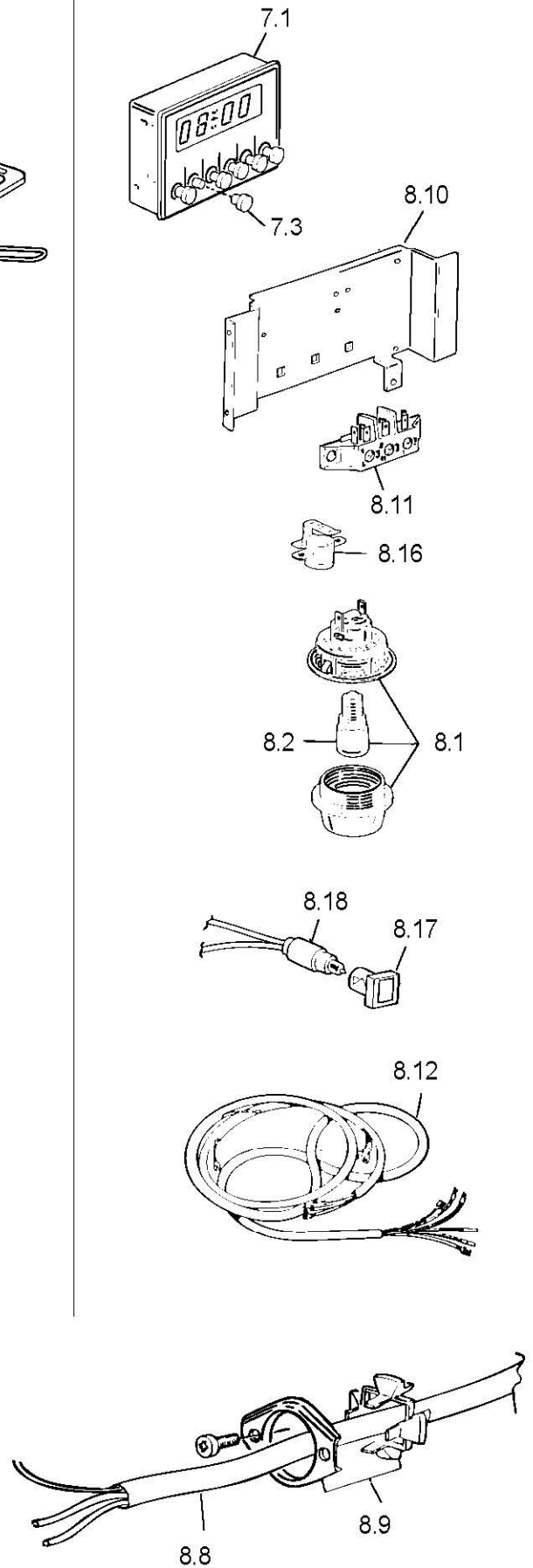
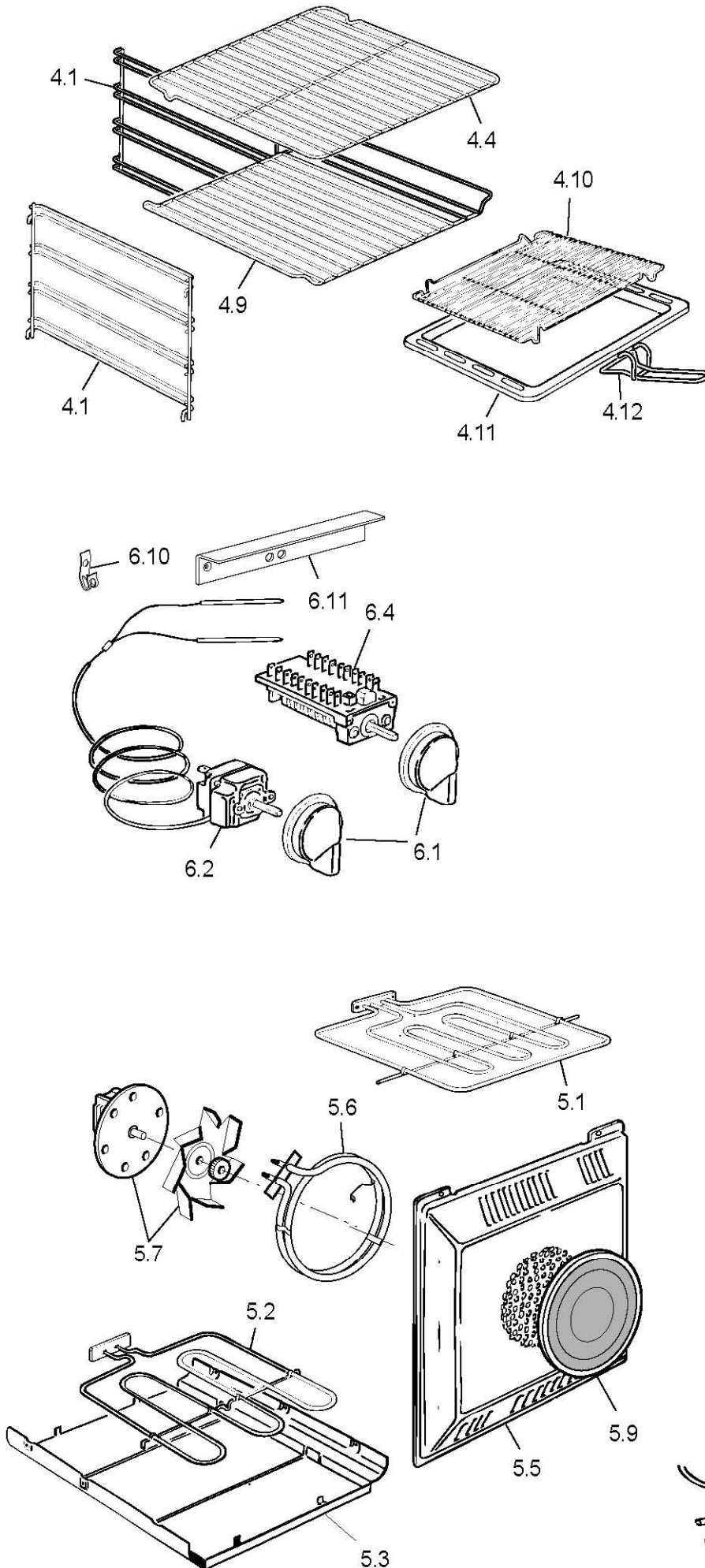
Caple Deluxe Multi Function
Oven White



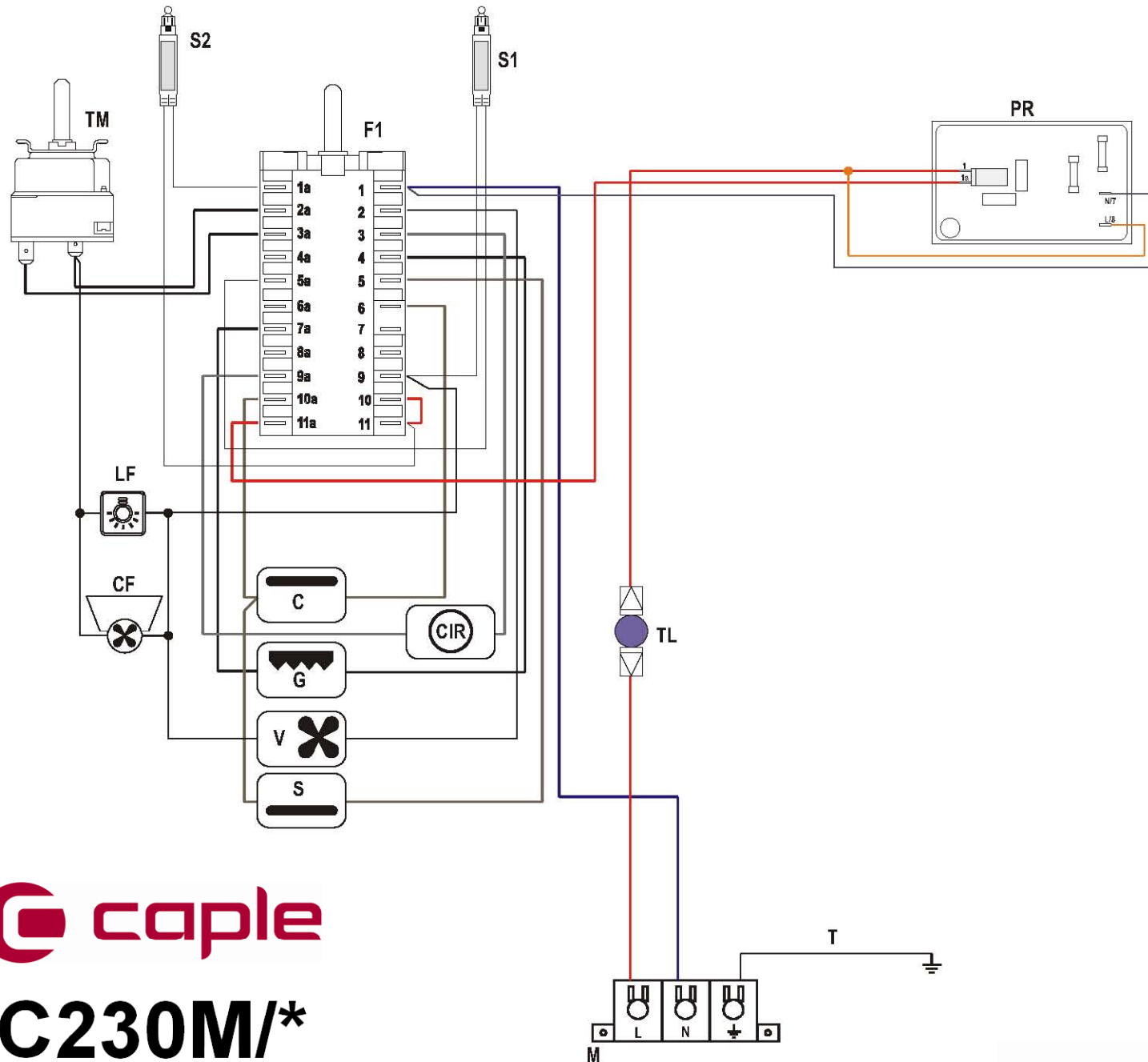
| REF. | CODE | DESCRIPTION |
|------|------------|------------------------|
| 1.1 | 032R72115 | Glass fascia panel |
| 1.2 | 08319100M | Lower retainer trim |
| 1.4 | 35MF70200 | Interior control panel |
| 2.1 | 083190035 | Trim surround |
| 2.2 | 411R706 | Right side panel |
| 2.3 | 411R707 | Left side panel |
| 2.4 | 411F711 | Control panel shelter |
| 2.5 | 421FG01Z | Upper shelter |
| 2.6 | 030092.1 | Oven insulation |
| 2.7 | 030045 | Rear insulation |
| 2.8 | 411F718 | Rear panel |
| 2.9 | 4216003Z | Insulation cross-piece |
| 2.10 | 411F706 | Bottom panel |
| 2.11 | 053039 | Seal |
| 2.15 | 450F71EM13 | Oven cube |
| 2.16 | 079017 | Tangential fan |
| 2.18 | 411F724 | Upper shelter |
| 2.19 | 411F715 | Upper air conveyor |
| 2.20 | 411F716 | Air conveyor |
| 3.1 | 032R71770 | Outer glass |
| 3.3 | 037174100 | Handle |
| 3.5 | 214021 | Nut |
| 3.6 | 001105 | Screw |
| 3.7 | 373FR703K | Door skin |
| 3.9 | 030057.1 | Door insulation |
| 3.10 | 063042 | Hinge (male) |
| 3.11 | 063041 | Right hinge (female) |
| 3.12 | 031643 | Inner glass |
| 3.13 | 035062 | Spring |
| 3.14 | 001184 | Screw |
| 3.15 | 053036 | Glass seal |
| 3.17 | 085042035 | Oven sleeve |

C230M/W

Caple Deluxe Multi Function
Oven White



| REF. | CODE | DESCRIPTION |
|------|------------|-----------------------------|
| 4.1 | 217291 | Shelf support |
| 4.4 | 217271 | Wire shelf |
| 4.9 | 217270.1 | Wire shelf |
| 4.10 | 217385 | Grill-pan grid |
| 4.11 | 48B5102K | Grill-pan |
| 4.12 | 037144 | Grill-pan grid handle |
| 5.1 | 062061004 | Top + grill element - 230 V |
| 5.2 | 062058004 | Bottom element - 230 V |
| 5.3 | 421F701Z | Element shelter |
| 5.5 | 47AN601K | Fan diffuser |
| 5.7 | 079008001F | Fan motor - 230 V |
| 5.8 | 062057004 | Fan element - 230 V |
| 5.9 | 103085 | Filter |
| 6.1 | 218AC03200 | Control knob (White) |
| 6.4 | 050028.1 | Switch |
| 6.2 | 066053 | Thermostat |
| 6.10 | 213023 | Clip |
| 6.11 | 51BF702 | Bulb thermostat protection |
| 7.1 | 074041 | Electronic programmer |
| 7.3 | 103271035 | Button set (White) |
| 8.1 | 072003 | Lamp holder |
| 8.2 | 073013001 | Lamp |
| 8.8 | 054041 | Cord 3x1,5 |
| 8.9 | 052001 | Wire fastener |
| 8.10 | 094162 | Terminal bracket |
| 8.11 | 051038 | Terminal block |
| 8.12 | 1131281 | Wiring |
| 8.16 | 066073 | Cut-off thermostat |
| 8.17 | 073029 | Control lamp cover (Orange) |
| = | 073030 | Control lamp cover (Red) |
| 8.18 | 073031 | Control lamp L=200 |
| = | 073044.1 | Control lamp L=600 |
| - | 1101785 | Instruction booklet |



ELECTRIC DIAGRAM KEY

- F1 Oven commutator
- TM Oven thermostat
- TL Thermolimitator
- PR Electronic programmer
- LF Oven lamp
- S1 Thermostat pilot lamp
- S2 Line pilot lamp
- C Top element
- G Grill element
- S Bottom element
- V Fan
- CIR Circular element
- CF Cooling fan
- M Terminal block
- T Earth plant

caple

C230M/*

Caple Deluxe Multi Function Oven