



C224SS

Caple Fan Oven Stainless Steel

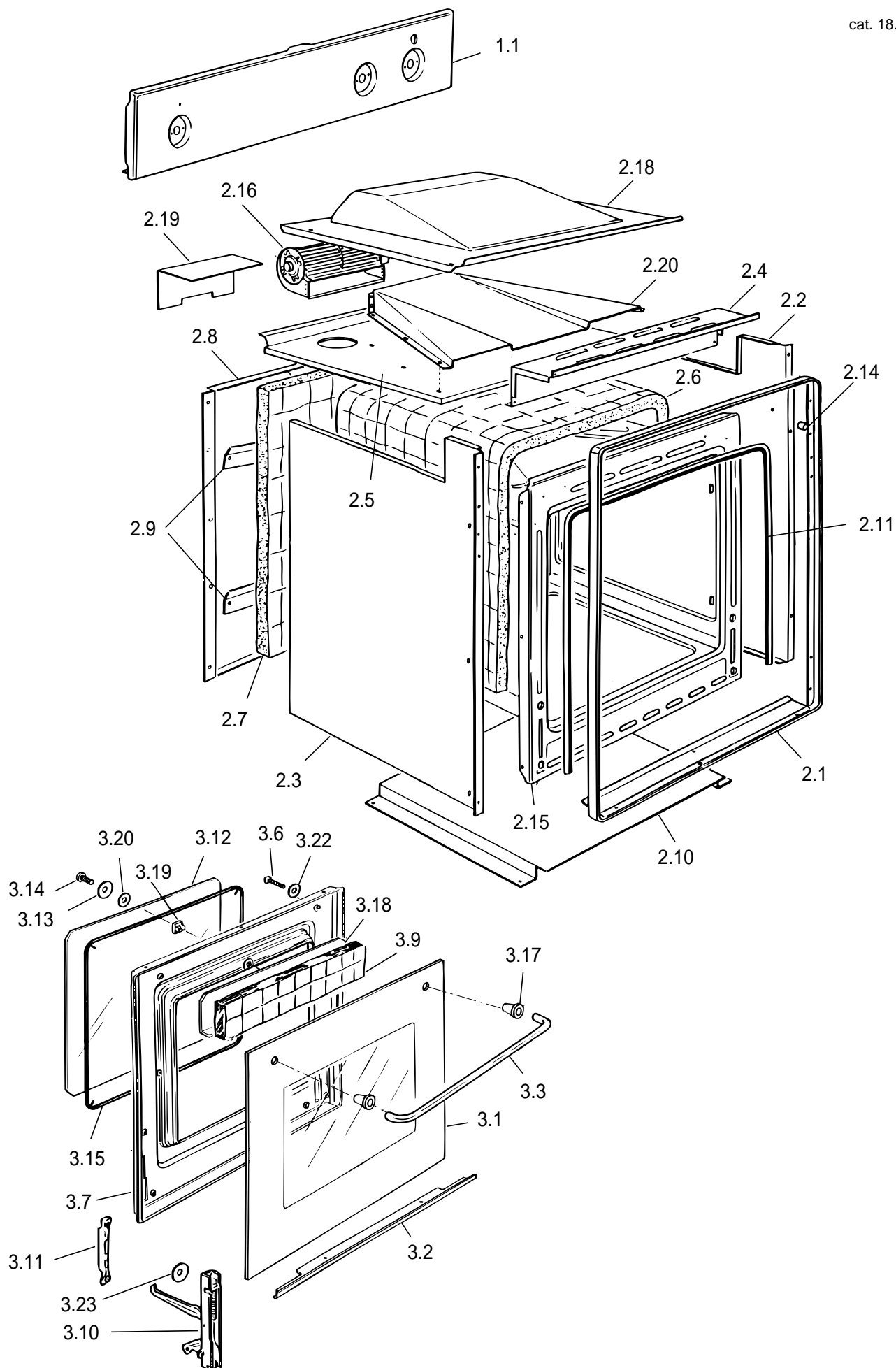


TECHNICAL INFORMATION

C 224 SS

FF70CP059X

tav. 1
cat. 18.P2916

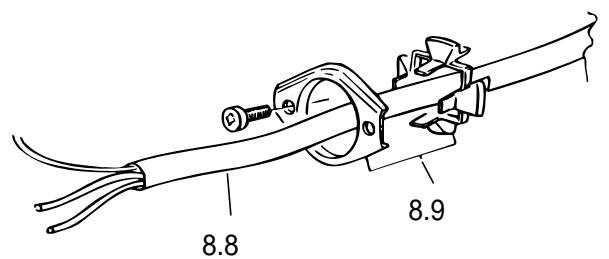
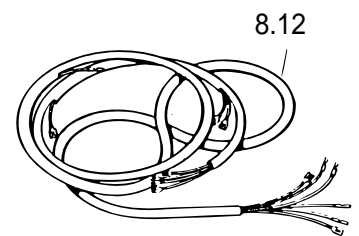
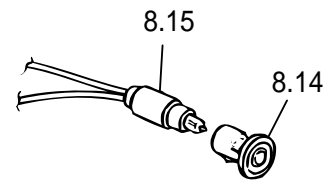
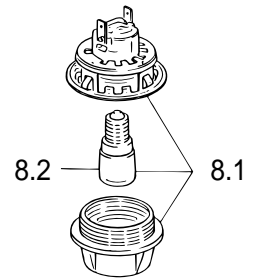
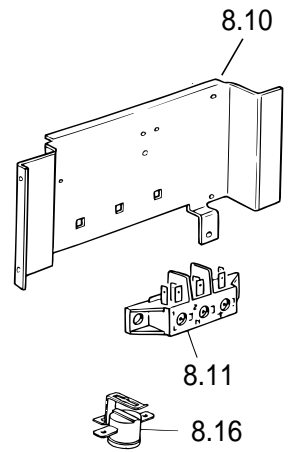
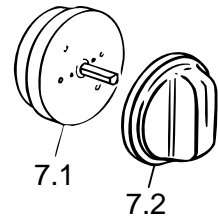
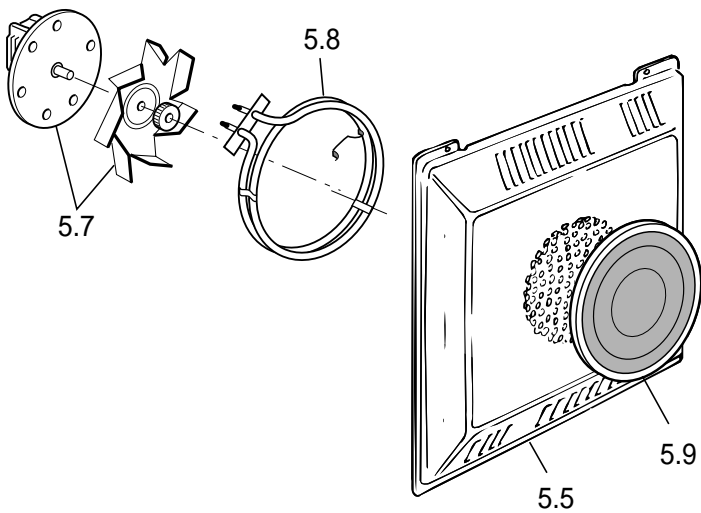
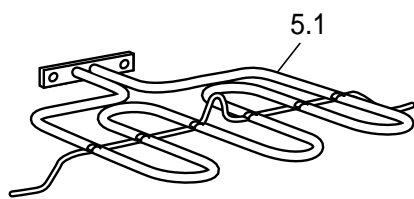
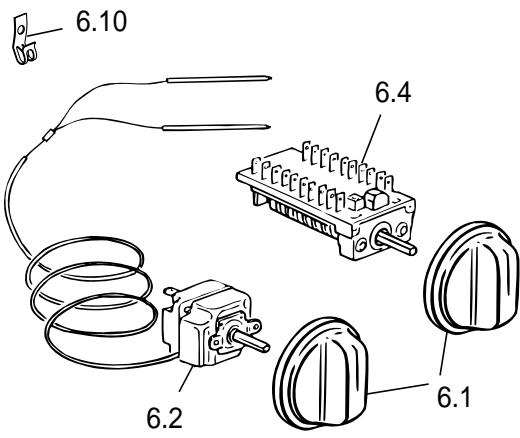
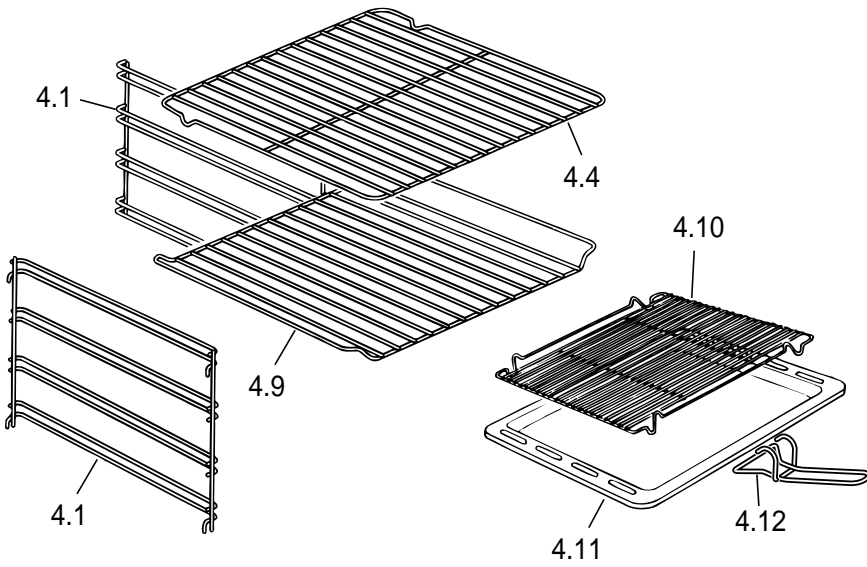


REF.	CODE	DESCRIPTION
1.1	35F740SYCP	Control panel
2.1	083184067	Trim surround
2.2	411F719	Right side panel
2.3	411F721	Left side panel
2.4	411F711	Control panel shelter
2.5	421FG01Z	Upper shelter
2.6	030092.1	Oven insulation
2.7	030028	Rear insulation
2.8	411F718	Rear panel
2.9	4216003Z	Insulation cross-piece
2.10	411F706	Bottom panel
2.11	053039	Seal
2.14	085019	Spacer
2.15	450F71EM13	Oven cube
2.16	079017	Tangential fan
2.18	411F724	Upper shelter
2.19	411F715	Upper air conveyor
2.20	411F716	Air conveyor
3.1	0321742A	Outer glass
3.2	083186061	Lower retainer
3.3	037194060	Handle
3.6	001184	Screw
3.7	373FF704K	Door skin
3.9	030057	Door insulation
3.10	063103	Hinge (male)
3.11	063025	Right hinge (female)
3.12	0311000.1	Inner glass
3.13	103205	Inner glass washer
3.14	001214	Screw
3.15	053084	Glass seal
3.17	085064061	Oven sleeve
3.18	411F729	Insulation support
3.19	214021	Nut
3.20	003035	Washer
3.22	003030	Washer
3.23	003041	Washer

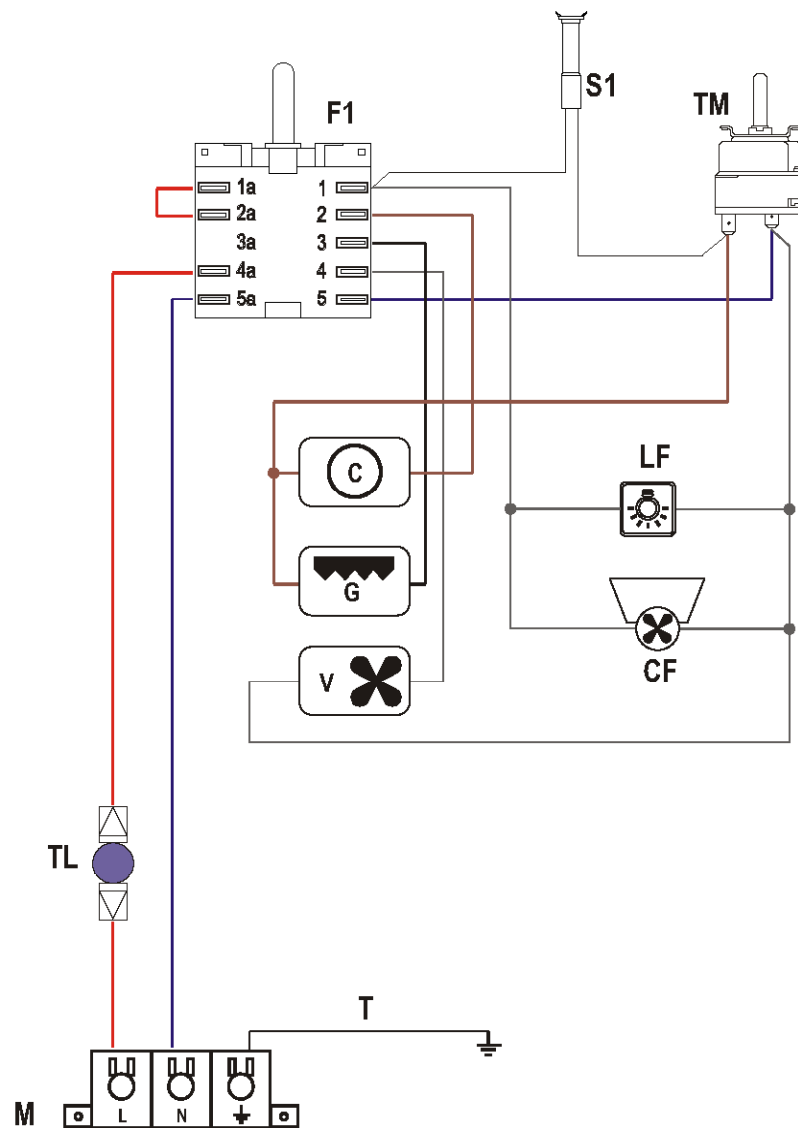
C 224 SS

FF70CP059X

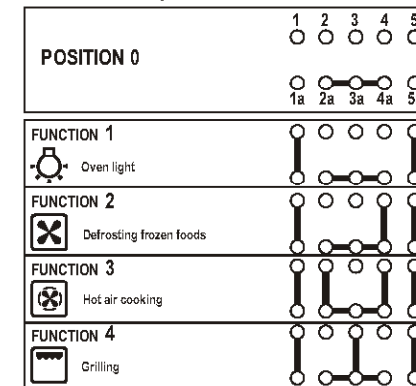
tav. 2
cat. 18.P2916



REF.	CODE	DESCRIPTION
4.1	217291	Shelf support
4.4	217270.1	Wire shelf
4.9	217271	Wire shelf
4.10	217397	Grill-pan grid
4.11	48B6101K	Grill-pan
4.12	037144	Grill-pan grid handle
5.1	062053004	Grill element - 230 V
5.5	47AN601K	Fan diffuser
5.7	079008001F	Fan motor - 230 V
5.8	062057004	Fan element - 230 V
5.9	103085	Filter
6.1	218P002087	Control knob (Black)
6.2	066072	Thermostat
6.4	050032	Switch
6.10	213025	Clip
7.1	074009	Alarm 60'
7.2	218P002087	Alarm 60' knob
8.1	072003	Lamp holder
8.2	073013001	Lamp
8.8	054041	Cord 3x1,5
8.9	052001	Wire fastener
8.10	094162	Terminal bracket
8.11	051038	Terminal block
8.12	1131375	Wiring
8.14	073035	Control lamp cover (Red)
8.15	073038.2	Control lamp L=200
8.16	066073	Cut-off thermostat 130°
-	1101785.2	Instruction booklet



Oven switch diagram



ELECTRIC DIAGRAM KEY

- F1 Oven switch
- TM Oven thermostat
- TL Thermal overload
- LF Oven lamp
- CF Cooling fan
- G Grill element
- C Circular element
- V Fan
- S1 Thermostat pilot lamp
- M Terminal block
- T Earth connection



C224SS

Capele Fan Oven Stainless Steel