



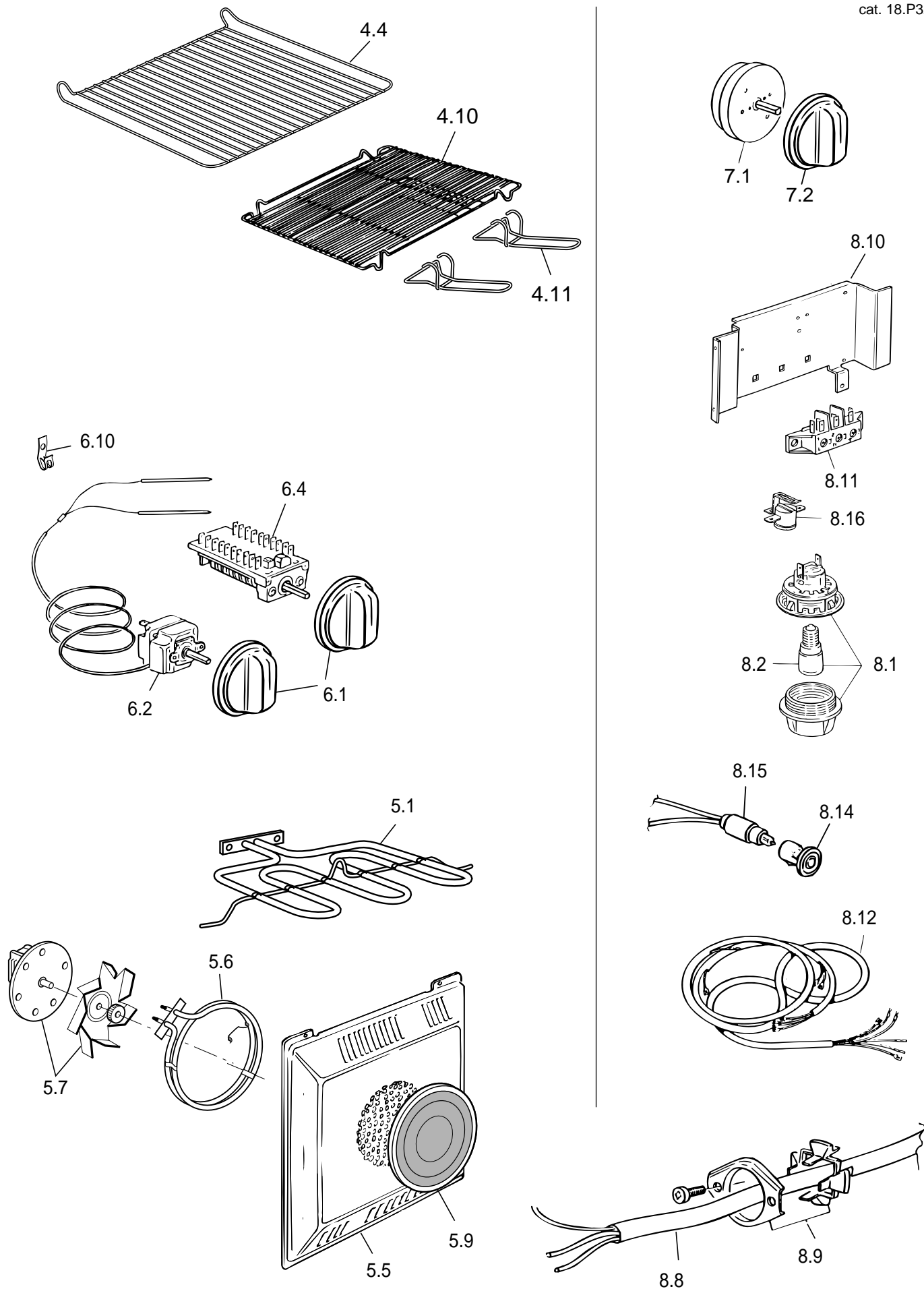
C222BK

Caple Fan Oven BLACK

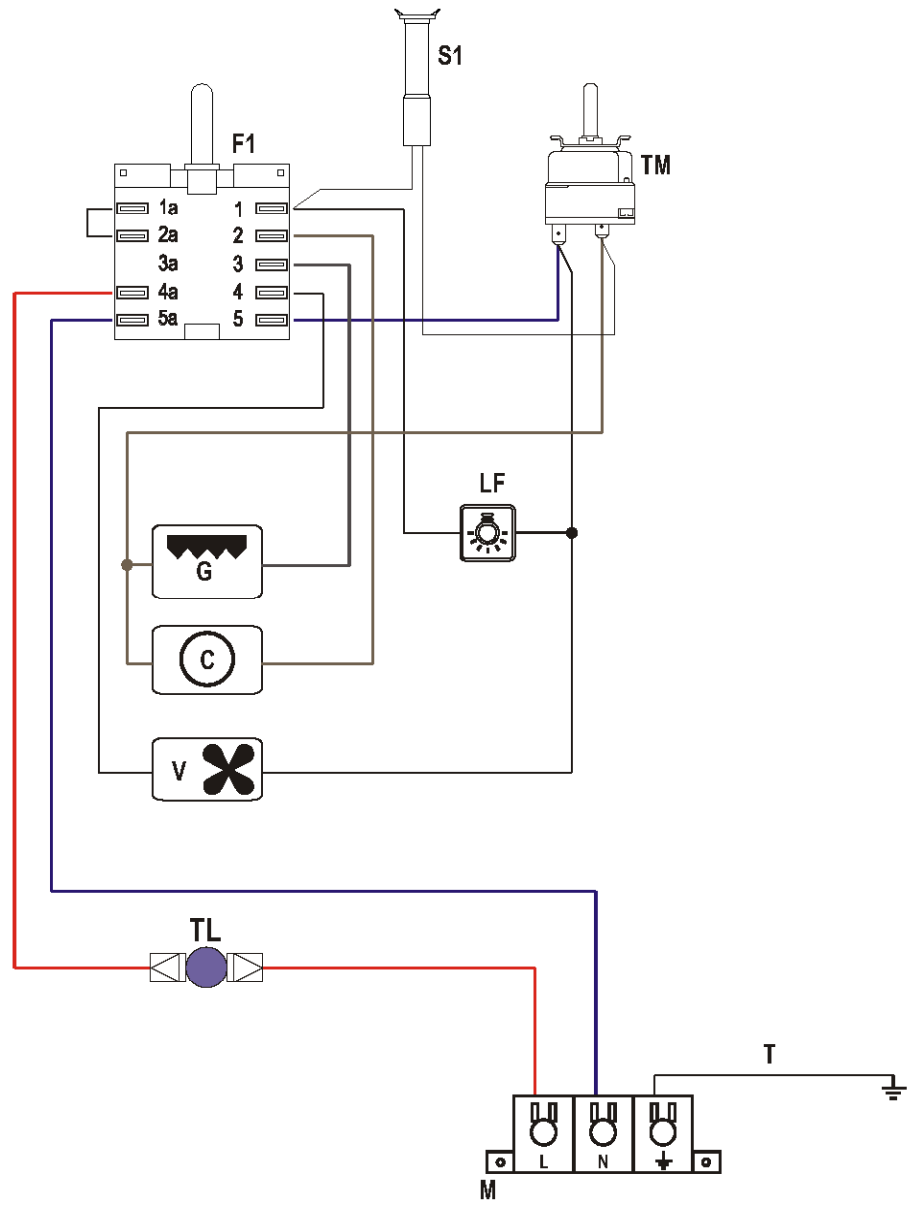


TECHNICAL INFORMATION

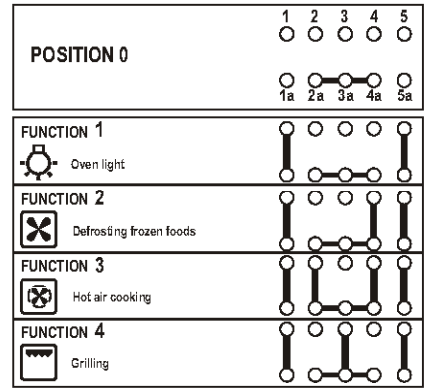
REF.	CODE	DESCRIPTION
1.1	35F7A40HCP	Control panel
2.1	083184080	Trim surround
2.2	411F719	Right side panel
2.3	411F721	Left side panel
2.4	411F711	Control panel shelter
2.5	411F723	Upper shelter
2.6	030092.1	Oven insulation
2.7	030028	Rear insulation
2.8	411F718	Rear panel
2.9	4216003Z	Insulation cross-piece
2.10	411F706	Bottom panel
2.11	053039	Seal
2.13	4216002Z	Lower switch shelter
2.14	085019	Spacer
2.15	450F71EM14	Oven cube
3.1	0311460	Outer glass
3.2	083186080	Lower retainer
3.3	037194080	Handle
3.6	001184	Screw
3.7	373FF704K	Door skin
3.9	030057	Door insulation
3.10	063103	Hinge (male)
3.11	063025	Right hinge (female)
3.12	0311000.1	Inner glass
3.13	103205	Inner glass washer
3.14	001214	Screw
3.15	053084	Glass seal
3.17	085064080	Oven sleeve
3.18	411F729	Insulation support
3.19	214021	Nut
3.20	003035	Washer
3.22	003030	Washer
3.23	003041	Washer



REF.	CODE	DESCRIPTION
4.4	217429	Wire shelf
4.10	217397	Grill-pan grid
4.11	037144	Grill-pan grid handle
5.1	062053004	Grill element - 230 V
5.5	47AN601K	Fan diffuser
5.7	079008001F	Fan motor - 230 V
5.8	062057004	Fan element - 230 V
5.9	103085	Filter
6.1	218P002087	Control knob
6.2	066072	Thermostat
6.4	050032	Switch
6.10	213025	Clip
7.1	074009	Alarm 60'
7.2	218P002087	Alarm 60' knob
8.1	072003	Lamp holder
8.2	073013001	Lamp
8.8	054041	Cord 3x1,5
8.9	052001	Wire fastener
8.10	094162	Terminal bracket
8.11	051038	Terminal block
8.12	1131278	Wiring
8.14	073035	Control lamp cover (Red)
8.15	073036	Control lamp L=150
8.16	066073	Cut-off thermostat 130°
-	1101785.2	Instruction booklet



Oven switch diagram



- ELECTRIC DIAGRAM KEY**
- F1 Oven switch
 - TM Oven thermostat
 - LF Oven lamp
 - TL Thermal overload
 - S1 Thermostat pilot lamp
 - V Fan
 - G Grill element
 - C Circular element
 - M Terminal block
 - T Earth connection

caple
C222BK
 Caple Fan Oven BLACK