



# **C221F/W**

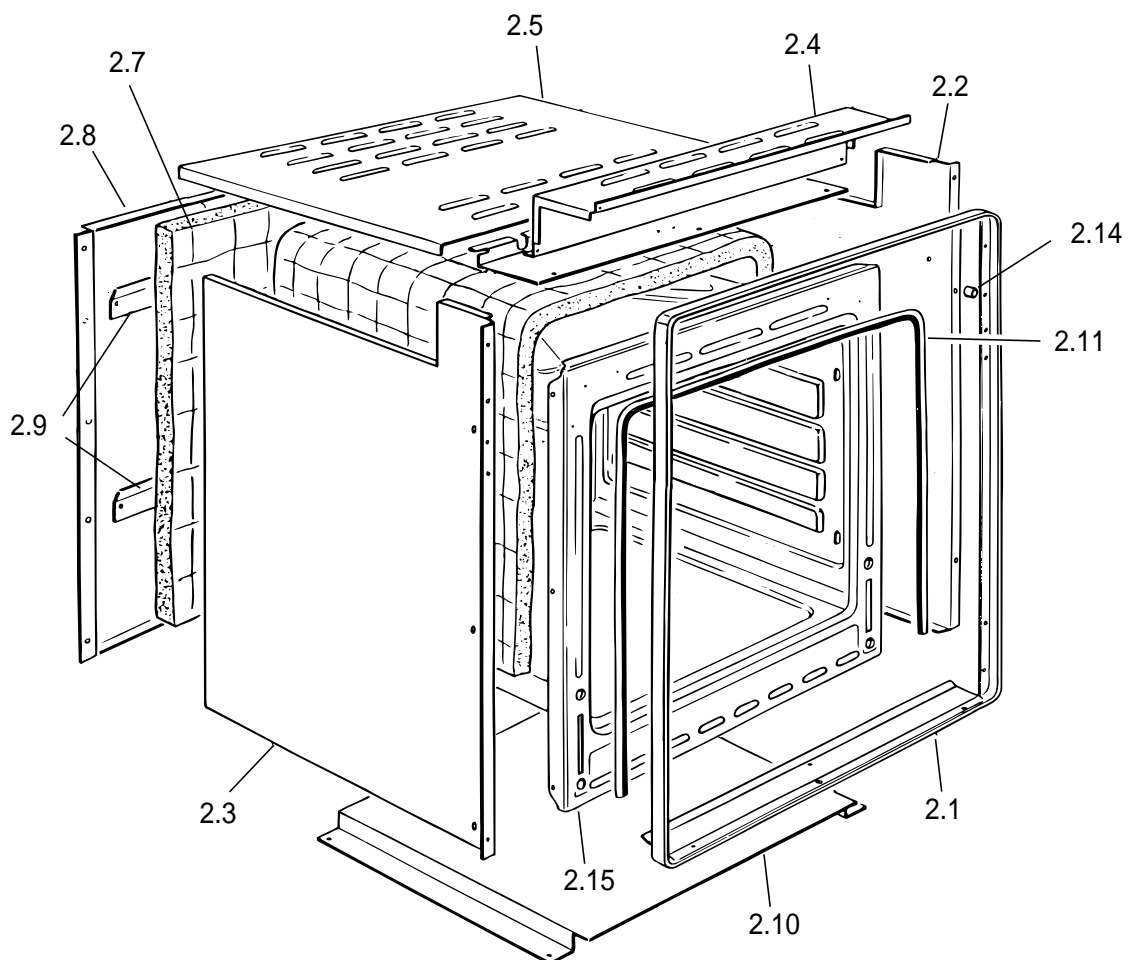
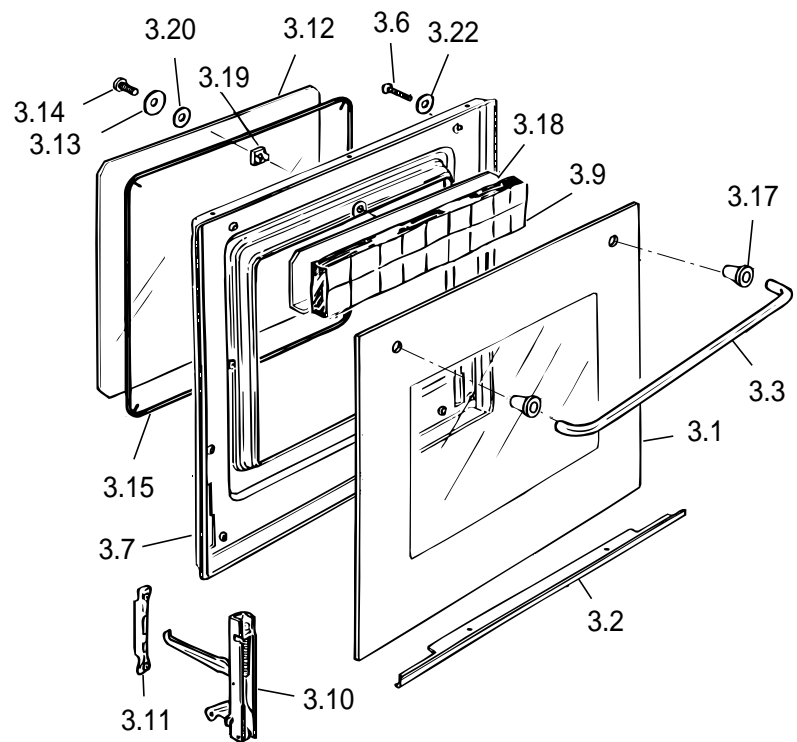
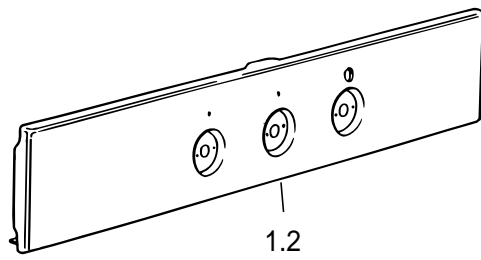
**Caple Single Fan Oven White**

**TECHNICAL INFORMATION**

# C 221F/W

FF70CP052W

tav. 1  
cat. 18.P1965



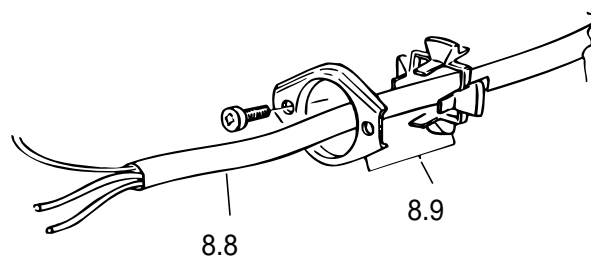
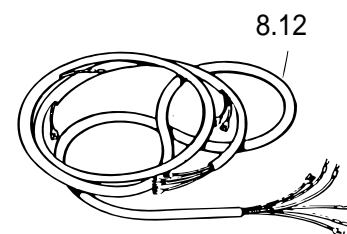
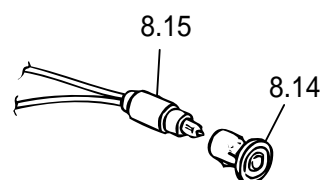
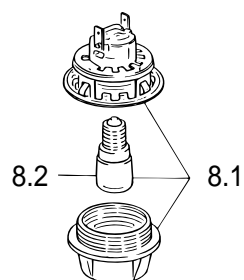
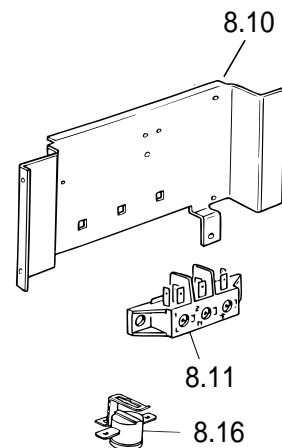
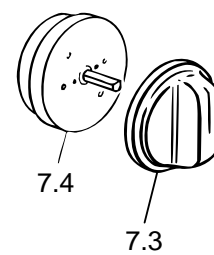
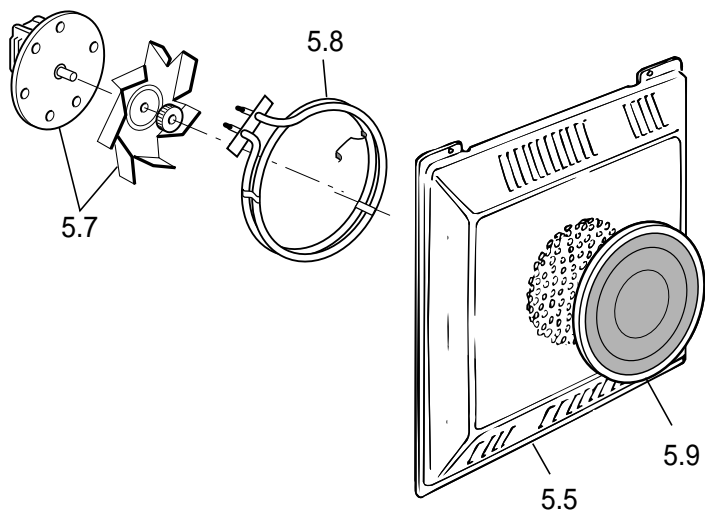
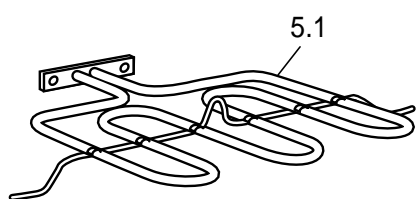
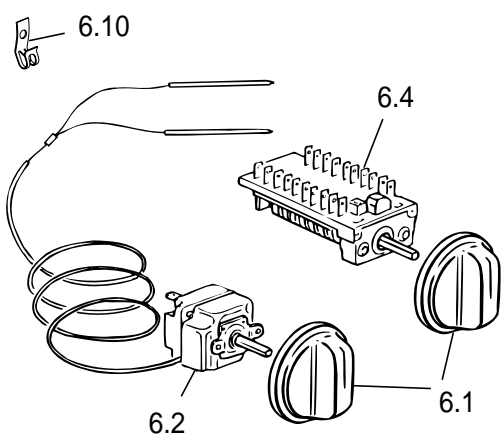
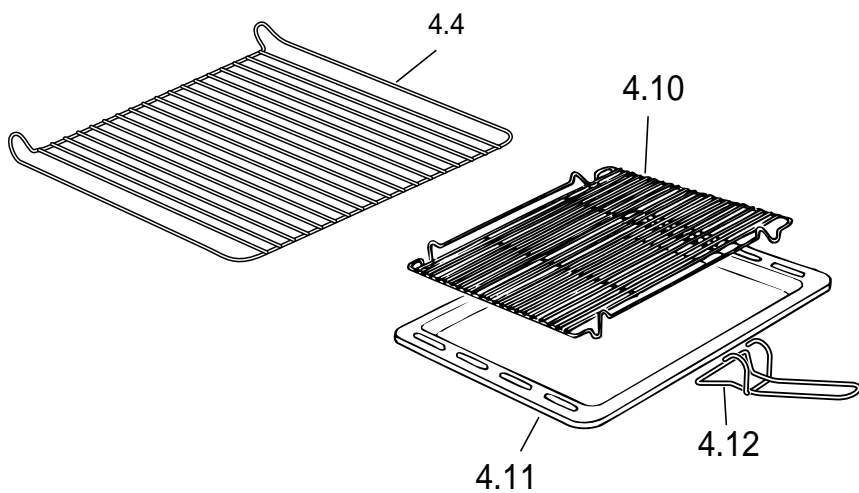
---

| REF. | CODE       | DESCRIPTION            |
|------|------------|------------------------|
| 1.2  | 35F7A401CP | Control panel          |
| 2.1  | 083184035  | Trim surround          |
| 2.2  | 411F719    | Right side panel       |
| 2.3  | 411F721    | Left side panel        |
| 2.4  | 411F711    | Control panel shelter  |
| 2.5  | 411F723    | Upper shelter          |
| 2.6  | 030092.1   | Oven insulation        |
| 2.7  | 030028     | Rear insulation        |
| 2.8  | 411F718    | Rear panel             |
| 2.9  | 4216003Z   | Insulation cross-piece |
| 2.10 | 411F706    | Bottom panel           |
| 2.11 | 053039     | Seal                   |
| 2.13 | 4216002Z   | Lower switch shelter   |
| 2.14 | 085019     | Spacer                 |
| 2.15 | 450F71EM14 | Oven cube              |
| 3.1  | 0311452    | Outer glass            |
| 3.2  | 083186035  | Lower retainer         |
| 3.3  | 037194035  | Handle                 |
| 3.4  | 085064035  | Oven sleeve            |
| 3.6  | 001184     | Screw                  |
| 3.7  | 373FF704K  | Door skin              |
| 3.9  | 030057     | Door insulation        |
| 3.10 | 063103     | Hinge (male)           |
| 3.12 | 0311000.1  | Inner glass            |
| 3.13 | 103205     | Inner glass washer     |
| 3.14 | 001214     | Screw                  |
| 3.15 | 053084     | Glass seal             |
| 3.16 | 063025     | Right hinge (female)   |
| 3.18 | 411F729    | Insulation support     |
| 3.19 | 214021     | Nut                    |
| 3.20 | 003035     | Washer                 |
| 3.22 | 003041     | Washer                 |

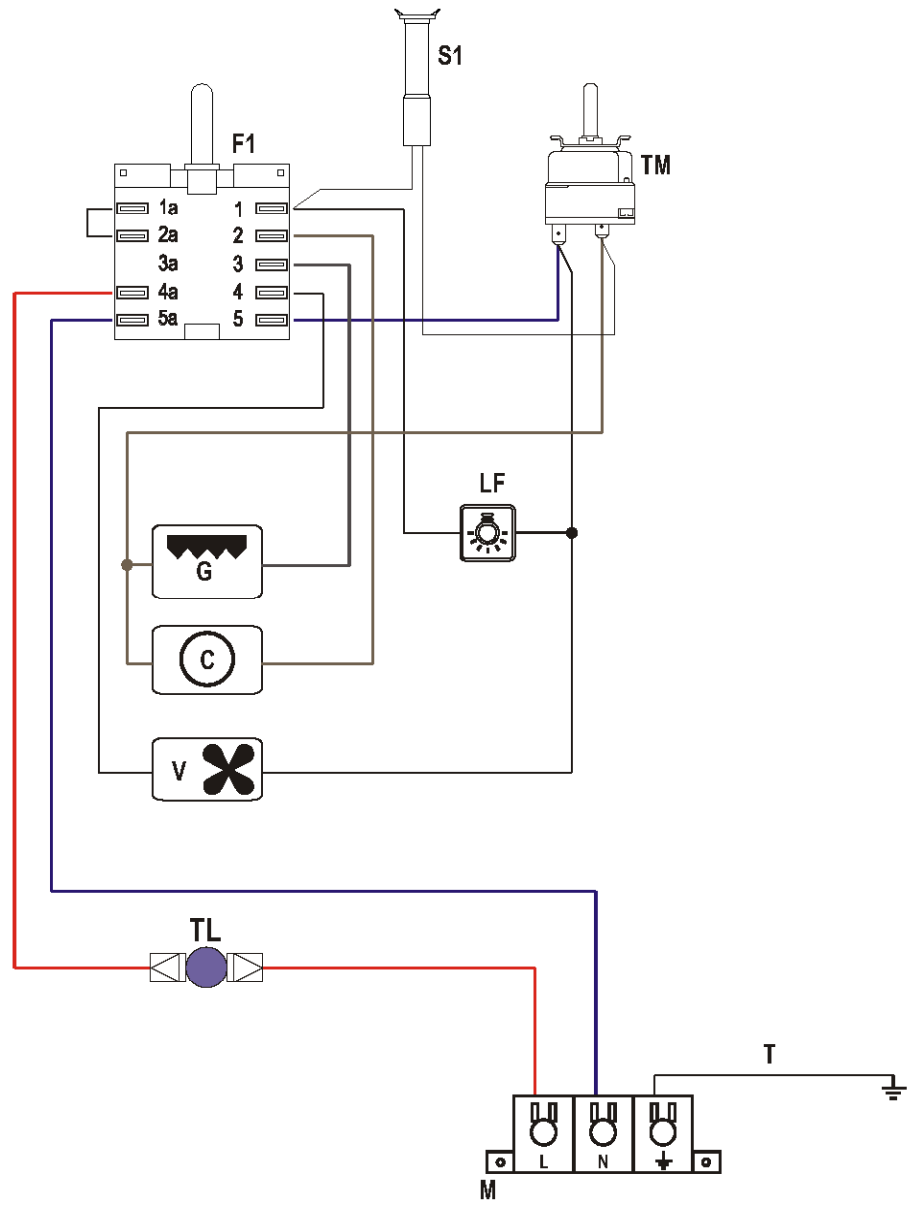
# C 221F/W

FF70CP052W

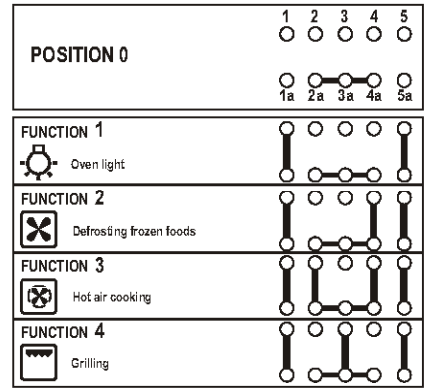
tav. 2  
cat. 18.P1965



| REF. | CODE       | DESCRIPTION              |
|------|------------|--------------------------|
| 4.4  | 217429     | Wire shelf               |
| 4.10 | 217385     | Grill-pan grid           |
| 4.11 | 48B5102K   | Grill-pan                |
| 4.12 | 037144     | Grill-pan grid handle    |
| 5.1  | 062053004  | Grill element - 230 V    |
| 5.5  | 47AN601K   | Fan diffuser             |
| 5.7  | 079008001F | Fan motor - 230 V        |
| 5.8  | 062057004  | Fan element - 230 V      |
| 5.9  | 103085     | Filter                   |
| 6.1  | 218A003087 | Control knob (White)     |
| 6.4  | 050032     | Switch                   |
| 6.2  | 066072     | Thermostat               |
| 6.10 | 213025     | Clip                     |
| 7.3  | 218A003087 | Alarm 60' knob           |
| 7.4  | 074009     | Alarm 60'                |
| 8.1  | 072003     | Lamp holder              |
| 8.2  | 073013001  | Lamp                     |
| 8.8  | 054041     | Cord 3x1,5               |
| 8.9  | 052001     | Wire fastener            |
| 8.10 | 094162     | Terminal bracket         |
| 8.11 | 051038     | Terminal block           |
| 8.12 | 1131278    | Wiring                   |
| 8.14 | 073035     | Control lamp cover (Red) |
| 8.15 | 073038.2   | Control lamp L=200       |
| 8.16 | 066073     | Cut-off thermostat 130°  |
| -    | 1101785    | Instruction booklet      |



Oven switch diagram



- ELECTRIC DIAGRAM KEY**
- F1 Oven switch
  - TM Oven thermostat
  - LF Oven lamp
  - TL Thermal overload
  - S1 Thermostat pilot lamp
  - V Fan
  - G Grill element
  - C Circular element
  - M Terminal block
  - T Earth connection



**C221F/W**

Caple Single Fan Oven White