



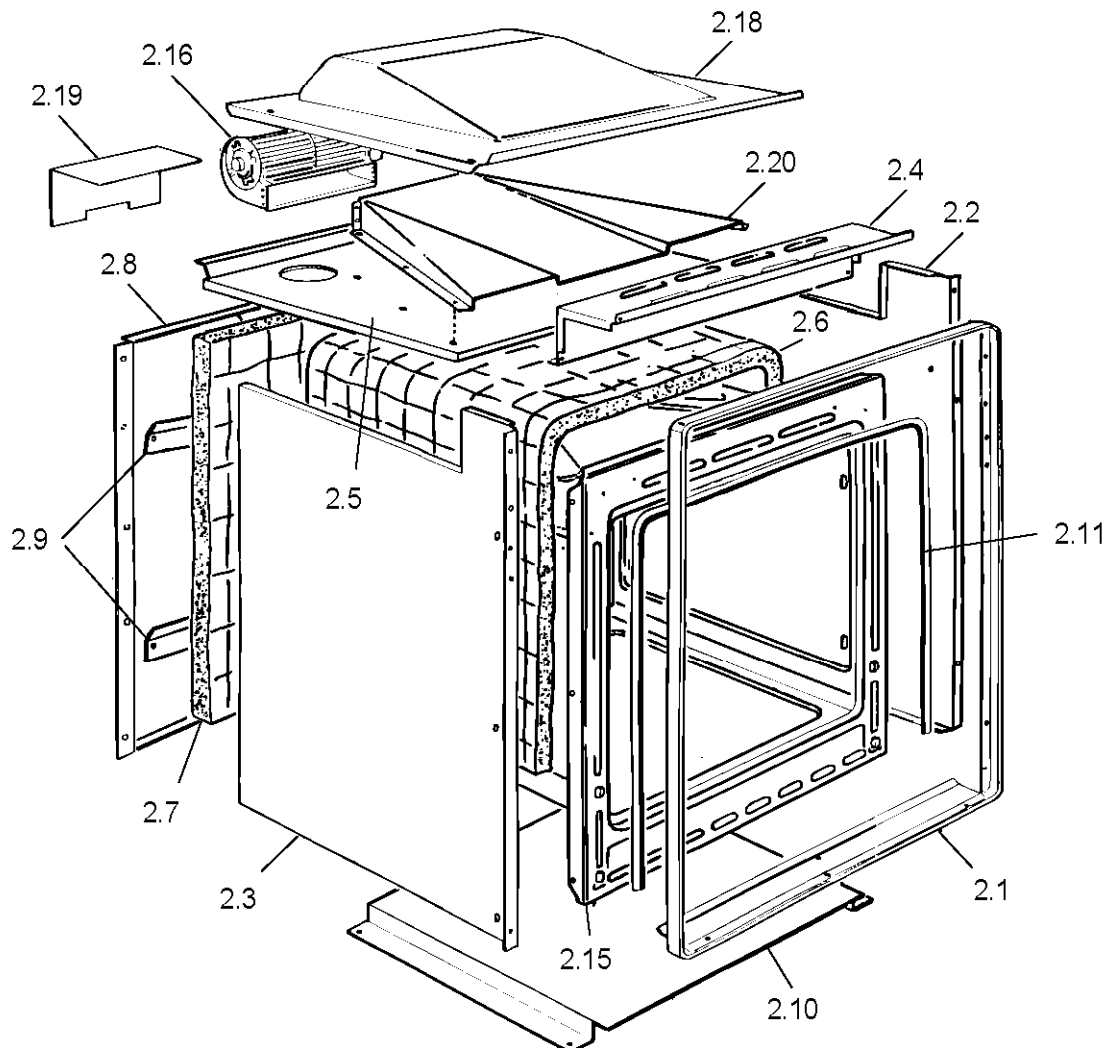
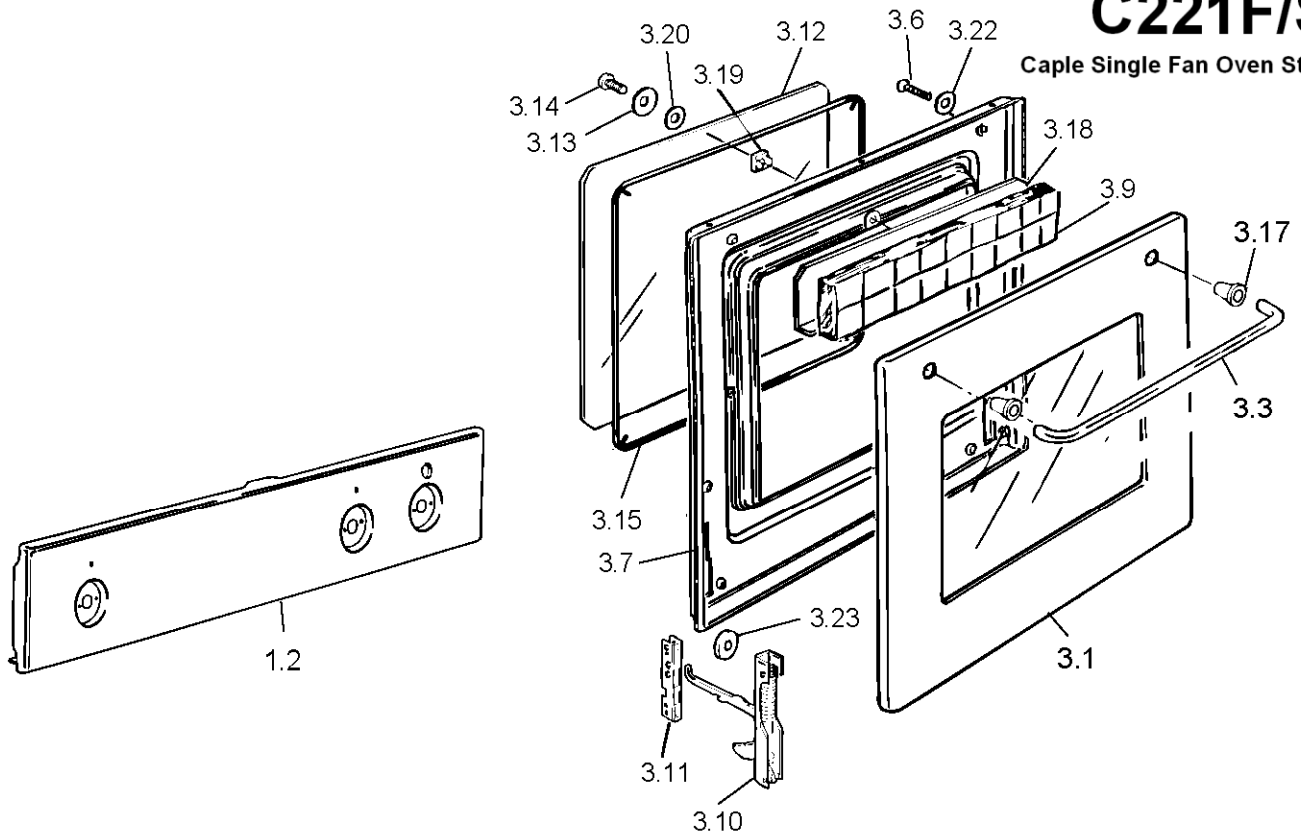
C221F/SS

Caple Single Fan Oven Stainless Steel

TECHNICAL INFORMATION

C221F/SS

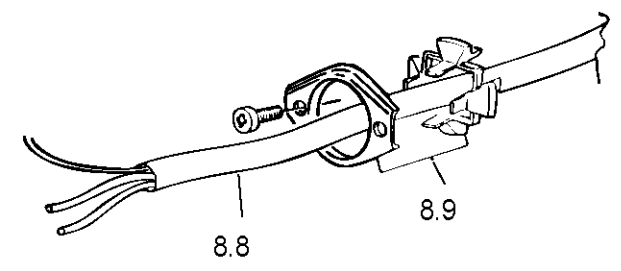
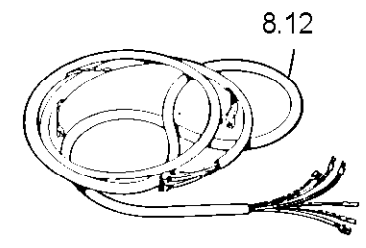
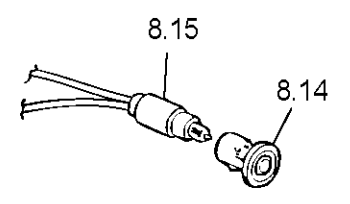
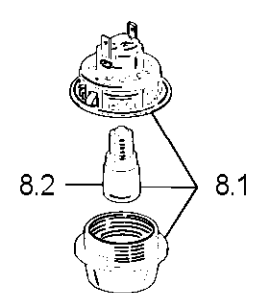
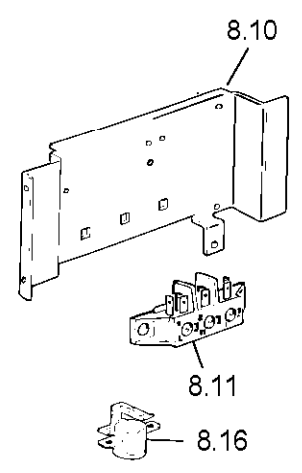
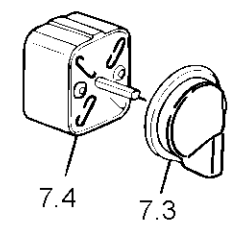
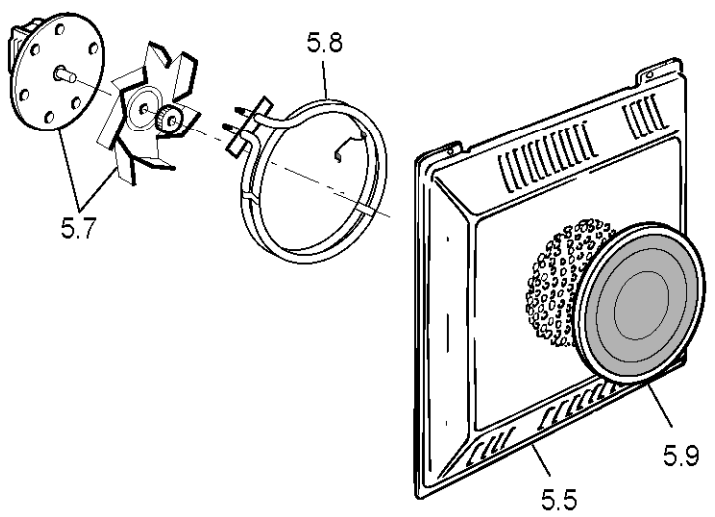
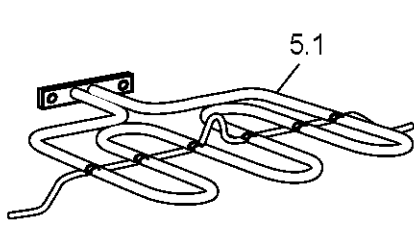
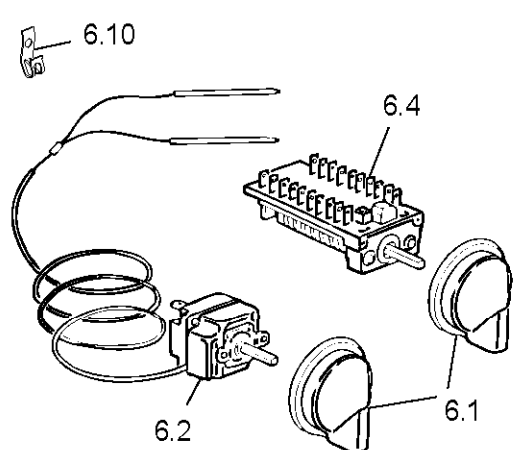
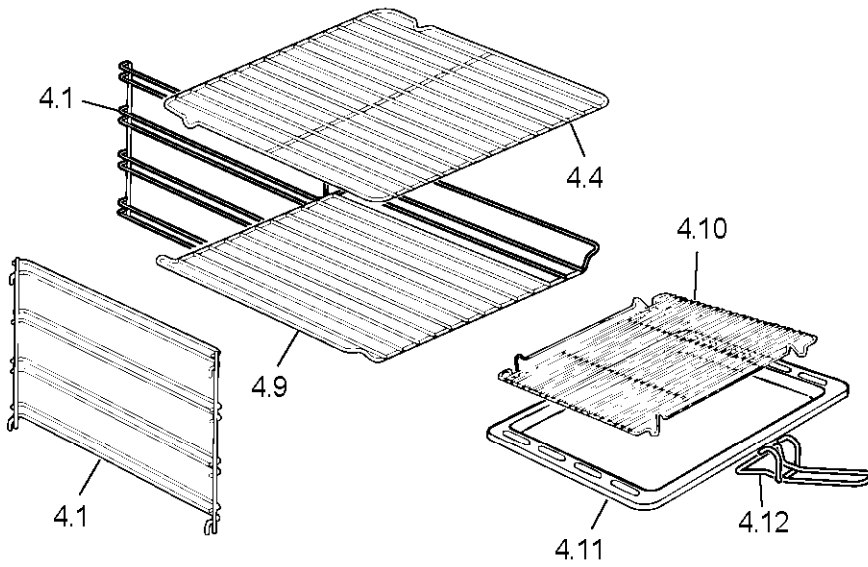
Caple Single Fan Oven Stainless Steel



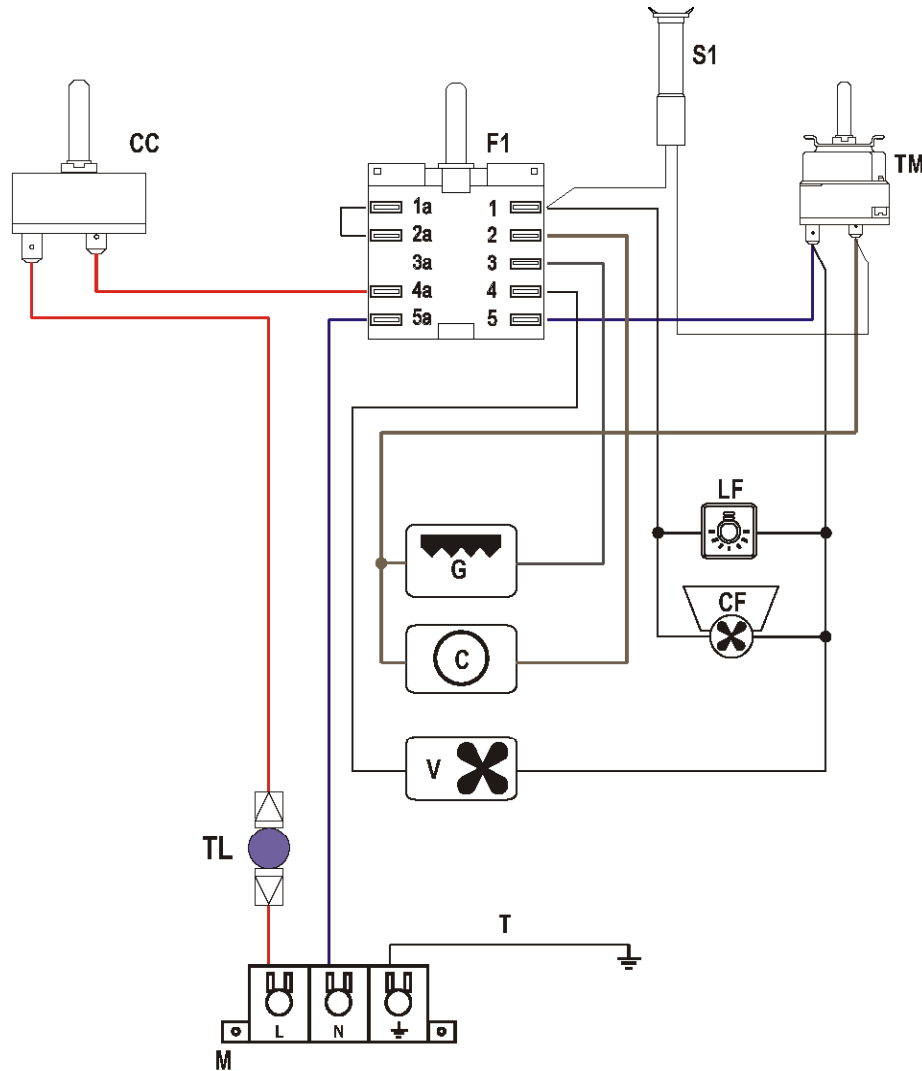
REF.	CODE	DESCRIPTION
1.1	35F706SYCP	Control panel
2.1	083184067	Trim surround
2.2	411F719	Right side panel
2.3	411F721	Left side panel
2.4	411F711	Control panel shelter
2.5	421FG01Z	Upper shelter
2.6	030092.1	Oven insulation
2.7	030028	Rear insulation
2.8	411F718	Rear panel
2.9	4216003Z	Insulation cross-piece
2.10	411F706	Bottom panel
2.11	053039	Seal
2.14	085019	Spacer
2.15	450F71EM13	Oven cube
2.16	079017	Tangential fan
2.18	411F724	Upper shelter
2.19	411F715	Upper air conveyor
2.20	411F716	Air conveyor
3.1	032F71016F	Outer glass
3.3	037174060	Handle
3.6	001184	Screw
3.7	373FF706K	Door skin
3.9	030057	Door insulation
3.10	063103	Hinge (male)
3.12	0311000.1T	Inner glass
3.13	103205	Inner glass washer
3.14	001214	Screw
3.15	053084	Glass seal
3.16	063025	Right hinge (female)
3.17	085039061	Oven sleeve
3.18	411F729	Insulation support
3.19	214021	Nut
3.20	003035	Washer
3.22	003041	Washer

C221F/SS

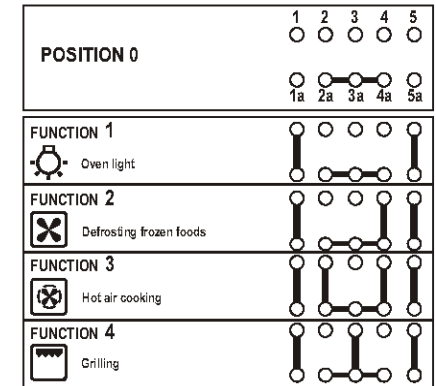
Caple Single Fan Oven Stainless Steel



REF.	CODE	DESCRIPTION
4.1	217291	Shelf support
4.4	217271	Wire shelf
4.9	217270.1	Wire shelf
4.10	217385	Grill-pan grid
4.11	48B5102K	Grill-pan
4.12	037144	Grill-pan grid handle
5.1	062053004	Grill element - 230 V
5.5	47AN601K	Fan diffuser
5.7	079008001F	Fan motor - 230 V
5.8	062057004	Fan element - 230 V
5.9	103085	Filter
6.1	218PN02200	Control knob (Black)
6.4	050032	Switch
6.2	066072	Thermostat
6.10	213025	Clip
7.3	218PN02200	120' cut-off timer knob (Black)
7.4	074012	120' cut-off timer
8.1	072003	Lamp holder
8.2	073013001	Lamp
8.8	054041	Cord 3x1,5
8.9	052001	Wire fastener
8.10	094162	Terminal bracket
8.11	051038	Terminal block
8.12	1131280	Wiring
8.14	073035	Control lamp cover (Red)
8.15	073038.2	Control lamp L=200
8.16	066073	Cut-off thermostat 130°
-	1101785	Instruction booklet



Oven switch diagram



ELECTRIC DIAGRAM KEY

- F1 Oven switch
- TM Oven thermostat
- LF Oven lamp
- TL Thermal overload
- CC Oven cutoff
- CF Cooling fan
- S1 Thermostat control lamp
- V Fan
- G Grill element
- C Circular element
- M Terminal block
- T Earth connection



C221F/SS

Caple Single Fan Oven Stainless Steel