

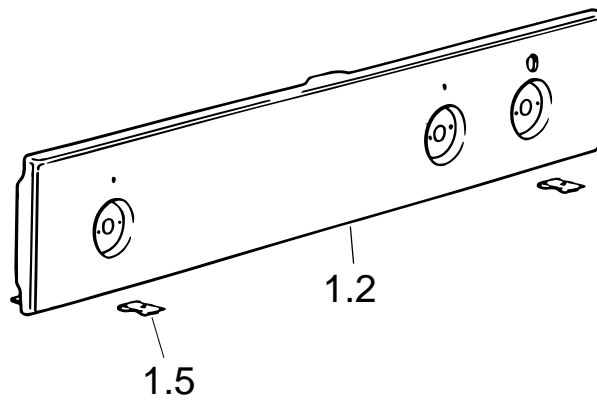


C220F/W

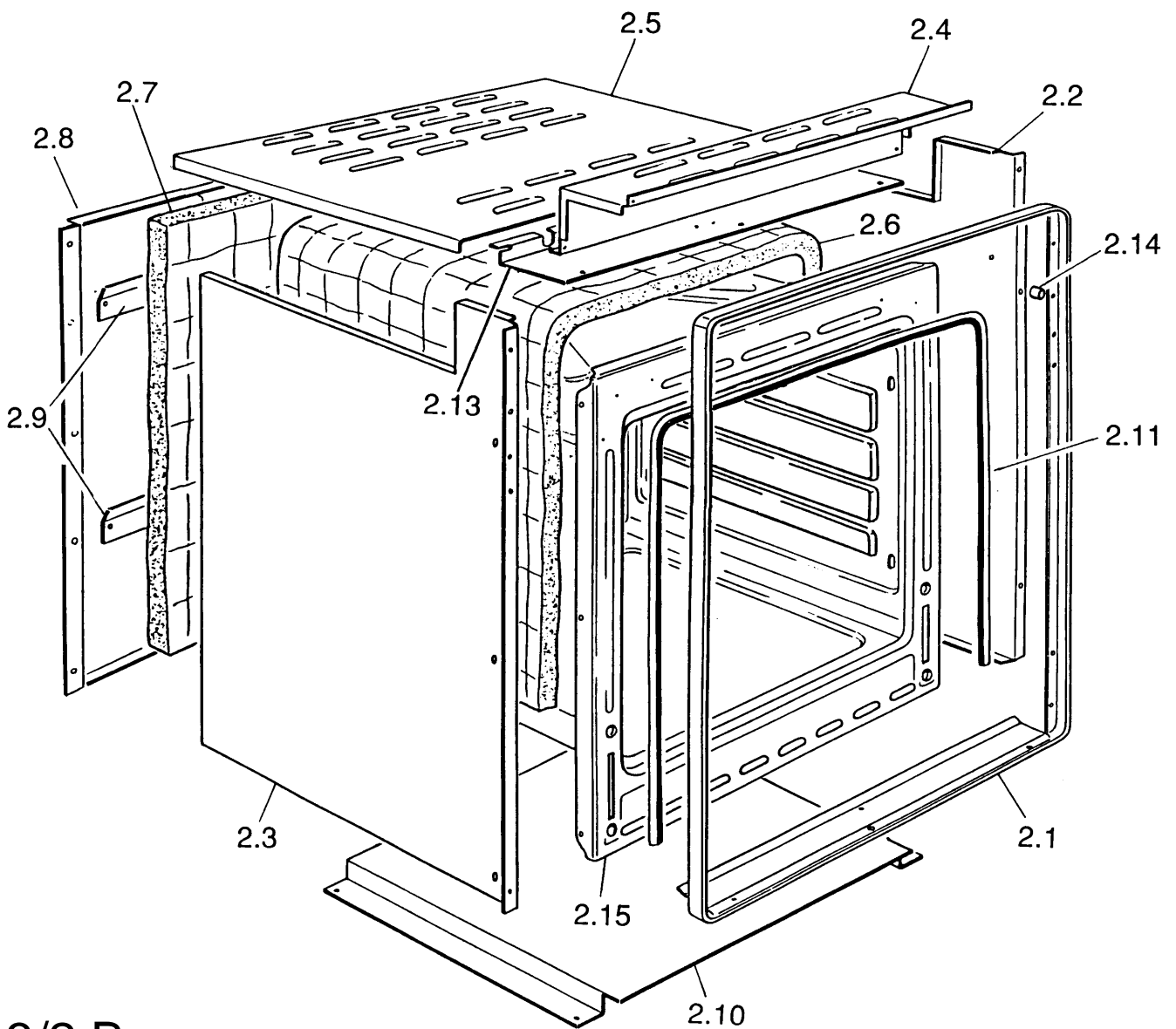
Caple Single Fan Oven WHITE



TECHNICAL INFORMATION



3/1.AG



3/2.B

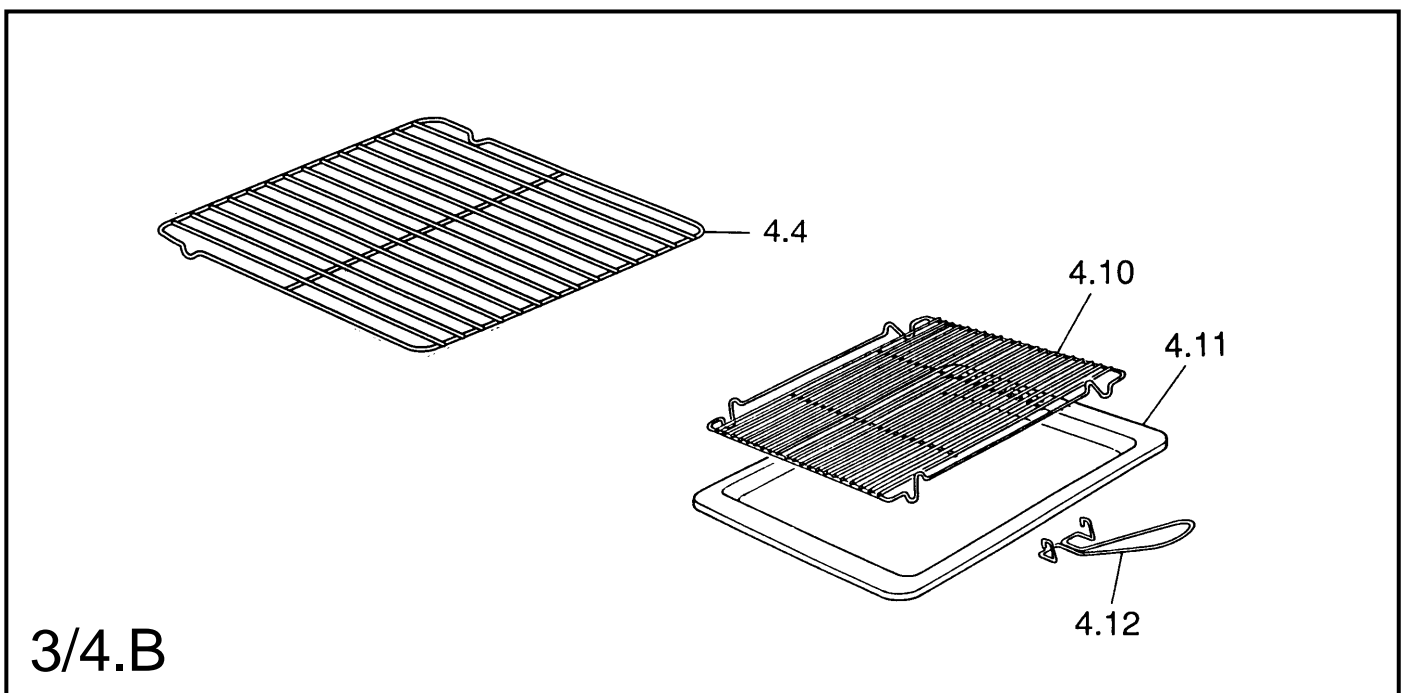
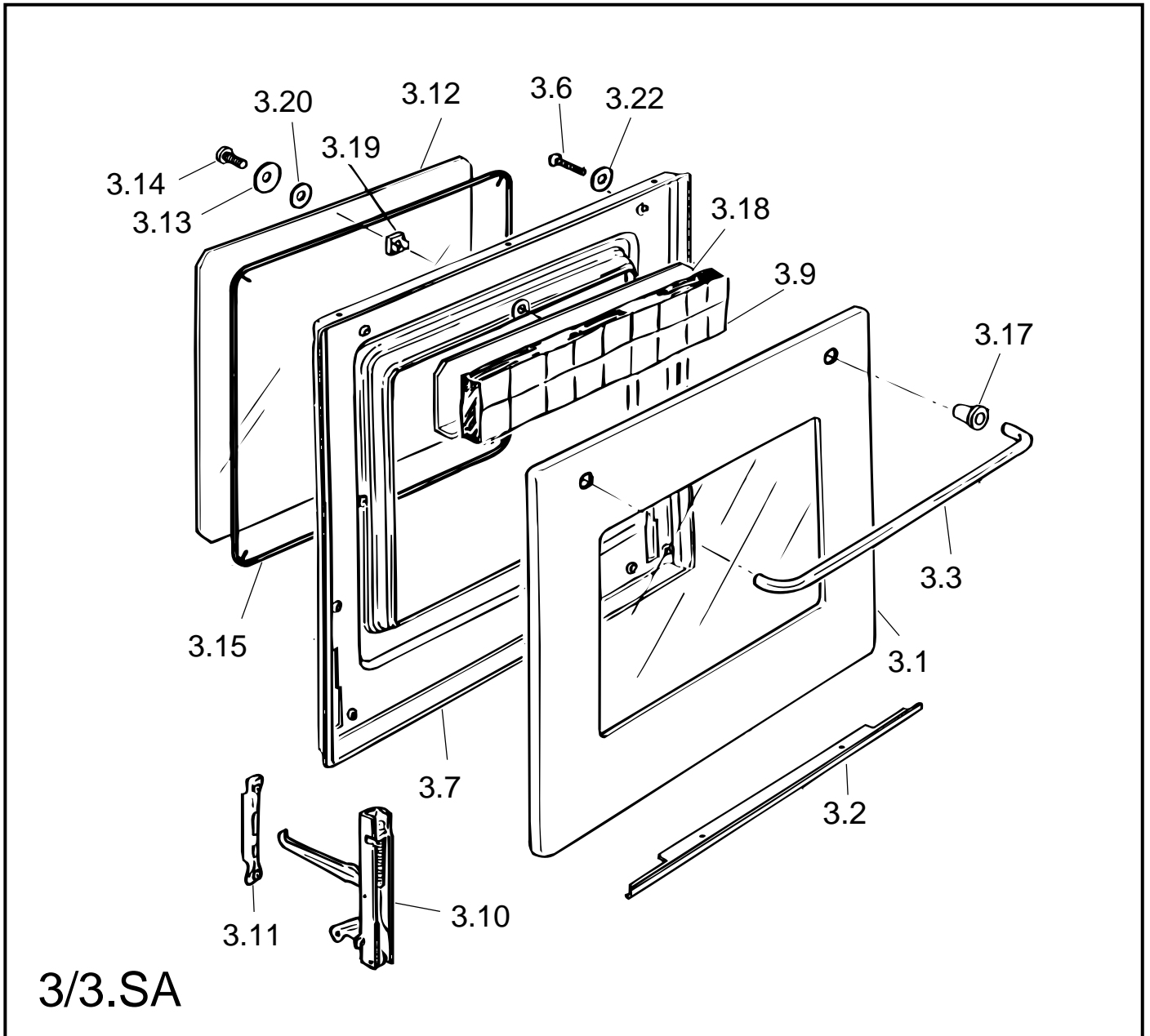
CONTROL PANEL AND BODY
OVENS: mod. C 220F/W, C 220F/B

Ref. Table: 3/1.AG

<u>REF.</u>	<u>CODE</u>	<u>DESCRIPTION</u>
1.2	35F70A61C3	Control panel - Mod. C 220F/W
=	35F7006NC3	Control panel - Mod. C 220F/B
1.5	213007	Clip

Ref. Table: 3/2.B

<u>REF.</u>	<u>CODE</u>	<u>DESCRIPTION</u>
2.1	083184035	Trim surround - Mod. C 220F/W
=	08318400M	Trim surround - Mod. C 220F/B
2.2	411F719	Right side panel
2.3	411F721	Left side panel
2.4	411F711	Control panel shelter
2.5	411F723	Upper shelter
2.6	030092.1	Oven insulation
2.7	030028	Rear insulation
2.8	411F718	Rear panel
2.9	4216003Z	Insulation cross-piece
2.10	411F706	Bottom panel
2.11	053039	Seal
2.13	4216002Z	Lower switch shelter
2.14	085019	Spacer
2.15	450F71EM14	Oven cube



OVEN DOOR

OVENS: mod. C 220F/W, C 220F/B

Ref. Table: 3/3.SA

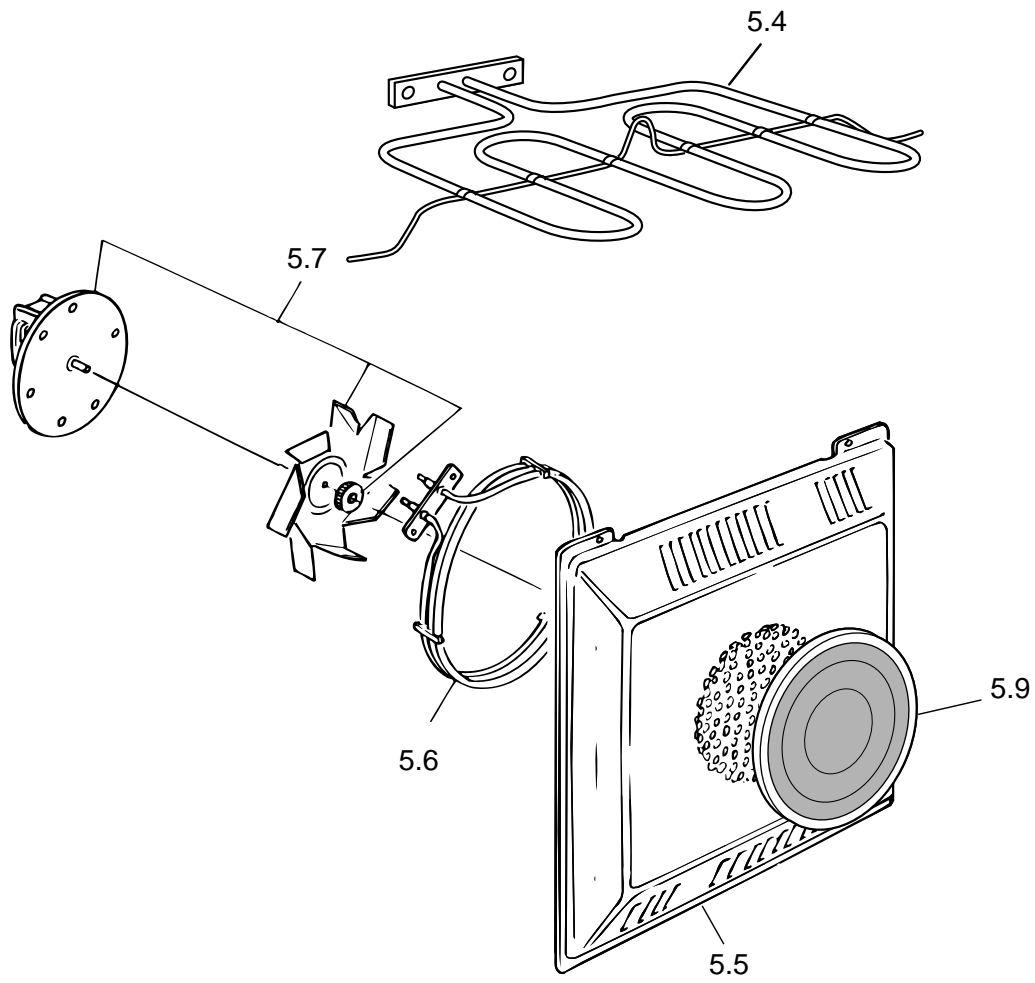
<u>REF.</u>	<u>CODE</u>	<u>DESCRIPTION</u>
3.1	0311360	Outer glass - Mod. C 220F/W
=	0311362	Outer glass - Mod. C 220F/B
3.2	083186035	Lower retainer trim - Mod. C 220F/W
=	08318600M	Lower retainer trim - Mod. C 220F/B
3.3	037128035	Handle - Mod. C 220F/W
=	03712800M	Handle - Mod. C 220F/B
3.6	001108	Screw
3.7	373FF704K	Door skin
3.9	030057	Door insulation
3.10	063053	Hinge (male)
3.11	063025	Hinge (female)
3.12	0311000.1	Inner glass
3.13	103205	Inner glass washer
3.14	001024	Screw
3.15	053084	Glass seal
3.17	085028035	Sleeve - Mod. C 220F/W
=	085028021	Sleeve - Mod. C 220F/B
3.18	411F729	Insulation support
3.19	214021	Nut with clips
3.20	003035	Silicone washer
3.22	003041	Washer

OVEN EQUIPMENT

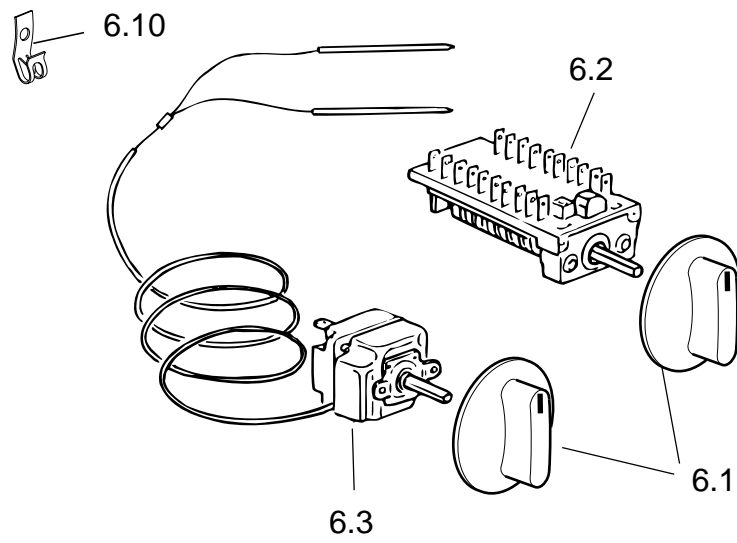
OVENS: mod. C 220F/W, C 220F/B

Ref. Table: 3/4.B

<u>REF.</u>	<u>CODE</u>	<u>DESCRIPTION</u>
4.4	217429	Wire shelf
4.10	217385	Grill-pan grid
4.11	48B5102K	Grill-pan
4.12	037144	Grill-pan grid handle



3/5.BB



3/6.CF

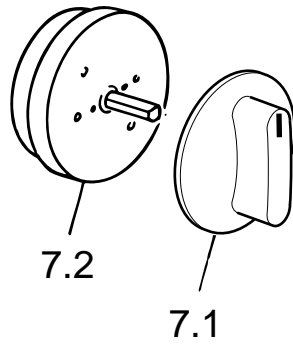
FAN OVENS**OVENS: mod. C 220F/W, C 220F/B**

Ref. Table: 3/5.BB

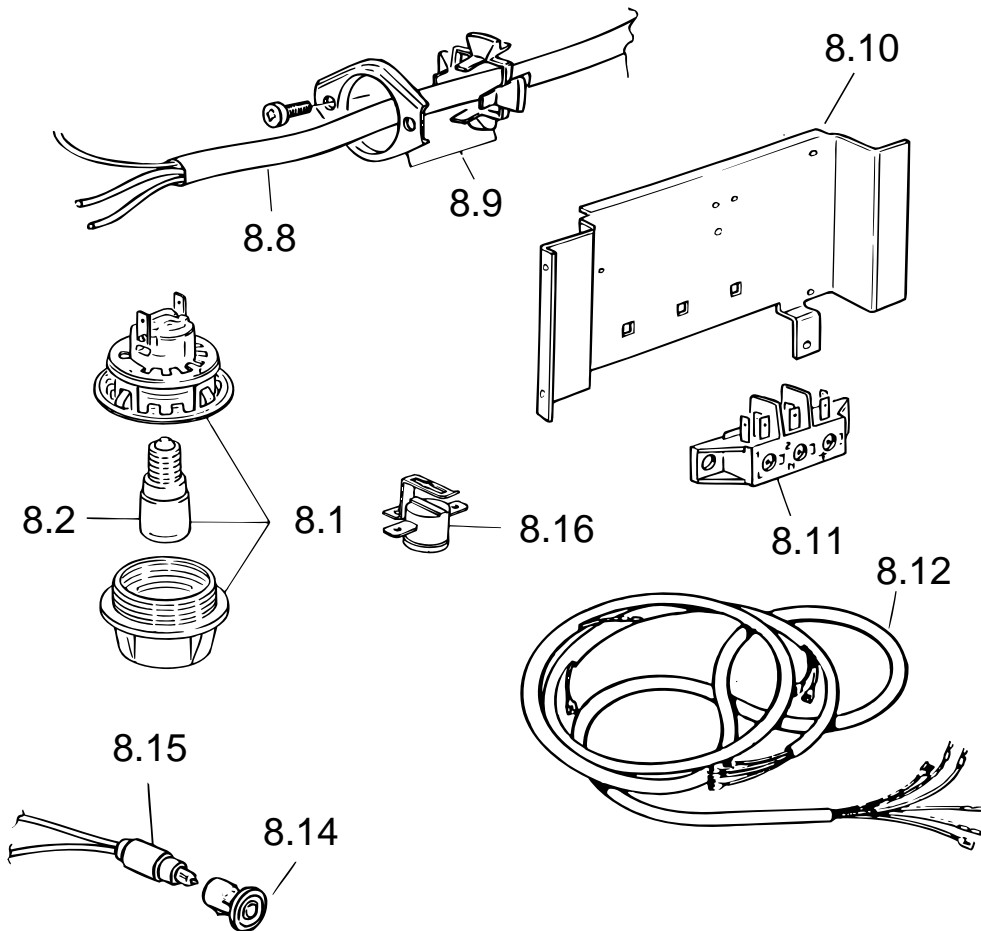
<u>REF.</u>	<u>CODE</u>	<u>DESCRIPTION</u>
5.4	062053004	Grill element - 230 V
5.5	47AN601K	Fan diffuser
5.6	062057004	Fan element - 230 V
5.7	079008001F	Fan motor - 230 V
5.9	103085	Filter

Ref. Table: 3/6.CF

<u>REF.</u>	<u>CODE</u>	<u>DESCRIPTION</u>
6.1	218A003103	Control knob - Mod. C 220F/W
=	218P004103	Control knob - Mod. C 220F/B
6.2	050032	Switch
6.3	066072	Thermostat
6.10	213015	Clip



3/7.B



3/8.BA

TIMER

OVENS: mod. C 220F/W, C 220F/B

Ref. Table: 3/7.B

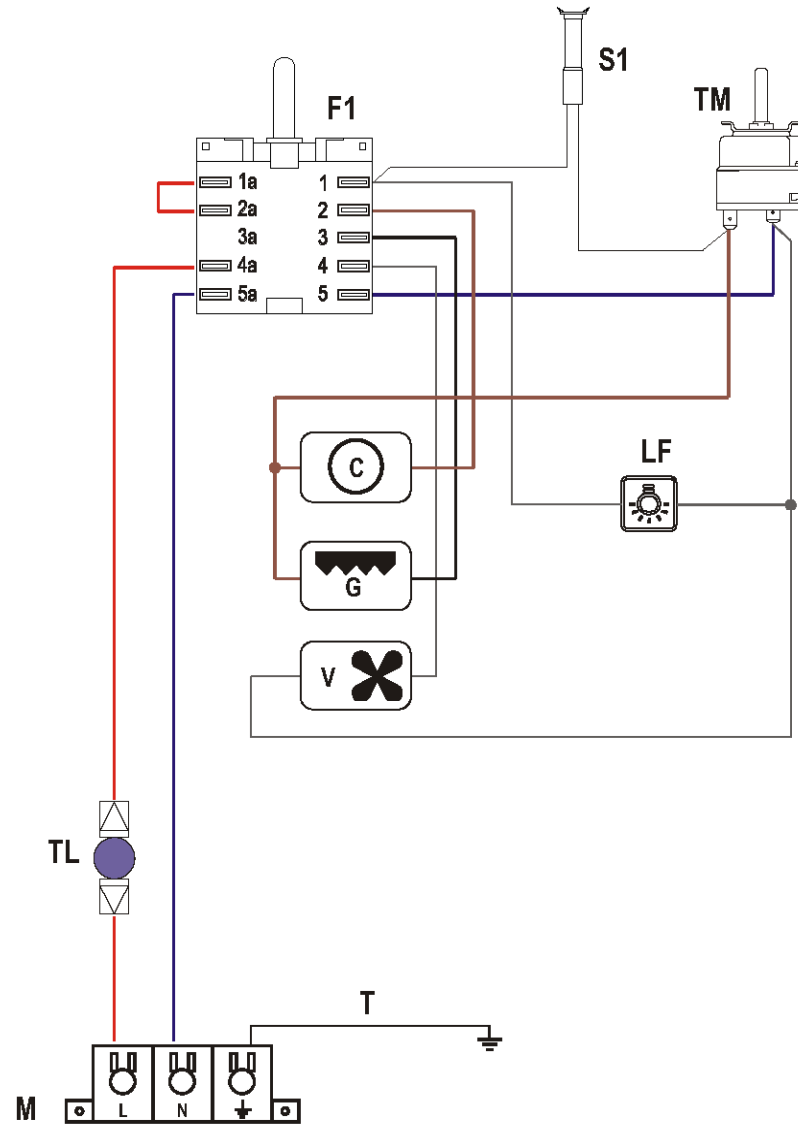
<u>REF.</u>	<u>CODE</u>	<u>DESCRIPTION</u>
7.1	218A003103	Timer knob - Mod. C 220F/W
=	218P004103	Timer knob - Mod. C 220F/B
7.2	074009	Timer knob

ELECTRICAL EQUIPMENT

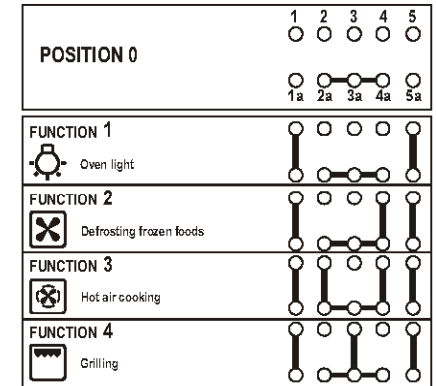
OVENS: mod. C 220F/W, C 220F/B

Ref. Table: 3/8.BA

<u>REF.</u>	<u>CODE</u>	<u>DESCRIPTION</u>
8.1	072003	Lamp holder
8.2	073013001	Lamp
8.8	054041	Cord
8.9	052001	Wire fastener
8.10	094162	Terminal bracket
8.11	051038	Terminal block
8.12	113836	Wiring
8.14	073035	Control lamp cover (Red)
8.15	073038.2	Control lamp L700
8.16	066057	Cut-off thermostat
–	1101245	Instruction booklet



Oven switch diagram



ELECTRIC DIAGRAM KEY

- F1 Oven switch
- TM Oven thermostat
- TL Thermal overload
- LF Oven lamp
- G Grill element
- C Circular element
- V Fan
- S1 Thermostat pilot lamp
- M Terminal block
- T Earth connection



C220F/W

Cape Single Fan Oven WHITE