



# C211F/W

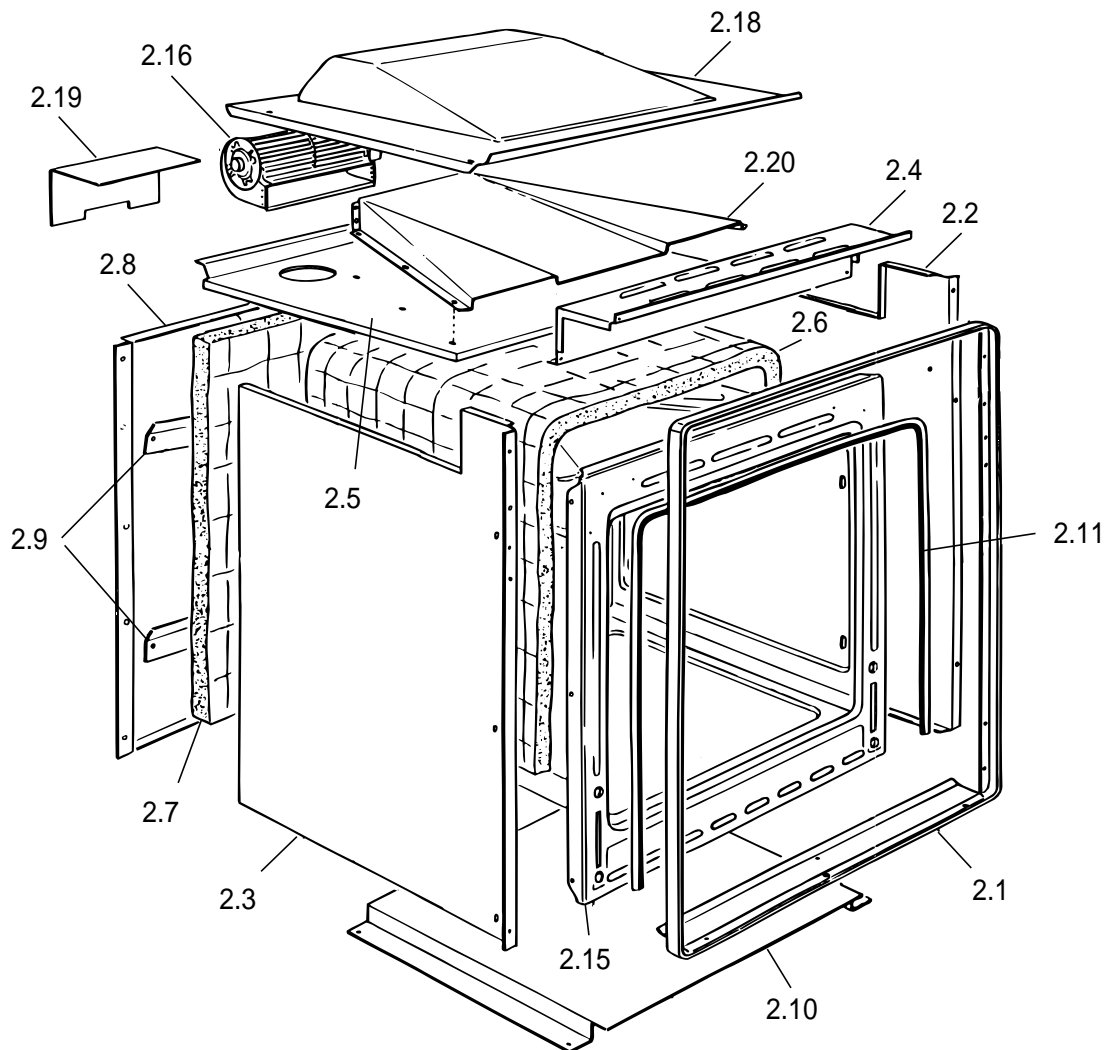
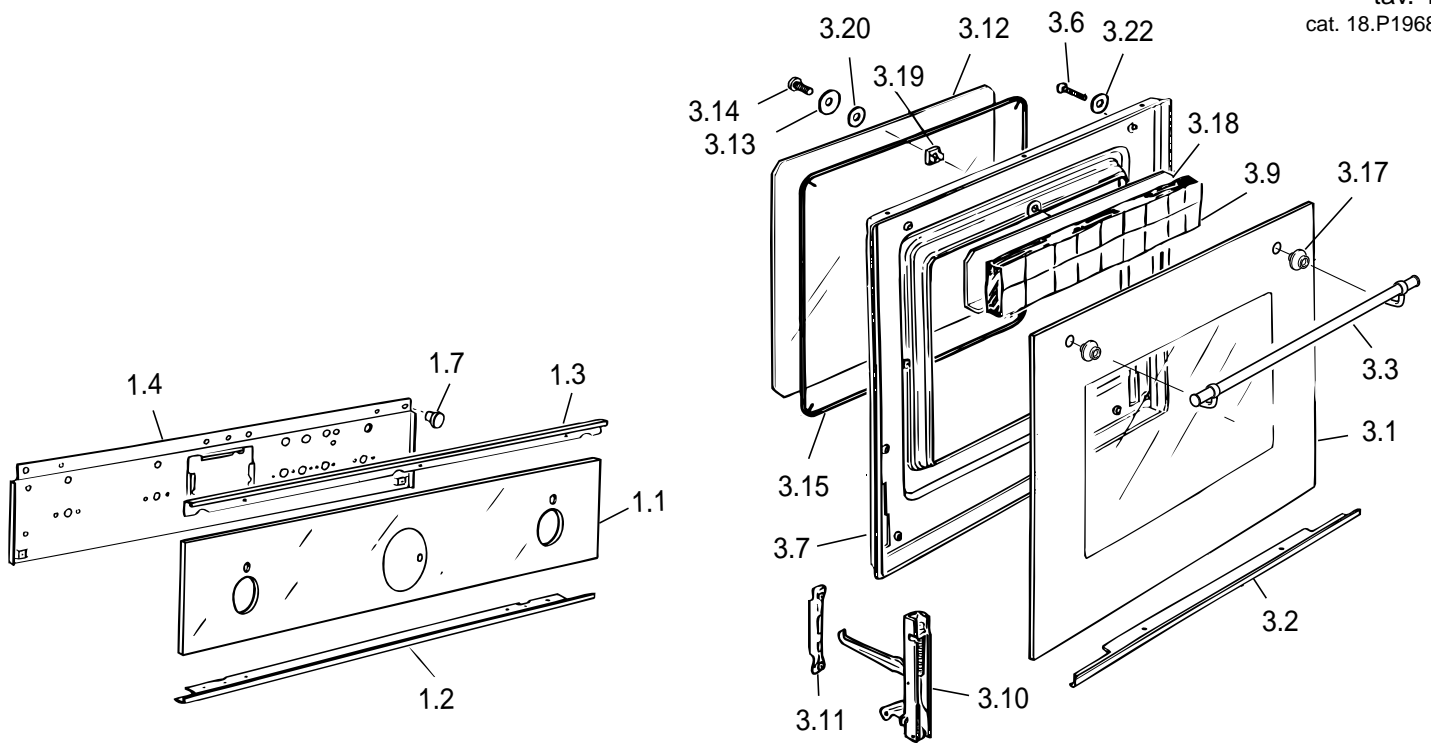
Caple Liberty Fan Oven White

TECHNICAL INFORMATION

# C 211F/W

FF70CP056W

tav. 1  
cat. 18.P1968



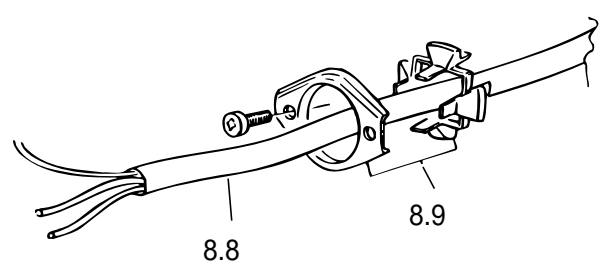
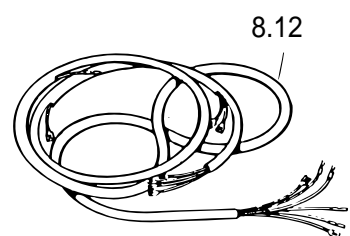
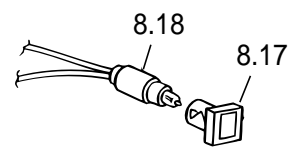
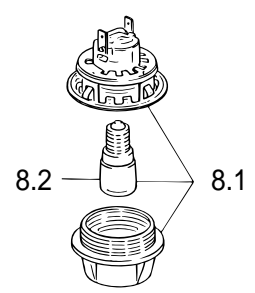
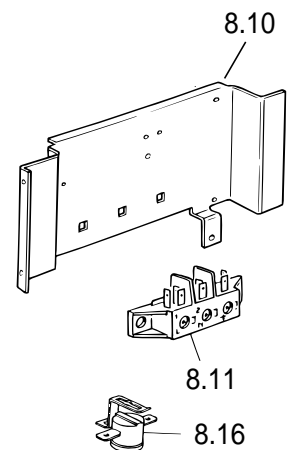
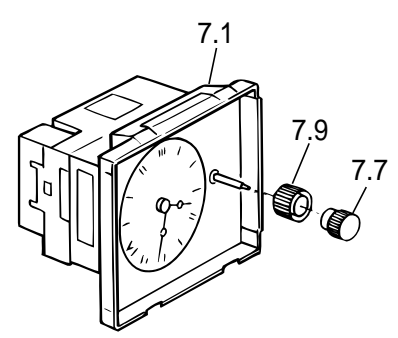
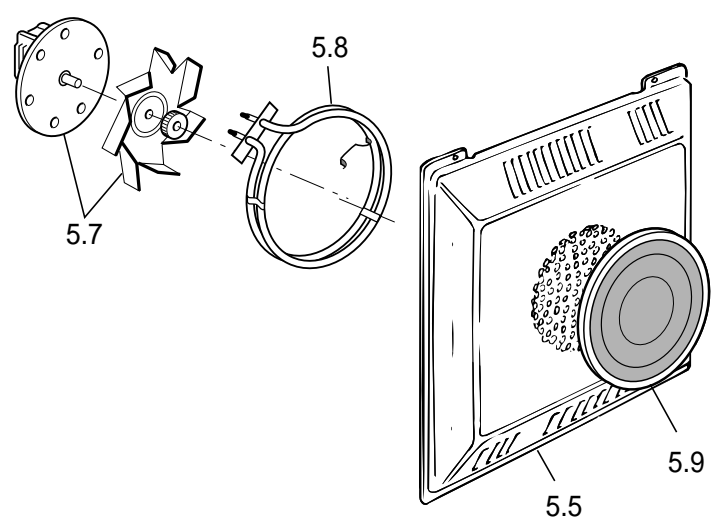
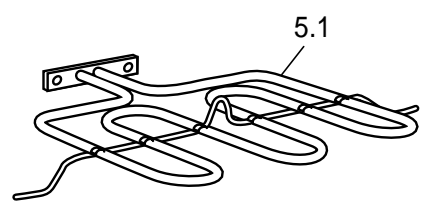
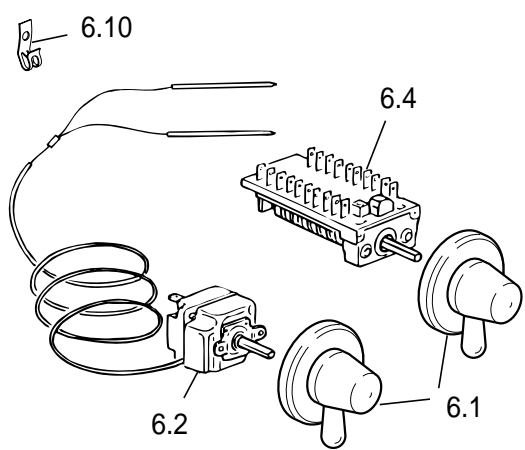
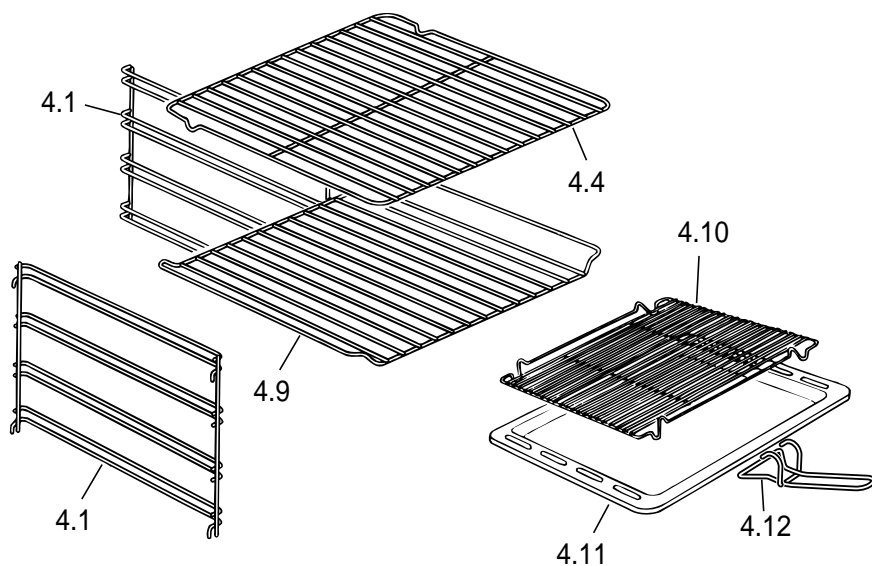
---

REF.	CODE	DESCRIPTION
1.1	0312119	Glass fascia panel
1.2	083093035	Lower retainer trim
1.3	083188035	Upper retainer trim
1.4	35MF70201	Interior control panel
1.7	040011	Glass spacer
2.1	083184035	Trim surround
2.2	411F719	Right side panel
2.3	411F721	Left side panel
2.4	411F711	Control panel shelter
2.5	421FG01Z	Upper shelter
2.6	030092.1	Oven insulation
2.7	030028	Rear insulation
2.8	411F718	Rear panel
2.9	4216003Z	Insulation cross-piece
2.10	411F706	Bottom panel
2.11	053039	Seal
2.14	085019	Spacer
2.15	450F71EM13	Oven cube
2.16	079017	Tangential fan
2.18	411F724	Upper shelter
2.19	411F715	Upper air conveyor
2.20	411F716	Air conveyor
3.1	0311727	Outer glass
3.2	083186035	Lower retainer
3.3	037198100	Handle
3.6	001184	Screw
3.7	373FF704K	Door skin
3.9	030057	Door insulation
3.10	063103	Hinge (male)
3.12	0311000.1T	Inner glass
3.13	103205	Inner glass washer
3.14	001214	Screw
3.15	053084	Glass seal
3.16	063025	Right hinge (female)
3.17	085079100	Oven sleeve
3.18	411F729	Insulation support
3.19	214021	Nut
3.20	003035	Washer
3.22	003041	Washer

# C 211F/W

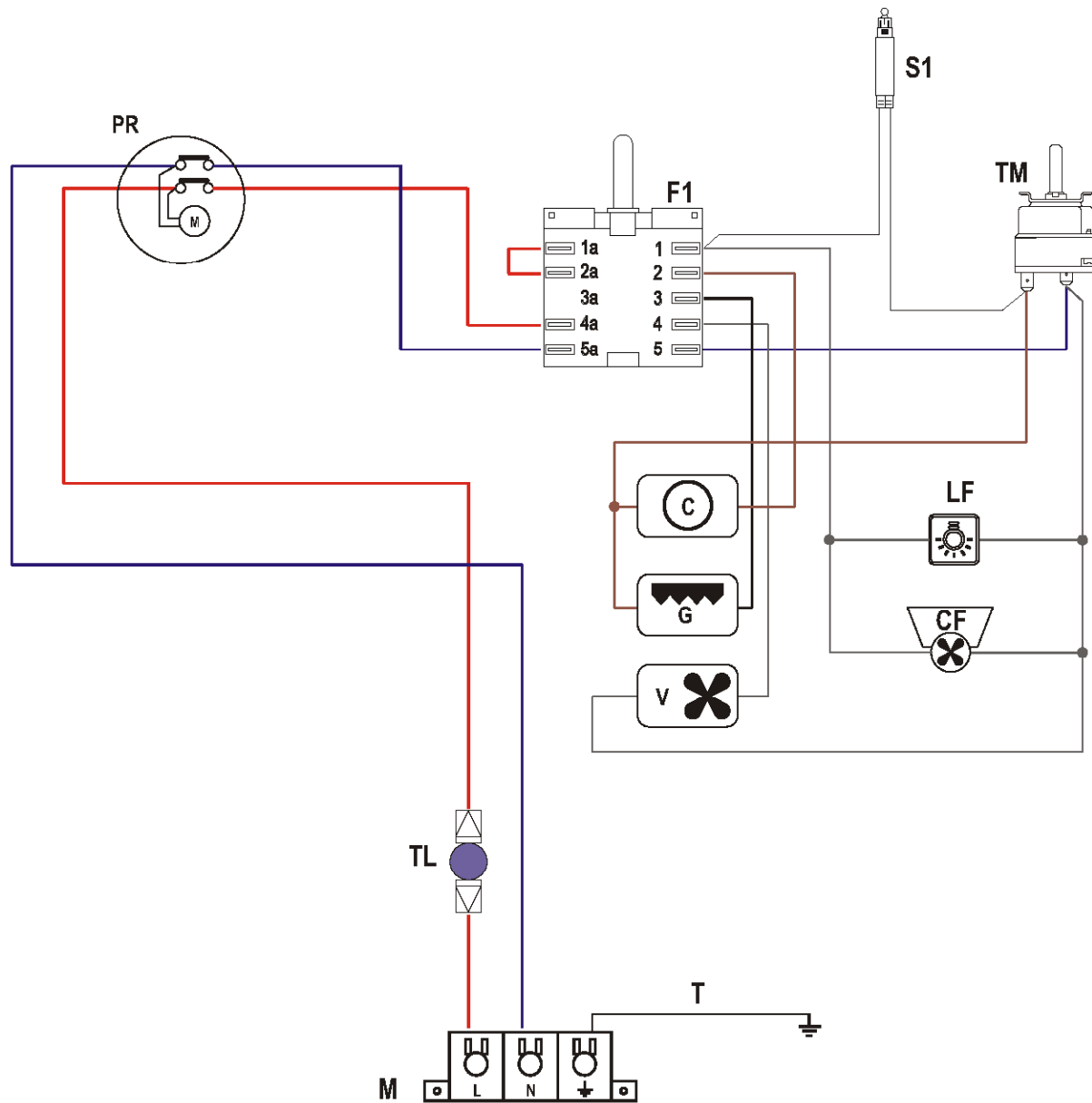
FF70CP056W

tav. 2  
cat. 18.P1968



---

REF.	CODE	DESCRIPTION
4.1	217291	Shelf support
4.4	217271	Wire shelf
4.9	217270.1	Wire shelf
4.10	217385	Grill-pan grid
4.11	48B5102K	Grill-pan
4.12	037144	Grill-pan grid handle
5.1	062053004	Grill element - 230 V
5.5	47AN601K	Fan diffuser
5.7	079008001F	Fan motor - 230 V
5.8	062057004	Fan element - 230 V
5.9	103085	Filter
6.1	2185C03291	Control knob (White)
6.4	050032	Switch
6.2	066072	Thermostat
6.10	213025	Clip
7.1	074031	Electronic timer
7.7	2180003104	Electronic timer knob
7.9	103155003	Electronic timer ring
8.1	072003	Lamp holder
8.2	073013001	Lamp
8.8	054041	Cord 3x1,5
8.9	052001	Wire fastener
8.10	094162	Terminal bracket
8.11	051038	Terminal block
8.12	1131284	Wiring
8.16	066073	Cut-off thermostat 130°
8.17	073030	Control lamp cover (Red)
8.18	073032	Control lamp L=700
-	1101785	Instruction booklet



**ELECTRIC DIAGRAM KEY**

- F1 Oven switch
- TM Oven thermostat
- TL Thermal overload
- PR Programmer
- LF Oven lamp
- CF Cooling fan
- G Grill element
- C Circular element
- V Fan
- S1 Thermostat pilot lamp
- M Terminal block
- T Earth connection



**C211F/W**

Caple Liberty Fan Oven White