

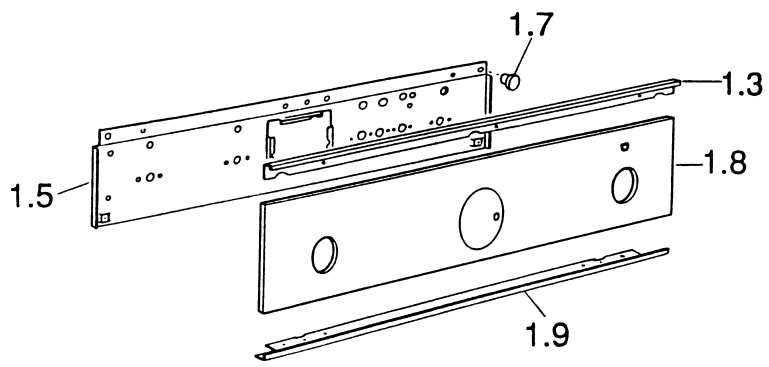


C210F/A

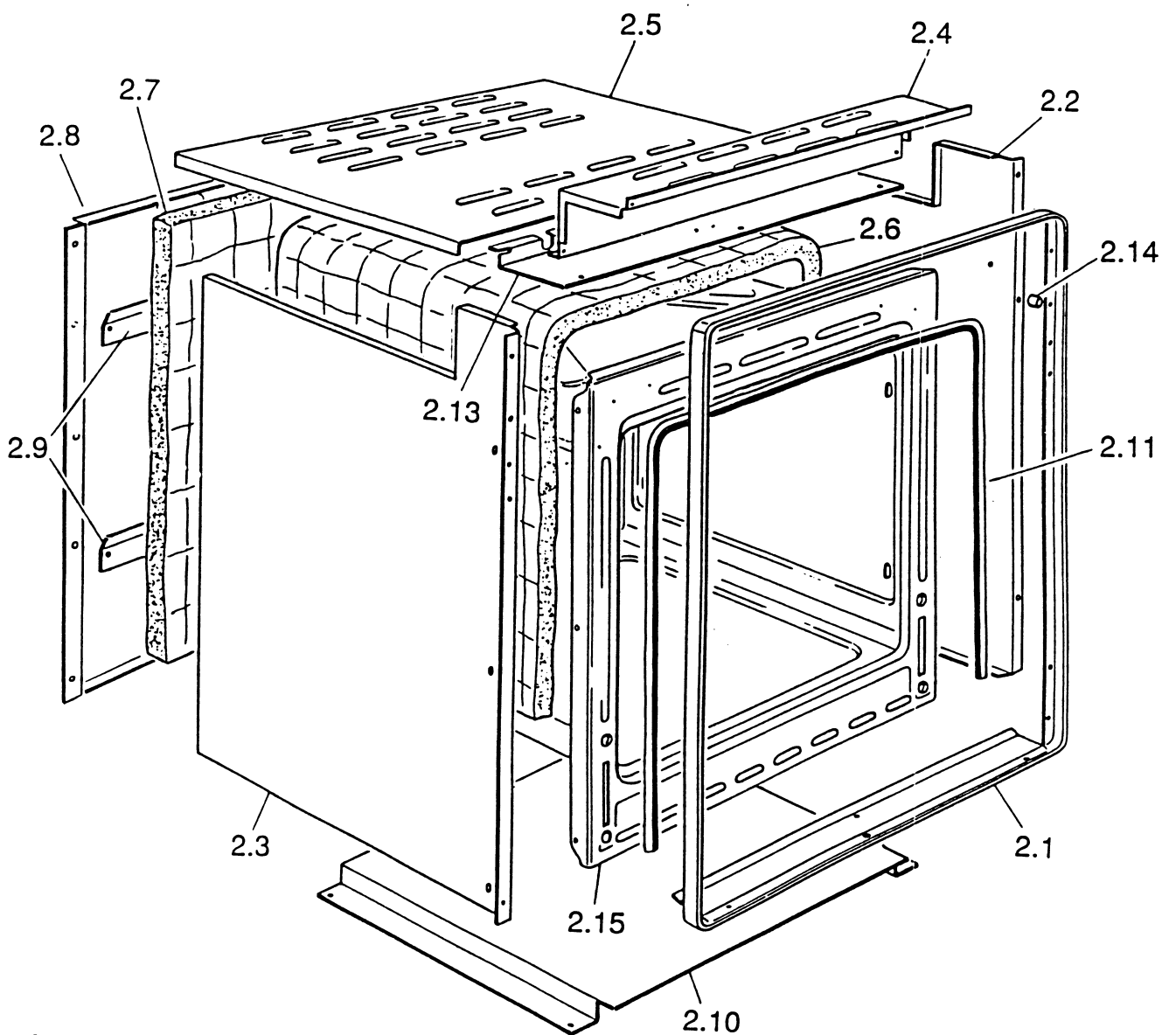
Caple Liberty Fan Oven Anthracite



TECHNICAL INFORMATION



3/1.AG



3/2.B

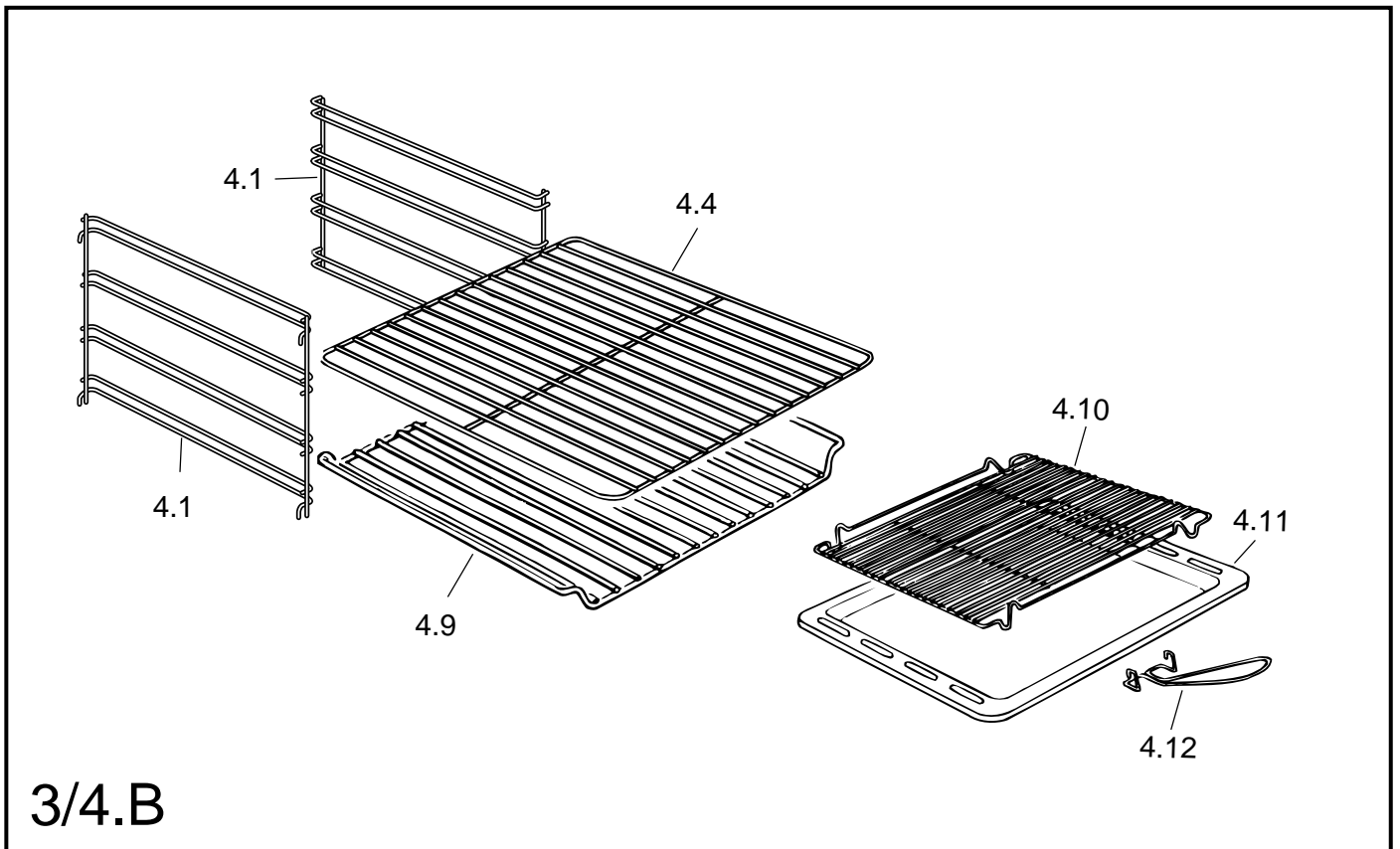
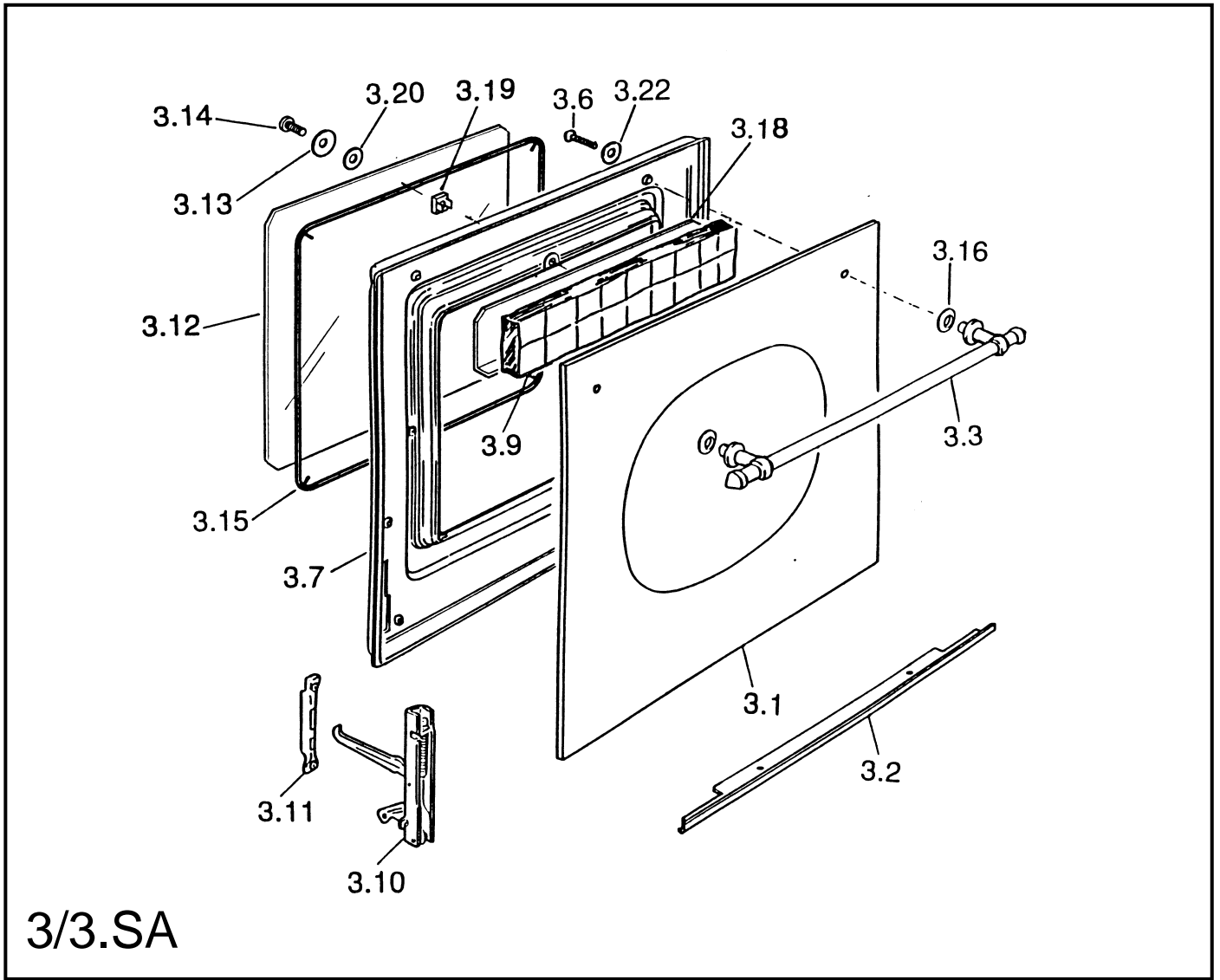
CONTROL PANEL AND BODY
FAN OVENS: mod. C 210F/W, C 210F/A

Ref. Table: 3/1.AG

<u>REF.</u>	<u>CODE</u>	<u>DESCRIPTION</u>
1.3	083188035	Upper retainer trim - Mod. C 210F/W
=	083188009	Upper retainer trim - Mod. C 210F/A
1.5	35MF70201	Interior control panel
1.7	040011	Glass spacer
1.8	0311426	Glass fascia panel - Mod. C 210F/W
=	0311427	Glass fascia panel - Mod. C 210F/A
1.9	083093035	Lower retainer trim - Mod. C 210F/W
=	083093009	Lower retainer trim - Mod. C 210F/A

Ref. Table: 3/2.B

<u>REF.</u>	<u>CODE</u>	<u>DESCRIPTION</u>
2.1	083184035	Trim surround - Mod. C 210F/W
=	083184009	Trim surround - Mod. C 210F/A
2.2	411F719	Right side panel
2.3	411F721	Left side panel
2.4	411F711	Control panel shelter
2.5	411F723	Upper shelter
2.6	030092.1	Oven insulation
2.7	030028	Rear insulation
2.8	411F718	Rear panel
2.9	4216003Z	Insulation cross-piece
2.10	411F706	Bottom panel
2.11	053039	Seal
2.13	4216002Z	Lower switch shelter
2.14	085019	Spacer
2.15	450F71EM12	Oven cube



OVEN DOOR

FAN OVENS: mod. C 210F/W, C 210F/A

Ref. Table: 3/3.SA

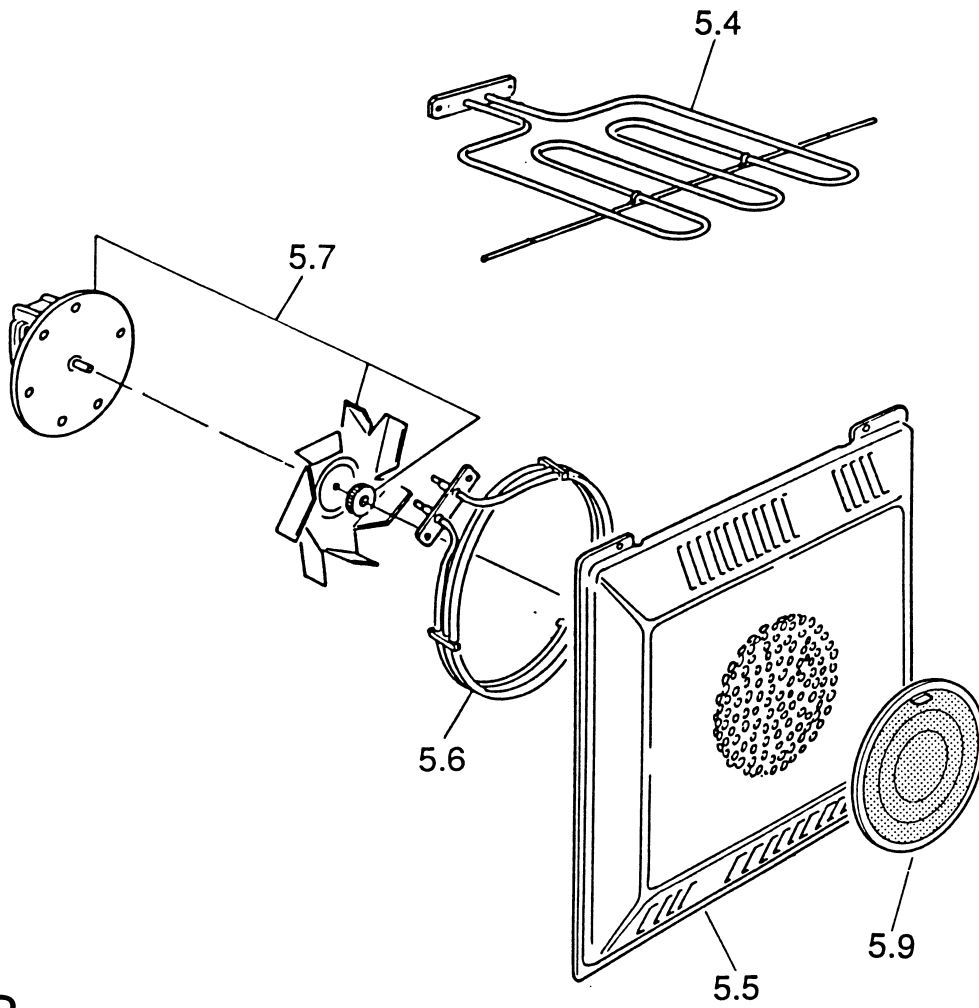
<u>REF.</u>	<u>CODE</u>	<u>DESCRIPTION</u>
3.1	0311424	Outer glass - Mod. C 210F/W
=	0311425	Outer glass - Mod. C 210F/A
3.2	083186035	Lower retainer trim - Mod. C 210F/W
=	083186009	Lower retainer trim - Mod. C 210F/A
3.3	037127	Handle
3.6	001105	Screw
3.7	373FF704K	Door skin
3.9	030057	Door insulation
3.10	063053	Hinge (male)
3.11	063025	Hinge (female)
3.12	0311000.1T	Inner glass
3.13	103205	Inner glass washer
3.14	001024	Screw
3.15	053084	Glass seal
3.16	003033	Washer
3.18	411F729	Insulation support
3.19	214021	Nut with clips
3.20	003035	Silicone washer
3.22	003041	Washer

OVEN EQUIPMENT

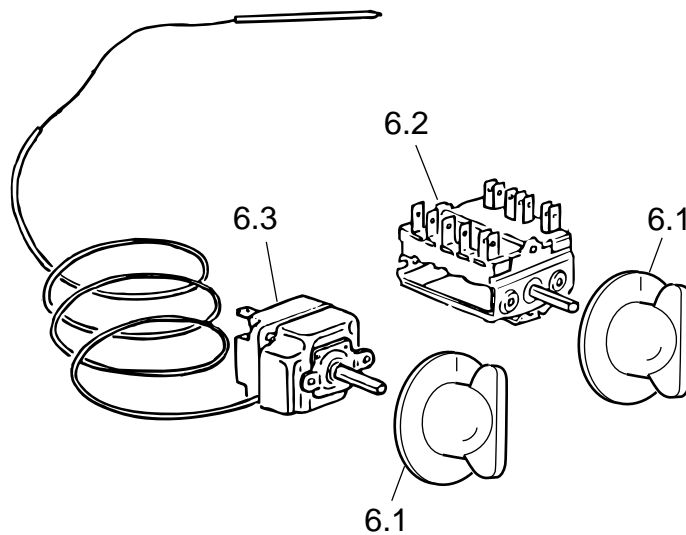
FAN OVENS: mod. C 210F/W, C 210F/A

Ref. Table: 3/4.B

<u>REF.</u>	<u>CODE</u>	<u>DESCRIPTION</u>
4.1	217291	Shelf support
4.4	217270.1	Wire shelf
4.9	217271	Wire shelf
4.10	217385	Grill-pan grid
4.11	48B5102K	Grill-pan
4.12	037144	Grill-pan grid handle



3/5.BB



3/6.CF

FAN OVENS

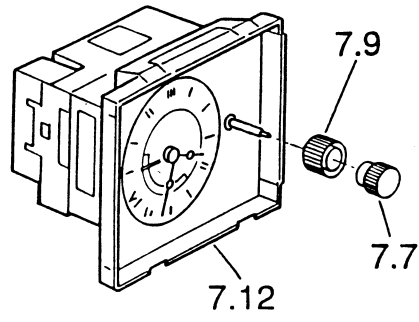
OVENS: mod. C 210F/W, C 210F/A

Ref. Table: 3/5.BB

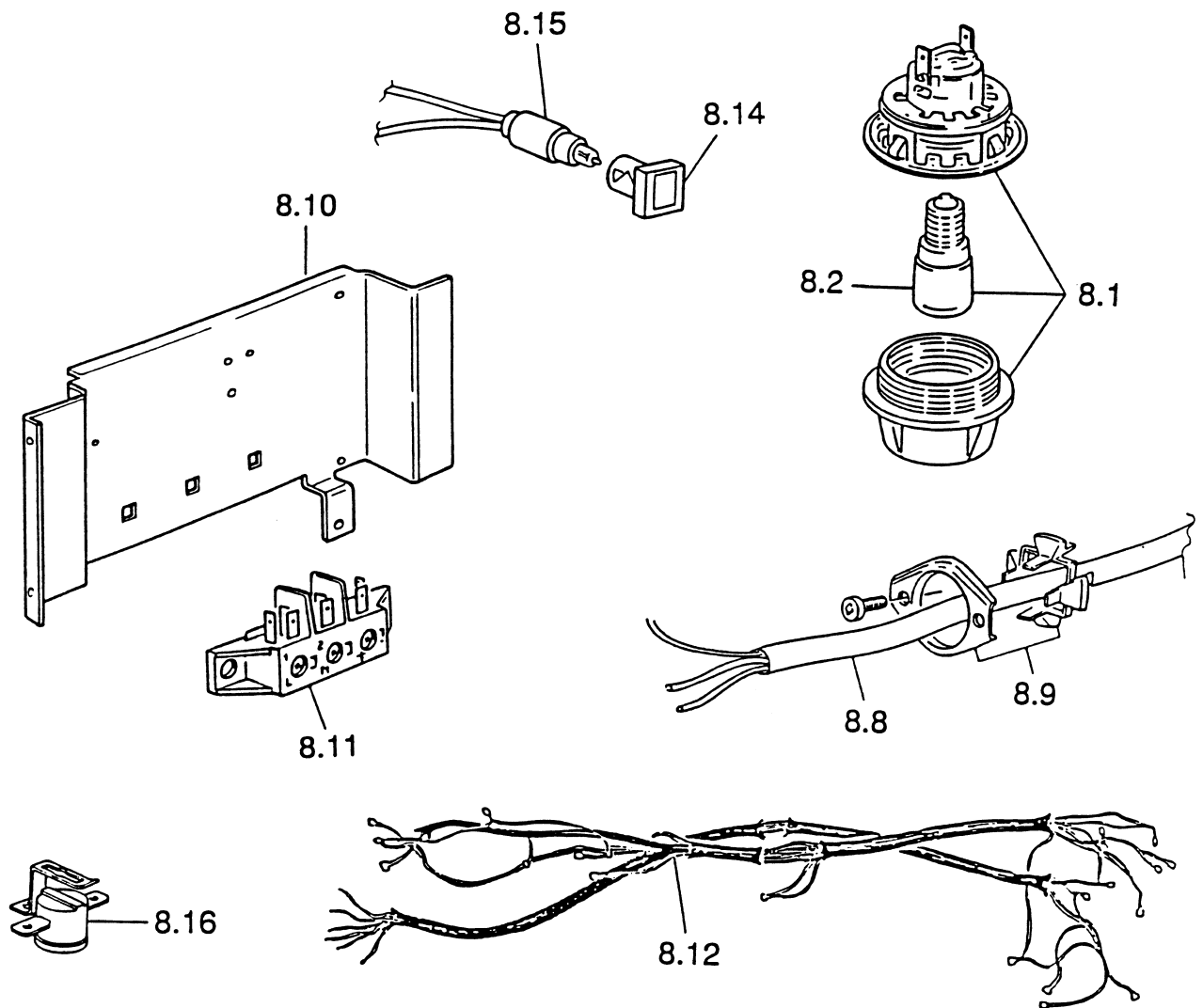
<u>REF.</u>	<u>CODE</u>	<u>DESCRIPTION</u>
5.4	062053004	Grill element - 230 V
5.5	47AN601K	Fan diffuser
5.6	062057004	Fan element - 230 V
5.7	079008001F	Fan motor - 230 V
5.9	103085	Filter

Ref. Table: 3/6.CF

<u>REF.</u>	<u>CODE</u>	<u>DESCRIPTION</u>
6.1	2183443115	Control knob (White)
=	2183442115	Control knob (Black)
6.2	050032	Switch
6.3	066072	Thermostat



3/7.BA



3/8.BA

CLOCK**FAN OVENS: mod. C 210F/W, C 210F/A**

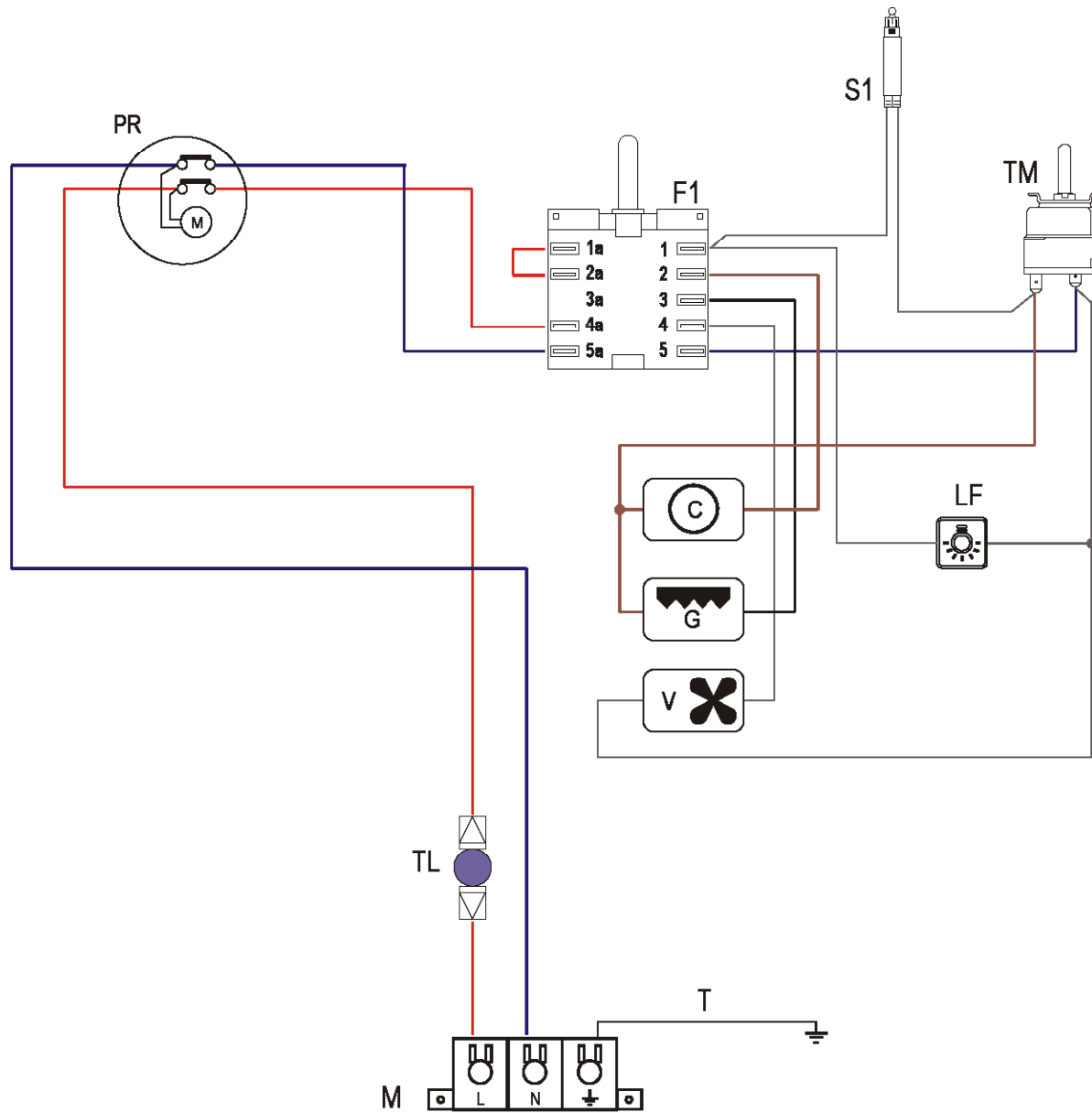
Ref. Table: 3/7.BA

<u>REF.</u>	<u>CODE</u>	<u>DESCRIPTION</u>
7.7	2180003104	Knob (White)
=	2180002104	Knob (Black)
7.9	103155003	Knob ring (White)
=	103155002	Knob ring (Black)
7.12	074031	Clock

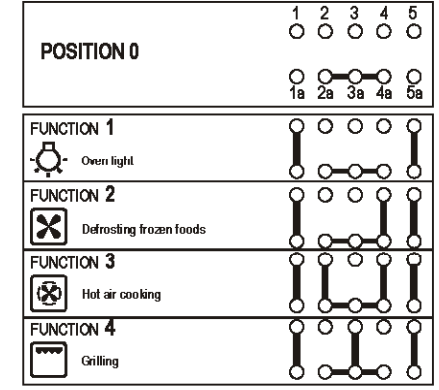
ELECTRICAL EQUIPMENT**FAN OVENS: mod. C 210F/W, C 210F/A**

Ref. Table: 3/8.BA

<u>REF.</u>	<u>CODE</u>	<u>DESCRIPTION</u>
8.1	072003	Lamp holder
8.2	073013001	Lamp
8.8	054041	Cord
8.9	052001	Wire fastener
8.10	094162	Terminal bracket
8.11	051038	Terminal block
8.12	113734	Wiring
8.14	073030	Control lamp cover (Red)
8.15	073032	Control lamp (rectangular) L700
8.16	066057	Cut-off thermostat
–	110925	Instruction booklet



Oven switch diagram



- ELECTRIC DIAGRAM KEY**
- F1 Oven switch
 - TM Oven thermostat
 - TL Thermal overload
 - PR Programmer
 - LF Oven lamp
 - G Grill element
 - C Circular element
 - V Fan
 - S1 Thermostat pilot lamp
 - M Terminal block
 - T Earth connection



C210F/A

Caple Liberty Fan Oven Anthracite