



C202BK

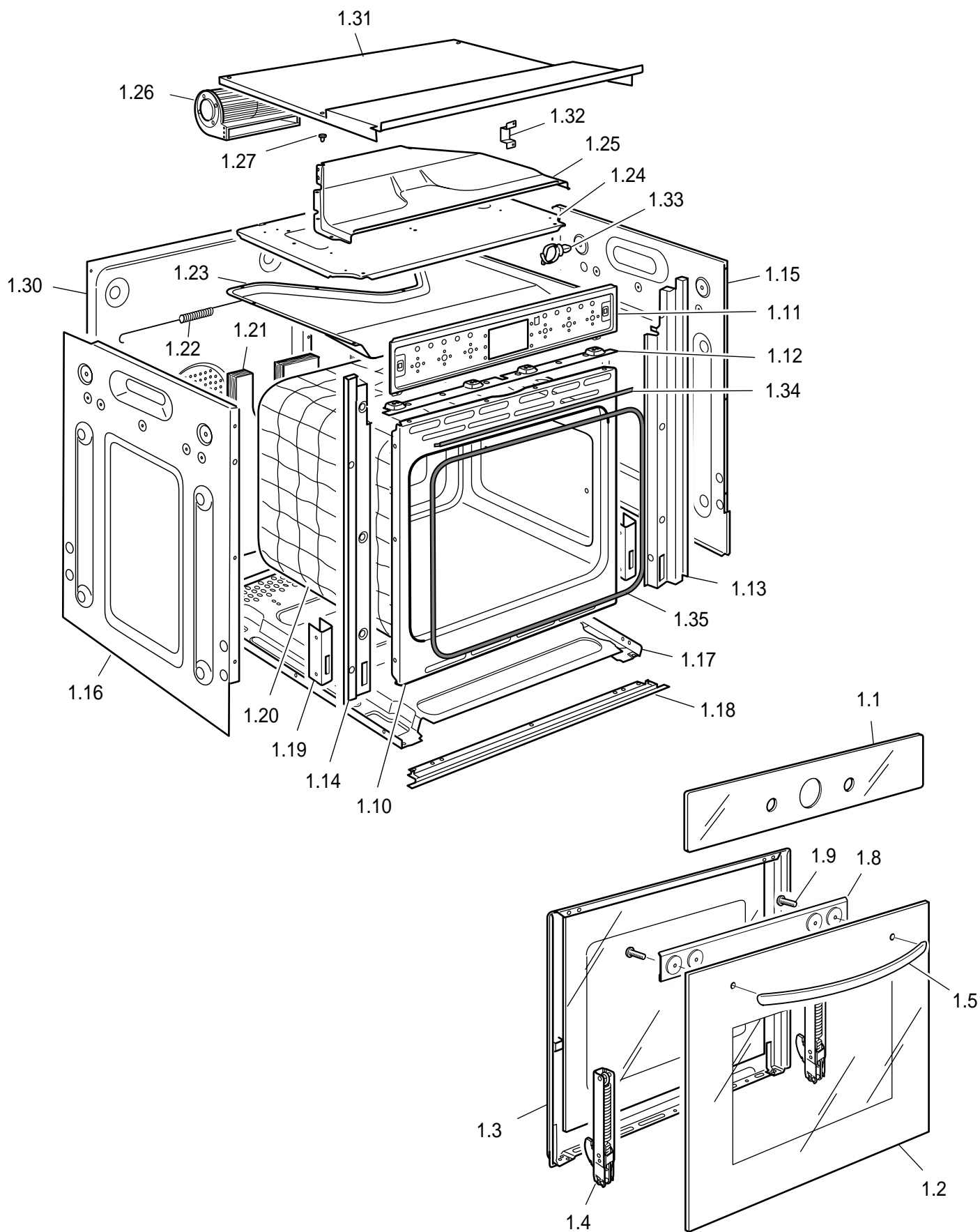
Caple DL Fan Oven BLACK

TECHNICAL INFORMATION

C 202 BK

F6E0CP005H

tav. 1
cat. 18.P2922

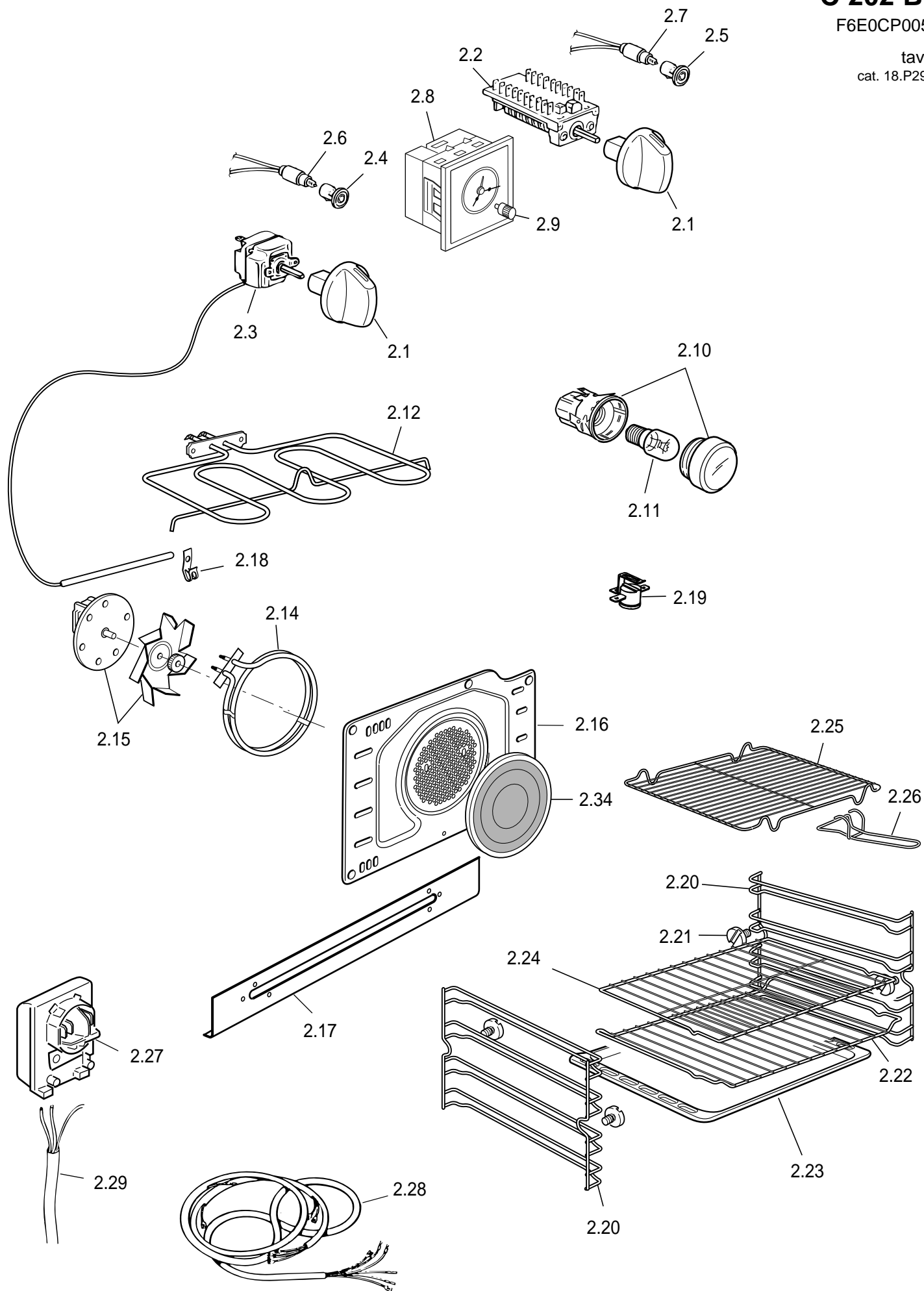


REF.	CODE	DESCRIPTION
1.1	032F62252	Glass facia panel
1.2	032F62253	Door glass
1.3	375FF6003	Door panel with inner glass
1.4	063107	Hinge (male)
1.5	037230080	Door handle
1.8	51BF604	Handle bar
1.9	001031	Door handle screw
1.10	450F61EV11	Oven cube
1.11	35MF60001H	Interior control panel
1.12	51BF605S	Control panel deflector
1.13	51BF601DS	Right front trim
1.14	51BF601SS	Left front trim
1.15	411F6D1Z	Right side panel
1.16	411F6S1Z	Left side panel
1.17	411F602.1	Bottom panel
1.18	08328400H	Lower trim
1.19	094390	Door hinge (female)
1.20	030120.1	Oven insulation
1.21	030122.1	Rear insulation
1.22	035101	Insulation spring
1.23	411F607	Lower air conveyor
1.24	421F602Z	Air conveyor support
1.25	411F605	Upper air conveyor
1.26	079017	Tangential fan
1.27	040056	Rubber
1.30	411F603	Rear panel
1.31	411F604	Upper shelter
1.32	094392	Thermal overload support
1.33	103672	Cable support
1.34	053074	Upper seal
1.35	053087	Seal

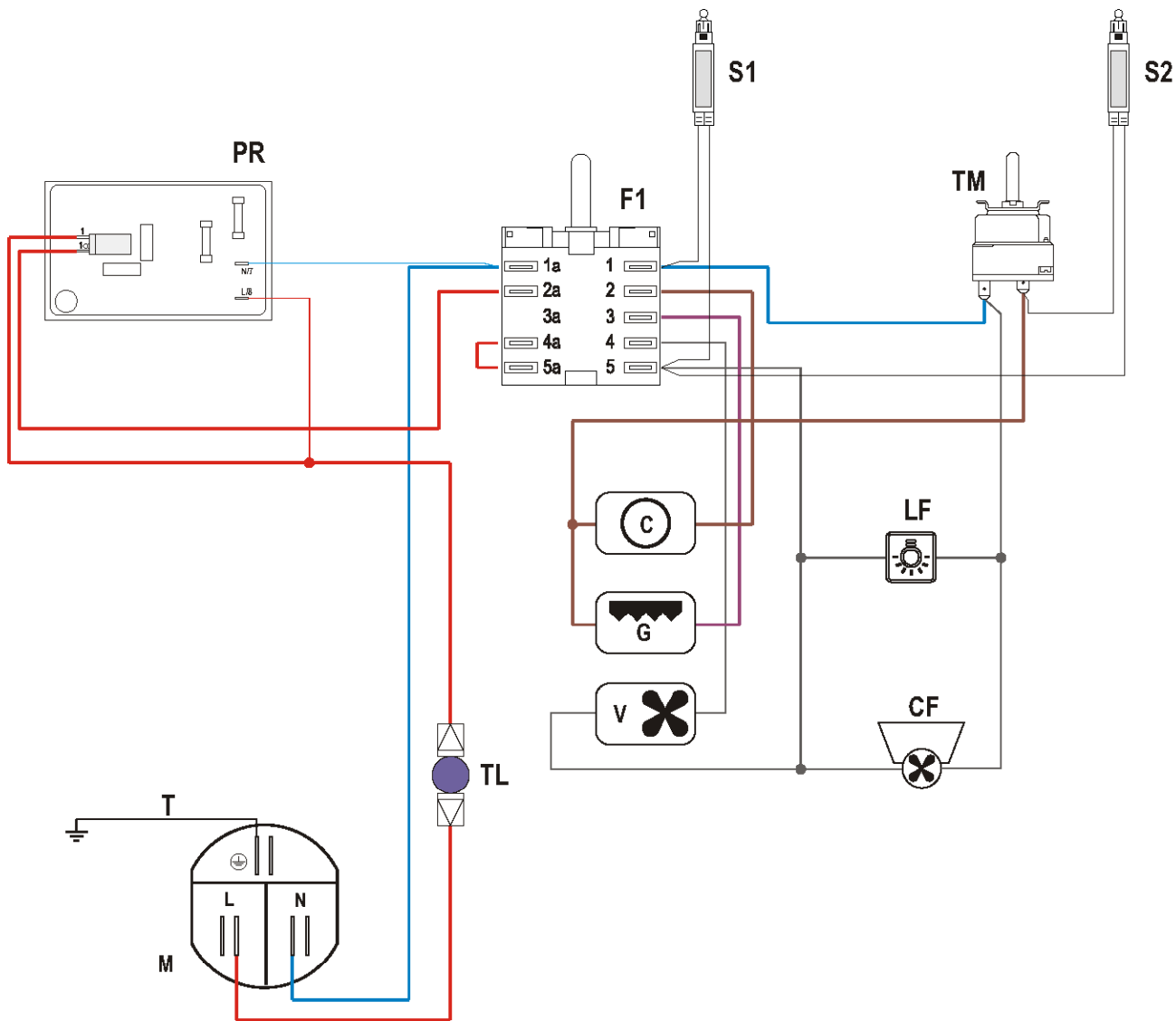
C 202 BK

F6E0CP005H

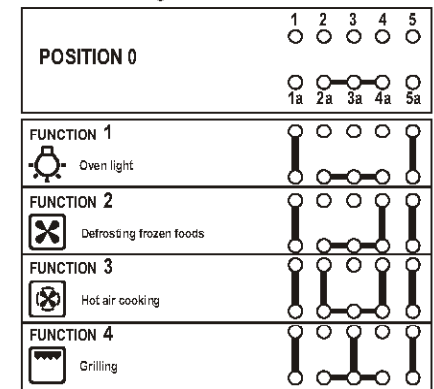
tav. 2
cat. 18.P2922



REF.	CODE	DESCRIPTION
2.1	2182002332	Control knob
2.2	050032	Switch
2.3	066141	Thermostat
2.4	07306202.2	Control lamp cover (Red)
2.5	07306201.2	Control lamp cover (Orange)
2.6	073039.2	Control lamp L 230/240
2.7	073044.2	Control lamp L 600/240
2.8	074057/1	Electric clock
2.9	2180002252	Electric clock knob
2.10	072006	Lamp holder
2.11	073013001	Lamp
2.12	062099004	Grill element - 230 V
2.14	062097004	Fan element - 230 V
2.15	079008001F	Fan motor - 230 V
2.16	47AF601K	Fan diffuser
2.17	51BF603	Bottom element support
2.18	213025	Clip
2.19	066140	Cut-off thermostat 175°
2.20	217528	Shelf support
2.21	001142	Shelf support screw
2.22	217556	Wire shelf
2.23	48BF601K	Oven tray
2.24	217527	Wire shelf
2.25	217546	Grill-pan grid
2.26	037144	Grill-pan grid handle
2.27	051046	Terminal block
2.28	1131373	Wiring
2.29	054041	Cord 3x1,5
2.34	103085	Filter
-	1102113	Instruction booklet



Oven switch diagram



ELECTRIC DIAGRAM KEY

- F1 Oven switch
- TM Oven thermostat
- TL Thermal overload
- PR Programmer
- LF Oven lamp
- G Grill element
- C Circular element
- V Fan
- CF Cooling fan
- S1 Line pilot lamp
- S2 Thermostat pilot lamp
- M Terminal block
- T Earth connection



C202BK

Cable DL Fan Oven BLACK