



C201F/B

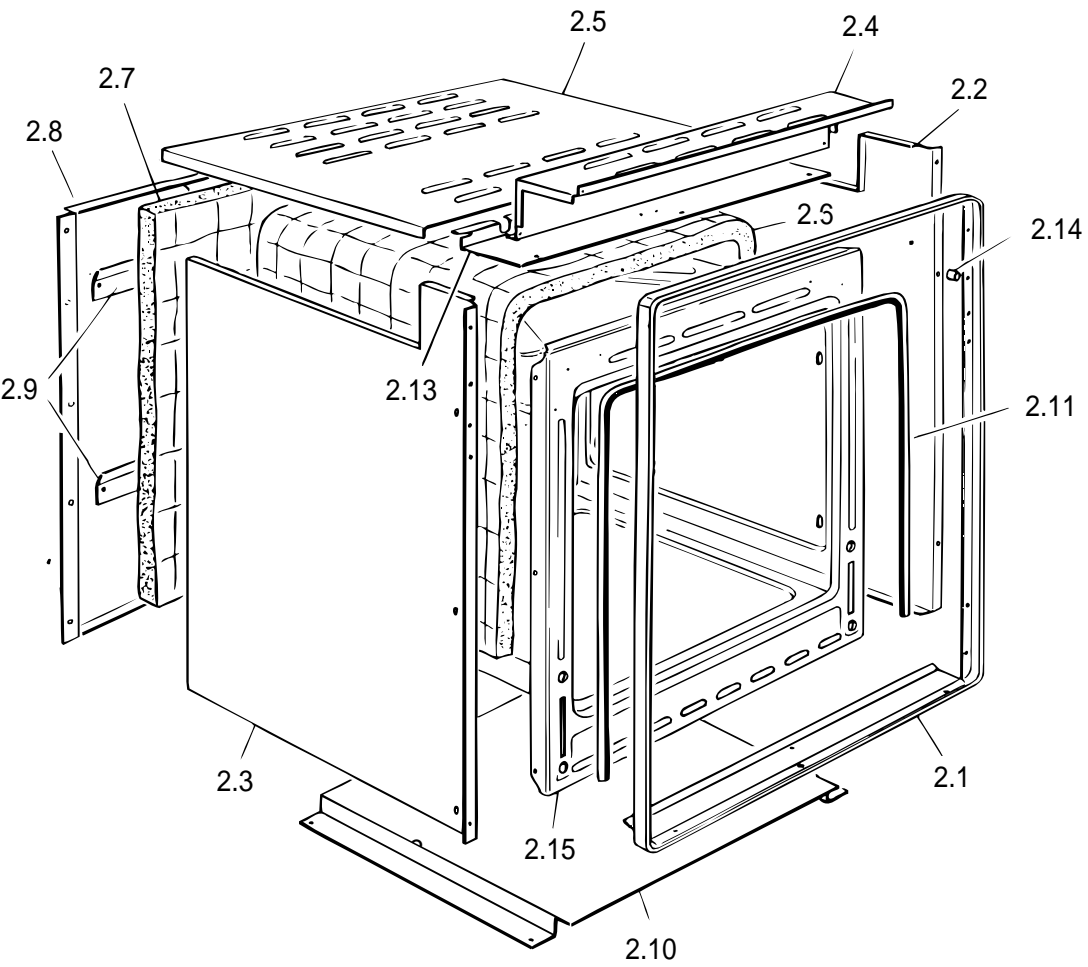
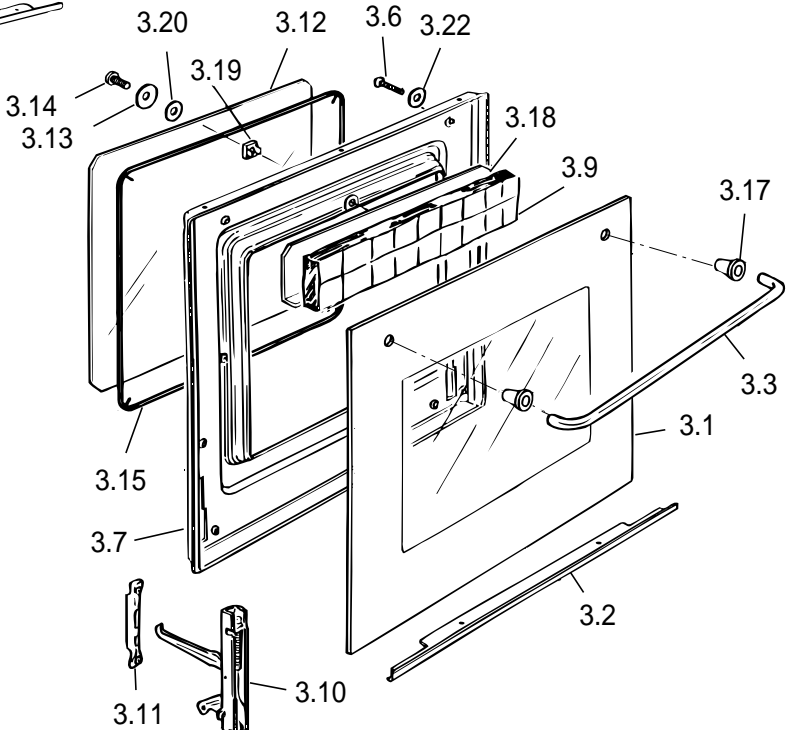
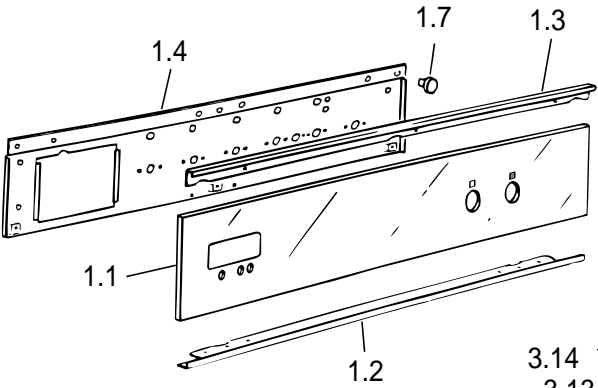
Caple Deluxe Fan Oven Brown

TECHNICAL INFORMATION

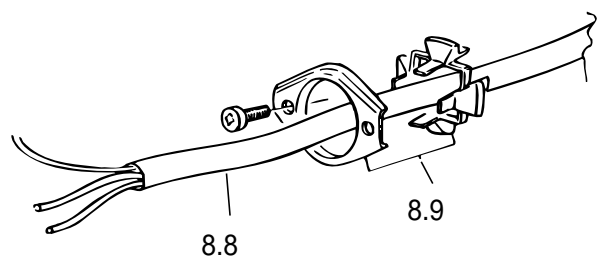
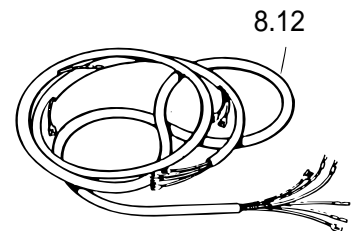
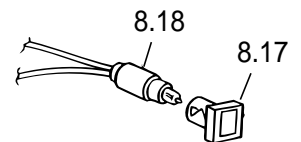
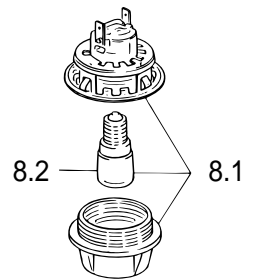
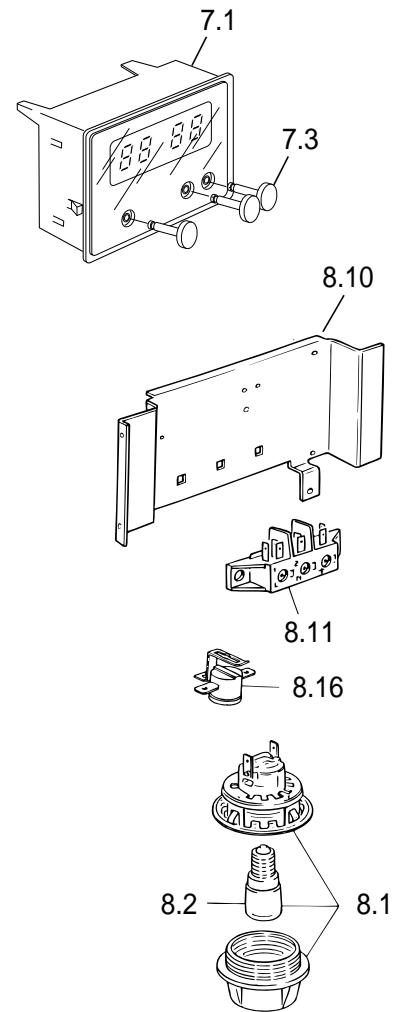
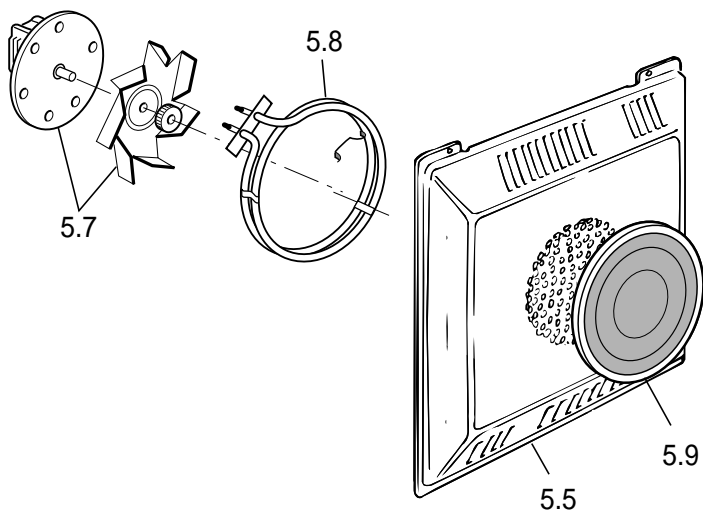
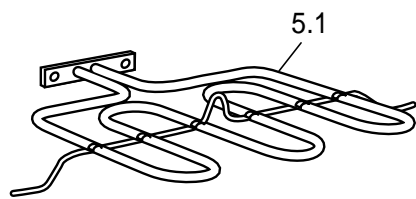
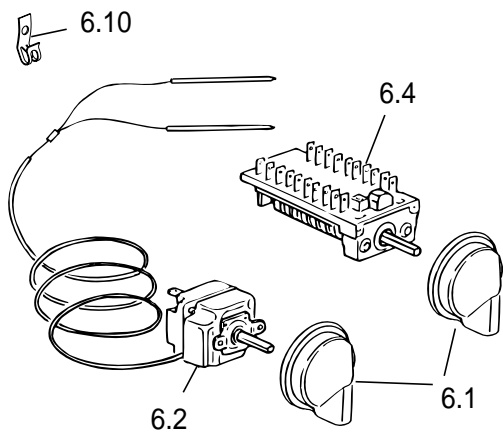
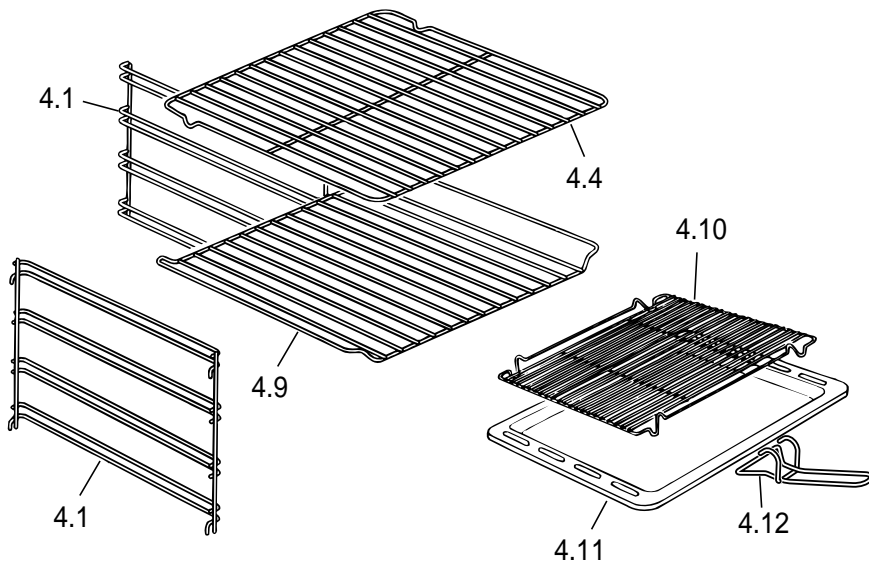
C 201F/B

FF70CP051N

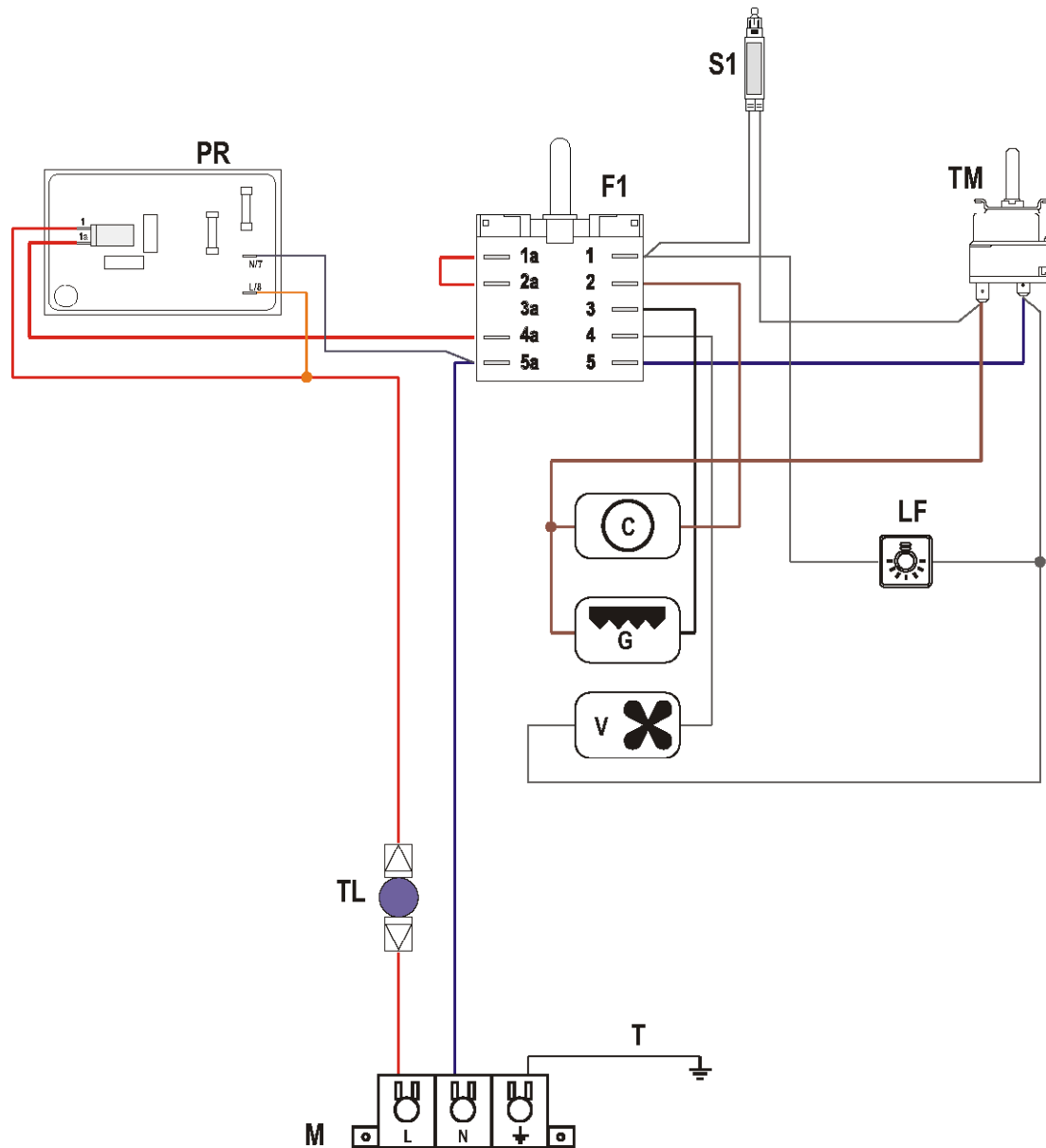
tav. 1
cat. 18.P1961



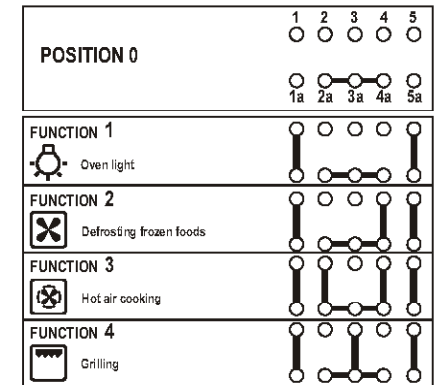
REF.	CODE	DESCRIPTION
1.1	0312107	Glass fascia panel
1.2	08309300M	Lower retainer trim
1.3	08318800M	Upper retainer trim
1.4	35MF70204	Interior control panel
1.7	040011	Glass spacer
2.1	08318400M	Trim surround
2.2	411F719	Right side panel
2.3	411F721	Left side panel
2.4	411F711	Control panel shelter
2.5	411F723	Upper shelter
2.6	030092.1	Oven insulation
2.7	030028	Rear insulation
2.8	411F718	Rear panel
2.9	4216003Z	Insulation cross-piece
2.10	411F706	Bottom panel
2.11	053039	Seal
2.13	4216002Z	Lower switch shelter
2.14	085019	Spacer
2.15	450F71EM12	Oven cube
3.1	0311728	Outer glass
3.2	08318600M	Lower retainer
3.3	037174100	Handle
3.4	08504200M	Oven sleeve
3.6	001184	Screw
3.7	373FF704K	Door skin
3.9	030057	Door insulation
3.10	063103	Hinge (male)
3.12	0311000.1T	Inner glass
3.13	103205	Inner glass washer
3.14	001214	Screw
3.15	053084	Glass seal
3.16	063025	Right hinge (female)
3.18	411F729	Insulation support
3.19	214021	Nut
3.20	003035	Washer
3.22	003041	Washer



REF.	CODE	DESCRIPTION
4.1	217291	Shelf support
4.4	217271	Wire shelf
4.9	217270.1	Wire shelf
4.10	217385	Grill-pan grid
4.11	48B5102K	Grill-pan
4.12	037144	Grill-pan grid handle
5.1	062053004	Grill element - 230 V
5.5	47AN601K	Fan diffuser
5.7	079008001F	Fan motor - 230 V
5.8	062057004	Fan element - 230 V
5.9	103085	Filter
6.1	218UC04200	Control knob (Brown)
6.4	050032	Switch
6.2	066072	Thermostat
6.10	213025	Clip
7.1	074055	Electronic programmer
7.3	103271021	Button (Brown)
8.1	072003	Lamp holder
8.2	073013001	Lamp
8.8	054041	Cord 3x1,5
8.9	052001	Wire fastener
8.10	094162	Terminal bracket
8.11	051038	Terminal block
8.12	1131275	Wiring
8.16	066073	Cut-off thermostat 130°
8.17	073030	Control lamp cover (Red)
8.18	073031	Control lamp L=200
-	1101785	Instruction booklet



Oven switch diagram



ELECTRIC DIAGRAM KEY

- F1 Oven switch
- TM Oven thermostat
- TL Thermal overload
- LF Oven lamp
- PR Electronic programmer
- G Grill element
- C Circular element
- V Fan
- S1 Thermostat pilot lamp
- M Terminal block
- T Earth connection



C201F/B

Caple Deluxe Fan Oven Brown