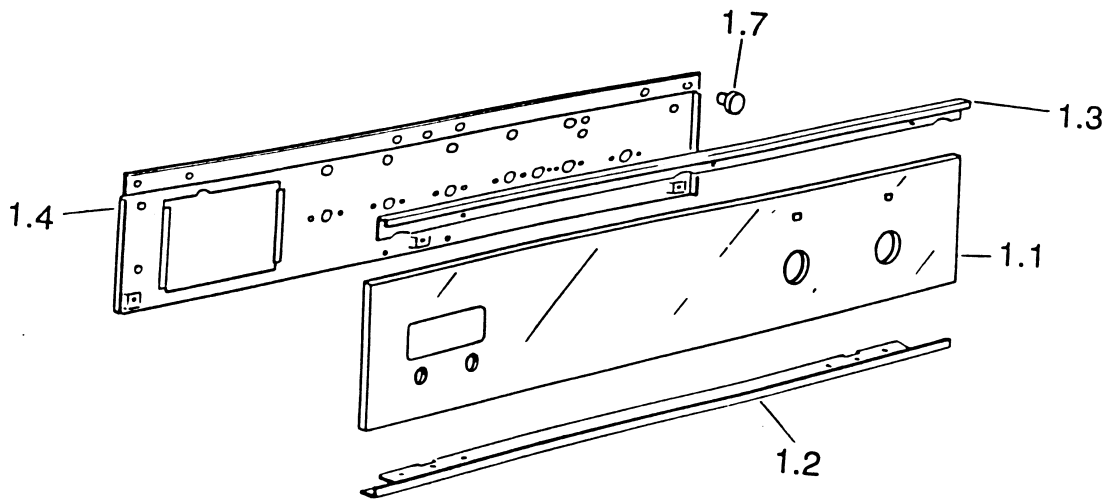




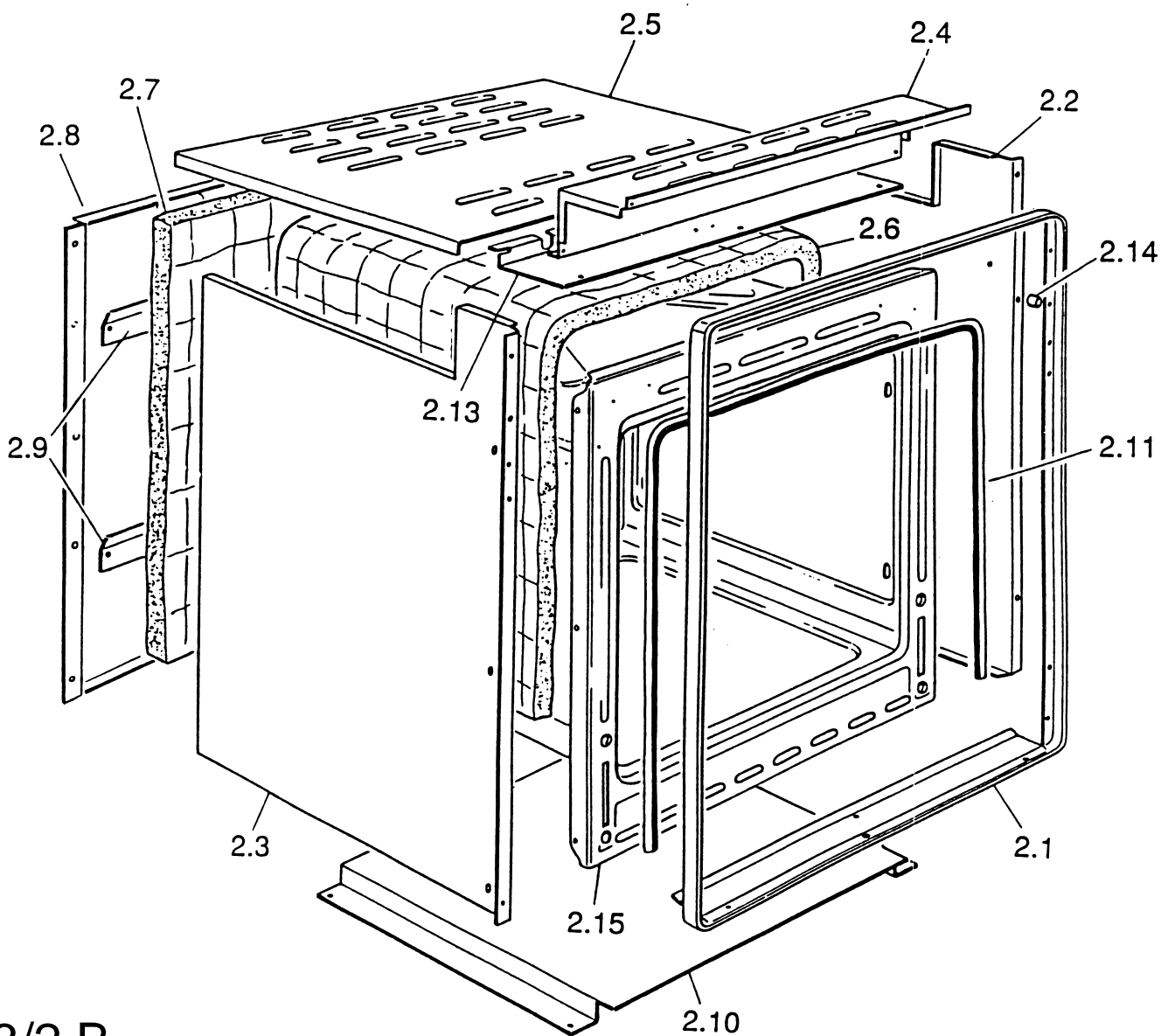
C200F/GRN

Caple Deluxe Fan Oven Green

TECHNICAL INFORMATION



3/1.AG



3/2.B

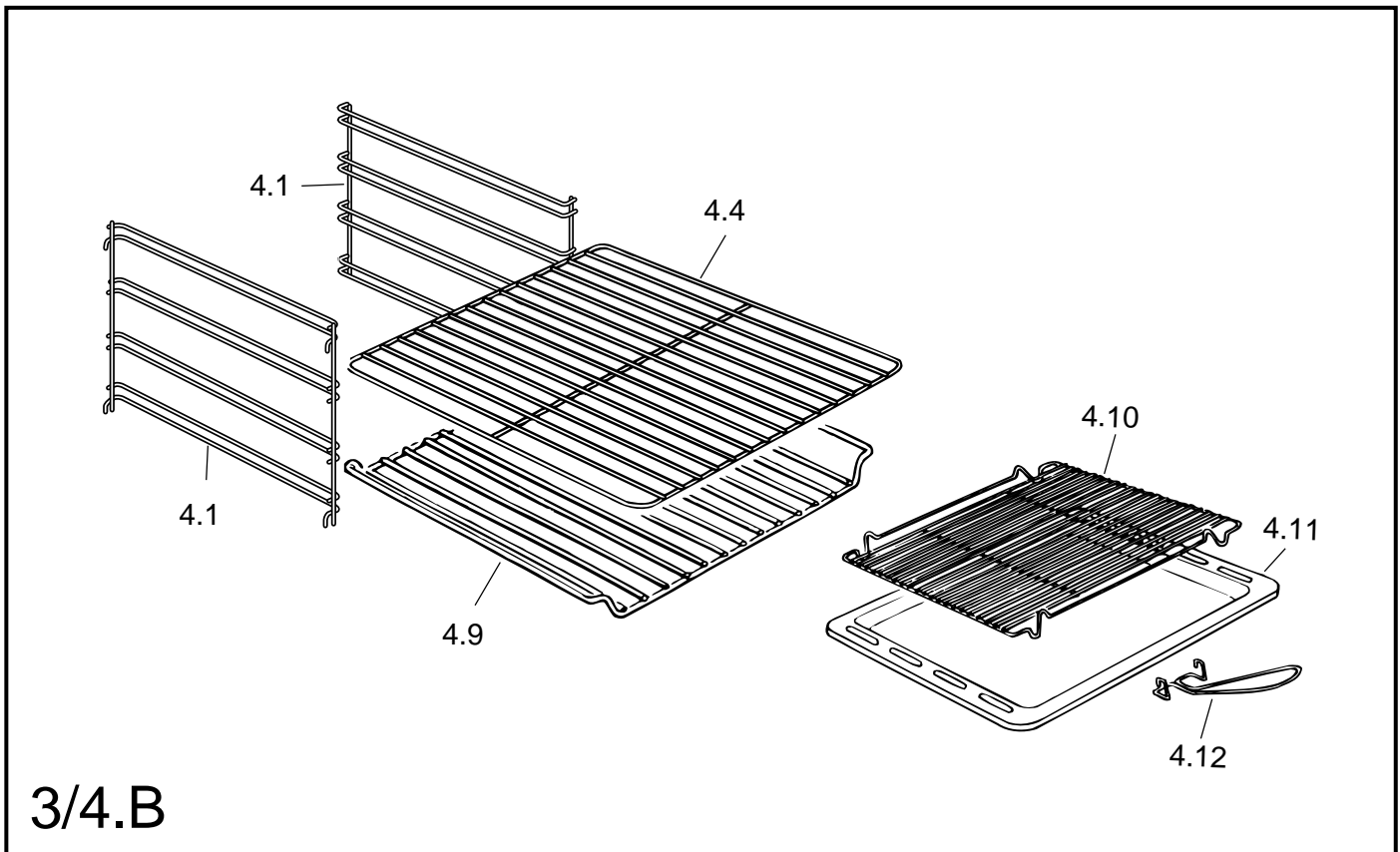
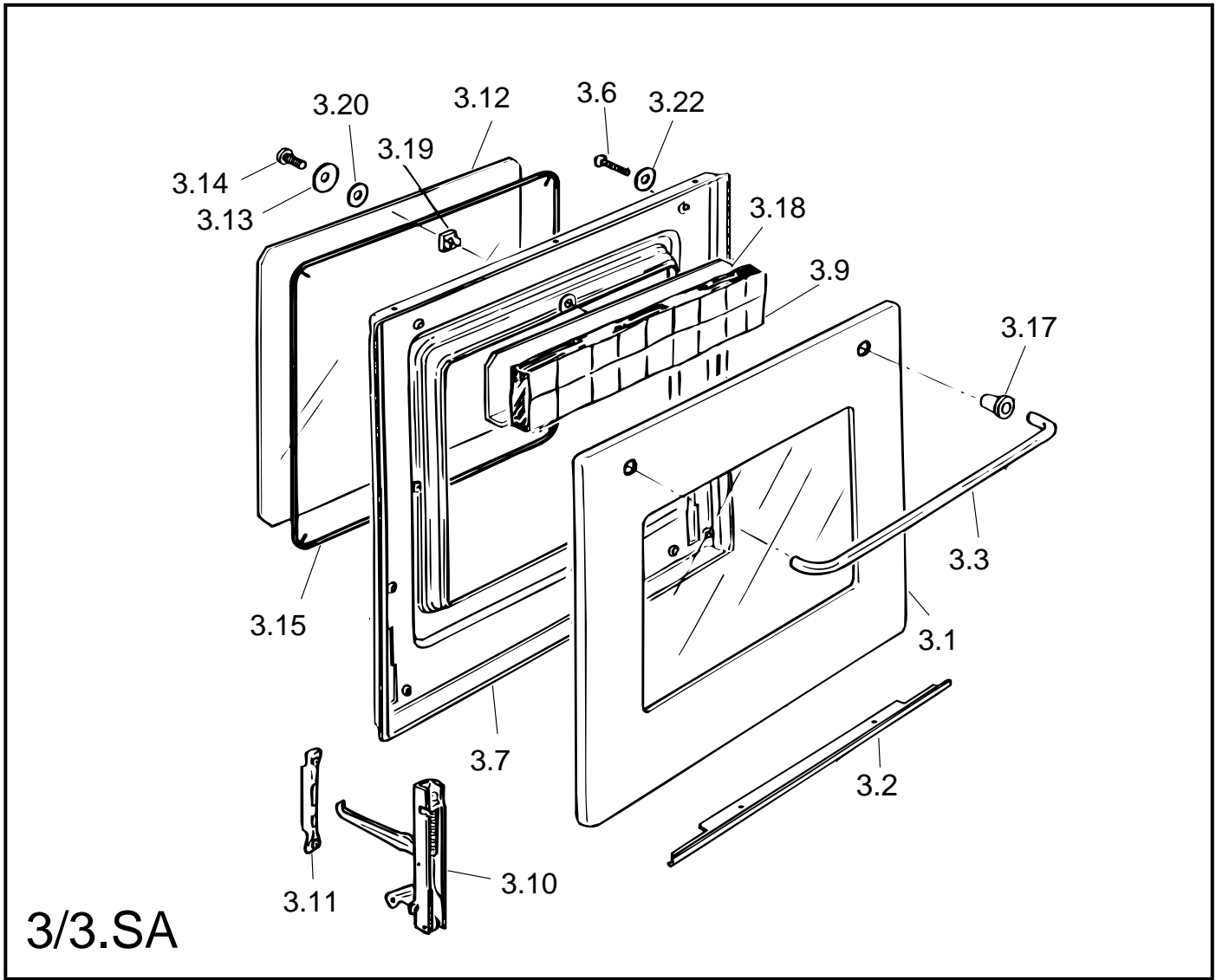
CONTROL PANEL AND BODY

Ref. Table: 3/1.AG

<u>REF.</u>	<u>CODE</u>	<u>DESCRIPTION</u>
1.1	0311488	Glass fascia panel
1.2	083093007	Lower retainer trim
1.3	083188007	Upper retainer trim
1.4	35MF70203	Interior control panel
1.7	040011	Glass spacer

Ref. Table: 3/2.B

<u>REF.</u>	<u>CODE</u>	<u>DESCRIPTION</u>
2.1	083184007	Trim surround
2.2	411F719	Right side panel
2.3	411F721	Left side panel
2.4	411F711	Control panel shelter
2.5	411F723	Upper shelter
2.6	030092.1	Oven insulation
2.7	030028	Rear insulation
2.8	411F718	Rear panel
2.9	4216003Z	Insulation cross-piece
2.10	411F706	Bottom panel
2.11	053039	Seal
2.13	4216002Z	Lower switch shelter
2.14	085019	Spacer
2.15	450F71EM12	Oven cube



OVEN DOOR

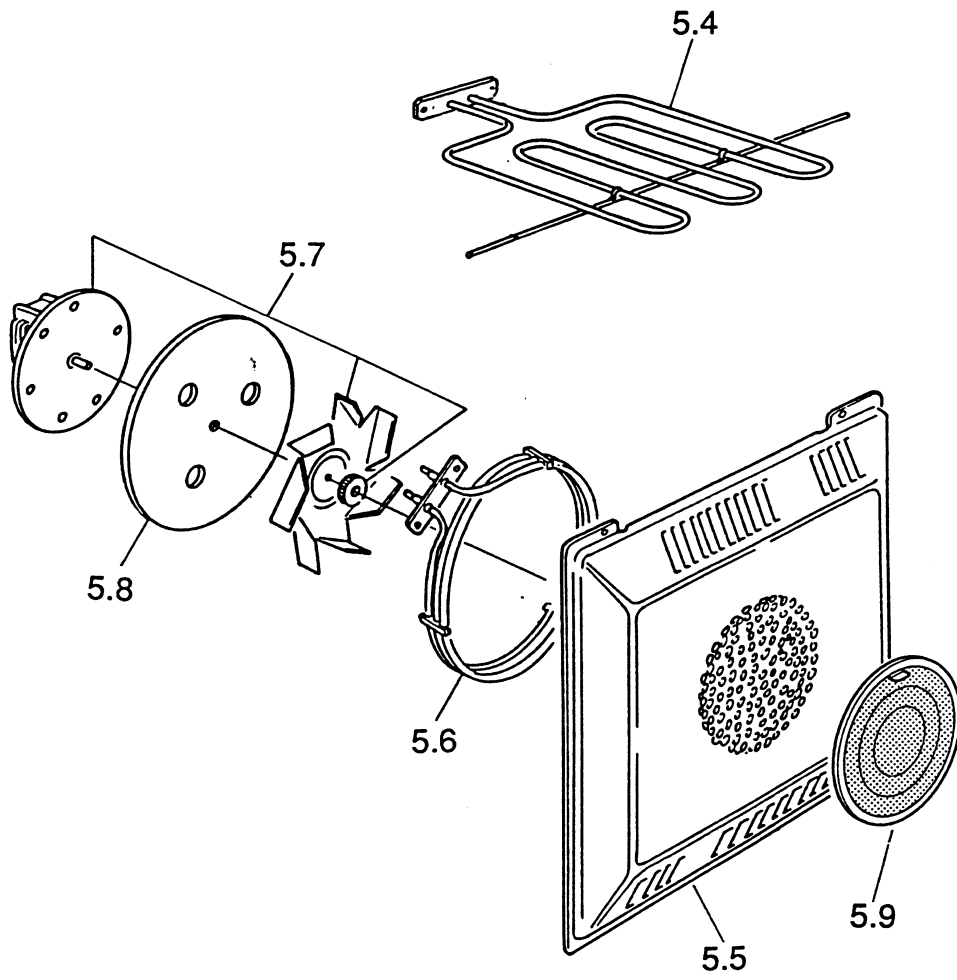
Ref. Table: 3/3.SA

<u>REF.</u>	<u>CODE</u>	<u>DESCRIPTION</u>
3.1	0311428	Outer glass
3.2	083186007	Lower retainer trim
3.6	001108	Screw
3.7	373FF704K	Door skin
3.9	030057	Door insulation
3.10	063053	Hinge (male)
3.11	063025	Hinge (female)
3.12	0311000.1T	Inner glass
3.13	103205	Inner glass washer
3.14	001024	Screw
3.15	053084	Glass seal
3.16	037128080	Handle
3.17	085028080	Sleeve
3.18	411F729	Insulation support
3.19	214021	Nut with clips
3.20	003035	Silicone washer
3.22	003041	Washer

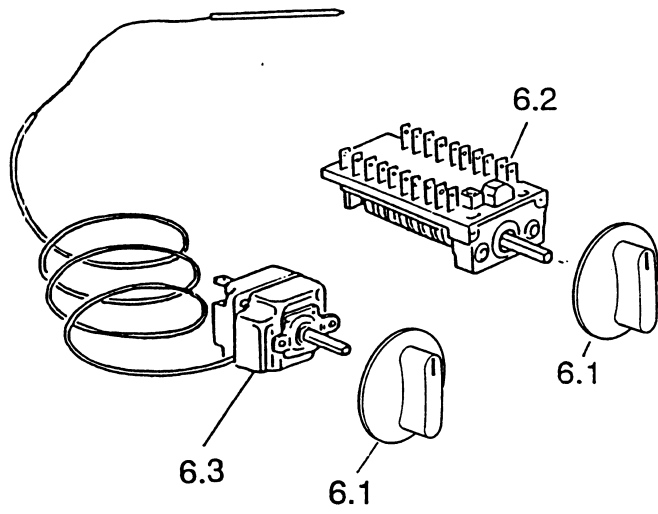
OVEN EQUIPMENT

Ref. Table: 3/4.B

<u>REF.</u>	<u>CODE</u>	<u>DESCRIPTION</u>
4.1	217291	Shelf support
4.4	217270.1	Wire shelf
4.9	217271	Wire shelf
4.10	217385	Grill-pan grid
4.11	48B5102K	Grill-pan
4.12	037144	Grill-pan grid handle



3/5.BB



3/6.CF

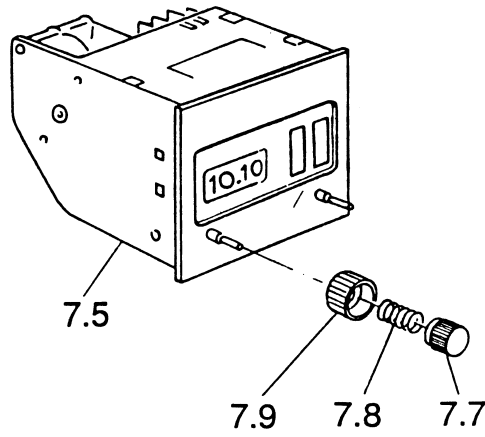
FAN OVENS

Ref. Table: 3/5.BB

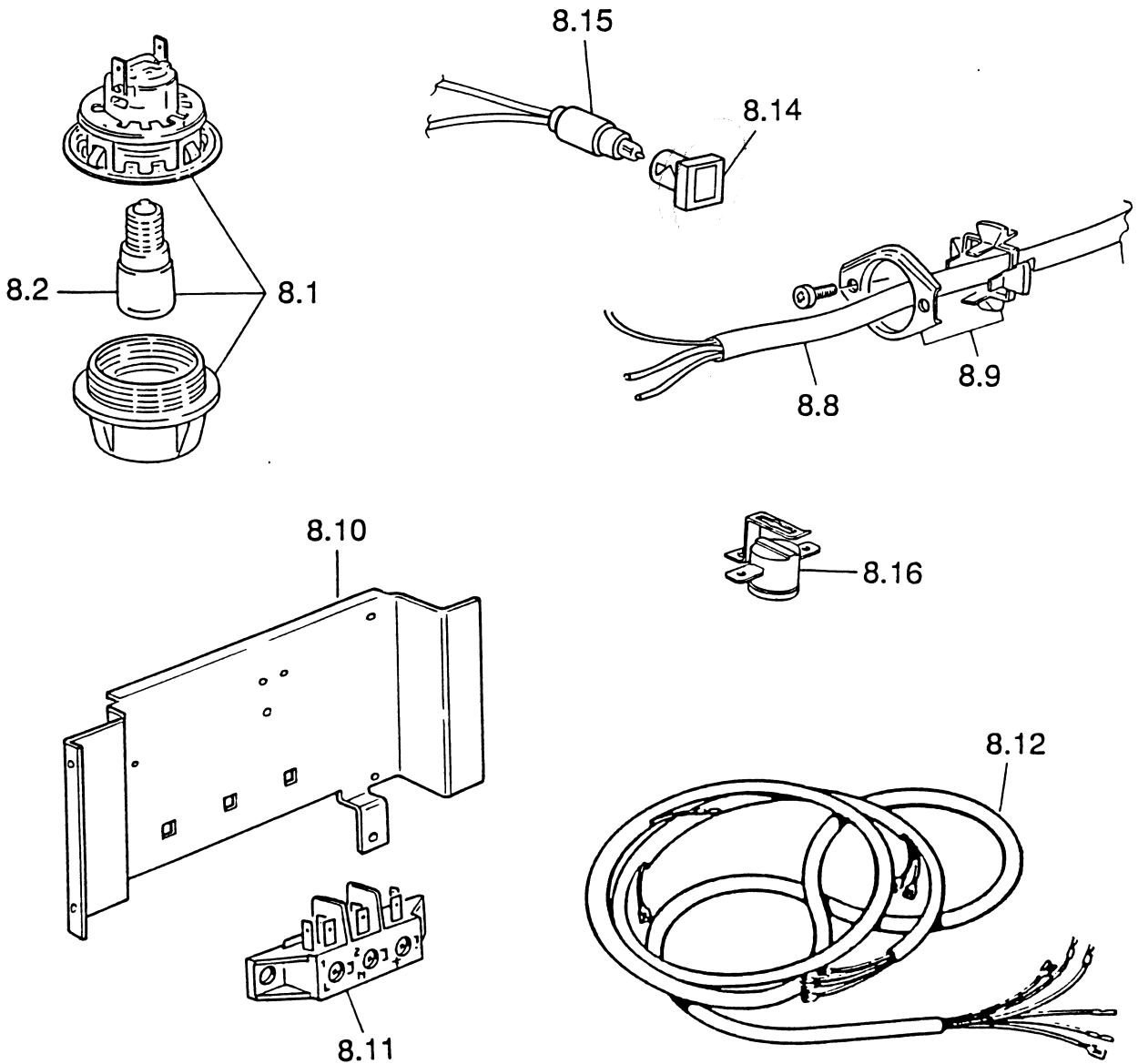
<u>REF.</u>	<u>CODE</u>	<u>DESCRIPTION</u>
5.4	062053004	Grill element - 230 V
5.5	47AN601K	Fan diffuser
5.6	062057004	Fan element - 230 V
5.7	079008001F	Fan motor - 230 V
5.8	039036	Fan motor insulation
5.9	103085	Filter

Ref. Table: 3/6.CF

<u>REF.</u>	<u>CODE</u>	<u>DESCRIPTION</u>
6.1	218P002102	Control knob
6.2	050032	Switch
6.3	066072	Thermostat



3/7.C



3/8.BE

ELECTRIC PROGRAMMER

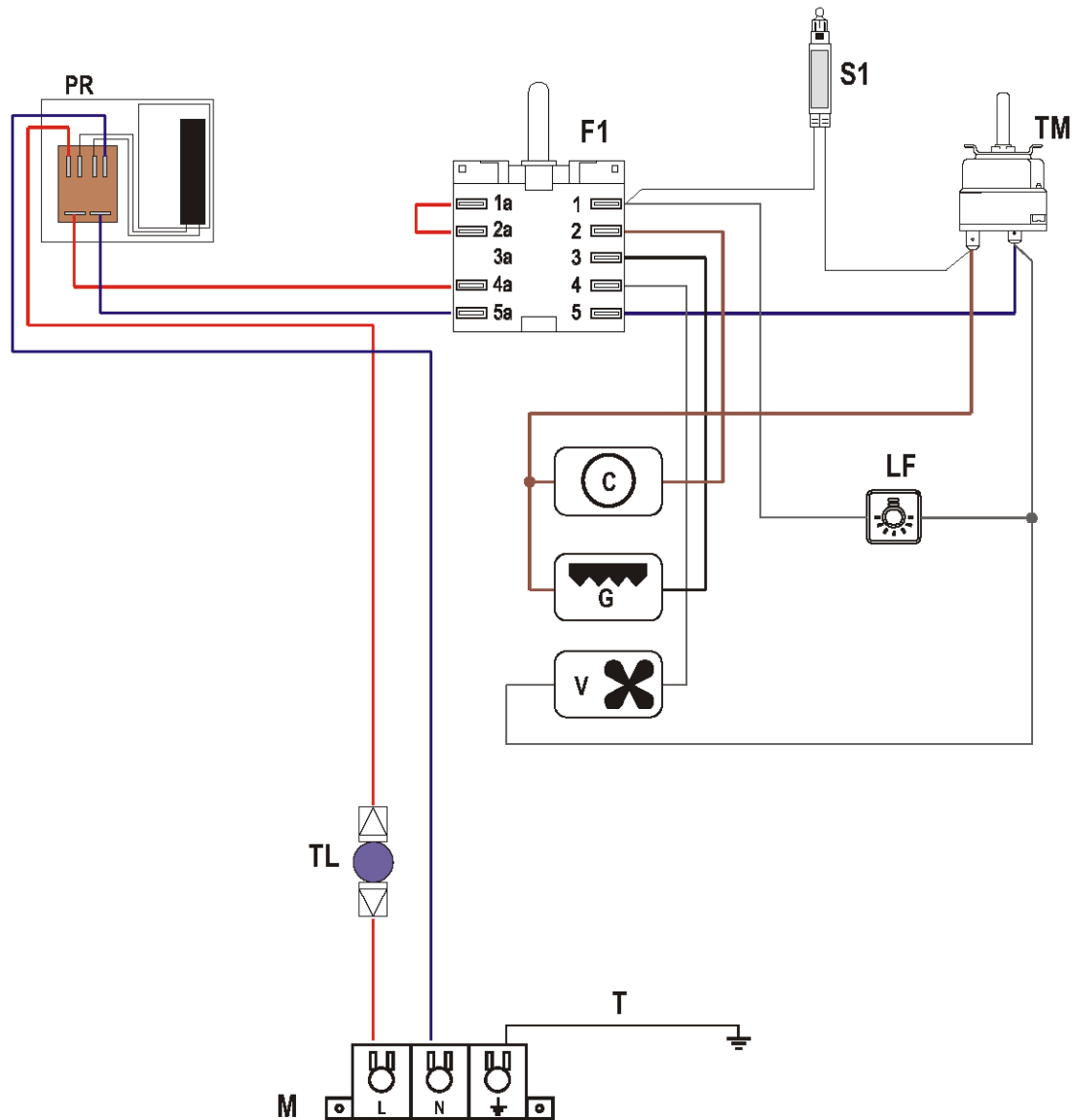
Ref. Table: 3/7.C

<u>REF.</u>	<u>CODE</u>	<u>DESCRIPTION</u>
7.5	074013	Electric programmer
7.7	2180002094	Programmer knob
7.8	035025	Knob spring
7.9	103076002	Knob ring

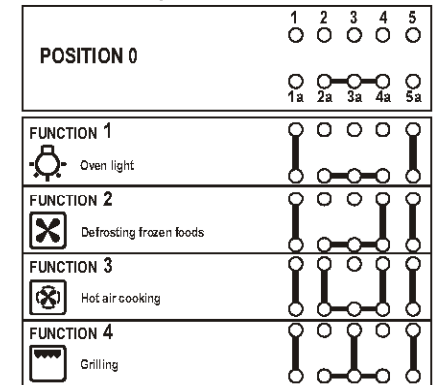
ELECTRICAL EQUIPMENT

Ref. Table: 3/8.BE

<u>REF.</u>	<u>CODE</u>	<u>DESCRIPTION</u>
8.1	072003	Lamp holder
8.2	072013001	Lamp
8.8	054041	Cord
8.9	052001	Wire fastener
8.10	094162	Terminal bracket
8.11	051038	Terminal block
8.12	113472	Wiring
8.14	073030	Control lamp cover (Red)
8.15	073031	Control lamp (rectangular) L200
8.16	066057	Cut-off thermostat
—	110795	Instruction booklet



Oven switch diagram



ELECTRIC DIAGRAM KEY

- F1 Oven switch
- TM Oven thermostat
- TL Thermal overload
- LF Oven lamp
- PR Oven programmer
- G Grill element
- C Circular element
- V Fan
- S1 Thermostat pilot lamp
- M Terminal block
- T Earth connection



C200F/GRN

Capele Deluxe Fan Oven Green