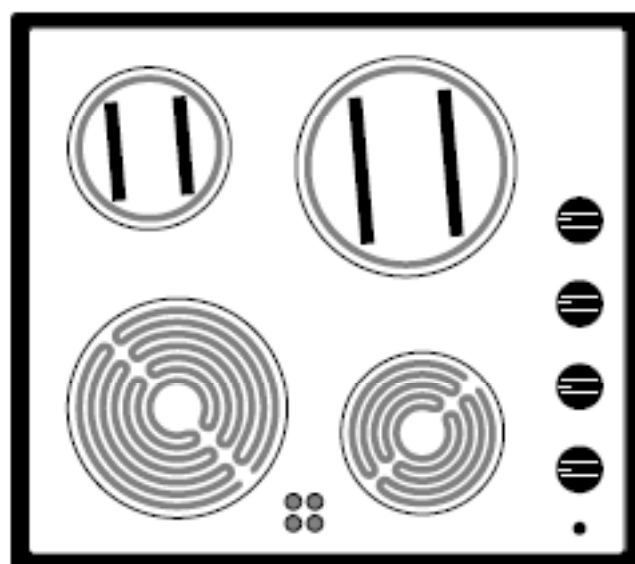




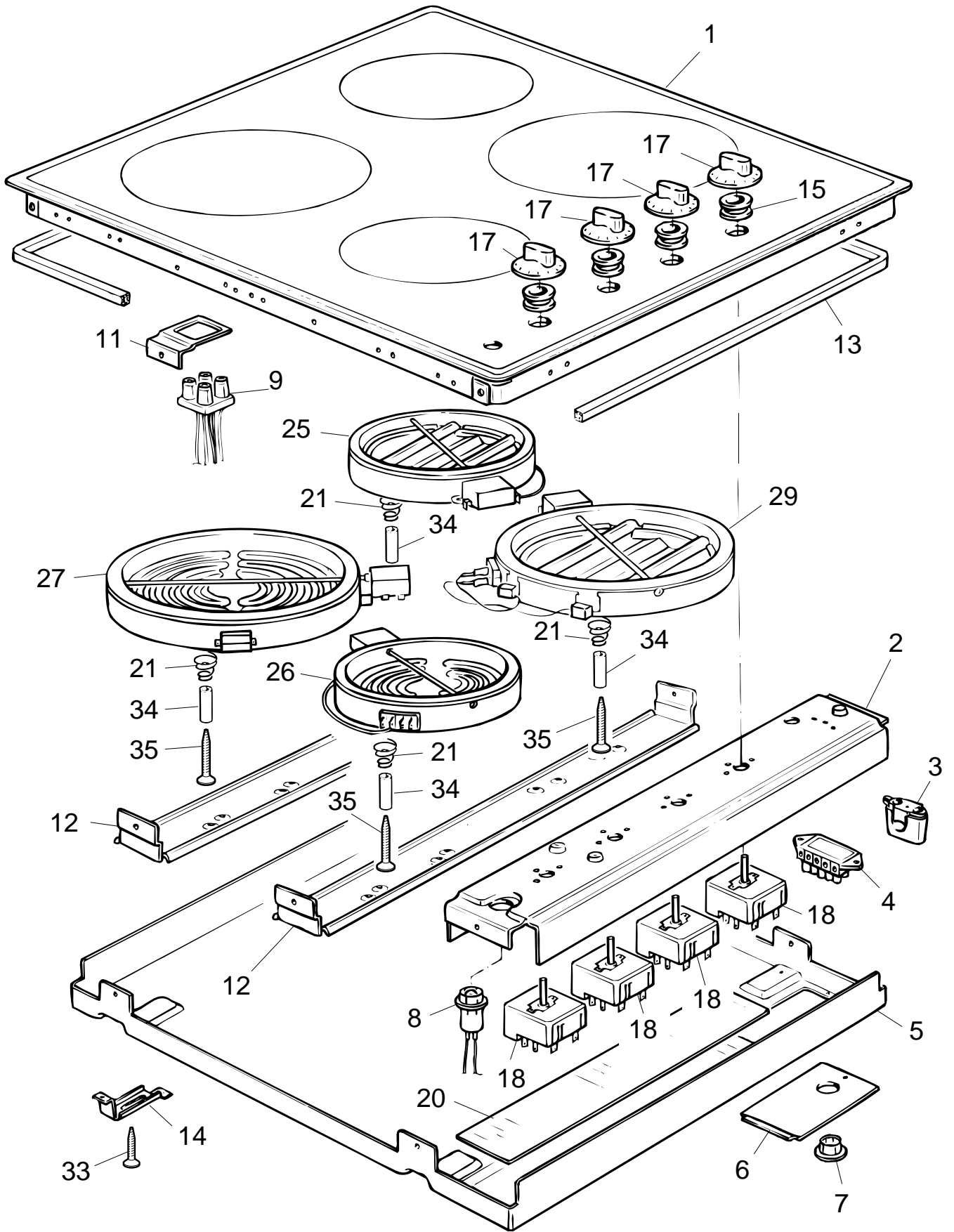
C901H/B

Caple Halogen 2+2 Hob Brown



TECHNICAL INFORMATION

Mod.: "C 901 H/B, C 901 H/W"

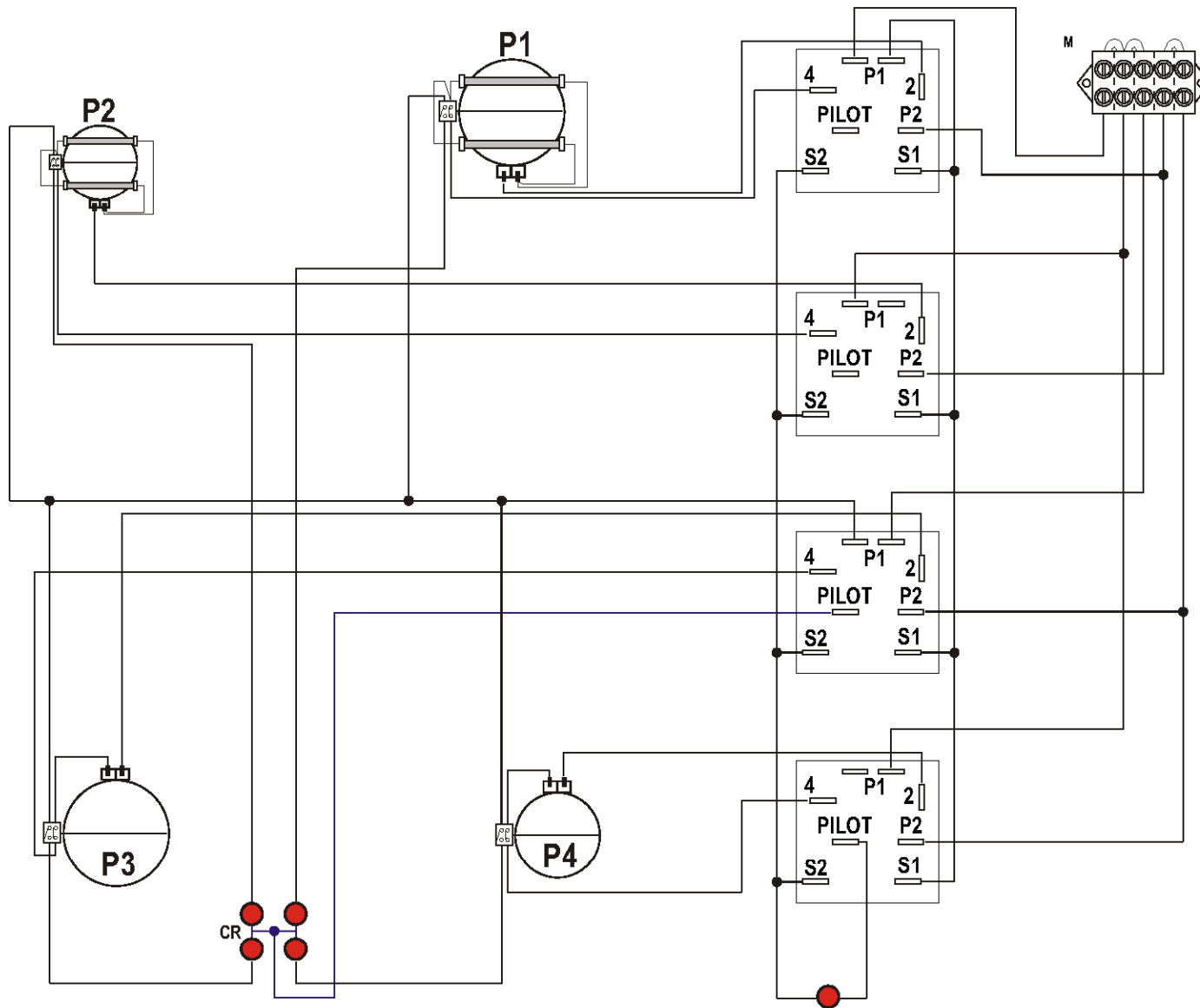


3/1.B

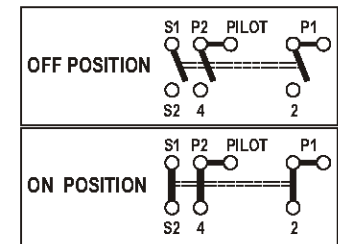
VITROCERAMIC HOBS

Mod.: "C 901 H/B, C 901 H/W"

<u>REF.</u>	<u>CODE</u>	<u>DESCRIPTION</u>	
1	355VC40	Glass with frame - Mod. C 901 C/W	
=	355VC41	Glass with frame - Mod. C 901 C/B	
2	51BCV01	Control support	
3	052006	Wire fastener	
4	051025	Terminal block	
5	411VC01	Casing	
6	51BVC03	Shield	
7	052007	Wire ring	
8	073026	Control lamp	
9	073027	Control lamp	
11	094112	Control lamp support	
12	51BVC02	Hotplates support	
13	053042	Seal	
14	094117	Bracket	
15	040027	Rubber ring	
17	218X623075	Energy regulator knob (White)	
=	218X625075	Energy regulator knob (Brown)	
18	050019004	Energy regulator	
21	035075	Spring	
25	04712230	Halogen hotplate Ø 145 - 230V	
26	04711230	Radiant hotplate Ø 145 - 230V	
27	04717240	Radiant hotplate Ø 195 - 230V	
29	04715230	Halogen hotplate Ø 180 230V	
33	001053	Screw	
34	085043	Sleeve	
35	001111	Screw	
–	110928	Instruction booklet	113672 Wiring



Al ogen plate switch diagram



ELECTRIC DIAGRAM KEY

- F1F4 Vetroceramic plate regulators
- P1 Halogen heater 1800W-AL-230V
- P2 Halogen heater 1200W-AL-230V
- P3 Radiant heater 2000W-1C-230V
- P4 Radiant heater 1200W-1C-230V
- S Pilot lamp
- M Terminal block
- GS Residual heat lamps



C901H/B

Caple Halogen 2+2 Hob Brown