



C736G/SS

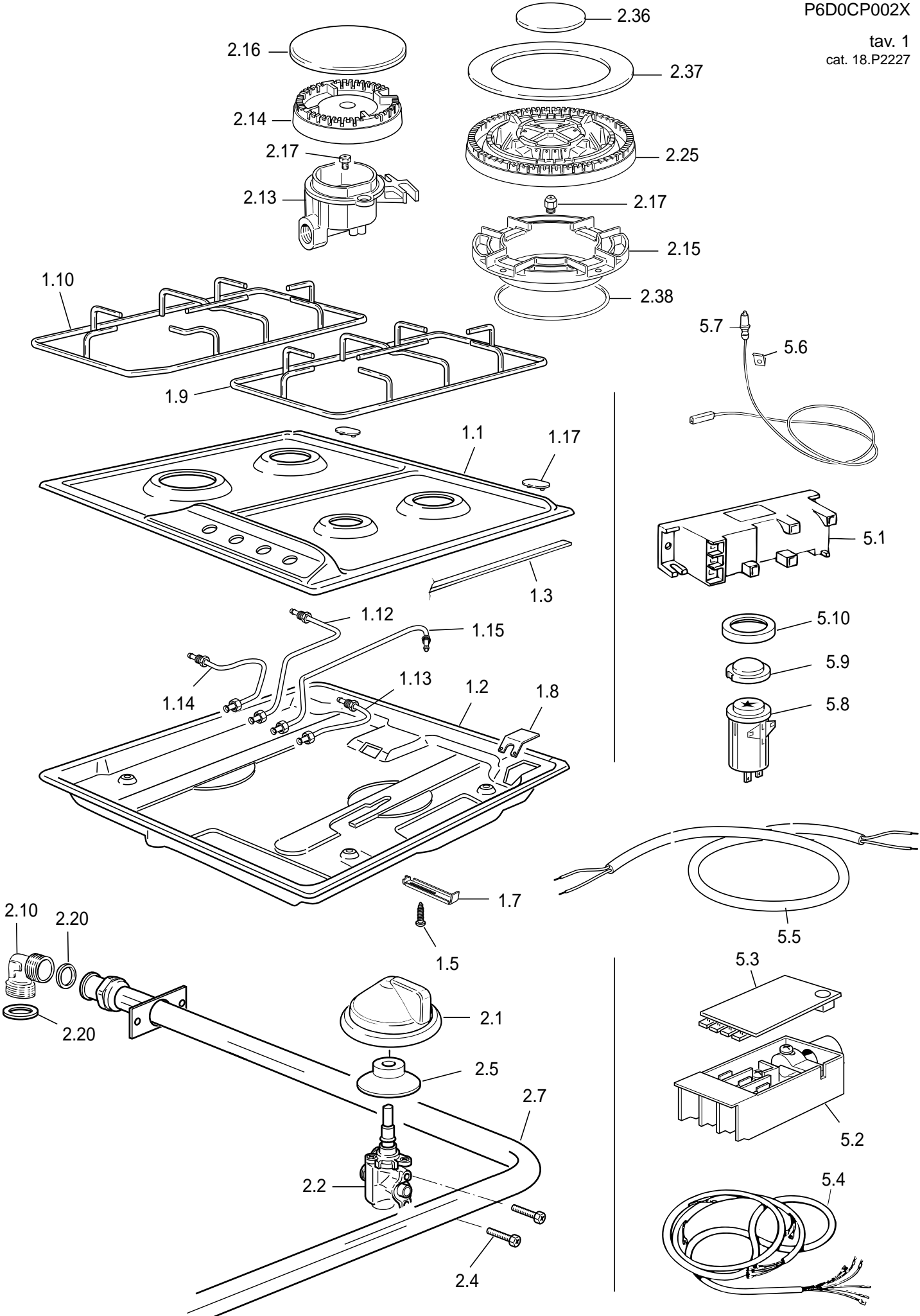
Caple Front Control Gas Hob

TECHNICAL INFORMATION

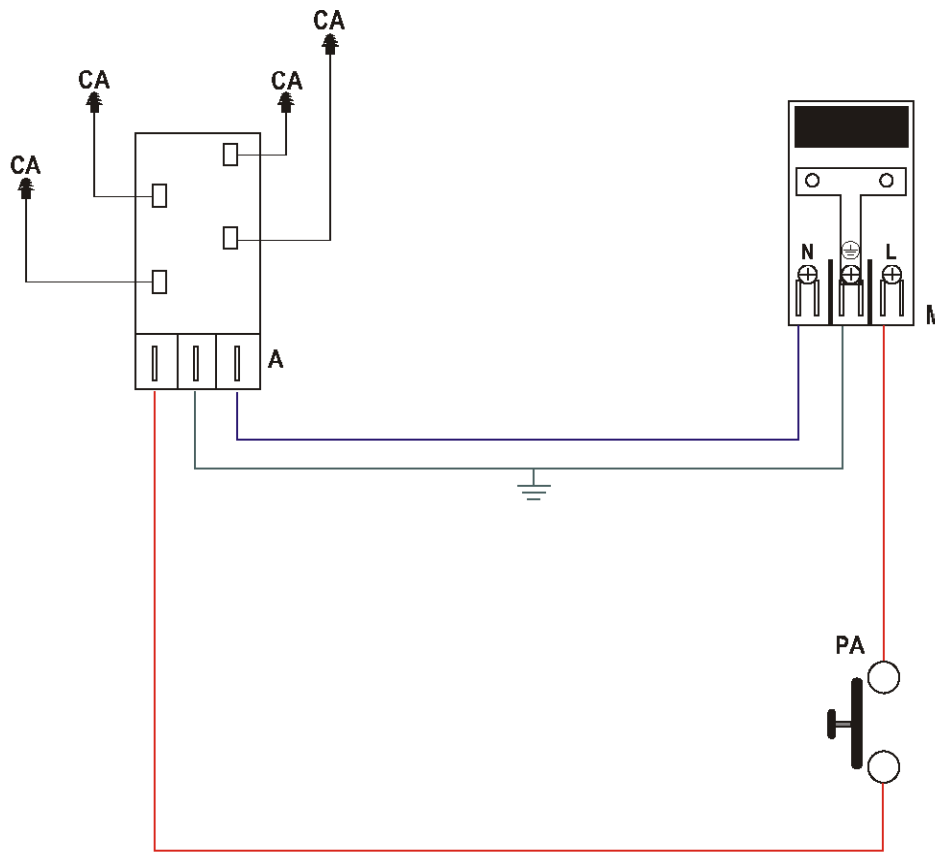
C 736 G/SS

P6D0CP002X

tav. 1
cat. 18.P2227



REF.	CODE	DESCRIPTION
1.1	336D40ASCP	Hob top
1.2	4116D02	Burner casing
1.3	053037	Seal
1.5	001221	Screw
1.7	094338	Fixing bracket
1.8	094337	Inlet pipe fixing bracket
1.9	217479080	Right top grate
1.10	217480080	Left top grate
1.12	029526	Left SR burner pipe
1.13	029525	A burner pipe
1.14	029543	TR burner pipe
1.15	029527	Right SR burner pipe
1.17	103481002	Plug
2.1	218PS02204	Knob (Black)
2.2	106207/G25	Tap - Ø 0.27
=	106208/G25	Tap - Ø 0.34
=	106221/G25	Tap - Ø 0.65
2.4	001090	Screw
2.5	040053	Rubber pad
2.7	3426D40G02	4 gas inlet pipe
2.10	067016	Elbow
2.13	215465	Burner-cup A
=	215466	Burner-cup SR
2.14	068108001	Burner-head A
=	068104001	Burner-head SR
2.15	215469	Burner-cup TR
2.16	216129080	Burner-cap A (Black)
=	216130080	Burner-cap SR (Black)
2.17	101234	Injector Ø 0.72 - G20 - A
=	101235	Injector Ø 0.97 - G20 - SR
=	101243	Injector Ø 1.24 - G20 - TR
2.20	053024.1	Elbow gasket
2.25	068107	Burner-head TR (3,3 KW)
2.36	216132080	Burner-cap inside TR (Black)
2.37	216133080	Burner-cap outside TR (Black)
2.38	053078	Burner-cup gasket
5.1	082051.1	Electronic ignition
5.2	051054	Terminal block
5.3	103451	Terminal block cover
5.4	1131043	Wiring
5.5	054078	Cord 3x0,75
5.6	035094	Igniter spring
5.7	084028	Spark plug - 250 mm
=	084029	Spark plug - 630 mm
=	084032	Spark plug - 250 mm
5.8	077077002	Electronic ignition push-button (Black)
5.9	103452	Electronic ignition push-button cap
510	103453002	Electronic ignition push-button ring (Black)
-	1101596	Instruction booklet
	6106D40006	LPG gas conversion kit



ELECTRIC DIAGRAM KEY

- PA Ignition switch
- A Ignition coil
- CA Spark plug
- T Earth connection
- M Terminal block

 **caple**

C736G/SS

Caple Front Control Gas Hob