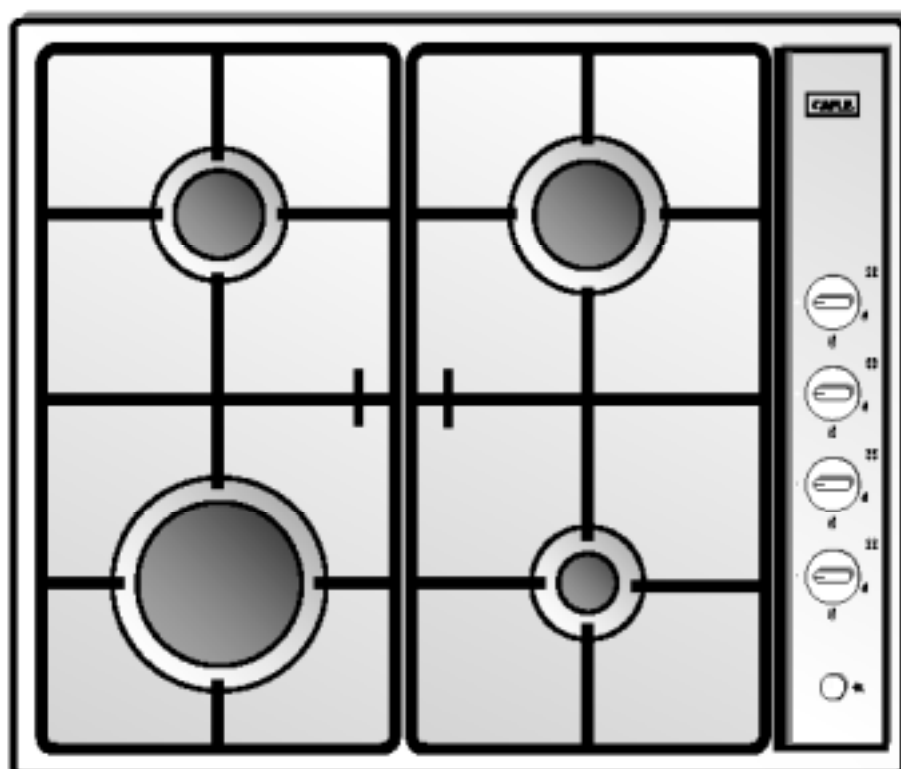


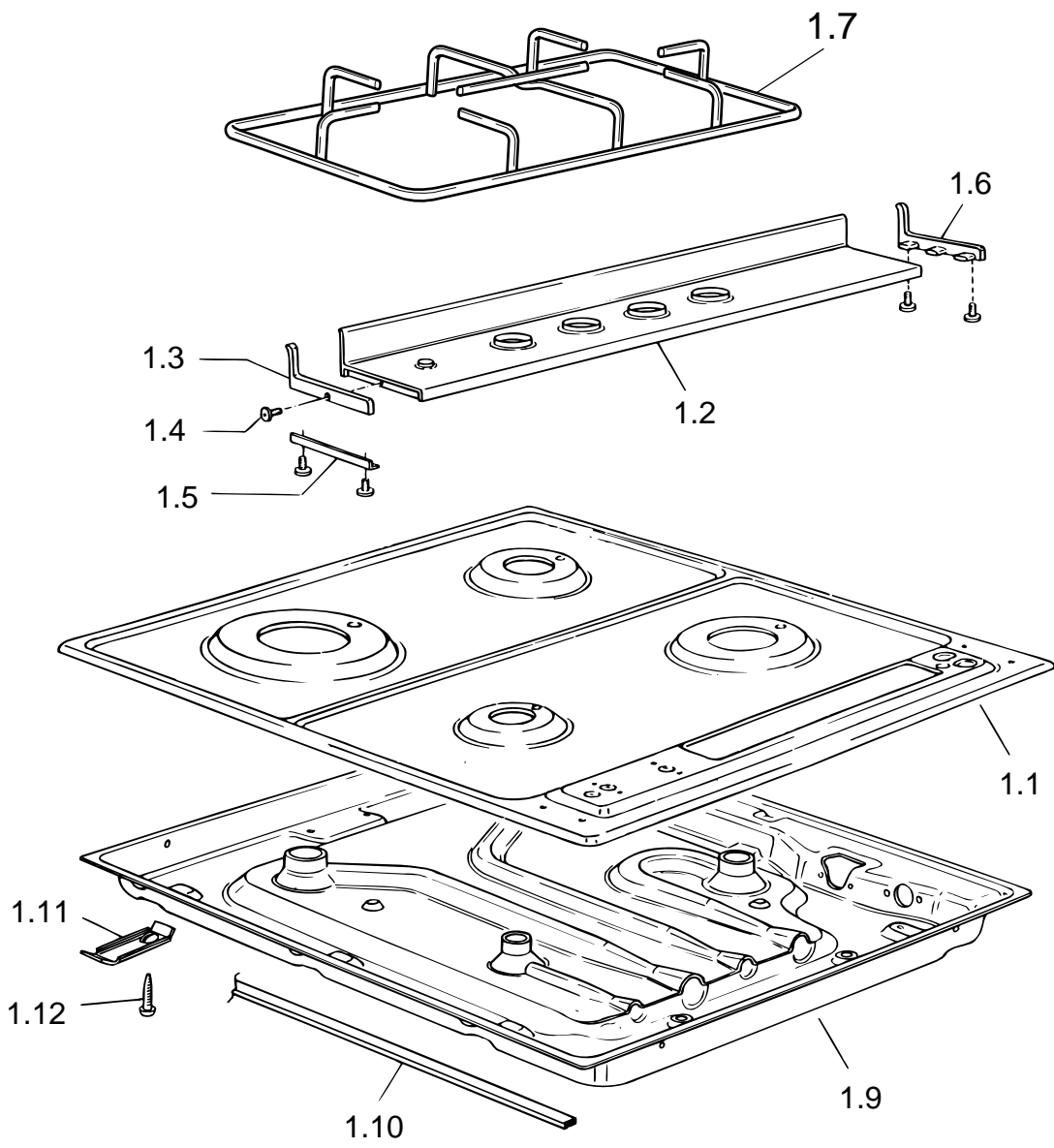


C700G/B

Caple Gas Hob Brown



TECHNICAL INFORMATION

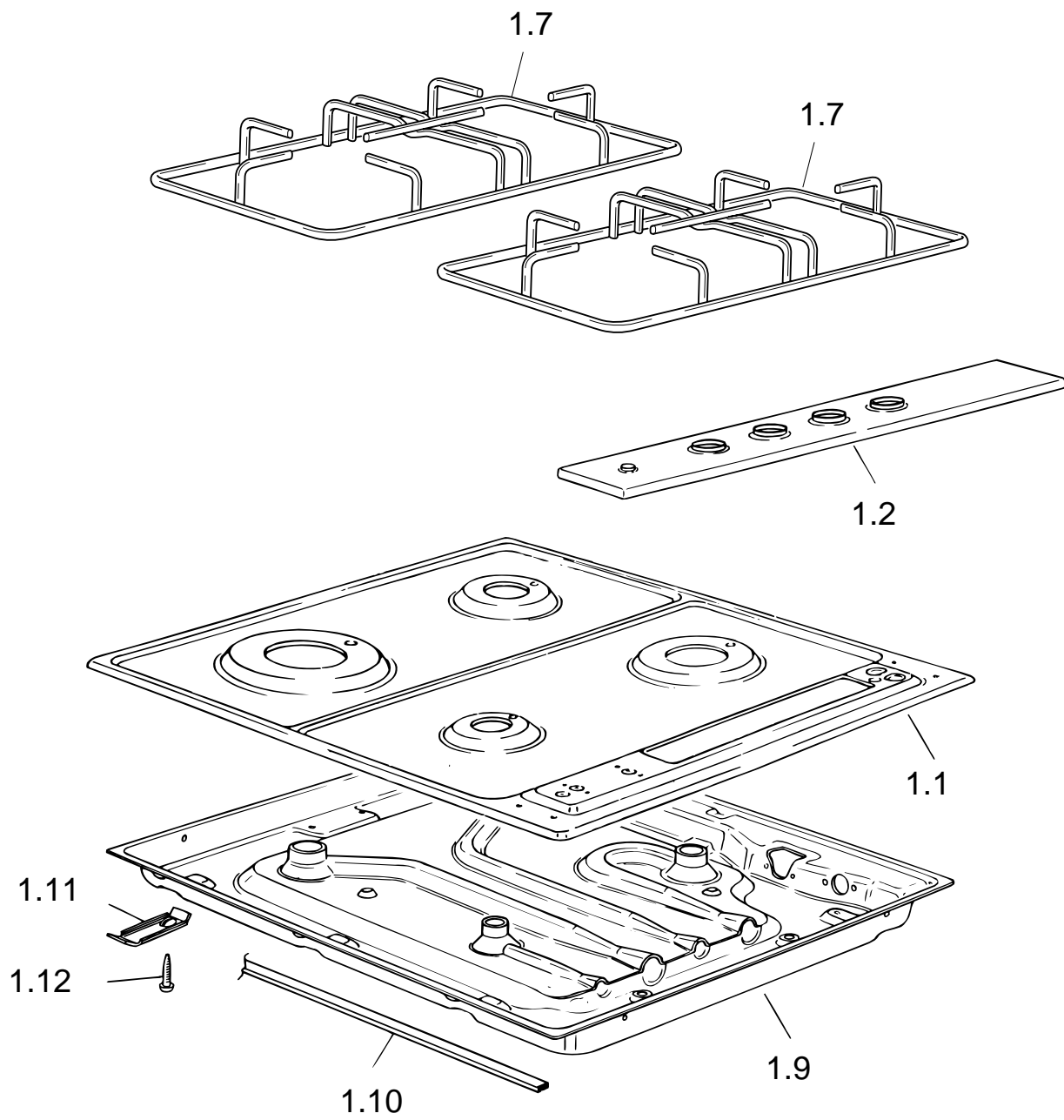


2/1.AZ

“4 GAS” HOBS
Mod.: “C700G/W, C700G/B”

Ref. Table: 2/1.AZ

| <u>REF.</u> | <u>CODE</u> | <u>DESCRIPTION</u> |
|-------------|-------------|--|
| 1.1 | 331634011 | Hob top (White) - Mod. C700G/W |
| = | 33163401B | Hob top (Moka) - Mod. C700G/B |
| 1.2 | 0752016 | Control panel - Mod. C700G/W |
| = | 0752015 | Control panel - Mod. C700G/B |
| 1.3 | 069021035 | Front control panel bracket - Mod. C700G/W |
| = | 069021021 | Front control panel bracket - Mod. C700G/B |
| 1.4 | 001059 | Screw - Mod. C700G/W |
| = | 001062 | Screw - Mod. C700G/B |
| 1.5 | 094081 | Fixing plate |
| 1.6 | 069020035 | Rear control panel bracket - Mod. C700G/W |
| = | 069020021 | Rear control panel bracket - Mod. C700G/B |
| 1.7 | 217277 | Top grate |
| 1.9 | 4106311 | Burner casing |
| 1.10 | 053026 | Seal |
| 1.11 | 094154 | Fixing bracket |
| 1.12 | 001130 | Screw |
| – | 110797.1 | Instruction booklet |

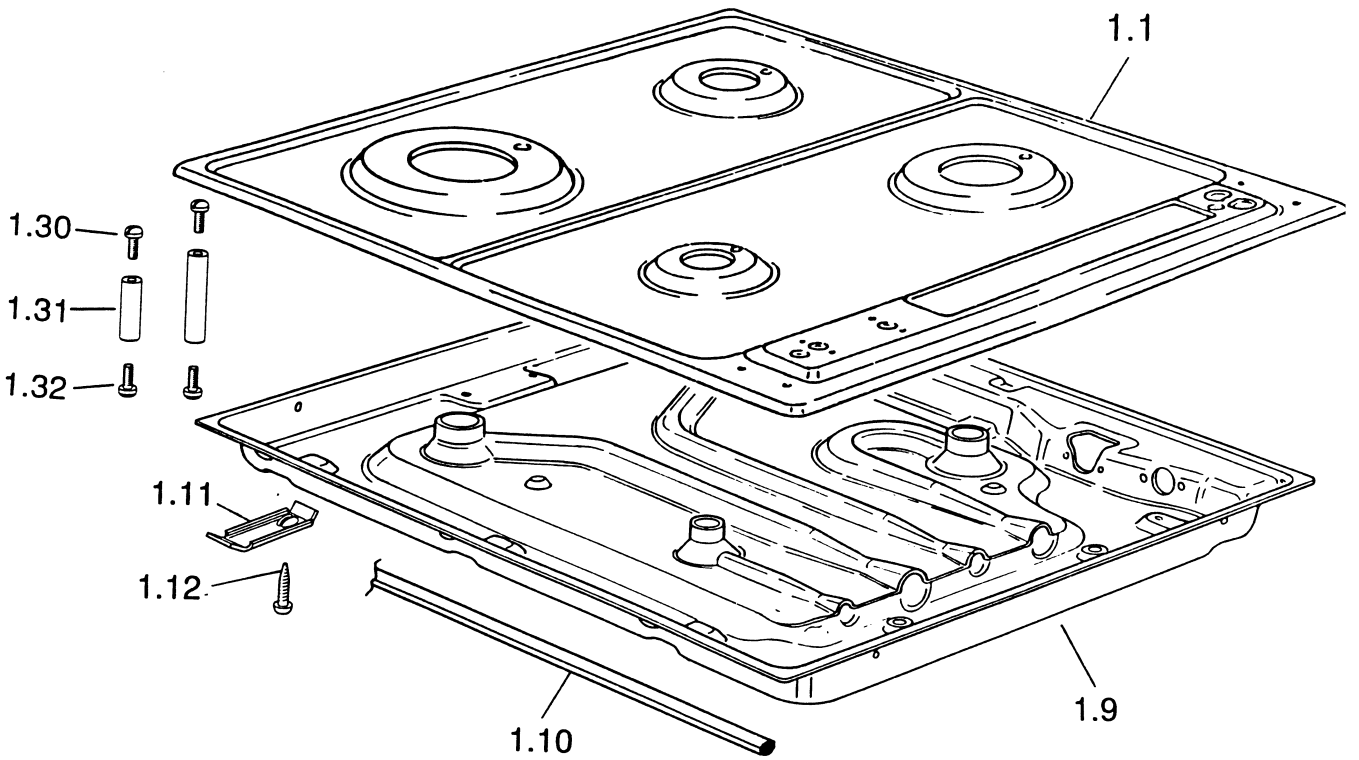
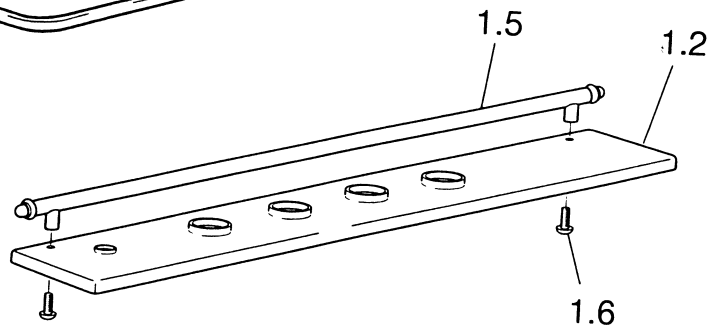
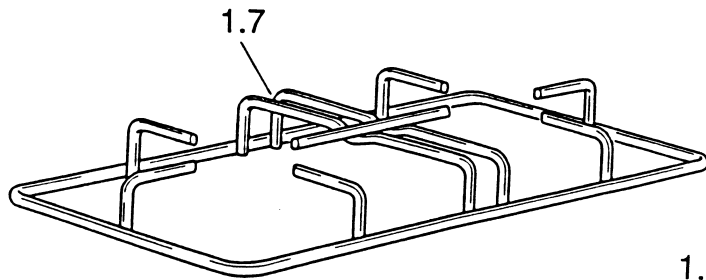


2/1.BA

“4 GAS” HOB
Mod.: “C700G/GRN”

Ref. Table: 2/1.BA

| <u>REF.</u> | <u>CODE</u> | <u>DESCRIPTION</u> |
|-------------|-------------|---------------------|
| 1.1 | 331634017 | Hob top |
| 1.2 | 35P18807CP | Control panel |
| 1.7 | 217277 | Top grate |
| 1.9 | 4106311 | Burner casing |
| 1.10 | 053026 | Seal |
| 1.11 | 094154 | Fixing bracket |
| 1.12 | 001130 | Screw |
| – | 110797.1 | Instruction booklet |



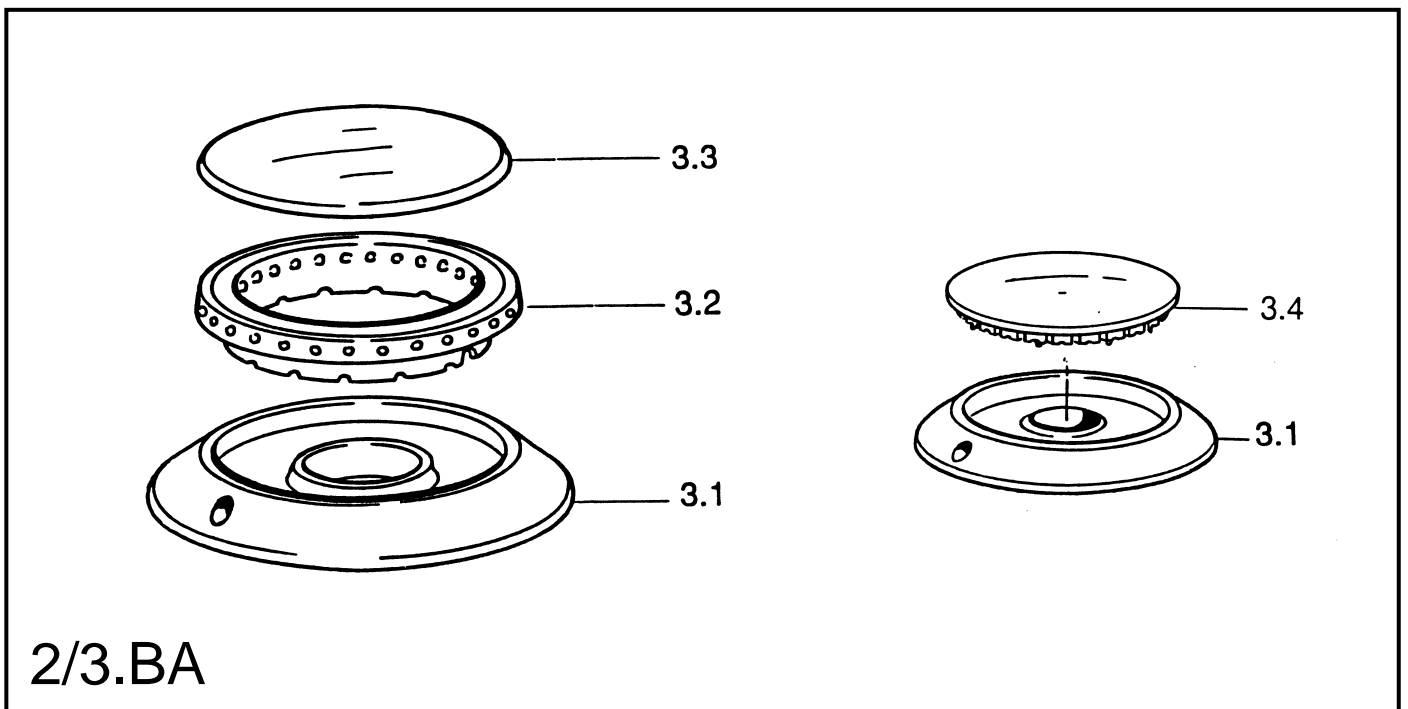
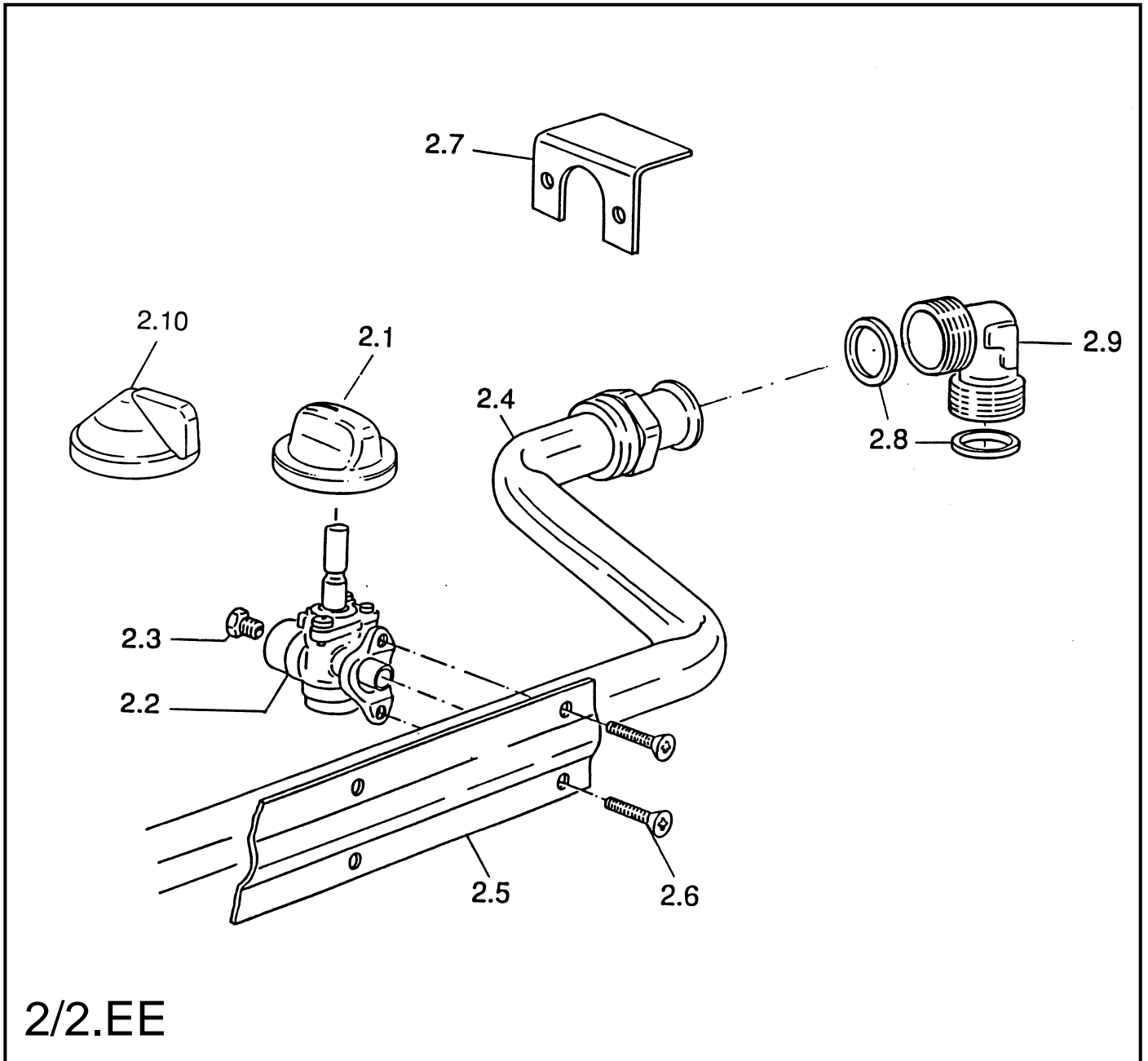
2/1.BC

"4 GAS" HOBS

Mod.: "C700G/SS, C710G/W, C710G/A "

Ref. Table: 2/1.BC

| <u>REF.</u> | <u>CODE</u> | <u>DESCRIPTION</u> |
|-------------|-------------|--|
| 1.1 | 33163406S | Hob top - Mod. C700G/SS |
| = | 331634011 | Hob top - Mod. C710G/W |
| = | 33163401T | Hob top - Mod. C710G/A |
| 1.2 | 35P2007HCP | Control panel - Mod. C700G/SS |
| = | 35P20073CP | Control panel - Mod. C710G/W |
| = | 35P20079CP | Control panel - Mod. C710G/A |
| 1.5 | 083244060 | Heat protection trim - Mod. C700G/SS |
| = | 083250 | Heat protection trim - Mod. C710G/W, C710G/A |
| 1.6 | 001047 | Screw |
| 1.7 | 217277 | Top grate |
| 1.9 | 4106321 | Burner casing - Mod. C700G/SS |
| = | 4106311 | Burner casing - Mod. C710G/W, C710G/A |
| 1.10 | 053026 | Seal |
| 1.11 | 094154 | Fixing bracket |
| 1.12 | 001130 | Screw |
| 1.30 | 001146 | Screw - 7Px16 TSP - Mod. C700G/SS |
| 1.31 | 085045 | Spacer - H 10,5 - Mod. C700G/SS |
| = | 085046 | Spacer - H 8,5 - Mod. C700G/SS |
| 1.32 | 001147 | Screw - 7Px19 TSP - Mod. C700G/SS |
| – | 110797.1 | Instruction booklet |



GAS SECTION

Mod.: "C700G/W, C700G/B, C700G/GRN, C700G/SS, C710G/W, C710G/A"

Ref. Table: 2/2.EE

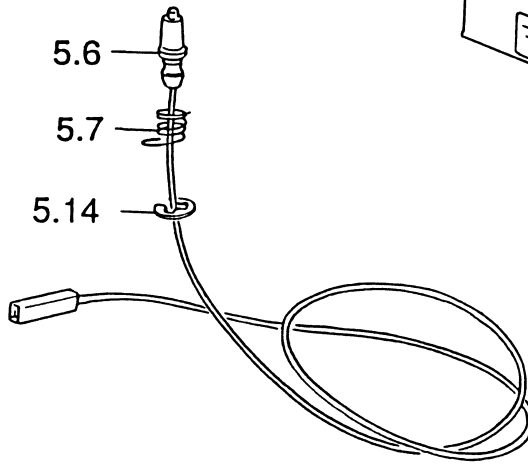
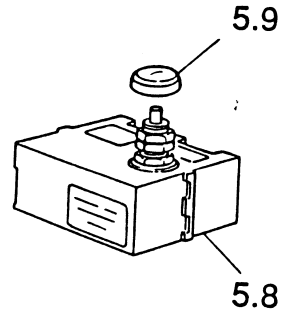
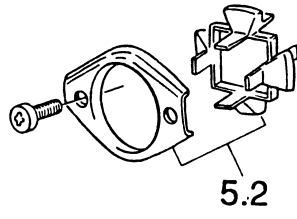
| <u>REF.</u> | <u>CODE</u> | <u>DESCRIPTION</u> |
|-------------|-------------|--------------------------|
| 2.1 | 218A003102 | Knob - (White) |
| = | 218P004102 | Knob - (Brown) |
| = | 218P002102 | Knob - (Black) |
| 2.2 | 106076 | Tap - Ø 0.40 A |
| = | 106078 | Tap - Ø 0.60 SR |
| = | 106079 | Tap - Ø 0.55 R |
| = | 106155 | Tap - Ø 0.43 UR |
| 2.3 | 101133 | Injector - Ø 0.65 (G 20) |
| = | 101099 | Injector - Ø 0.85 (G 20) |
| = | 101106 | Injector - Ø 1.10 (G 20) |
| = | 101124 | Injector - Ø .15 (G 20) |
| 2.4 | 3426340G02 | 4 gas inlet pipe |
| 2.5 | 094088004 | Tap bracket |
| 2.6 | 001060 | Screw |
| 2.7 | 094085 | Fixing plate |
| 2.8 | 053024.1 | Pipe joint |
| 2.9 | 067016 | Elbow |
| 2.10 | 2183383115 | Knob - (White) |
| = | 2183382115 | Knob - (Black) |

GAS BURNERS

Mod.: "C700G/W, C700G/B, C700G/GRN, C700G/SS, C710G/W, C710G/A"

Ref. Table: 2/3.BA

| <u>REF.</u> | <u>CODE</u> | <u>DESCRIPTION</u> |
|-------------|-------------|---------------------------------------|
| 3.1 | 068060001 | Burner-head A |
| = | 068061001 | Burner-head SR |
| = | 068062001 | Burner-head R |
| = | 068063001 | Burner-head UR |
| 3.2 | 216005011 | Burner-cap ring A (Brass) |
| = | 216006020 | Burner-cap ring SR (Brass) |
| = | 216007024 | Burner-cap ring R (Brass) |
| = | 216008022 | Burner-cap ring UR (Brass) |
| = | 216005111 | Burner-cap ring A (Chromium plated) |
| = | 216006120 | Burner-cap ring SR (Chromium plated) |
| = | 216007124 | Burner-cap ring R (Chromium plated) |
| = | 216008122 | Burner-cap ring UR (Chromium plated) |
| 3.3 | 216078080 | Burner-cap A (Black) |
| = | 216079080 | Burner-cap SR (Black) |
| = | 216080080 | Burner-cap R (Black) |
| = | 216081080 | Burner-cap UR (Black) |
| 3.4 | 216101211 | Burner-cap A - Mod. C710G/W, C710G/A |
| = | 216102220 | Burner-cap SR - Mod. C710G/W, C710G/A |
| = | 216103221 | Burner-cap R - Mod. C710G/W, C710G/A |
| = | 216104222 | Burner-cap UR - Mod. C710G/W, C710G/A |

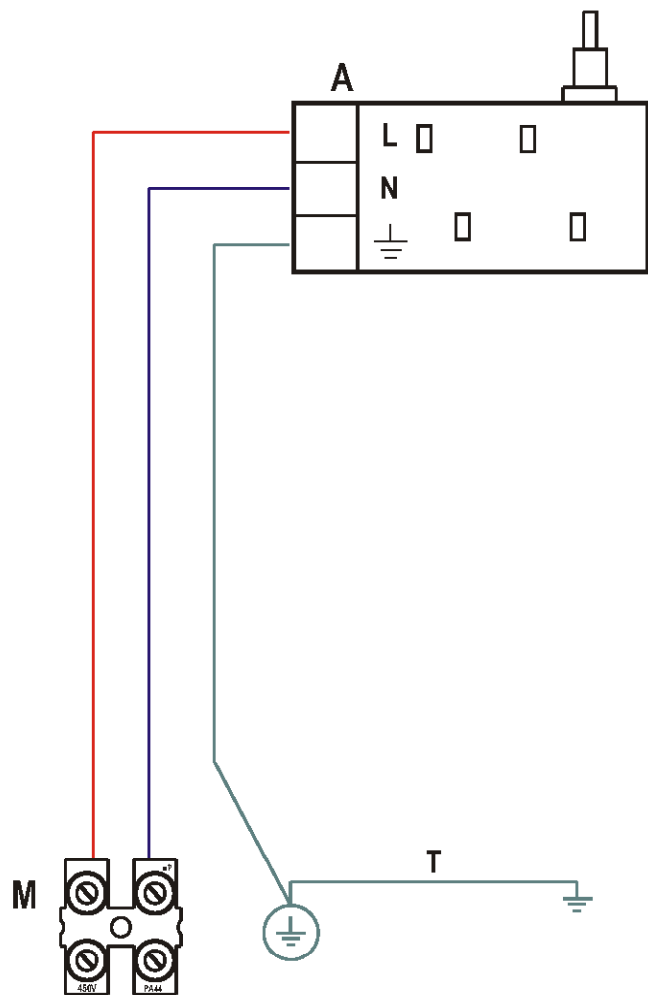


2/5.FE

ELECTRIC COMPONENTS**Mod.: "C700G/W, C700G/B, C700G/GRN, C700G/SS, C710G/W, C710G/A"**

Ref. Table: 2/5.FE

| <u>REF.</u> | <u>CODE</u> | <u>DESCRIPTION</u> |
|-------------|-------------|------------------------------|
| 5.1 | 051036 | Terminal block |
| 5.2 | 052001 | Wire fastener |
| 5.6 | 084007 | Spark plug - 400 mm |
| = | 084009 | Spark plug - 700 mm |
| = | 084010 | Spark plug - 800 mm |
| 5.7 | 035033 | Spark plug spring |
| 5.8 | 082047.1 | Ignition coil (4 spark) |
| 5.9 | 081031 | Ignition push-button (Brown) |
| = | 081033 | Ignition push-button (White) |
| = | 081032 | Ignition push-button (Black) |
| 5.14 | 003023 | Retaining ring |
| | 113155RF | Wiring |
| | 6305005 | LPG gas conversion kit |



ELECTRIC DIAGRAM KEY

- A IGNITION COIL
- M TERMINAL BLOCK
- T EARTH CONNECTION



C700G/B

Cable Gas Hob Brown