



C680E/SS

Caple Domino Fryer Stainless Steel

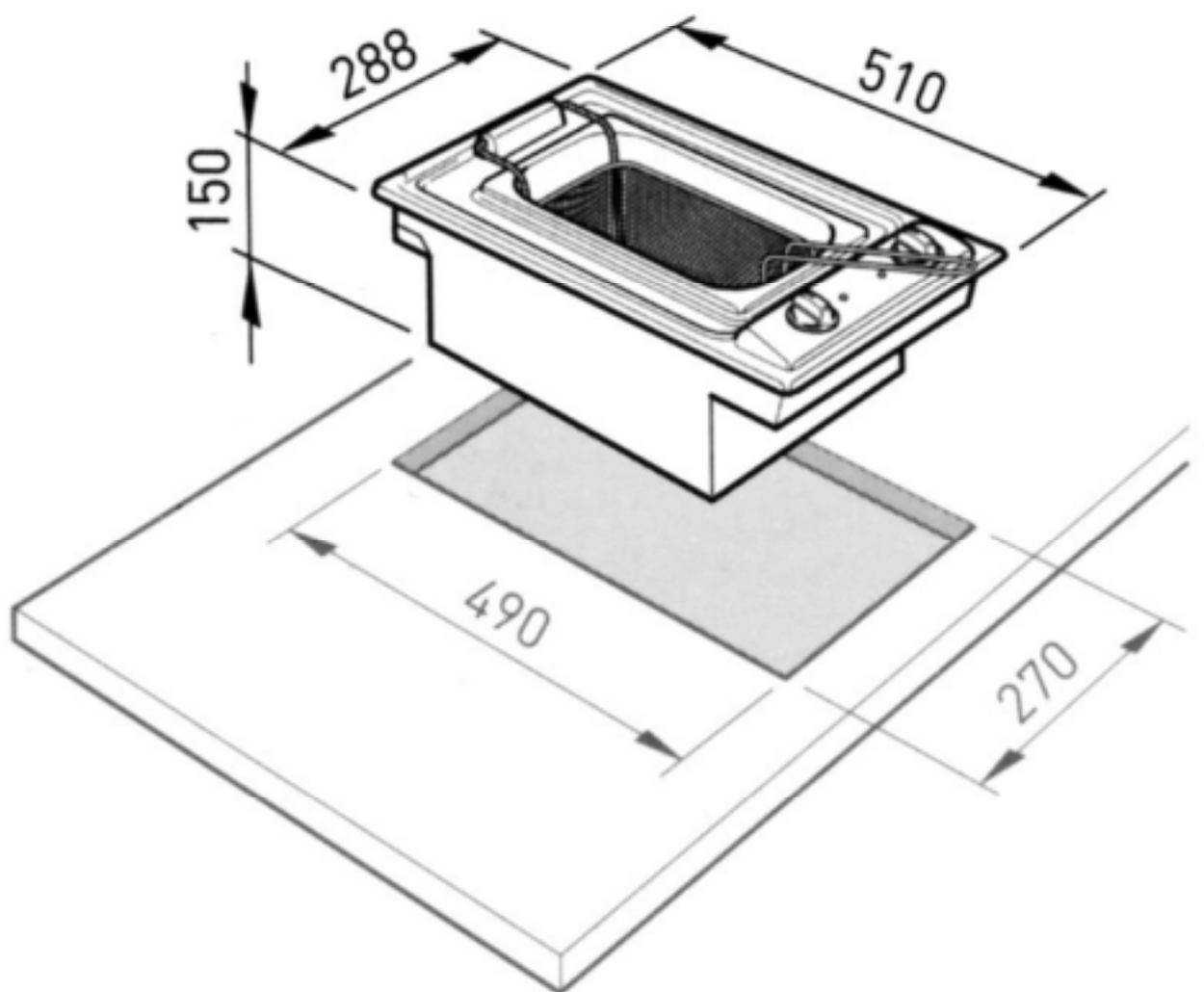


TECHNICAL INFORMATION



C680E/SS

Caple Domino Fryer Stainless Steel

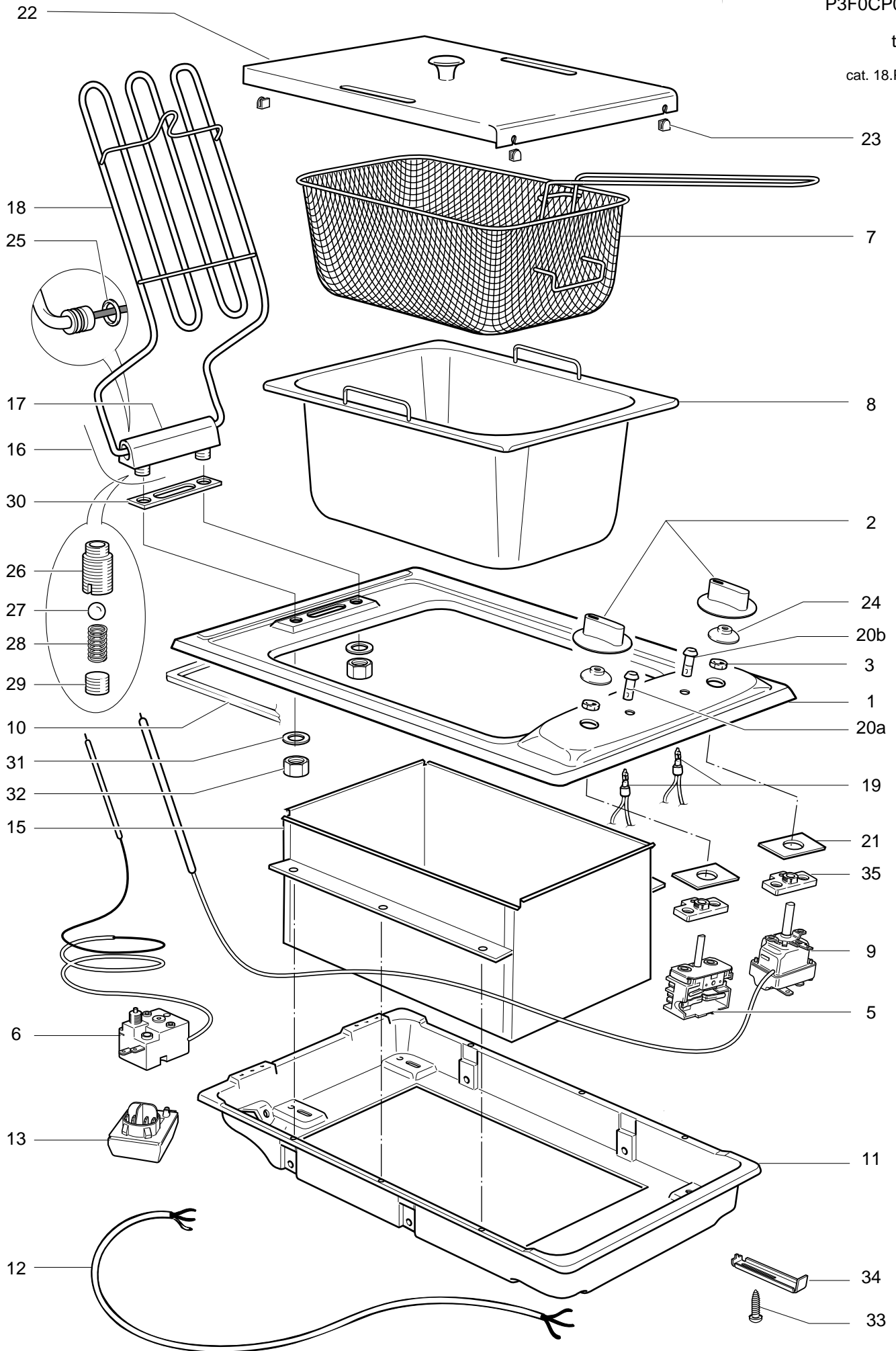


C 680E/SS

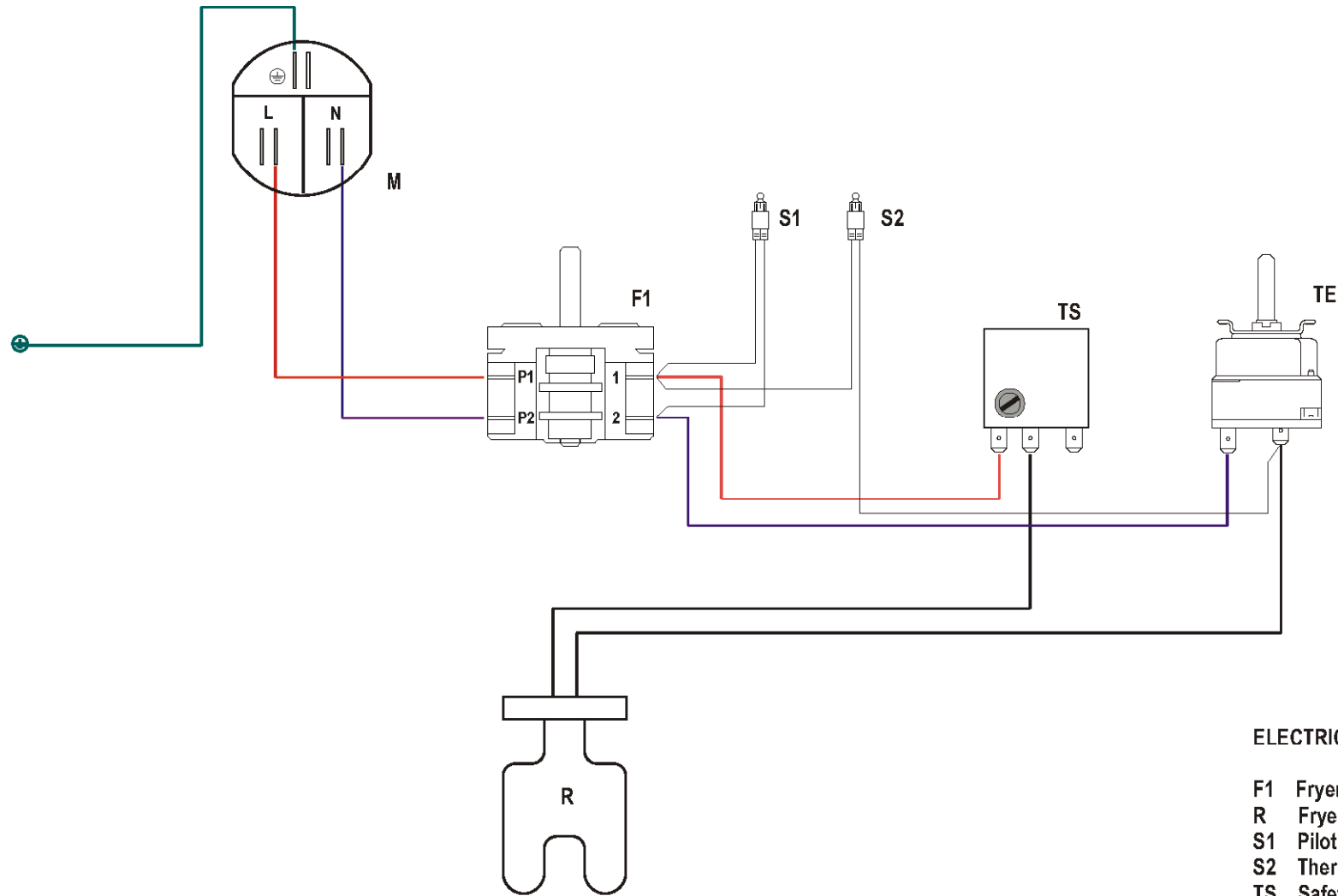
P3F0CP002X

tav. 1

cat. 18.P1974



REF.	CODE	DESCRIPTION
1	334F011SC1	"Domino" cooktop
2	218P002103	Knob (Black)
3	214063	Nut
5	050058	Electric element switch
6	066137	Safety thermostat
7	103491	Basket
8	103492	Oil tray
9	066138	Electric element thermostat
10	053065	Gasket
11	4113F02S	Casing
12	054082	Cord 3x1,5 mm ²
13	051046	Terminal block
15	4113F01	Tray
16	4933F001	Tiltable electric element group
17	069079	Tiltable electric element support
18	062084004	Tiltable electric element
19	073043	Control lamp
20a	073059	Control lamp cover (red)
20b	073060	Control lamp cover (orange)
21	053055	Switch insulation
22	3213F1S	Lid
23	040051	Lid buffer
24	053079	Knob rubber
25	003056	O ring
26	071057	Bolt
27	103534	Ball
28	035096	Spring
29	001133	Grub screw
30	053081	Gasket
31	053024.1	Washer gasket
32	214046	Nut
33	001069	Screw
34	094347	Bracket
35	103210.1	Energy regulator support
-	1131104	Wiring
-	1101583.1	Instruction booklet



ELECTRIC DIAGRAM KEY

- F1 Fryer switch
- R Fryer element
- S1 Pilot lamp
- S2 Thermostat pilot lamp
- TS Safety thermostat
- TE Thermostat
- M Terminal block



C680E/SS

Caple Domino Fryer Stainless Steel