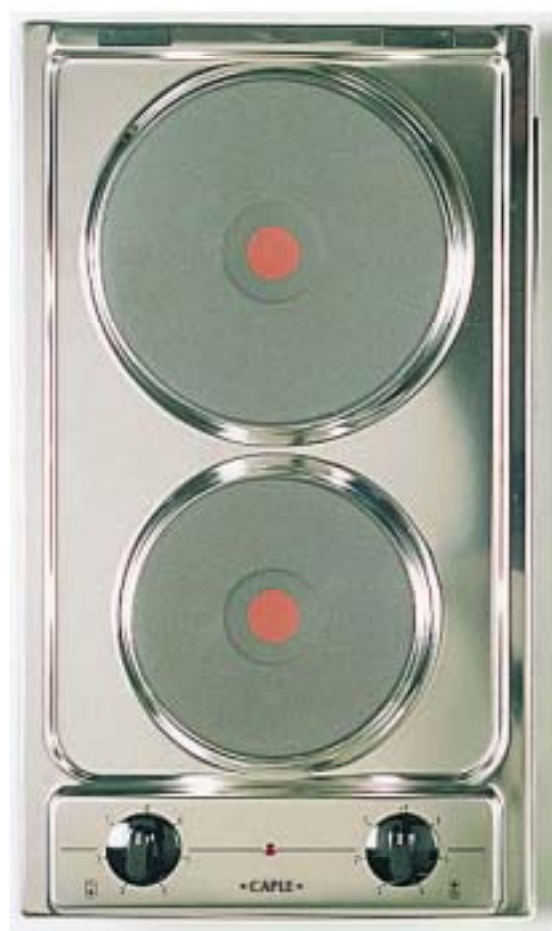




C621E/SS

Caple Electric Domino Hob

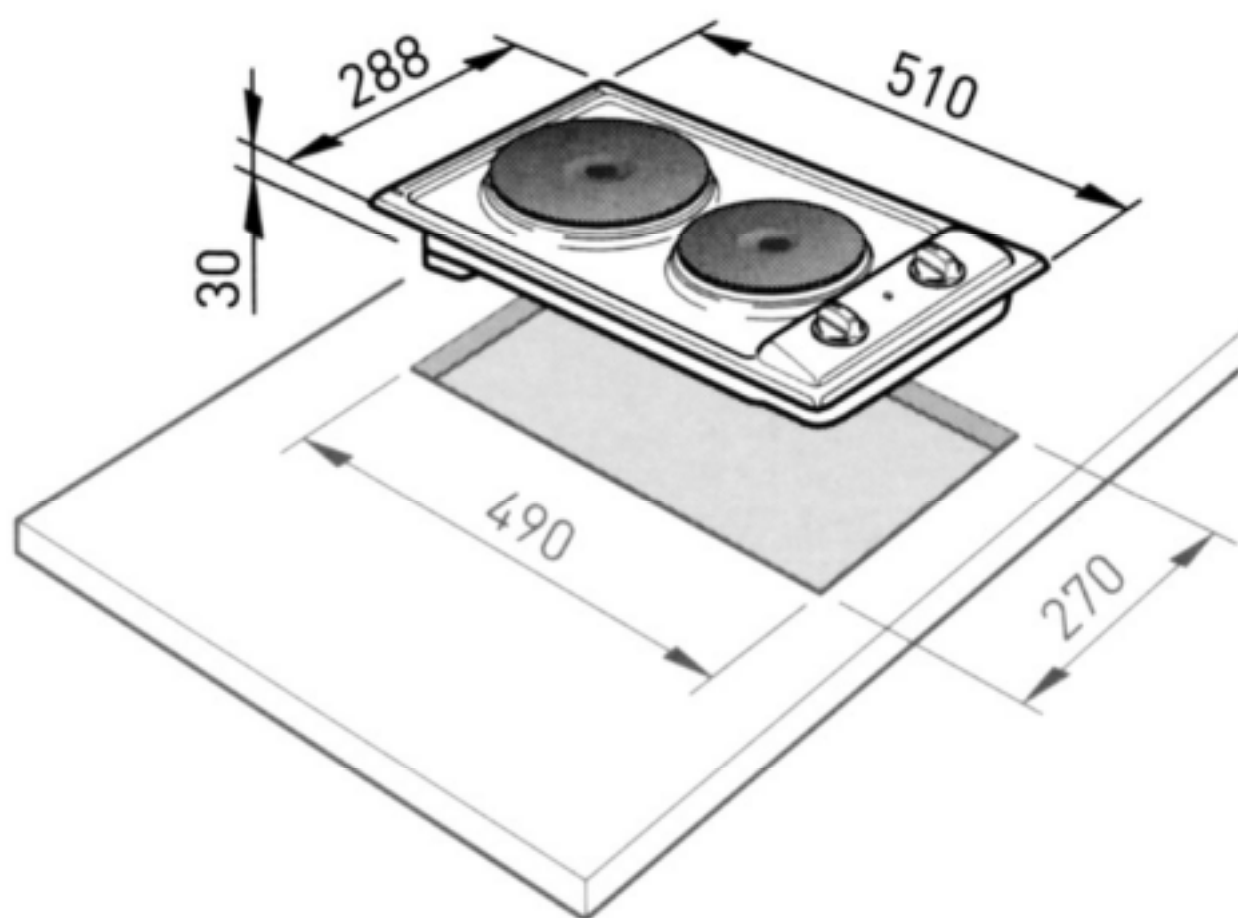


TECHNICAL INFORMATION



C621E/SS

Caple Electric Domino Hob

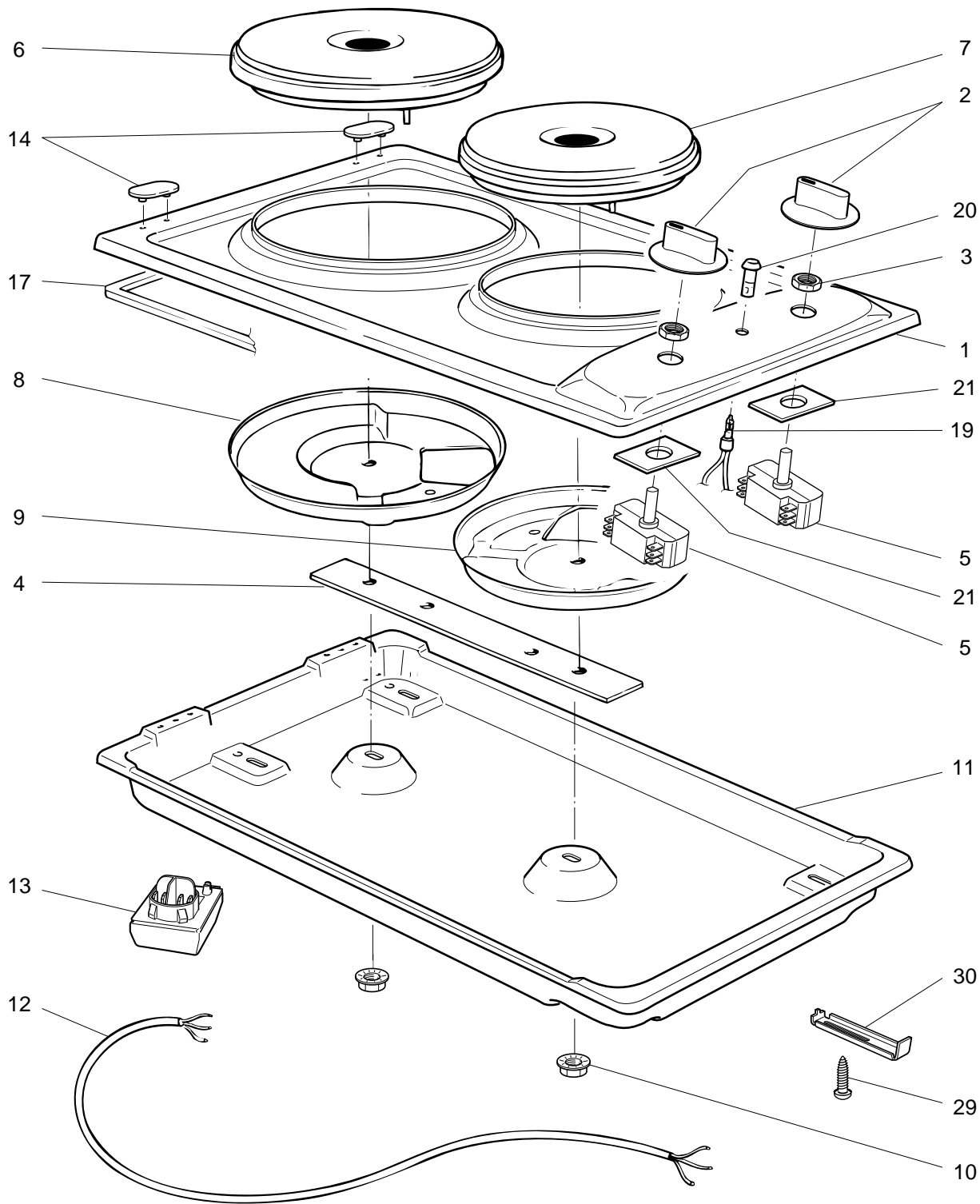


C 621E/SS

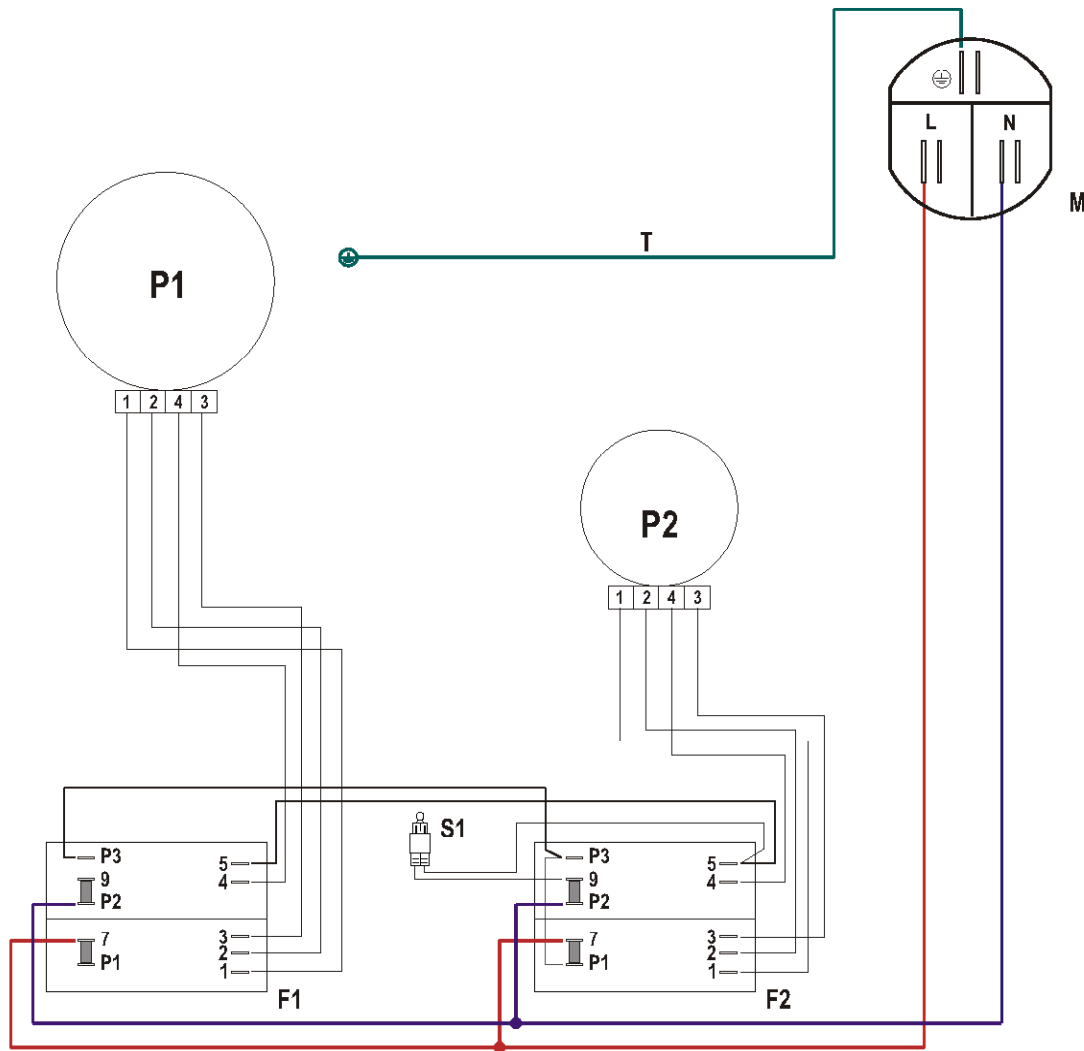
P3A0CP014X

tav. 1

cat. 18.P1971



REF.	CODE	DESCRIPTION
1	333A02BXC1	"Domino" cooktop
2	218P002103	Knob (Black)
3	214063	Nut
4	58B3A03	Electric plates support
5	050033	Electric plate switch
6	04765230	Rapid electric plate Ø 180 - 2000W - 230V
7	04764230	Rapid electric plate Ø 145 - 1500W - 230V
8	103081R	Electric plate protection Ø 180
9	103084R	Electric plate protection Ø 145
10	214055	Nut
11	4113A08	Casing
12	054041	Cord 3x1,5 mm ²
13	051046	Terminal block
14	103481002	Plug
17	053065	Gasket
19	073043	Control lamp
20	073060	Control lamp cover (orange)
21	053055	Switch insulation
29	001221	Screw
30	094338	Bracket
-	1131113	Wiring
-	1101694	Instruction booklet



ELECTRIC DIAGRAM KEY

- F1/2 Electric plate switches
- S1 Line pilot lamp
- P1 Electric plate 2000W-230V
- P2 Electric plate 1500W-230V
- M Terminal block
- T Earth connection

 **caple**

C621E/SS

Caple Electric Domino Hob