



Integrated tumble dryer instruction manual

TDI101



Contact Caple on 0117 938 7420 or for spare parts www.caple.co.uk





CONTENTS

USER INFORMATION	3
INSTALLATION	8
THE FILTER	9
CONTROL PANEL	10
OPERATION	11
DOOR REVERSAL	12
DECOR DOOR	13
TECHNICAL DATA	14
TROUBLESHOOTING	15
TECHNICAL FICHE	16



WARNINGS

- Keep these instructions for use with the appliance. If the appliance should be sold or passed on to others, make sure that the instructions are passed on with it. We thank you for taking note of these suggestions before installing and using the appliance. They have been written for your personal safety and the safety of others.
- This appliance is not intended for use by persons (including children) with reduced physical, sensory or mental capabilities, or lack of experience and knowledge, unless they have been given supervision or instruction concerning use of the appliance by a person responsible for their safety.
- This tumble dryer is intended for **NORMAL DOMESTIC USE ONLY**

SAFETY WARNINGS

- This appliance can be used by children aged from 8 years and above and persons with reduced physical, sensory or mental capabilities or lack of experience and knowledge if they have been given supervision or instruction concerning use of the appliance in a safe way and understand the hazards involved. Children shall not play with the appliance. Cleaning and user maintenance shall not be made by children without supervision. Children of less than 3 years should be kept away unless continuously supervised.

Please keep this instruction manual for future reference

Instruction manual TDI101 3





- Adequate ventilation must be provided to avoid back flow of gases into the room from appliances burning other fuels, including open fires.
- Exhaust air must not be discharged into a flue which is used for exhausting fumes from appliances burning gas or other fuel.
- Please note it is not recommended that the dryer is placed directly next to ovens or cookers as the performance of the dryer may be affected.
- A carpet must not obstruct the ventilation openings in the base of the dryer.
- Do not stack the tumble dryer on top of other appliances without the correct stacking kit.
- Any electrical work required to install the appliance should be carried out by a qualified person.
- It is important to clean the lint filter after each drying cycle or the restrictions to airflow will extend drying times and could cause the safety cut-out to trip.
- Under no circumstances should anything other than the recommended articles be placed in the tumble dryer.
- The tumble dryer should be serviced by an appointed service organisation and only genuine parts used.
- It is dangerous to alter or modify the product in any way other than fitting authorized accessories.
- We recommend that the appliance is unplugged each time after use. It should always be disconnected from the





electricity supply for long periods (i.e. weekends, if it is to be left unattended for holidays etc.)

- The rear of the dryer gets quite hot during use. Position the dryer so that the back is not accessible while in operation, but ensure that the sides have a space available to allow airflow.
- The special mains cable and plug assembly must only be replaced with a genuine part by the manufacturer or his service agents in order to avoid a hazard.
- It is important to clean fluff from the window of the dryer and around the door seal after each drying cycle. Failure to do so could result in water leaking.
- When installing, position the appliance so that the plug is accessible.

WARNINGS

- If you need to stop the tumble dryer before the end of a drying cycle, ensure that the load and appliance are cooled by utilizing the cooldown period denoted on the control panel. Once the load is removed, all items need to be quickly spread out so that any residual heat is dissipated.
- Remove all objects from pockets such as lighters and matches.
- **DO NOT** use a two-way adaptor, or extension lead. The dryer must be connected to its own socket.
- **DO NOT** block the air inlets at the base and side of your dryer.

Please keep this instruction manual for future reference



- **DO NOT** allow fluff to accumulate around the tumble dryer. Risk of fire
- **DO NOT** exceed the recommended maximum load.
- **DO NOT** dry unwashed items in the tumble dryer
- **DO NOT** place articles in the dryer if anything other than a water solution has been used in the cleaning process.
- **DO NOT** attempt to dry dripping wet articles.
- **DO NOT** use the tumble dryer if you suspect that it is damaged in any way. Under no circumstances should you attempt to repair the appliance yourself. Repairs carried out by inexperienced persons may cause serious injury.
- Consult your local appointed service engineer and insist on genuine spare parts.

WARNING:

- The appliance must not be supplied through an external switching device, such as a timer, or connected to a circuit that is regularly switched on and off by a utility.

**NOT SUITABLE FOR USE WITH
CONDENSING BOXES**





ENVIRONMENTAL PROTECTION

Waste electrical products should not be disposed of with household waste. Please recycle where facilities exist. Check with your Local Authority or retailer for recycling advice. This appliance is marked according to the European directive 2012/19/EU on Waste Electrical and Electronic Equipment (WEEE).

By ensuring this product is disposed of correctly, you will help prevent potential negative consequences for the environment and human health, which could otherwise be caused by inappropriate waste handling of this product. The symbol on the product indicates that this product may not be treated as household waste. Instead it shall be handed over to the applicable collection point for the recycling of electrical and electronic equipment. Disposal must be carried out in accordance with local environmental regulations for waste disposal.

For more detailed information about treatment, recovery and recycling of this product, please contact your local council, your household waste disposal service or the retailer where you purchased the product

CE DECLARATIONS OF CONFORMITY **CE**

This appliance has been manufactured to the strictest standards and complies with all applicable legislation, Low Voltage Directive (LVD) and Electromagnetic Compatibility (EMC).

Please keep this instruction manual for future reference

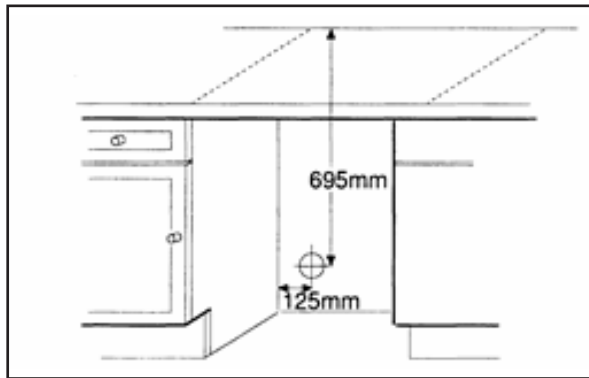
Instruction manual TDI101 7



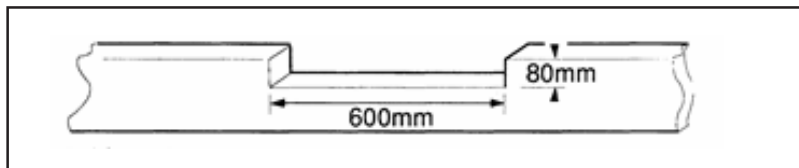
INSTALLATION

The tumble dryer is fully compatible with any 600mm deep kitchen units and complies with stringent EEC regulations.

Your dryer is provided with a vent hose which will extend to approx 2.4m (8ft). We strongly recommend that this is vented through the wall with the attachment provided. The position of the hole (100mm diameter) for the vent directly behind the tumble dryer is shown in the diagram.



If the through the wall vent is to be positioned other than behind the dryer, the vent hose should be positioned at floor level and through adjacent side panel to a relevant position. The plinth must be cut-out to accommodate the air vent grill at the bottom front of the tumble dryer.





IMPORTANT

The air vent at the front of the appliance must never be covered or blocked in any way as this will cause the dryer to overheat.

The dryer should not be placed directly next to ovens or cookers, as the performance of the dryer may be affected.

ELECTRICAL CONNECTIONS: We strongly recommend that any electrical work is carried out by a qualified person complying with the IEE 17th addition of the electrical regulations.

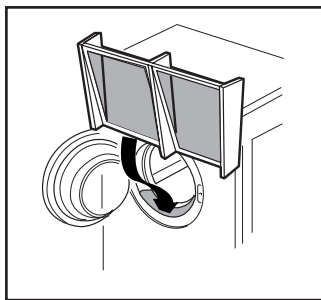
IMPORTANT

Please remember that the tumble dryer must be capable of being switched off, (disconnected from the supply), when fitted in position.

THE FILTER

The filter is found, as seen from the diagram, by opening the door and must always be in position when drying items in the appliance. To allow the dryer to operate efficiently it should be cleaned after each drying cycle. Do not be alarmed by the amount of fluff deposited on the mesh. It is not due to excessive wear caused by the dryer but more an indication of it's efficient operation.

All fabric loses fluff when drying but it goes unnoticed into the air. In a tumble dryer it simply collects in the filter.



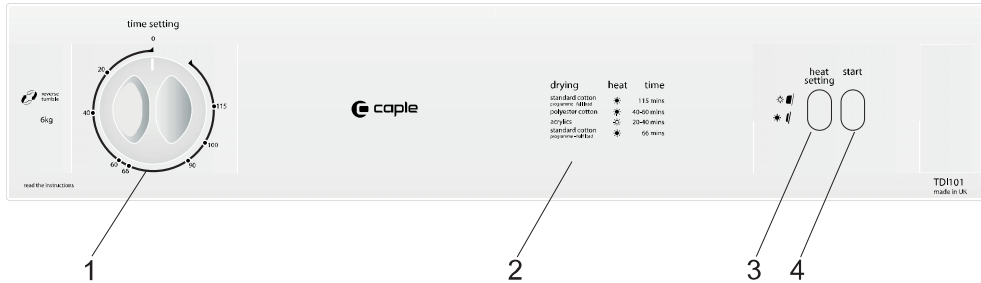
Please keep this instruction manual for future reference

Instruction manual TDI101 9





CONTROL PANEL GUIDE



1. The Timer

Select the drying time from the recommendations shown on the control panel (3). Turn the timer knob to the required drying time.

2. Control Panel (see below)

drying	heat	time
standard cotton programme full load	☀️	115 mins
polyester cotton	☀️	40-60 mins
acrylics	☀️	20-40 mins
standard cotton programme half load	☀️	66 mins

3. Heat Setting

Select half or full heat as recommended on the control panel.

4. Start

Press the start button after selecting the required drying time.





OPERATION

Sort out the clothes into groups of similar fabrics and colours. Check the care label inside the garment. We suggest that a fabric conditioner be used to reduce static electricity.

Delicate articles e.g. tights should be placed inside a pillowcase. It is better to dry small and large articles together.

Open the door.

Load clothes loosely into the drum.

Load sheets first starting with one corner.

Close the door.

Dry your hands.

Check the timer is in the '0' position.

Switch on the machine.

Select correct heat position (See programme chart on fascia panel).

Set the timer to the correct position (See programme chart on fascia panel).

The standard cotton programme is suitable to dry normal wet cotton laundry. It is the most efficient programme in terms of energy consumption for drying wet cotton laundry.

Your appliance is a reversing, small door opening; a full load will typically take 115 minutes and will use approximately 3.92kWh of electricity. A half load will typically take 66 minutes and will use approximately 2.08 kWh of electricity.

The power consumption of the off-mode and the left-on mode is zero.

Press the start button.

The drum will now begin to rotate and stop when the timer automatically reaches the '0' position.

Should the clothes become dry before the cycle has finished the thermostat will automatically switch off the heater and prevent overdrying and save energy although the drum will still rotate.

When drying large items such as sheets, we suggest you stop the dryer to redistribute the load.

To lengthen or shorten the programme, turn the timer knob.



After removing the dried clothes clean the filter as follows:

Pull the filter upwards.

Remove any threat of fluff by hand or with a soft brush.

Slide the filter back.


Wash the filter occasionally in detergent solution and with a soft brush remove small particles.

Switch off the electricity supply.

The final part of the drying cycle occurs without heat (cool down cycle) to ensure that the items will not be damaged.

CARE LABELS YOU MAY FIND ON YOUR FABRICS

 Tumble drying beneficial

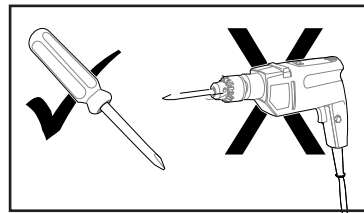
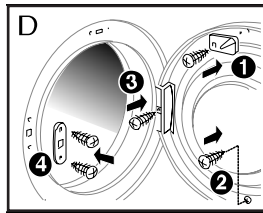
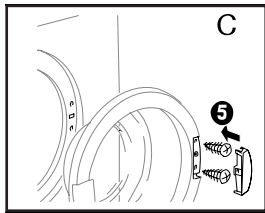
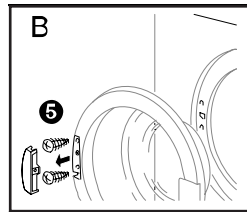
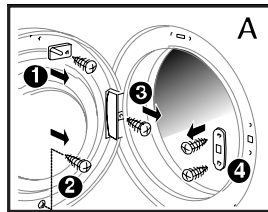
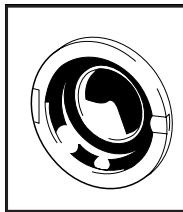
 Do not tumble dry

 Dry flat

DOOR REVERSAL

APPLIANCE DOOR

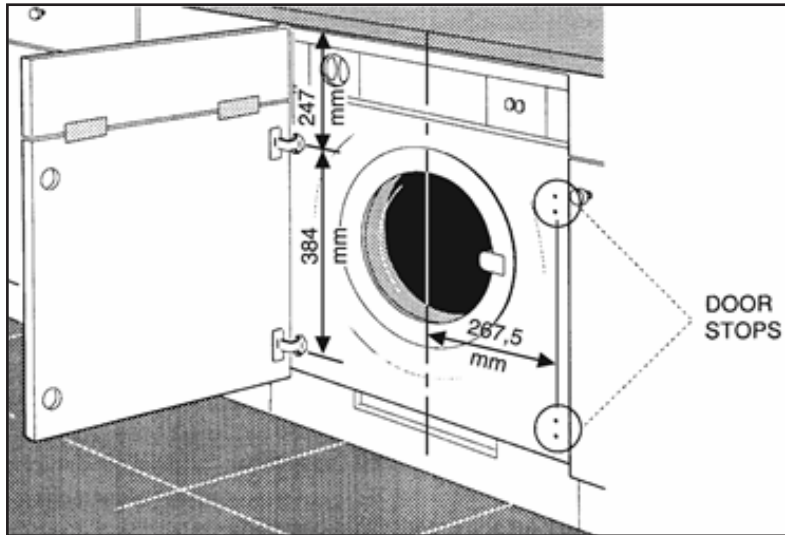
The door on the dryer can be positioned either with the left or right hand hanging. Please follow illustrations below to change the door position.





THE DECOR DOOR

The hinges can be fastened through the pre-drilled holes on either the left or right hand with the door stops being fitted on the other side.



Please keep this instruction manual for future reference

Instruction manual TDI101 13





TECHNICAL DATA

- Overall dimensions : height 86.5 - 89cm width 59.5cm depth 53cm
- Maximum dry weight of cotton, linen 6.0kg synthetics 6.0kg.
- For electrical ratings see plate on rear of machine.
- This product is manufactured to comply with the radio interference requirements of the EMC directive 2014/30/EU.
- Fuse rating: 13amp.

DON'TS'

DO NOT - Overload the dryer.

DO NOT - Dry articles singly as they tend to roll up and so increase drying time.

DO NOT - Dry woolen or wool mixture articles unless the article is labeled as suitable. This should avoid shrinkage.

DO NOT - Allow venting hose (where applicable) or filter to become blocked.

DO NOT - Allow fluff to accumulate around the tumble dryer.

NEVER SWITCH THE DRYER OFF AND LEAVE A HOT LOAD IN THE DRUM - RISK OF FIRE.

Please keep this instruction manual for future reference





TROUBLESHOOTING

If the clothes are not dry after normal drying time:

- Check that the filter is clean.
- Check that you used the correct heat setting.
- Check that the venting hose is not blocked (sometimes a strong wind may cause a back pressure).
- Check that you have not set the timer within a cool down period.

If your machine does not work, check the following points before contacting the Free - phone service number.

- Check that there is a supply of electricity.
- Check that the machine is switched on and the door properly closed.
- Some machines are fitted with a resettable cut-out. Check this has not operated. If your dryer has a red button on the right hand side at the back of your dryer, press it. If it has operated the sharp ^click~ will be heard. This cut-out only operates if the airflow is severely restricted so make sure the filter is clean and that all other restrictions are removed before restarting.
- Check the fuse in the moulded plug.

Please keep this instruction manual for future reference

Instruction manual TDI101 15



TECHNICAL FICHE

	LAV SDO Rev
Suppliers name or trade mark	CAPLE
Model identifier	TDi101
Rated capacity at full load	6kg
Appliance type	Air Vented
Energy efficiency class	C
Energy consumption of the appliance*	459kWh
The figures above is based on 160 drying cycles of the standard cotton programme at full and partial load and the consumption of the low-power modes. Actual energy consumption per cycle will depend on how the appliance is used.	
Automatic/non-automatic	Non-automatic
EU Ecolabel	N/A
Edry	3.92kWh
Edry½	2.08kWh
Egdry	N/A
Egdry½	N/A
Egdry,a	N/A
Egdry½,a	N/A
Off mode power (Po)	0W
Left on mode power (Pl)	0W
Duration of left-on mode	N/A
The standard cotton programme used at full and partial load is the standard drying programme to which the information in the label and the fiche relates. This programme is suitable for drying normal wet cotton laundry. It is the most efficient programme in terms of energy consumption for cotton.	





Tt	86mins
Tdry	115mins
Tdry $\frac{1}{2}$	66mins
Ct	N/A
Cdry	N/A
Cdry $\frac{1}{2}$	N/A
Sound power level	62dBA
Built in/not built in	Built-in

Please keep this instruction manual for future reference





Notes:





Notes:

Please keep this instruction manual for future reference

Instruction manual TDI101 19





Caple Service
Fourth Way
Avonmouth
Bristol
BS11 8DW

t: 0117 938 7420
e: service@caple.co.uk
www.caple.co.uk

Please keep this instruction manual for future reference

