



TDI100

Caple Integrated Tumble Dryer

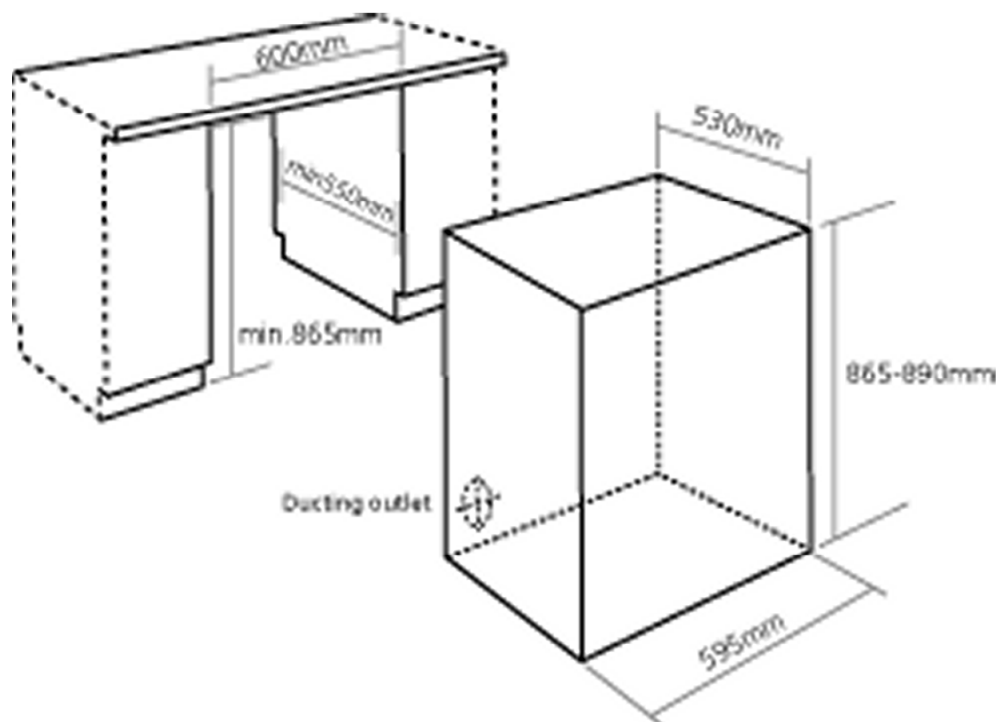


Technical information



TDI100

Caple Integrated Tumble Dryer

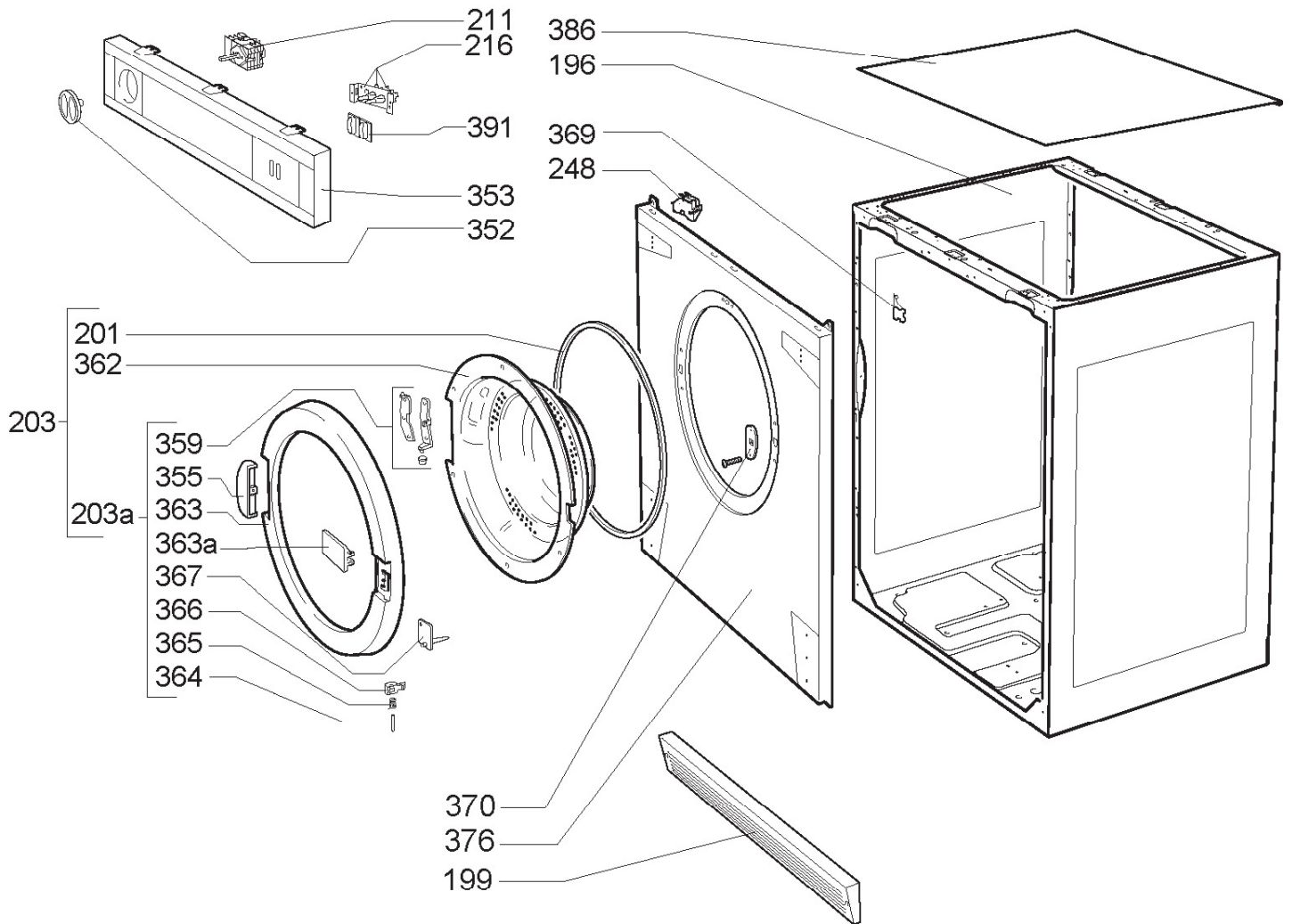


Dimensions



TDI100

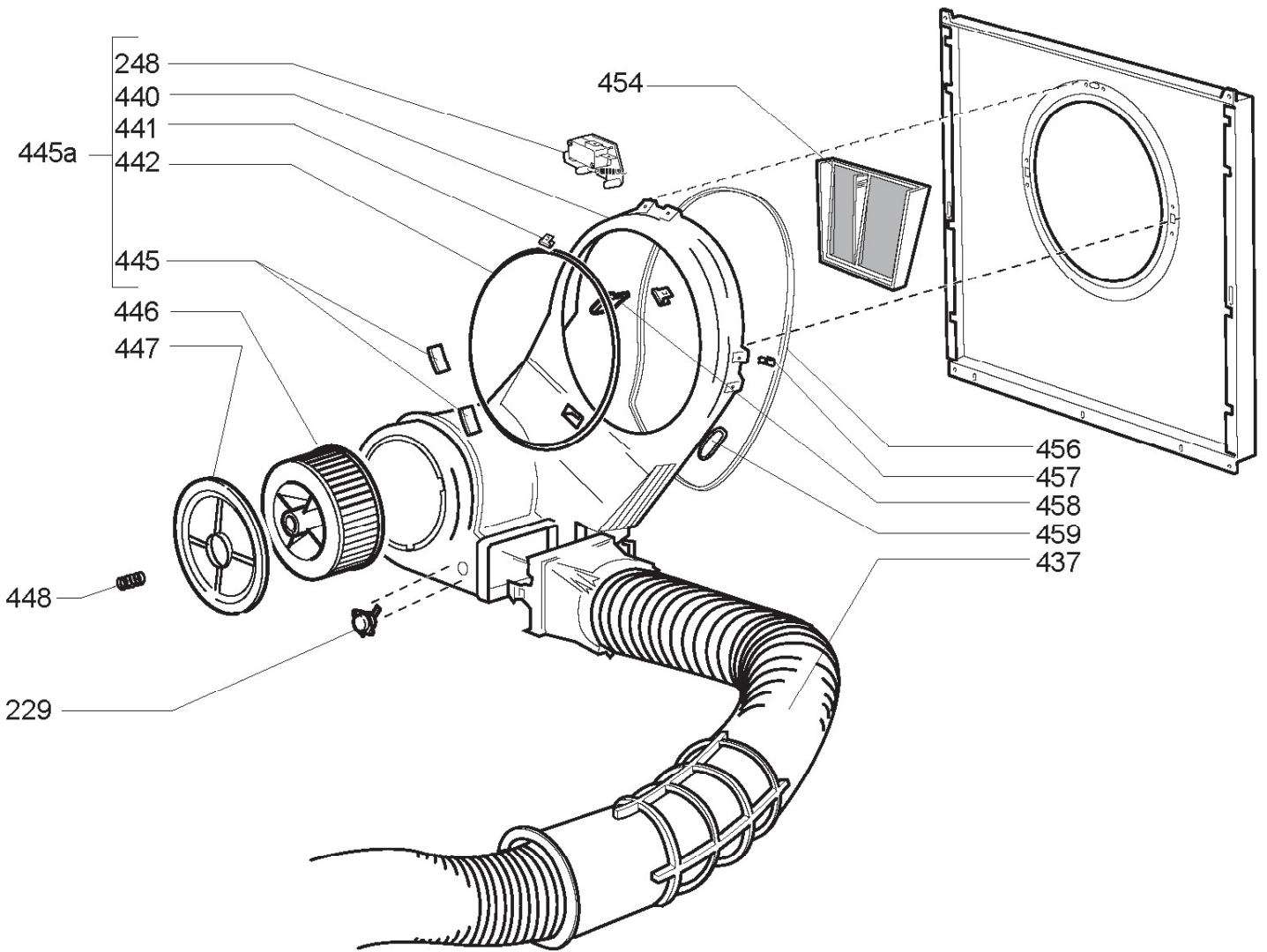
Caple Integrated Tumble Dryer





TDI100

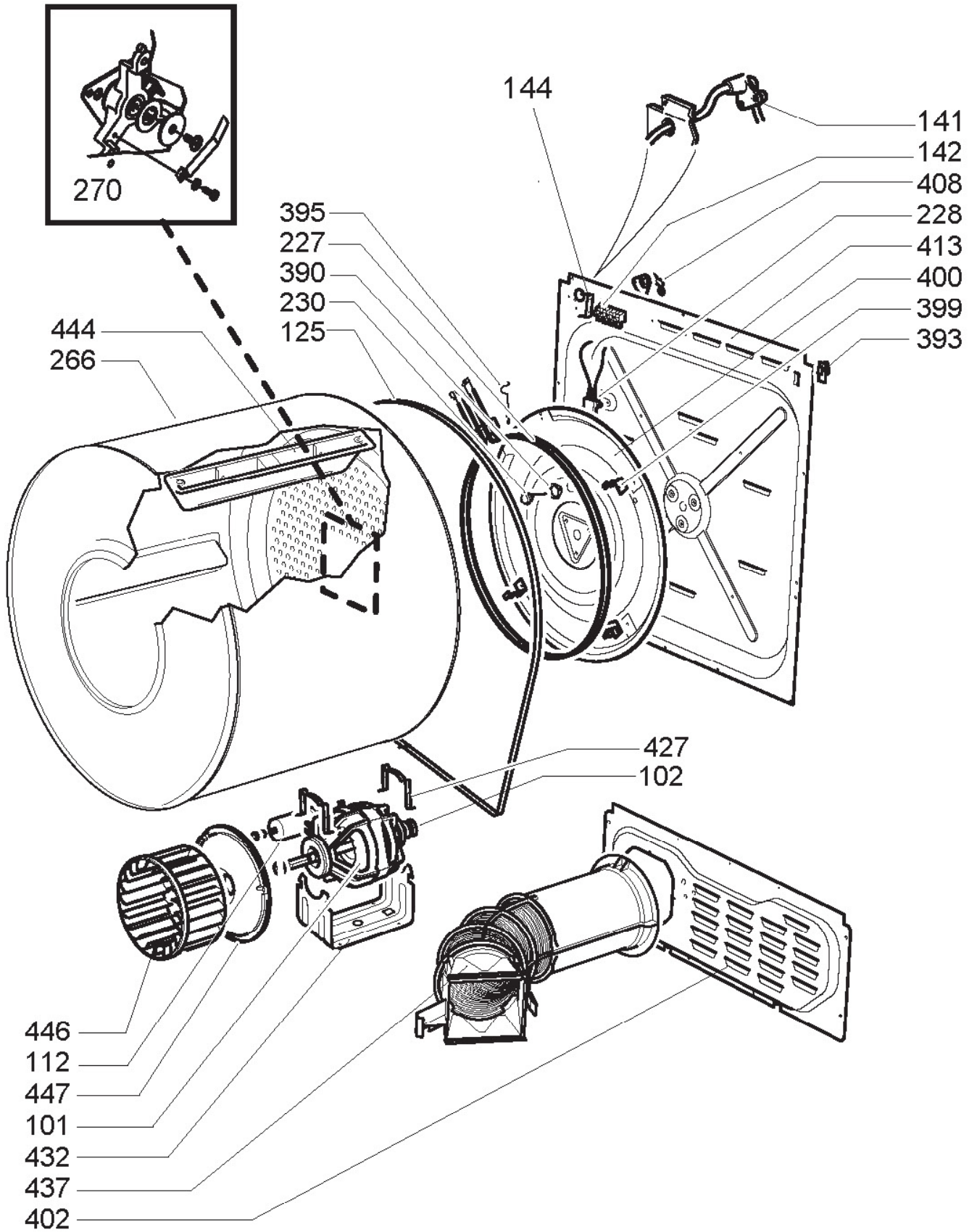
Caple Integrated Tumble Dryer





TDI100

Caple Integrated Tumble Dryer





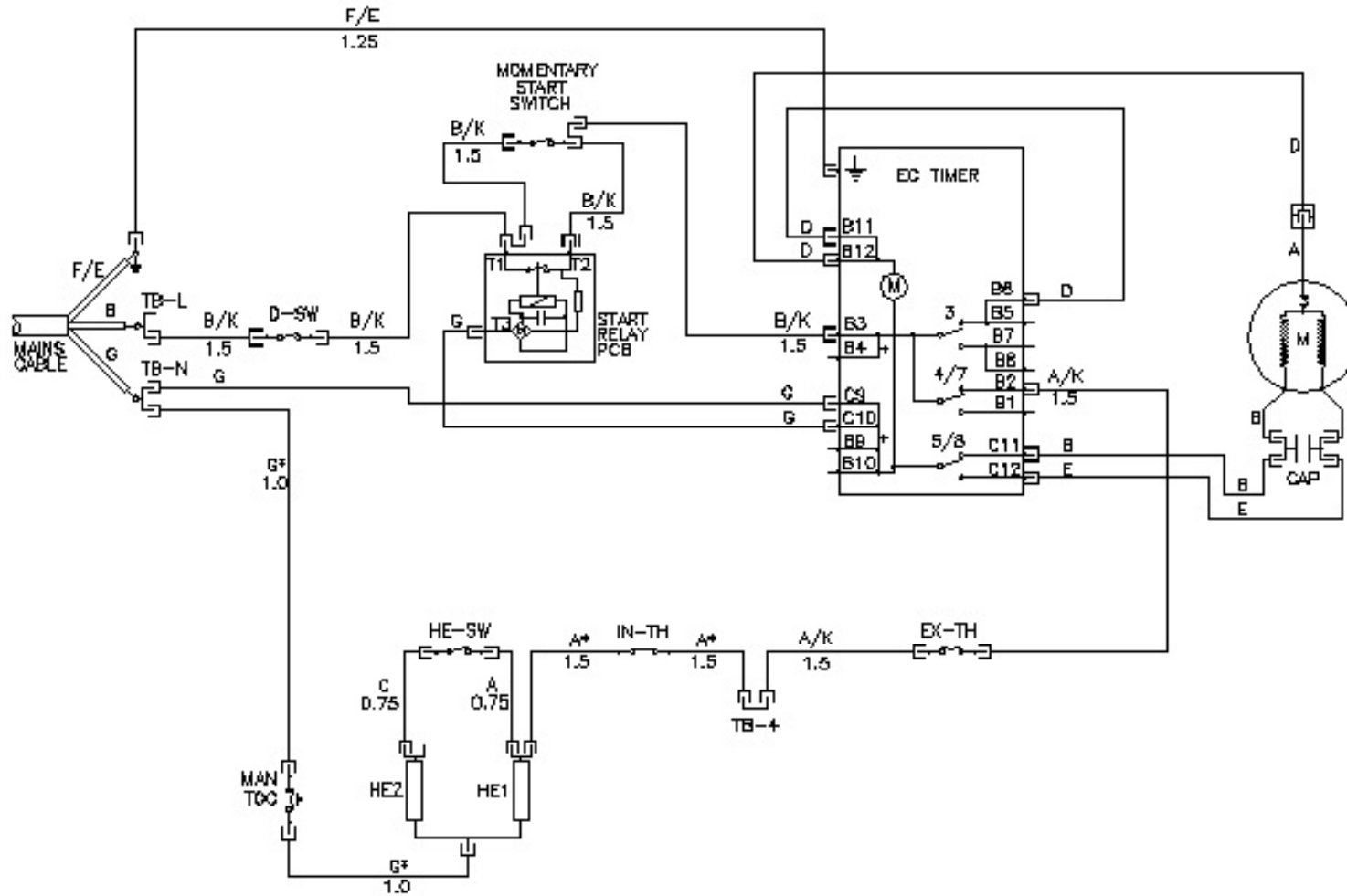
TDI100 - Caple Integrated Tumble Dryer

Item	Part Code	Description
101	4213 092 25611	Motor & 8µf Capacitor Assembly
102	4213 075 13933	Pulley
112	4213 092 08091	8µf Capacitor
125	4213 092 18601	Drive Belt
141	4213 076 35123	Mains Cable
142	4213 078 44613	Terminal Block
144	4213 092 41181	Earth Tab Assembly
196	4213 092 17761	Cabinet Assembly
199	4213 092 35741	Plinth Assembly
201	4213 077 08344	Door Seal
203	4213 092 17181	Complete Flatline Door/Window Assembly
203a	4213 092 28191	Flatline Door Frame Assembly
211	4213 078 54782	Timer EC4818.01A
216	4213 092 44571	Switches & Bracket Assembly
227	4213 092 05521	Heating Element
228	4213 078 50161	Heat TOC
229	4213 078 48373	Thermostat (exhaust)
230	4213 078 56261	Thermostat (inlet)
248	4213 092 24981	Microswitch/Bracket Assembly
266	4213 092 05531	Drum Assembly
270	4213 092 05591	Drum Shaft/Bearing Kit
352	4213 092 44581	Timer Knob Assembly
353	4213 092 44591	Control Panel Assembly
355	4213 077 43113	Hinge Cover
359	4213 092 04751	Flatline Door Hinge Assembly
362	4213 077 44094	Window
363	4213 077 43104	Flatline Door Frame
363a	4213 077 44444	Flatline Door Handle
364	4213 075 13013	Latch Pivot
365	4213 075 70833	Latch Spring
366	4213 077 53413	Door Latch
367	4213 077 83571	Switch Strike
369	4213 075 70941	Loom Clip
370	4213 077 40992	Latch Guide
376	4213 092 38541	Front Panel Assembly
386	4213 092 38311	Flat Top Cover Assembly
390	4213 074 50862	Gasket
391	4213 077 91201	Buttons
393	4213 077 40982	Flex Support Clip
395	4213 075 70971	Heater Wires Clip
399	4213 080 06619	Heater Support
400	4213 080 14551	Heater Plate
402	4213 080 06558	Access Panel
408	4213 077 47303	Cable Clamp



TDI100 - Caple Integrated Tumble Dryer

Item	Part Code	Description
413	4213 092 37601	Back Panel Assembly
427	4213 078 45362	Motor Spring Clip
432	4213 080 0675A	Motor Mount Bracket
437	0312 002 01000	Extendable Rear Vent Kit (short)
440	4213 092 17811	Banjo Assembly
441	4213 077 40952	Front Bearing (short)
442	4213 077 40942	Front Seal
444	4213 077 41009	Lifter
445	4213 077 40962	Front Bearing (long)
445a	4213 092 21171	Bearing Pads & Brush Seal Kit
446	4213 077 40896	Fan
447	4213 092 18081	Access Cover Assembly
448	4213 075 71162	Spring Clip (Fan)
454	4213 092 17821	Filter
456	4213 077 07991	Banjo Seal
457	2513 482 08002	J' Clip
458	4213 077 40962	Banjo Insert No 2 White
459	4213 077 40952	Banjo Insert No 1 White
-	4213 076 59981	Loom Assembly
--	4213 094 99951	User Instruction Booklet
---	4213 089 30281	MFI Fittings (Pair of Hinges, Door Stop, Spacers etc.)



NOTES

1. ALL INTERNAL WIRING TO BE 0.5MM SQUARED, MULTI-STRAND, PVC INSULATED COPPER WIRE, UNLESS INDICATED OTHERWISE.
2. WIRES MARKED THUS * TO BE SILICONE RUBBER INSULATED.
3. LINKS ON TIMER MARKED THUS + ARE 5 AMP RATED ONLY.

WIRE COLOUR CODE

- A - BLACK
- B - BROWN
- C - RED
- D - ORANGE
- E - YELLOW
- F - GREEN
- G - BLUE
- H - VIOLET
- K - WHITE
- N/A - PINK

COMPONENT CODE

- TB - TERMINAL BLOCK
- D-SW - DOOR SWITCH
- M - MOTOR
- EX-TH - EXHAUST THERMOSTAT
- IN-TH - INLET THERMOSTAT
- HE - HEATER
- HE-SW - HEAT SWITCH
- MAN TOC - MANUAL RESET HEATER CUT-OUT
- CAP - CAPACITOR