



Instruction manual for integrated tumble dryer

Model code: TDI100



CONTENTS

User Information

Installation

The Filter

Control Panel

Operation

Door Reversal & Decor Door

Technical Data & Problem Guide

IMPORTANT USER INFORMATION

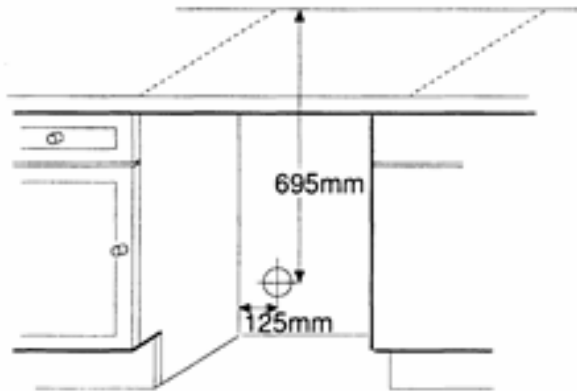
These notes are provided in the interest of safety. You must read them carefully before installing or using this appliance.

- Children should not be allowed to tamper with the controls and should be supervised to ensure they do not play with the appliance.
- This appliance is not intended for use by persons (including children) with reduced physical, sensory or mental capabilities, or lack of experience and knowledge, unless they have been given supervision or instruction concerning the use of the appliance responsible for their safety.
- This tumble dryer is intended for domestic use only.
- The room must be adequately ventilated to avoid back flow of gases into the room from appliances burning gas or any other fuels. This includes open fires.
- Any electrical work required to install the appliance should be carried out by a qualified person.
- This tumble dryer should be serviced by an appointed service organization and only genuine spare parts used.
- It is dangerous to alter or modify the product in any way, other than fitting authorized accessories.
- It is important to clean the lint filter after each drying cycle.
- Under no circumstances should anything other than the recommended articles be placed in the tumble dryer. These can cause fires.
- Do not place articles which have been in contact with dry cleaning fluid, petrol, cooking oil, fat, hair lacquer or other flammable substances in the tumble dryer.
- Items that have been soiled with substances such as cooking oil, acetone, alcohol, petrol, kerosene, spot removers, turpentine, waxes and wax removers should be washed in hot water with an extra amount of detergent before being dried in the tumble dryer.
- Do not place articles which have been in contact with dry cleaning fluid or other flammable substances in the tumble dryer.
- Remove all objects from pockets such as lighters and matches.
- Do not attempt to dry dripping wet articles.
- Fabric softeners, or similar products, should be used as specified by the fabric softener instructions.
- Items such as foam rubber (latex foam), shower caps, waterproof textiles, rubber backed articles and clothes or pillows fitted with foam rubber pads should not be dried in the tumble dryer.
- Do not dry unwashed items in the tumble dryer.
- Do not use the tumble dryer if you suspect that it is damaged in any way. Under no circumstances should you attempt to repair the appliance yourself. Repairs carried out by inexperienced persons may cause serious injury.
- We recommend that the appliance is switched off each time after use. It should be disconnected from the electricity supply if it is to be unattended for long periods, (i.e. weekends or holiday etc).
- **DO NOT use a two-way or multi-way adapter, or extension lead. The dryer must be connected to its own individual socket.**
- The special mains cable and plug assembly must be replaced with a genuine part from the manufacturer or his service agent.
- When installing, position the appliance so that that the plug is accessible.
- This appliance must be earthed.
- Exhaust air must not be discharged into a flue which is used for exhausting fumes from appliances burning gas or other fuels.

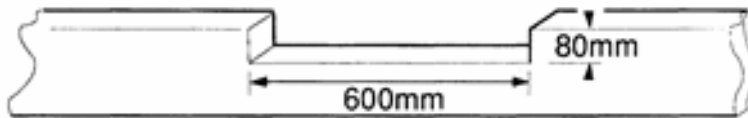
INSTALLATION

The tumble dryer is fully compatible with any 600mm deep kitchen units and complies with stringent EEC regulations.

Your dryer is provided with a vent hose which will extend to approx 2.4m (8ft). We strongly recommend that this is vented through the wall with the attachment provided. The position of the hole (100mm diameter) for the vent directly behind the tumble dryer is shown in the diagram.



If the through the wall vent is to be positioned other than behind the dryer, the vent hose should be positioned at floor level and through adjacent side panel to a relevant position. The plinth must be cut-out to accommodate the air vent grill at the bottom front of the tumble dryer.



IMPORTANT

The air vent at the front of the appliance must never be covered or blocked in any way as this will cause the dryer to overheat.

The dryer should not be placed directly next to ovens or cookers, as the performance of the dryer may be affected.

ELECTRICAL CONNECTIONS: We strongly recommend that any electrical work is carried out by a qualified person complying with the IEE 17th addition of the electrical regulations.

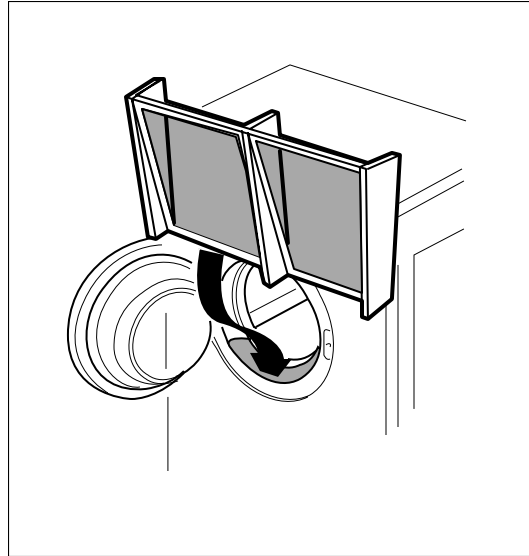
IMPORTANT

Please remember that the tumble dryer must be capable of being switched off, (disconnected from the supply), when fitted in position

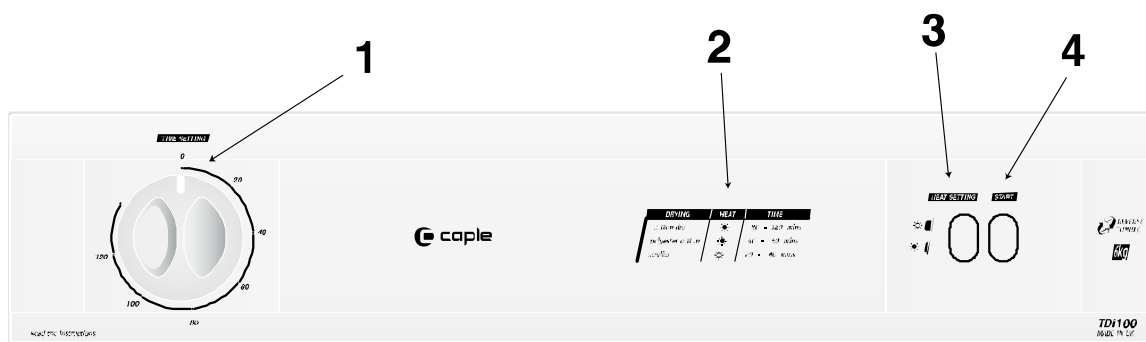
THE FILTER

The filter is found, as seen from the diagram, by opening the door and must always be in position when drying items in the appliance. To allow the dryer to operate efficiently it should be cleaned after each drying cycle. Do not be alarmed by the amount of fluff deposited on the mesh. It is not due to excessive wear caused by the dryer but more an indication of it's efficient operation.

All fabric loses fluff when drying but it goes unnoticed into the air. In a tumble dryer it simply collects in the filter.



CONTROL PANEL GUIDE



1. The Timer Select the drying time from the recommendations shown on the control panel (3). Turn the timer knob to the required drying time.

2. Heat Setting Select half ☀ or full heat ☀ as recommended on the control panel.

3. Control Panel See below

4. Start Press the start button after selecting the required drying time.

DRYING	HEAT	TIME
<i>cotton dry</i>	☀	<i>80 - 120 mins</i>
<i>polyester cotton</i>	☀	<i>40 - 60 mins</i>
<i>acrylics</i>	☀	<i>20 - 40 mins</i>

OPERATION

Sort out the clothes into groups of similar fabrics and colours. Check the care label inside the garment. We suggest that a fabric conditioner be used to reduce static electricity.

Delicate articles e.g. tights should be placed inside a pillowcase. It is better to dry small and large articles together.

Open the door.

Load clothes loosely into the drum.

Load sheets first starting with one corner.

Close the door.

Dry your hands.

Check the timer is in the '0' position.

Switch on the machine.

Select correct heat position (See programme chart on fascia panel).

Set the timer to the correct position (See programme chart on fascia panel).

Press the start button.

The drum will now begin to rotate and stop when the timer automatically reaches the '0' position.

Should the clothes become dry before the cycle has finished the thermostat will automatically switch off the heater and prevent overdrying and save energy although the drum will still rotate.

When drying large items such as sheets, we suggest you stop the dryer to redistribute the load.

To stop the machine during the middle of a programme simply open the door: the drum will stop rotating automatically and reset when you close the door. To lengthen or shorten the programme, turn the timer knob.

After removing the dried clothes clean the filter as follows:

Pull the filter upwards.

Remove any threat of fluff by hand or with a soft brush.

Slide the filter back.

Wash the filter occasionally in detergent solution and with a soft brush remove small particles.

Switch off the electricity supply.

The final part of the drying cycle occurs without heat (cool down cycle) to ensure that the items will not be damaged.

CARE LABELS YOU MAY FIND ON YOUR FABRICS



'Tumble drying beneficial'



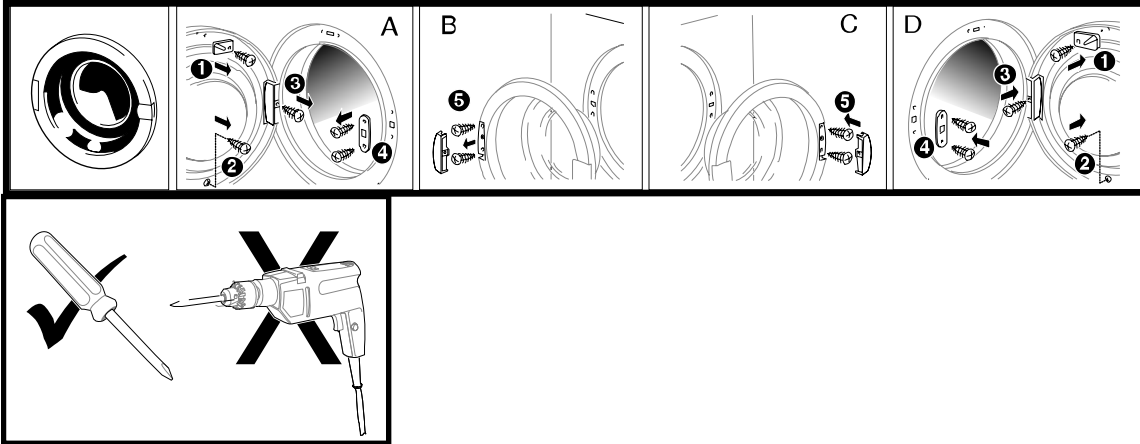
'Do not tumble dry'



'Dry flat'

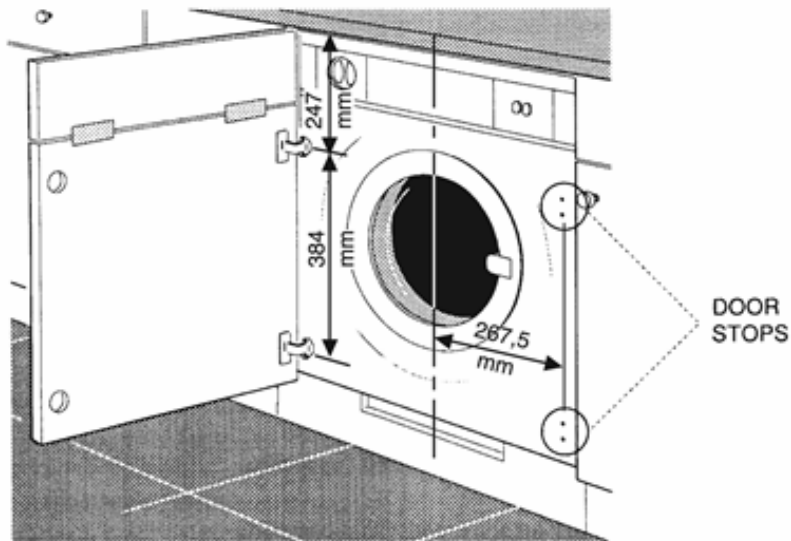
DOOR REVERSAL APPLIANCE DOOR

The door on the dryer can be positioned either with the left or right hand hanging. Please follow illustrations below to change the door position.



THE DECOR DOOR

The hinges can be fastened through the pre-drilled holes on either the left or right hand with the door stops being fitted on the other side.



TECHNICAL DATA

Overall dimensions : height 86.5 – 89cm width 59.5cm depth 53cm

Maximum dry weight of cotton, linen 6.0kg synthetics 2.0kg.

For electrical ratings see plate on rear of machine.

This product is manufactured to comply with the radio interference requirements of the Council directive 89/336/EEC, 2004/108/EC.

Fuse rating: 13amp.

DON'TS'

Do not – Overload the dryer.

Do not – Dry articles singly as they tend to roll up and so increase drying time.

Do not – Dry woolen or wool mixture articles unless the article is labeled as suitable. This should avoid shrinkage.

Do not – Allow venting hose (where applicable) or filter to become blocked.

Do not – Allow fluff to accumulate around the tumble dryer.

NEVER SWITCH THE DRYER OFF AND LEAVE A HOT LOAD IN THE DRUM – RISK OF FIRE

.

WARNING: Never stop a tumble dryer before the end of a drying cycle unless all items are quickly removed and spread out so the heat is dissipated.

ANY PROBLEMS

If the clothes are not dry after normal drying time:

- Check that the filter is clean.
- Check that you used the correct heat setting.
- Check that the venting hose is not blocked (sometimes a strong wind may cause a back pressure).
- Check that you have not set the timer within a cool down period.

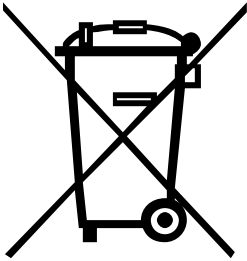
If your machine does not work, check the following points before contacting the Free – phone service number.

- Check that there is a supply of electricity.
- Check that the machine is switched on and the door properly closed.
- Some machines are fitted with a resettable cut-out. Check this has not operated. If your dryer has a red button on the right hand side at the back of your dryer, press it. If it has operated the sharp “click” will be heard. This cut-out only operates if the airflow is severely restricted so make sure the filter is clean and that all other restrictions are removed before restarting.
- Check the fuse in the moulded plug.



This label positioned on the rear of your dryer, indicates the surface is hot when in operation – avoid touching.

**CAUTION
HOT SURFACE**



This appliance is marked according to the European Directive 2002/96/EC on Waste Electrical and Electronic Equipment (WEEE). This guideline is the frame of a European wide validity of return and Recycling on Waste Electrical and Electronic Equipment.



