



WDU125

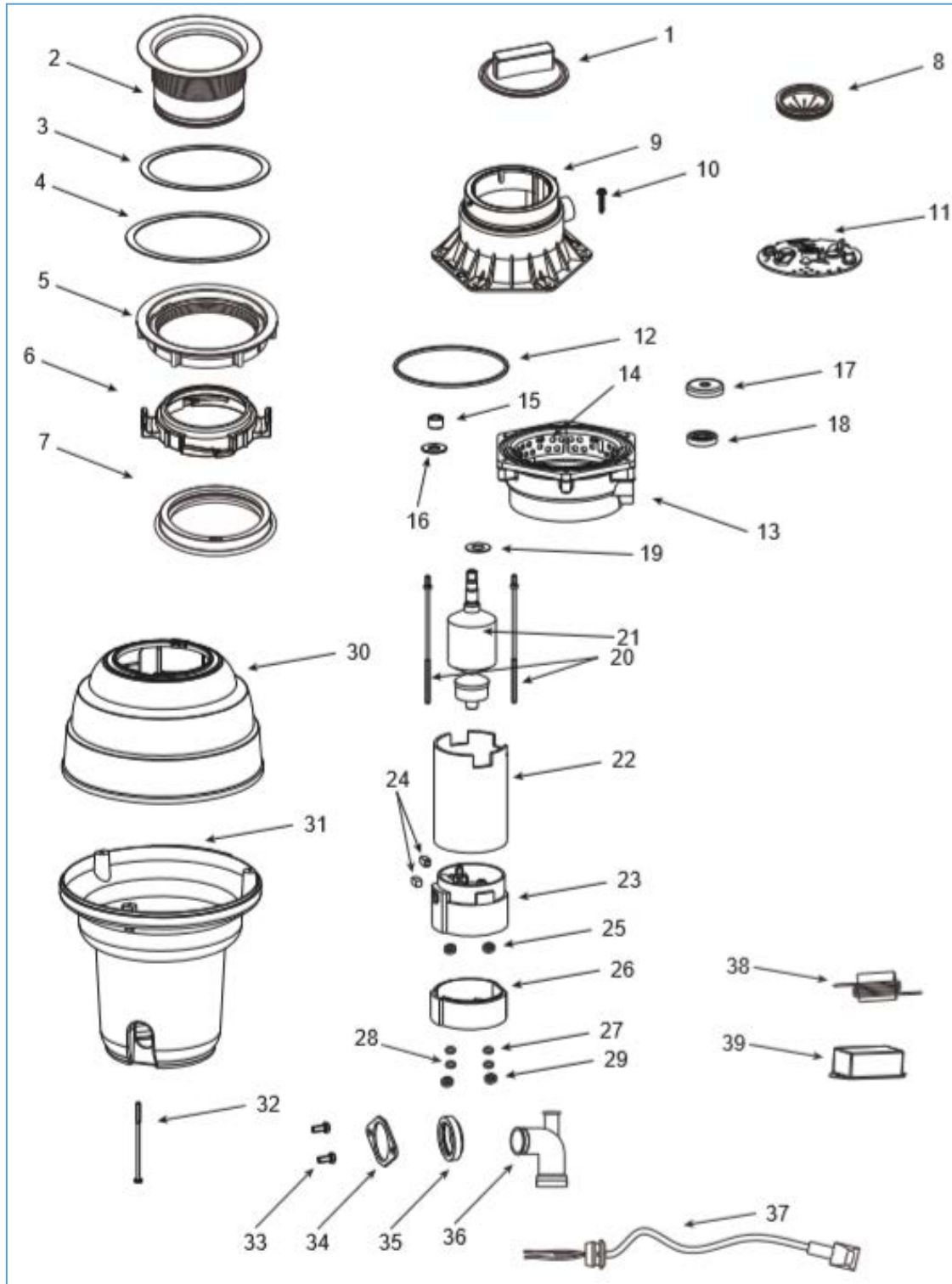
Caple Waste Disposal Unit 1.25hp

Technical Manual



WDU125

Caple Waste Disposal Unit 1.25hp





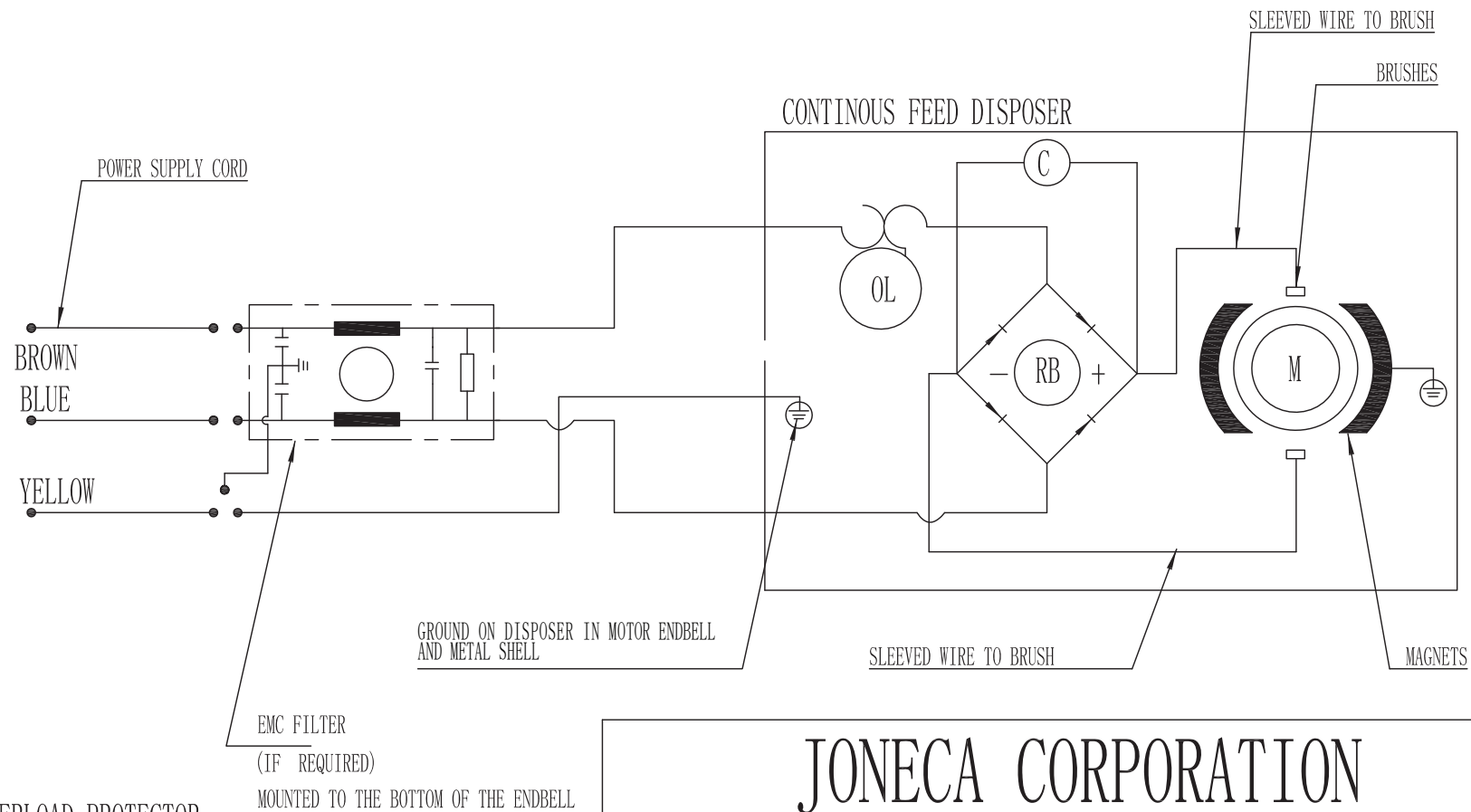
WDU125

Caple Waste Disposal Unit 1.25hp

Item	Part Number	Description
1	0001B-00-00	Stopper Assembly (HD/DX/PR)
2	0003A-01-00	Sink flange & Cap Assembly
3	0004A-00-00	Rubber Gasket
4	0005A-00-00	Fibre Gasket (Waxed)
5	0006A-00-00	Support Ring
6	0007A-00-00	Mount Ring
7	0008A-00-00	Cushion Mount Ring
8	0002A-00-00	Splash Guard
9	0009C-00-00	Hopper (HD/DX/PR)
10	0010A-00-00	Hopper Screw
11	0011B-00-00	Turntable Assembly-Upper End
12	0012B-00-00	O-Ring-6-Screw
13	0018B-01-00	Drain Housing-Upper End
14	0017B-00-00	Grind Ring-One Piece
15	0014A-00-00	Spacer Seal
16	0016A-00-00	Thrust Washer
17	0013A-00-00	Slinger
18	0015A-00-00	Water Seal
19	0019A-00-00	Retaining Washer
20	0021E-00-00	Motor Stud-1-1/4HP Disposer With PEEN

Item	Part Number	Description
21	0020I-00-00	Armature Assembly 220V, 1-1/4HP
22	0022C-00-00	Motor Shell Assembly-For 1-1/4HP Disposer
23	0023D-00-00	End bell Assembly
24	0024A-01-00	C-Brush
25	0027A-01-00	Nut
26	0026A-00-00	Plastic End bell Enclosure - Peen
27	0027A-02-00	Flat Washer
28	0027A-03-00	Spring Washer
29	0027A-01-00	Nut
30	0025D-00-00	Upper Shell-HD/DX/PR-Round
31	0028I-00-00	Lower Shell-PR-Round
32	0029C-01-00	Shell Screw-MD/HD/DX/PR
33	0030A-01-00	Outlet Screw
34	0031A-00-00	Outlet Flange
35	0033A-00-00	Rubber Outlet Gasket
36	0032B-00-00	Outlet Elbow-Smooth/White-40mm for CE
37	0034B-00-00	Power Cord-For UK
38	0036C-00-00	Magnet Ring
39	0036A-00-00	EMC filter

REVISIONS	
REV	DESCRIPTION



OL: THERMAL OVERLOAD PROTECTOR  
M: MOTOR-PERMANENT MAGNET  
RB: RECTIFIER BRIDGE  
C: CAPACITANCE  
—•—•—: JUNCTION

<h1>JONECA CORPORATION</h1>		
SCALE	APPROVED BY:	DRAWN BY: FRANK
DATE 2014 6 05	FRANK	REVIEW: FRANK
ELECTRICAL DIAGRAM-DISPOSER		
SIZE A	DRAWING NUMBER	