



WDU080

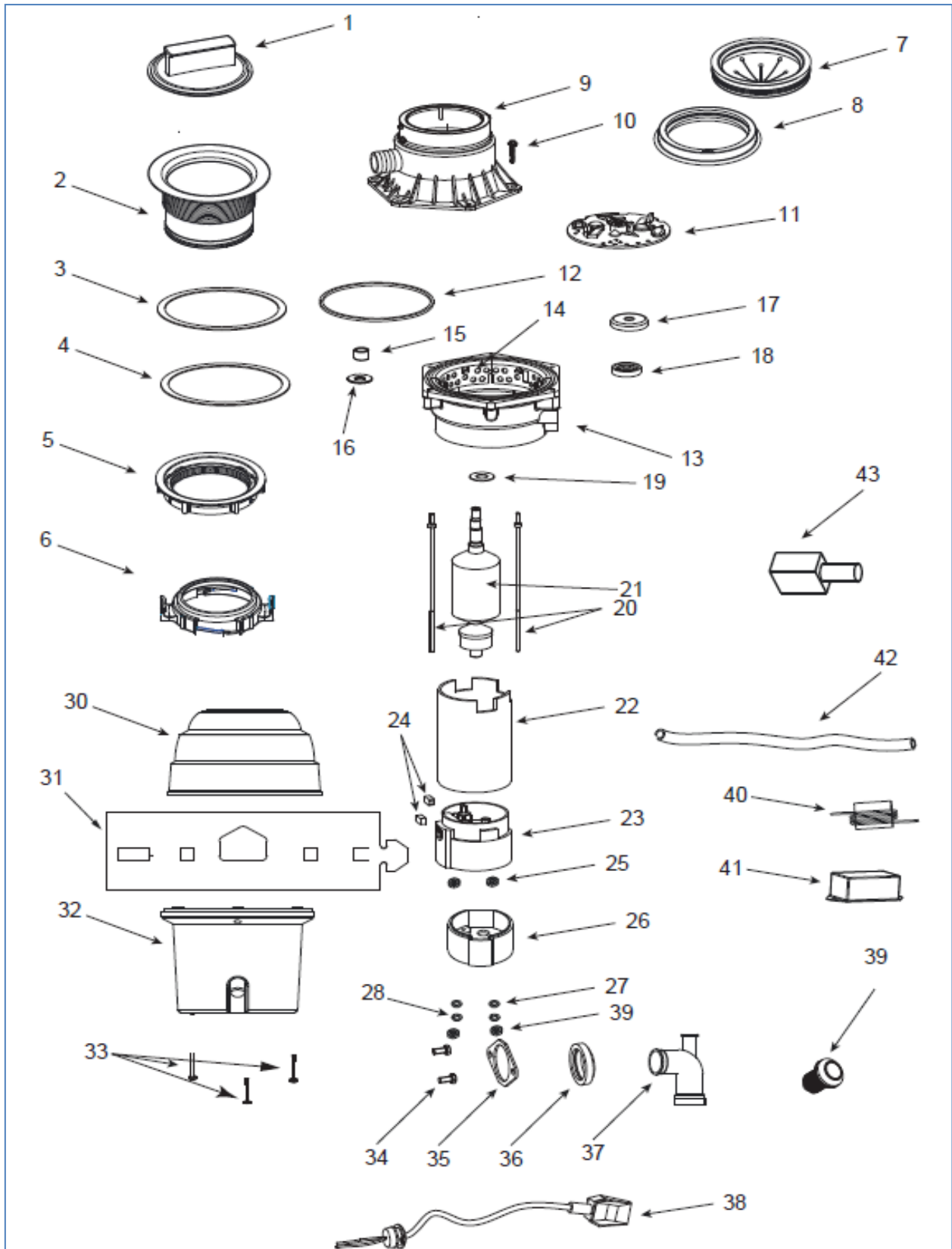
Caple Waste Disposal Unit 0.75hp

Technical Manual



WDU080

Caple Waste Disposal Unit 0.75hp





WDU080

Caple Waste Disposal Unit 0.75hp

Item	Part Number	Description
1	0001B-00-00	Stopper (HD/DX/PR)
2	0003A-01-00	Sink flange
3	0004A-00-00	Rubber gasket
4	0005A-00-00	Fibre gasket (Waxed)
5	0006A-00-00	Support Ring
6	0007A-00-00	Mount Ring
7	0002A-00-00	Splash guard
8	0008A-00-00	Cushion mount ring
9	0010A-00-00	Hopper screw
10	0009C-00-00	Hopper (HD/DX/PR)
11	0011B-00-00	Turntable Assembly-Upper End
12	0012A-00-00	O-Ring-6-Screw
13	0018B-01-00	Drain Housing-Upper End
14	0017B-00-00	Grind Ring-One Piece
15	0014A-00-00	Spacer Seal
16	0016A-00-00	Thrust Washer
17	0013A-00-00	Slinger
18	0015A-00-00	Water Seal
19	0019A-00-00	Retaining Washer
20	0021C-00-00	Motor Stud-3/4HP Disposer With PEEN
21	0020H-00-00	Armature Assy 220v, 3/4HP
22	0022B-00-00	Motor Shell Assy-For 3/4HP Disposer
23	0023C-00-00	Endbell Assy
24	0024A-01-00	C-Brush
25	0027A-01-00	Nut
26	0026D-00-00	Plastic Endbell Enclosure for Air Switch
27	0027A-02-00	Flat Washer
28	0027A-03-00	Spring Washer
29	0027A-01-00	Nut
30	0025D-00-00	Upper shell - HD/DX/PR - Round
31	0035B-00-00	Insulation foam - HD/DX/PR
32	0028H-00-00	Lower shell - DX - Round
33	0029C-00-00	Shell Screw-MD/HD/DX/PR
34	0030A-01-00	Outlet Screw
35	0031A-00-00	Outlet Flange



WDU080

Caple Waste Disposal Unit 0.75hp

Item	Part Number	Description
36	0033A-00-00	Rubber Outlet Gasket (38 mm & 40 mm)
37	0032B-00-00	Outlet Elbow-Smooth/White-40mm for CE
38	0034B-00-00	Power Cord-For UK
39	0048E-00-00	Push Button-5G
40	0036C-00-00	Magnet Ring
41	0036A-00-00	EMC Filter
42	0047B-00-00	Air switch tube
43	0046D-00-00	Air switch