



WDU060

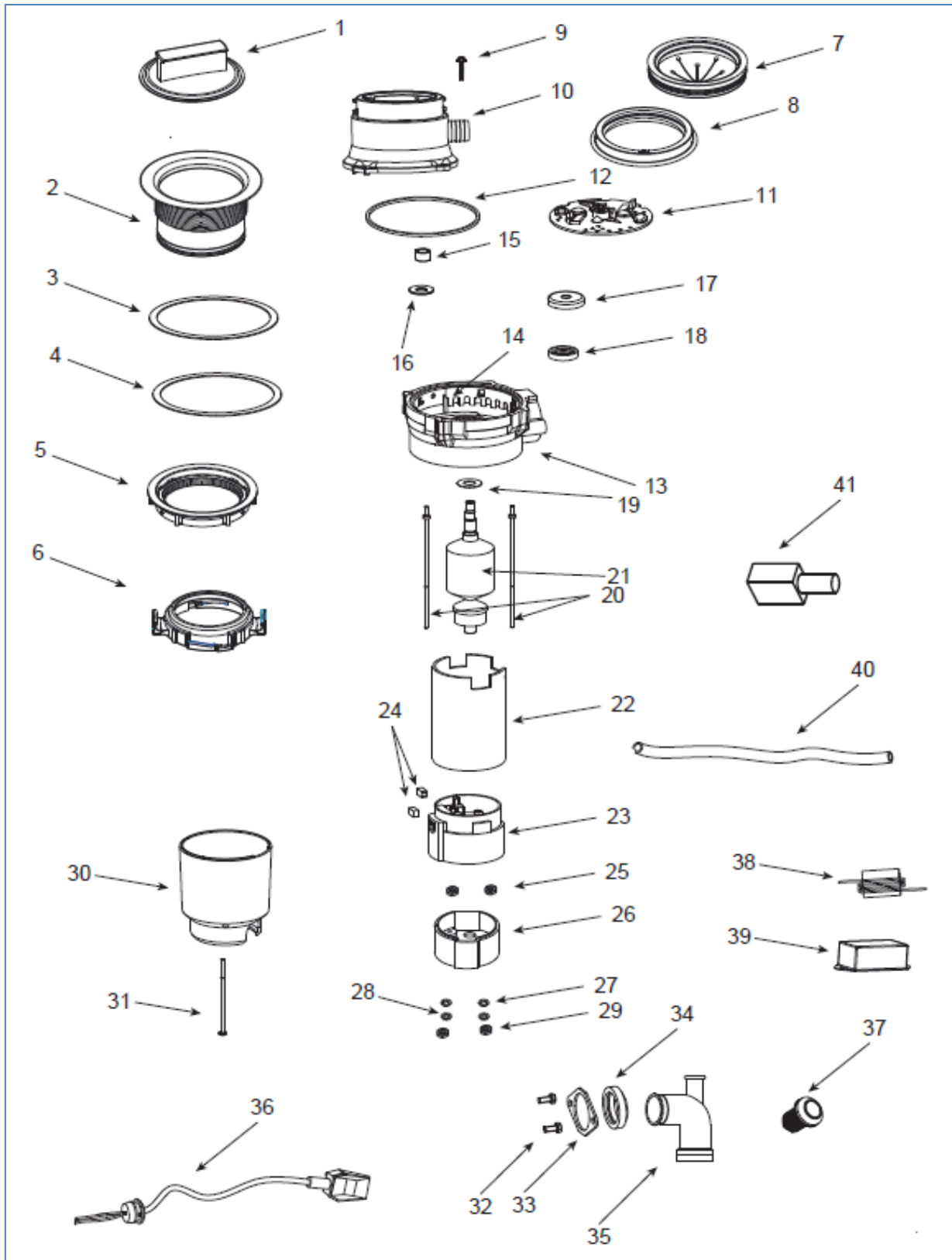
Caple Waste Disposal Unit 0.5hp

Technical Manual



WDU060

Caple Waste Disposal Unit 0.5hp





WDU060

Caple Waste Disposal Unit 0.5hp

Item	Part Number	Description
1	0001A-00-00	Stopper (EC/ST/MD)
2	0003A-01-00	Sink flange
3	0004A-00-00	Rubber gasket
4	0005A-00-00	Fibre gasket (Waxed)
5	0006A-00-00	Support Ring
6	0007A-00-00	Mount Ring
7	0002A-00-00	Splash guard
8	0008A-00-00	Cushion mount ring
9	0010A-00-00	Hopper screw
10	0009A-00-00	Hopper (EC/ST)
11	0011A-00-00	Turntable Assembly-Lower End
12	0012A-00-00	O-Ring-4-Screw
13	0018A-01-00	Drain Housing-Lower End
14	0017A-00-00	Grind Ring-Two Pieces
15	0014A-00-00	Spacer Seal
16	0016A-00-00	Thrust Washer
17	0013A-00-00	Slinger
18	0015A-00-00	Water Seal
19	0019A-00-00	Retaining Washer
20	0021A-00-00	Motor Stud-1/2HP Disposer With PEEN
21	0020G-00-00	Armature Assy 220v, 1/2HP
22	0022A-00-00	Motor Shell Assy-For 1/2HP Disposer
23	0023C-00-00	Endbell Assy
24	0024A-01-00	C-Brush
25	0027A-01-00	Nut
26	0026D-00-00	Plastic Endbell Enclosure for Air Switch
27	0027A-02-00	Flat Washer
28	0027A-03-00	Spring Washer
29	0027A-01-00	Nut
30	0028B-00-00	Lower Shell-ST-Square
31	0029B-00-00	Shell Screw-ST
32	0030A-01-00	Outlet Screw
33	0031A-00-00	Outlet Flange



WDU060

Caple Waste Disposal Unit 0.5hp

Item	Part Number	Description
34	0033A-00-00	Rubber Outlet Gasket (38 mm & 40 mm)
35	0032B-00-00	Outlet Elbow-Smooth/White-40mm for CE
36	0034B-00-00	Power Cord-For UK
37	0048E-00-00	Push Button-5G
38	0036C-00-00	Magnet Ring
39	0036A-00-00	EMC Filter
40	0047B-00-00	Air switch tube
41	0046D-00-00	Air switch