



WMD1354

Caple Warming drawer 140mm

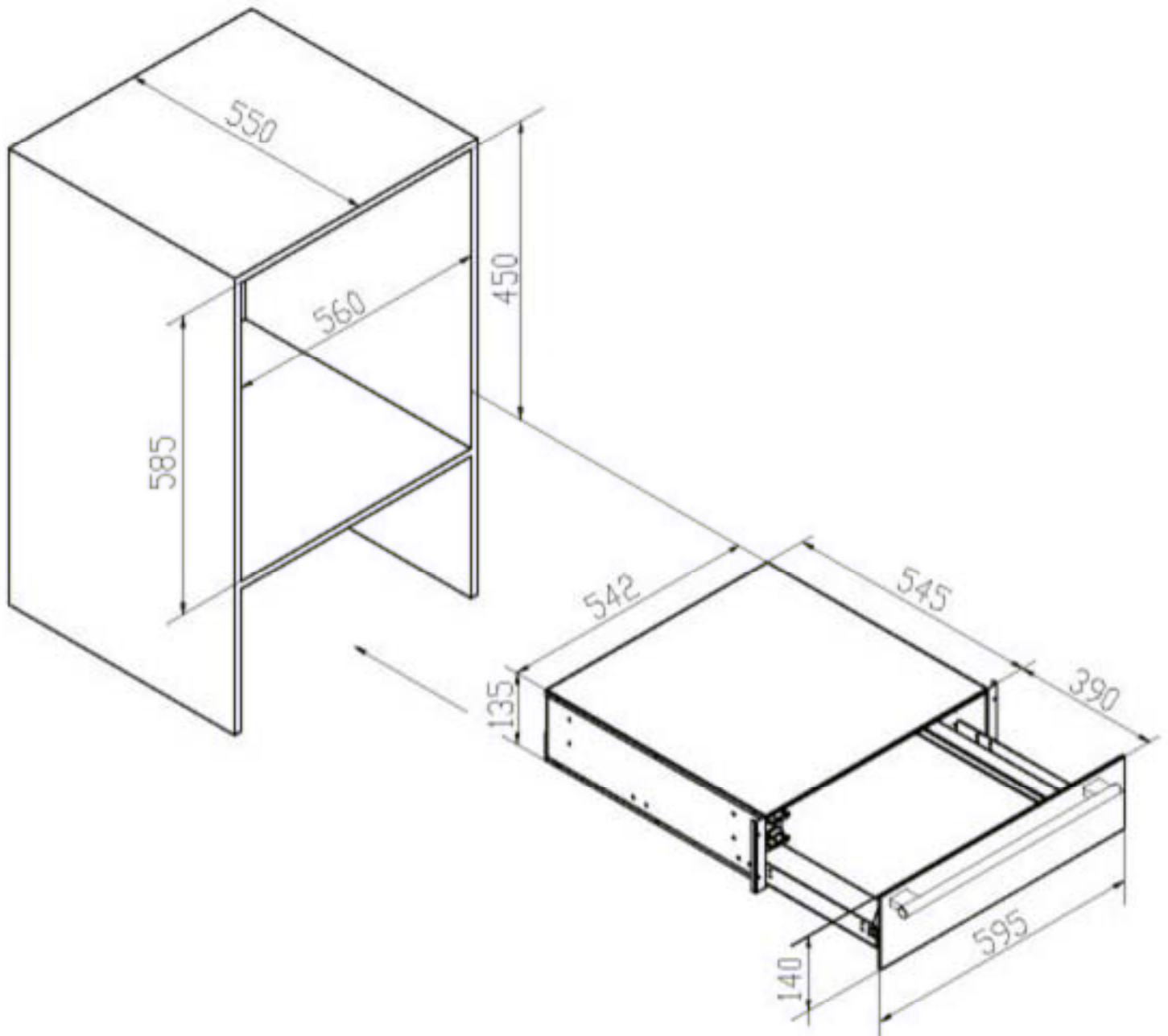


TECHNICAL INFORMATION



WMD1354

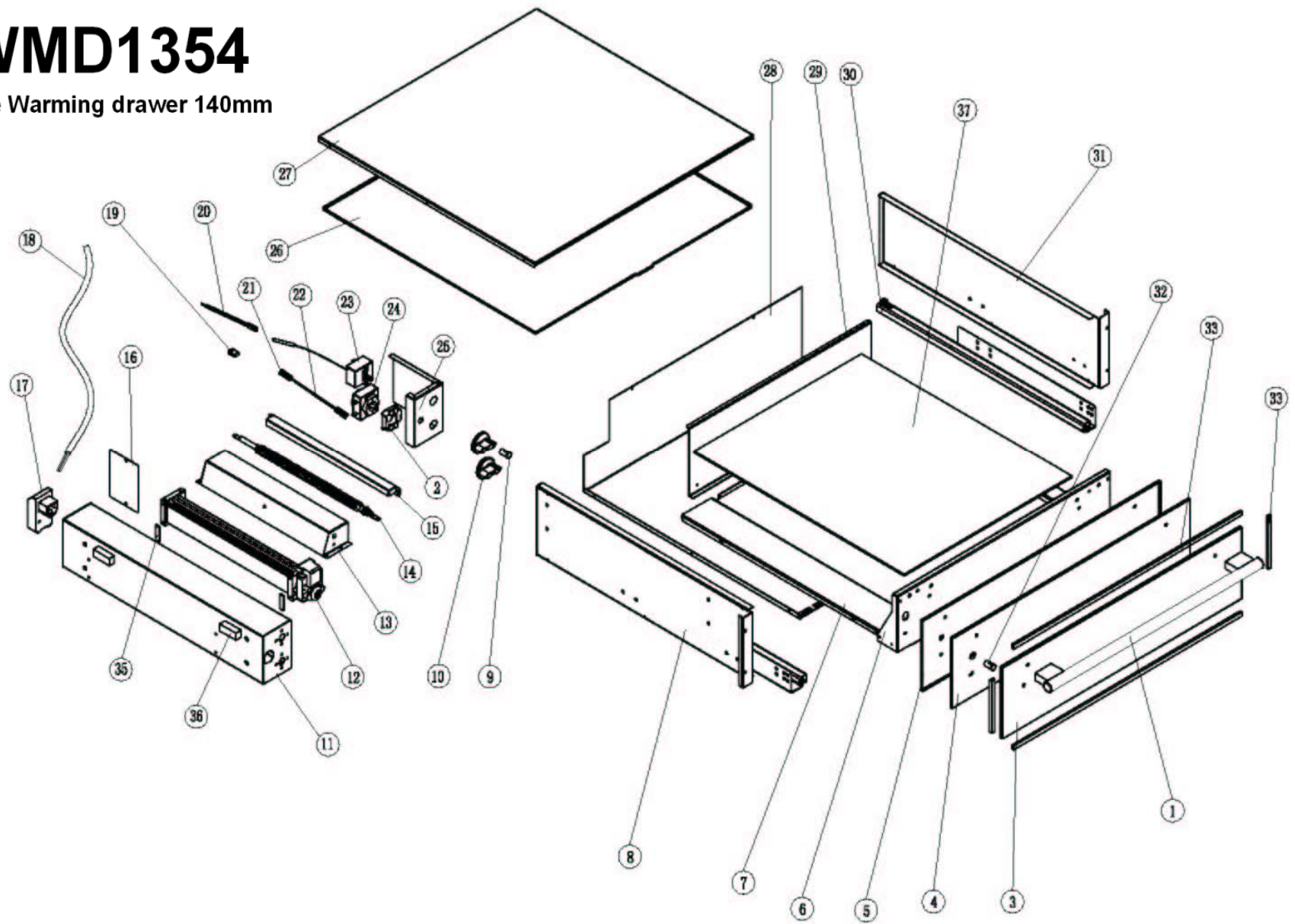
Caple Warming drawer 140mm





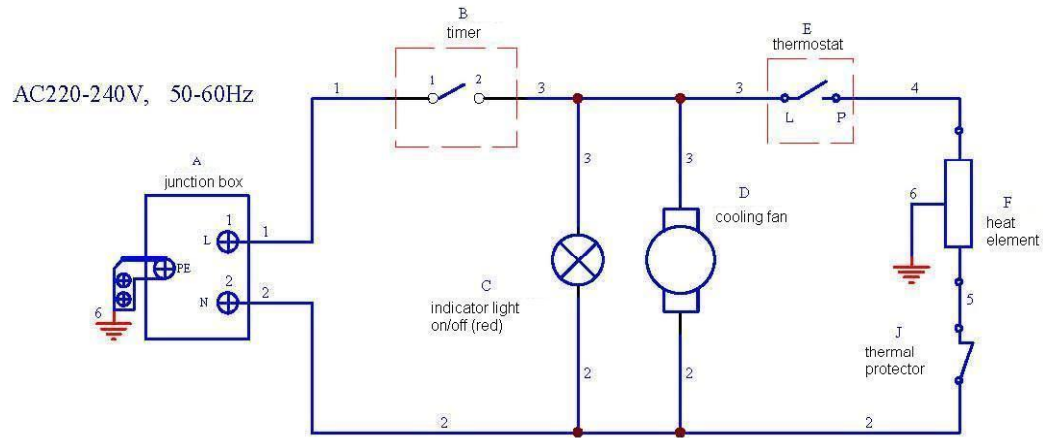
WMD1354

Caple Warming drawer 140mm



Item NO.	Part name	Material	Qtys	Item NO.	Part name	Material	Qtys
1	Handle	S.S	1	2	Timer bracket	zinc	1
3	Outer door panel	430# s/s	1	4	MDF for panel	MDF	1
5	Inner door panel	cold board	1	6	front panel	cold board	1
7	bottom panel	cold board	1	8	Side panel	cold board	1
9	Indicate light		1	10	Knob	assembly parts	2
11	Electronic box	zinc	1	12	cooling Motor	assembly parts	1
13	Heat element bracket	zinc	1	13	heat element	assembly parts	1
15	air deflector	zinc	1	16	Electronic box cover	430# s/s	1
17	Power box	assembly parts	1	18	cable	assembly parts	1
19	clamp	430# s/s	1	20	thermostat	assembly parts	1
21	wire connecting terminal	assembly parts	9	22	Inner wires	assembly parts	
23	Mechanical temperature control	assembly parts	1	24	Timer	assembly parts	1
25	control panel	430# s/s	1	26	top insulation panel of case	assembly parts	1
27	top cover for case	cold board	1	28	bottom panel of case	cold board	1
29	back panel	cold board	1	30	telescopic runner	cold board	2
31	right said panel	cold board	1	32	light cover	pc	1
33	long seal sponge	sponge	2	34	short seal sponge	sponge	2
35	antivibration pad	sponge	2	36	fiber mat	fiber	1

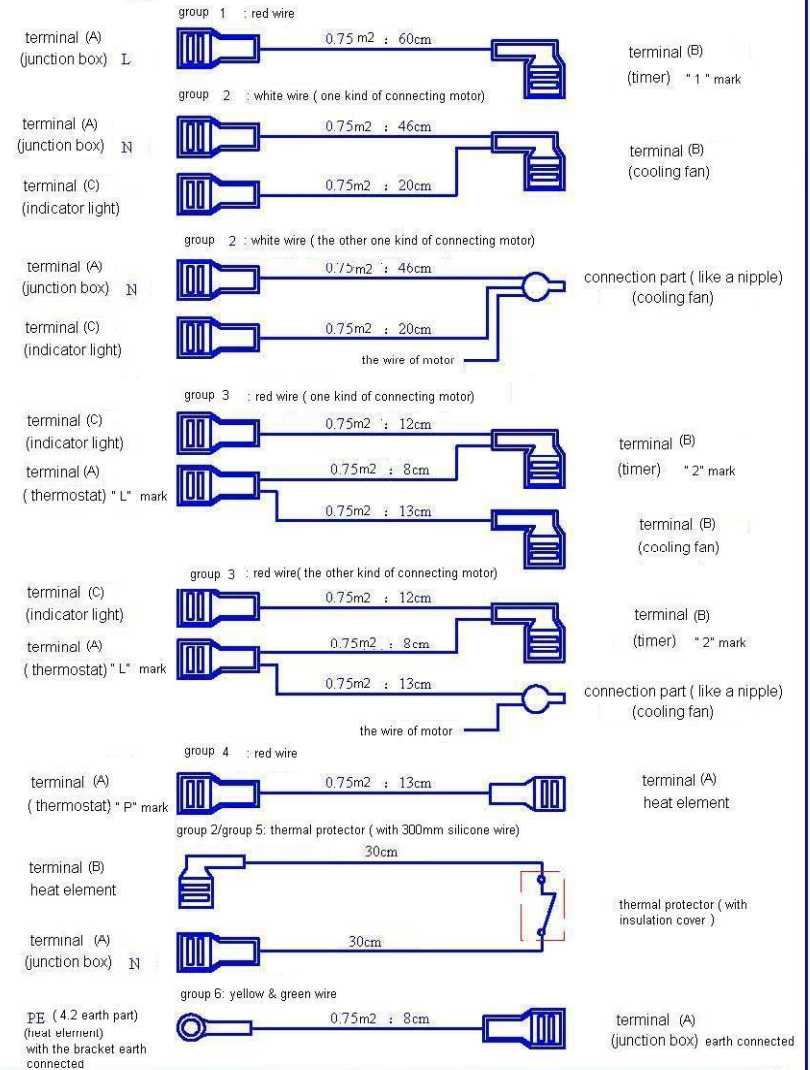
circuit diagram for warming drawer



code	part name	220V power (W)	230V power (W)	240V power (W)	230V standard resistance (Ω)	230V/50Hz standard resistance (W)
A	junction box (400V/16A 2.5 T110)	/	/	/	/	/
B	90min timer (AC250V 16A T125)	/	/	/	/	/
C	indicator light on/off (red) (230V)	/	/	/	/	/
D	cooling fan (AC230V/50Hz 13W)	11	13	15	/	/
E	thermostat (30°C-70°C 16(3)A 250V~50/60Hz)	/	/	/	/	/
F	heat element (AC230V/50Hz 400W)	366	400	436	119~139	360~420
J	thermal protector (KW-105°C5A)	/	/	/	/	/

Remark: There are 2 kinds of connecting motor.

wiring diagram for warming drawer



part list										
group	color	specification	length (cm)	terminal (A)	cover for (A)	terminal (B)	cover for (B)	terminal (C)	cover for (C)	4.2earth
1	red	silicone, 0.75m2	60	1	1	1	1	/	/	/
2	white	silicone, 0.75m2	66	1	1	1	1	1	1	/
3	red	silicone, 0.75m2	33	1	1	2	2	1	1	/
4	red	silicone, 0.75m2	13	2	1	/	/	/	/	/
2/5	brown	thermal protector	30	1	1	1	/	/	/	/
6	yellow/green	silicone, 0.75m2	8	1	/	/	/	/	/	1
total			180	7	5	5	4	2	2	1

the terminal without cover
 the terminal with cover
 the terminal without cover
 the terminal with cover