

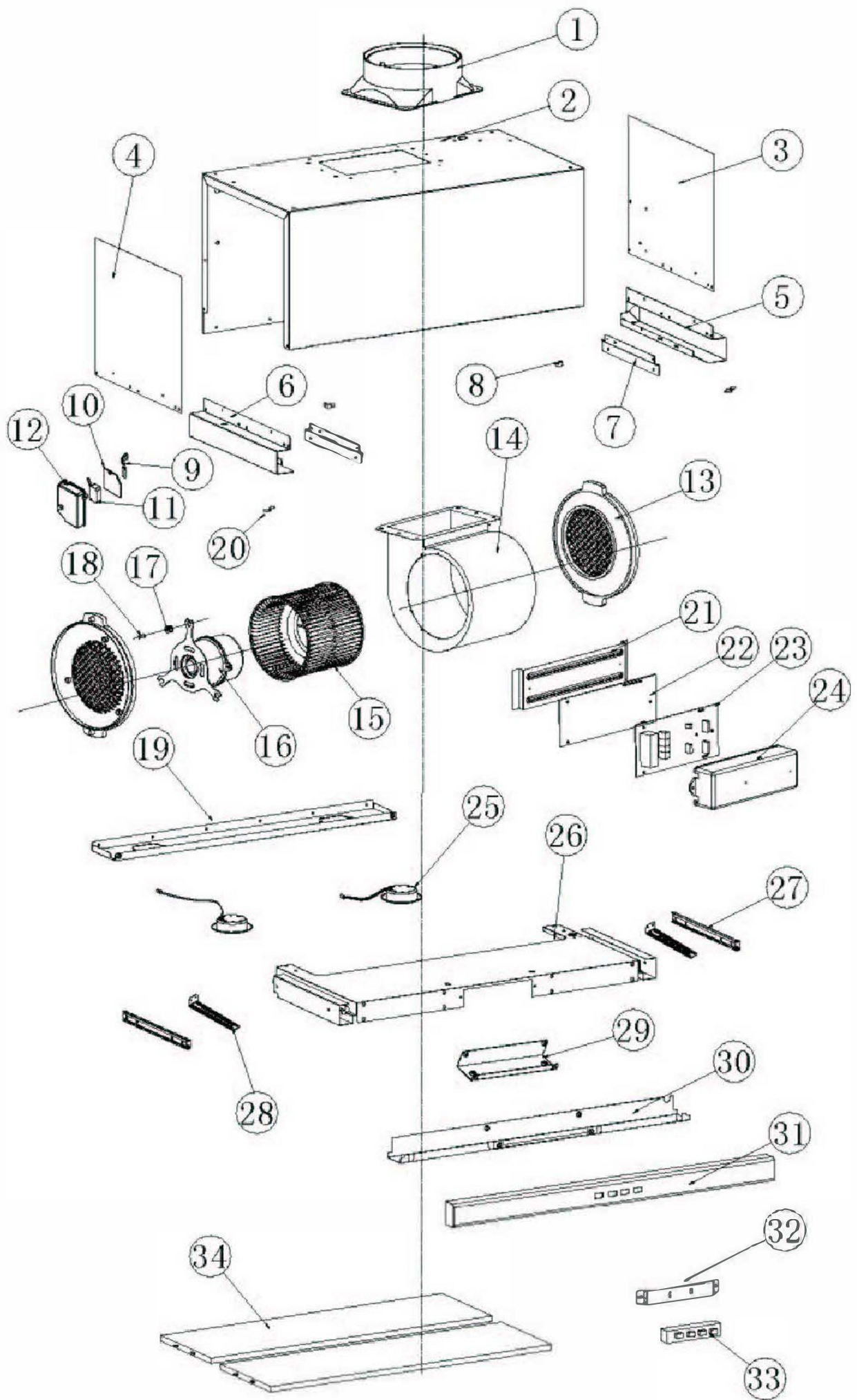


TSCH

Caple Telescopic cooker hood



Technical information





TSCH - Caple Telescopic cooker hood

No.	Part no	Part name	Qty
1	ATO002	Outlet	1
2	ATC60032	Casing	1
3			
4			
5	ATR60035	Right wing	1
6	ATR60036	Left wing	1
7	ATG60037	Gasket for orbit	1
8	ATF60038	Fixation for wire	1
9	ATIH60039	Inducted handel	1
10	ATIS600310	Insulative slice	1
11	ATIB600311	Inductor switch box	1
12	ATI600312	Inductor box	1
13	AYS06116	Grid	2
14	AYW06520	Blower	1
15	AYS06045	Impeller	1
16	1020090902S100	Motor	1
17	ATSM001	Shockproof mat	2
18	ATCC001	Copper core	4
19	ATLB600319	Light board	1
20	ATSS600320	Spring slice	1
21	ATPCBB600321	PCB box bracket	1
22	AYS06122	PCB box	1
24			
23	AYD06217PB	PCB board	1
25	KL04	Light	2
26	ATSB600326	Slided board	1
27	ATO600327	Orbit	2
28	ATLPP600328	Limited place panel	1
29	ATSCB600329	Switch cover bracket	1
30	ATSC600330	Switch cover	1
31	ATFS600331	Front SS bar	1
32	ATSB600332	Switch bracket	1
33	AYD-004	Switch	1
34	ATF600227	Filter	2
35	ATFK6003	Fitting Kit	1

