



CGI910

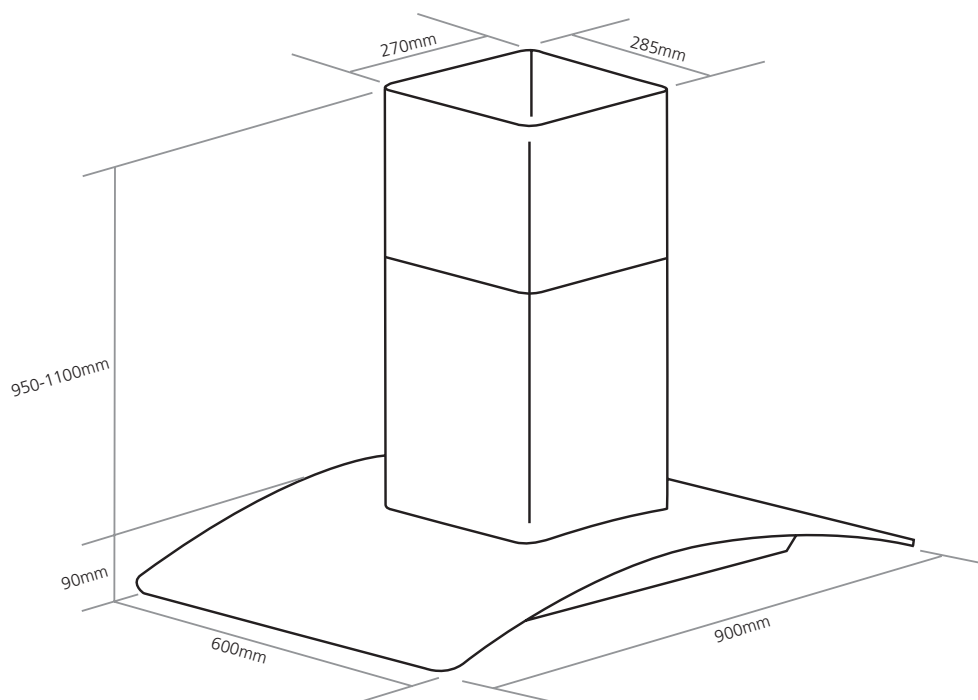
Caple Curved Glass Island hood



Technical information

Product installation diagrams

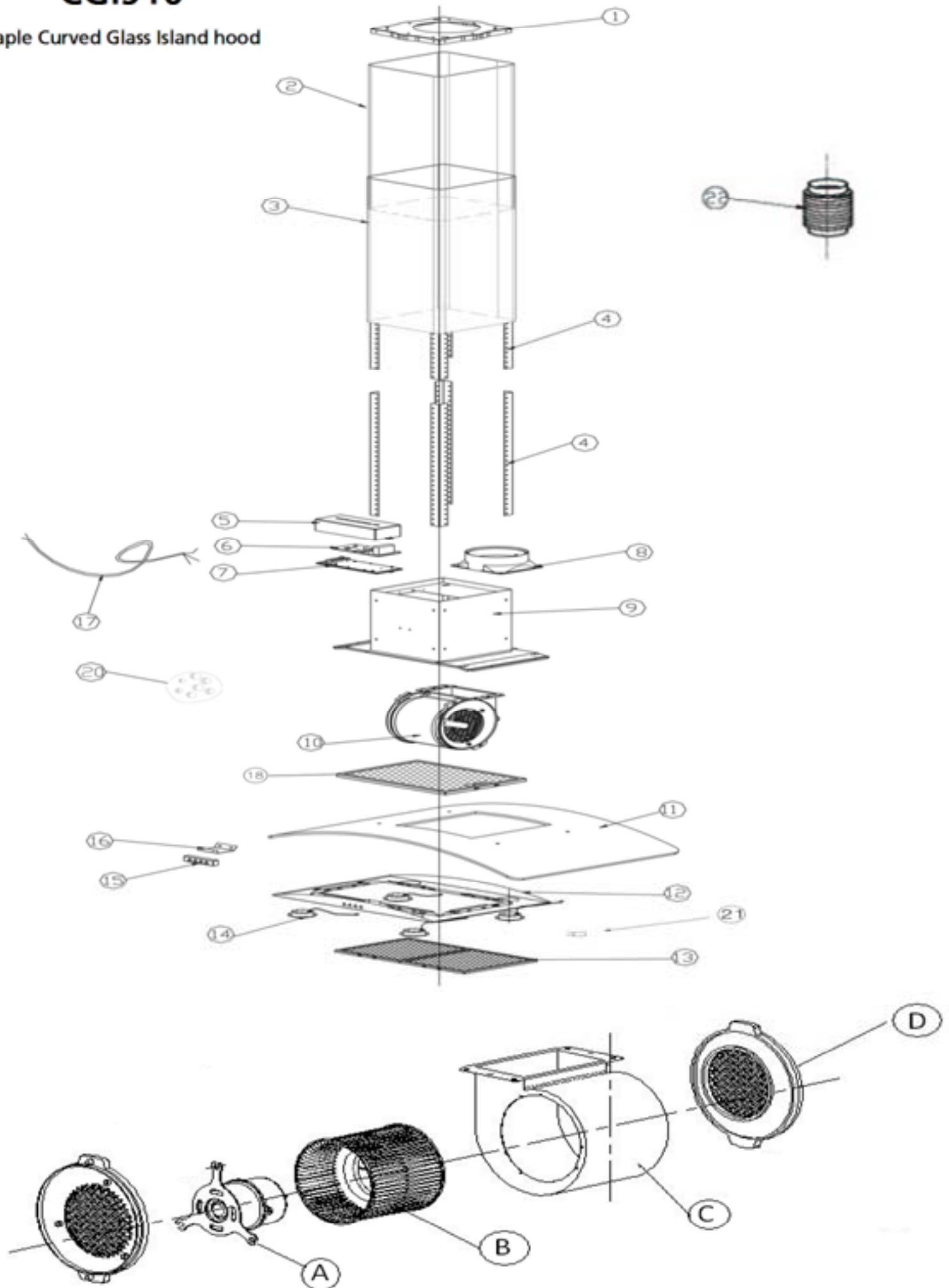
Models:
CGi910



All hoods to be installed min. 700mm from hob, providing hob output does not exceed 11kW

CGI910

Caple Curved Glass Island hood





CGI910 - Caple Curved Glass Island hood

Item	Part Code	Description	Qty
1	02300610320617CO	Hanging board	1
2	0210388CS50311CO	Inside chimney	1
4	0270388CS50005CO	Corner iron	8
3	0210388CS50301CO	Outside chimney	1
5&7	AYS06122	PCB BOX	1
6	AYD06216	PCB board	1
8	AYS06118	outlet	1
9	0285388CS53300	Casing	1
17	AYD06118	Cable with plug	1
D	AYS06116	Grid	2
C	AYW06520	Blower	1
B	AYS06045	Impeller	1
A	1020090902S100	Motor(700m3/h air suction)	1
10	SYCMF03	Motor accessory	1
11	2000388CS53800	Glass	1
15	AYD-06302	Switch Assembly (electronic button)	1
12	0210388CS52001C10	Frame	1
14	KL04	halogen light	4
13	05502602305400	Filter	2
22	AYS06132	Extensible pipe	1
16	02310338804105CO	Switch bracket	1

